



US00D909973S

(12) **United States Design Patent**
Stockton et al.

(10) **Patent No.:** **US D909,973 S**

(45) **Date of Patent:** **** Feb. 9, 2021**

(54) **MOTOR HOUSING**

(71) Applicant: **ABB Schweiz AG**, Baden (CH)

(72) Inventors: **Christopher A. Stockton**, Greenville, TX (US); **Stephen Douglas Browne**, Shelby, NC (US)

(73) Assignee: **ABB Schweiz AG**, Baden (CH)

(**) Term: **15 Years**

(21) Appl. No.: **29/682,907**

(22) Filed: **Mar. 8, 2019**

(51) **LOC (13) Cl.** **13-02**

(52) **U.S. Cl.**
USPC **D13/122; D15/5**

(58) **Field of Classification Search**
USPC D15/1-5, 148; D13/112-114, 122, 184
CPC B60L 9/00; B60L 9/02; B60L 9/16; B60L 9/32; B60L 9/005; B60L 1/00; B60L 58/12; H02K 1/82; H02K 26/00; H02K 5/22; H02K 5/18; H02K 11/00; H02K 15/00; H02K 15/14; H02K 15/16; H02K 19/06; H02K 9/00; H02K 3/50; H02K 1/16; H02K 5/161

See application file for complete search history.

(56) **References Cited**

U.S. PATENT DOCUMENTS

D207,401 S *	4/1967	Andrews	D13/114
3,353,042 A *	11/1967	Baumann	H02K 9/14 310/57
D236,985 S *	9/1975	Baumann	D13/114
D245,499 S *	8/1977	Andreas	D13/112
4,839,547 A *	6/1989	Lordo	H02K 5/18 310/60 A
D325,560 S *	4/1992	Baines	D13/112
D332,081 S *	12/1992	Sieber	D13/112
5,630,461 A *	5/1997	CoChimin	B22C 9/046 164/34

D431,572 S *	10/2000	Antony	D15/5
D559,863 S *	1/2008	Bogner	D15/1
D576,941 S *	9/2008	Evon	D13/112
D652,844 S *	1/2012	Hanitsch	D15/7
D686,571 S *	7/2013	Hoyle	D13/114

(Continued)

OTHER PUBLICATIONS

World Wide Electric, Worldwide Electric PEWWE5-12-215T Motor-Rigid Base, (Apr. 29, 2020), Amazon.com URL:<<https://www.amazon.com/dp/B087VW6HCN/>> (Year: 2020).*

(Continued)

Primary Examiner — Sheryl Lane

Assistant Examiner — Mark T. Philipps

(74) *Attorney, Agent, or Firm* — Leydig, Voit & Mayer, Ltd.

(57) **CLAIM**

The ornamental design for a motor housing, as shown and described.

DESCRIPTION

FIG. 1 is a perspective view taken from the front, top, and right side of a motor housing in accordance with the new design.

FIG. 2 is a perspective view taken from the front, bottom and left side view of the motor housing of FIG. 1.

FIG. 3 is a rear view of the motor housing of FIG. 1.

FIG. 4 is a front view of the motor housing of FIG. 1.

FIG. 5 is a left side view of the motor housing of FIG. 1.

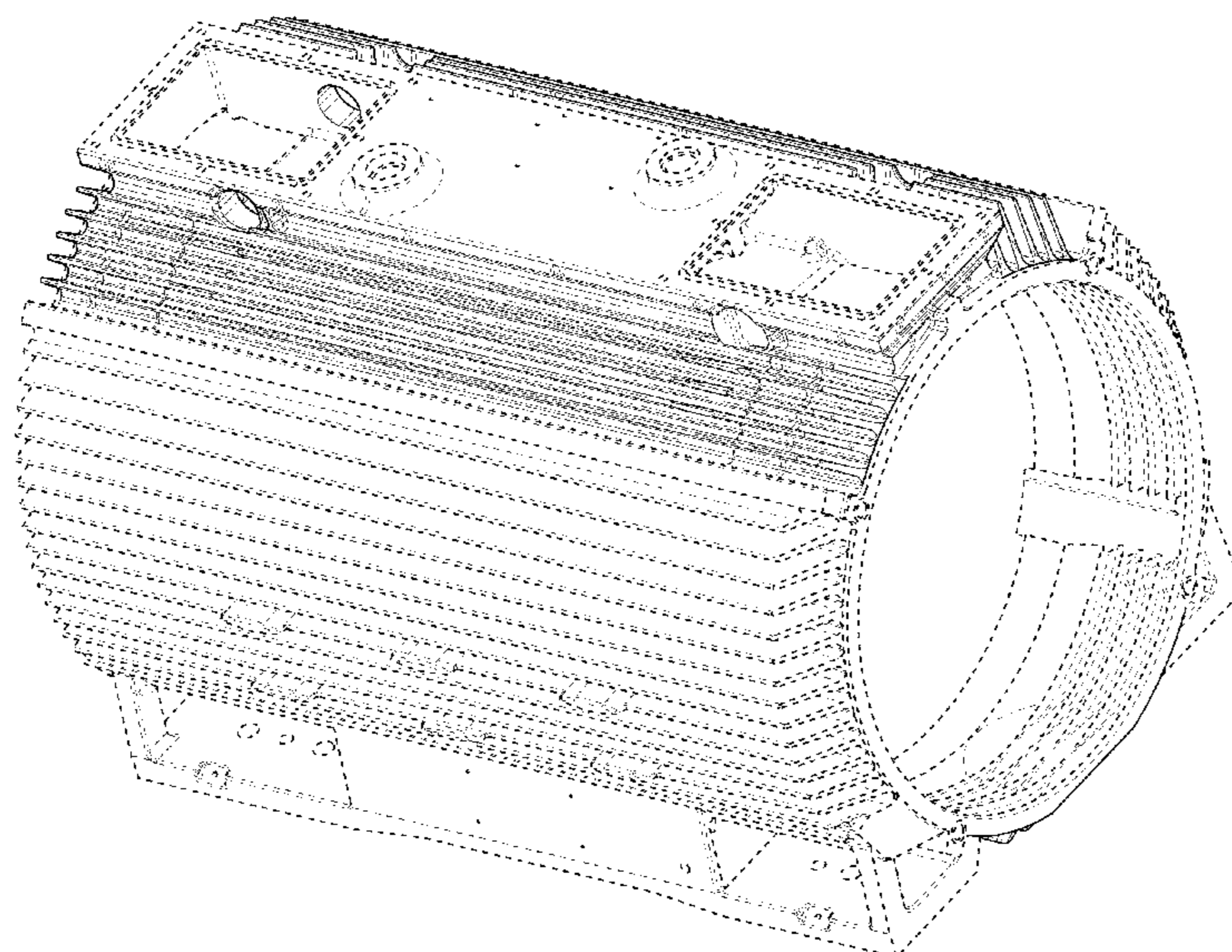
FIG. 6 is a right side view of the motor housing of FIG. 1.

FIG. 7 is a top plan view of the motor housing of FIG. 1; and,

FIG. 8 is a bottom plan view of the motor housing of FIG. 1.

The broken lines shown in the drawings illustrate portions of the motor housing that form no part of claimed design.

1 Claim, 8 Drawing Sheets



(56)

References Cited

U.S. PATENT DOCUMENTS

D707,629 S * 6/2014 Cocks D13/122
D716,227 S * 10/2014 Lau D13/112
D795,808 S * 8/2017 Mayor D13/122
2014/0140872 A1 * 5/2014 Stork F04B 17/03
417/410.1
2014/0265691 A1 * 9/2014 Minari H02K 5/225
310/91
2016/0329760 A1 * 11/2016 Major H02K 1/30
2017/0033639 A1 * 2/2017 Harris H02K 5/18
2020/0007003 A1 * 1/2020 Mattila H02K 5/24
2020/0161930 A1 * 5/2020 Takahashi H02K 9/22

OTHER PUBLICATIONS

Oil and Gas Product News, Siemens low-voltage motors tailored for chemical, petrochemical, oil and gas uses, (Jun. 13, 2018), Oilandgasproductnews.com URL:<<https://www.oilandgasproductnews.com/article/28427/siemens-low-voltage-motors-tailored-for-chemical-petrochemical-oil-and-gas-uses>> (Year: 2018).*

Siemens, SIMOTICS HV C flameproof, (site visited May 30, 2020), Seimens Website URL:<<https://new.siemens.com/global/en/products/drives/electric-motors/high-voltage-motors/simotics-hv-c-flameproof.html>> (Year: 2020).*

* cited by examiner

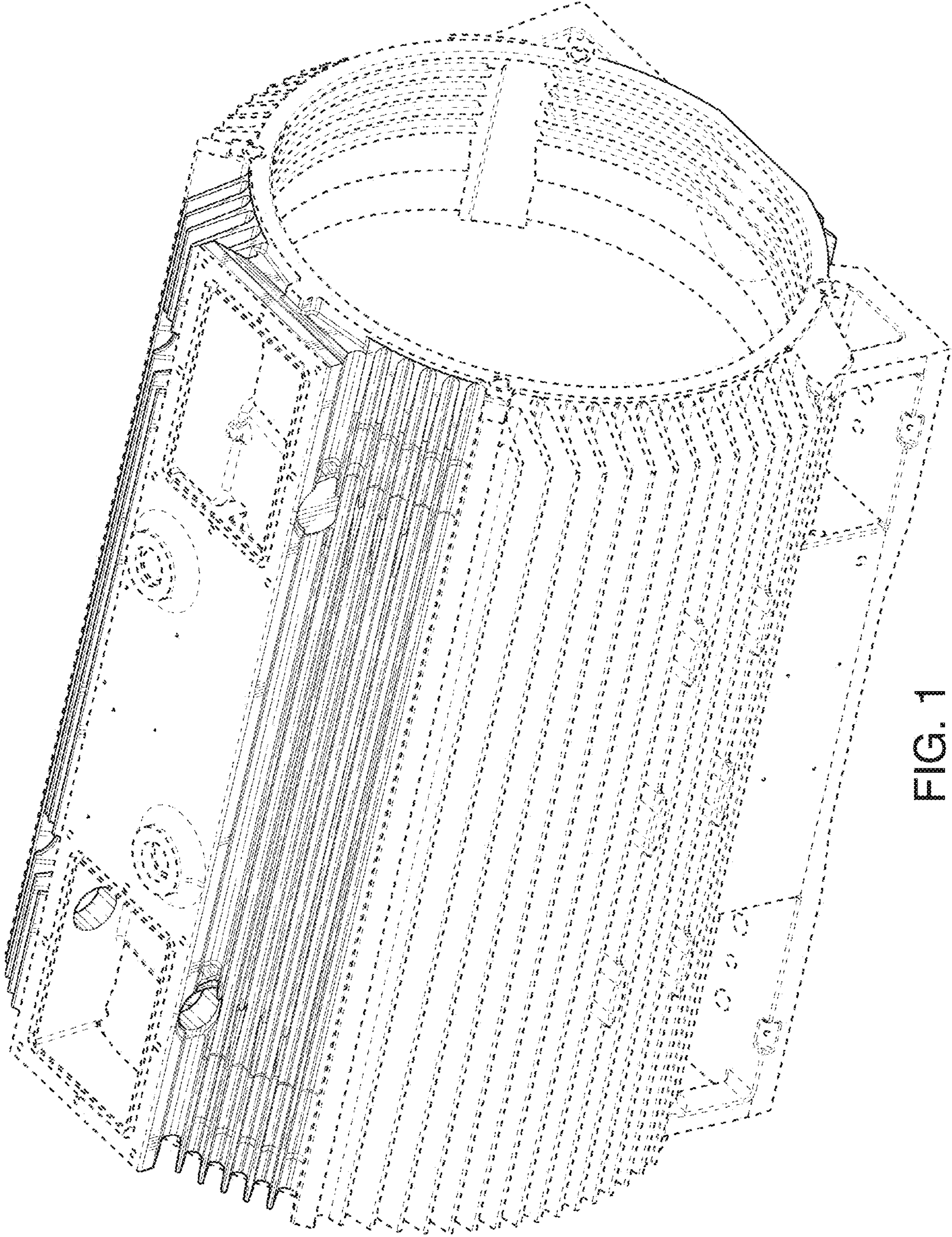


FIG. 1

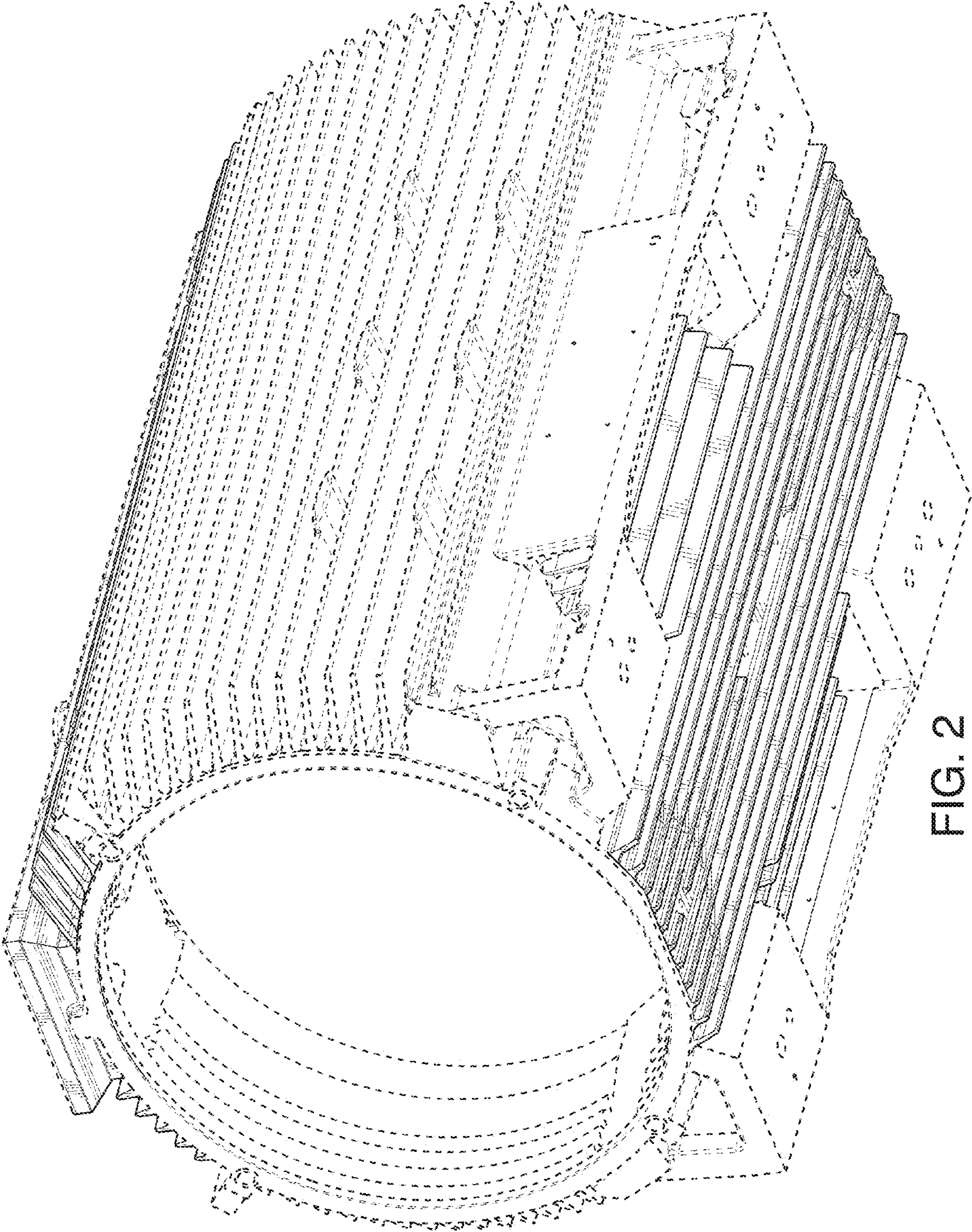


FIG. 2

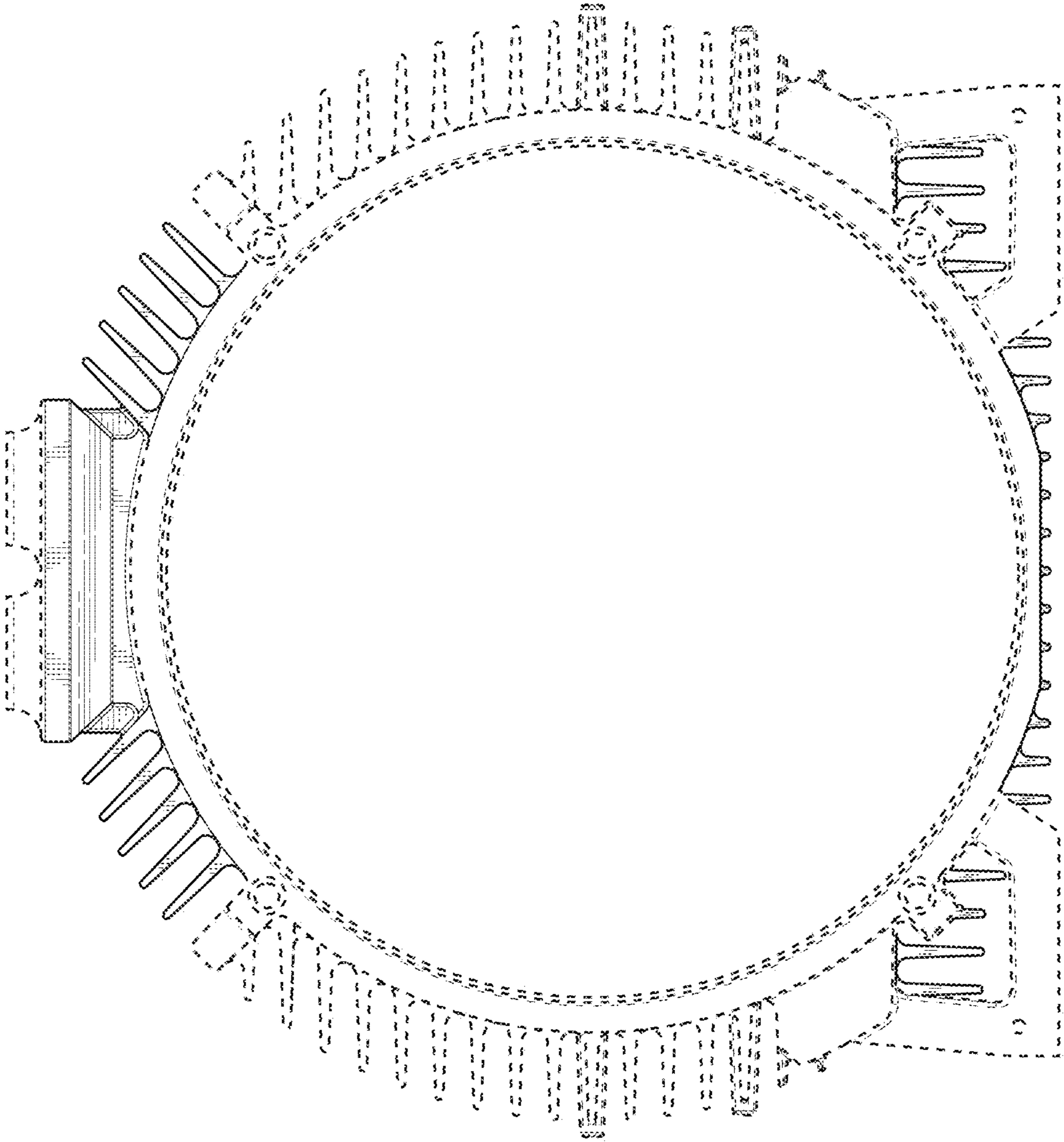


FIG. 3

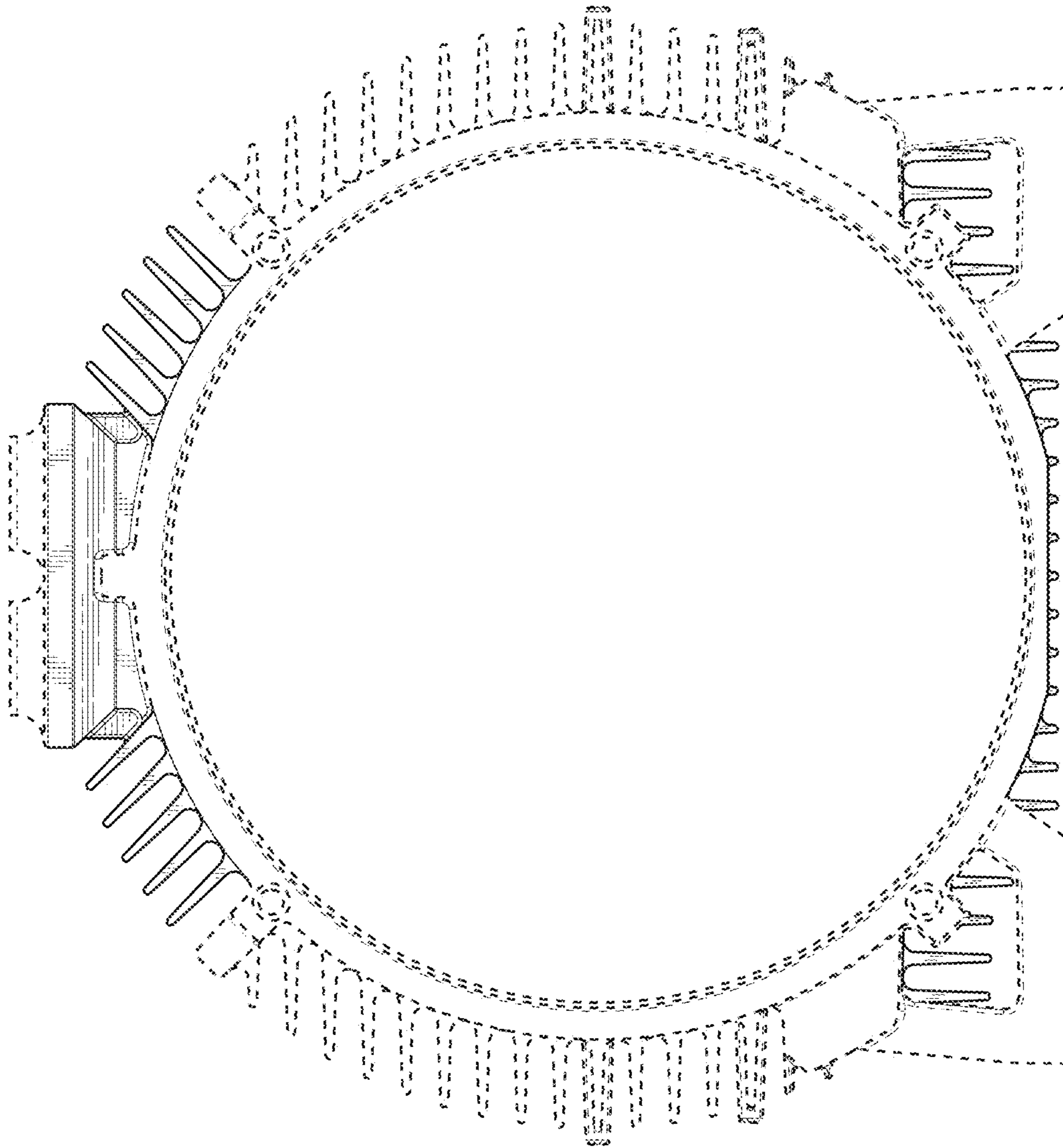


FIG. 4

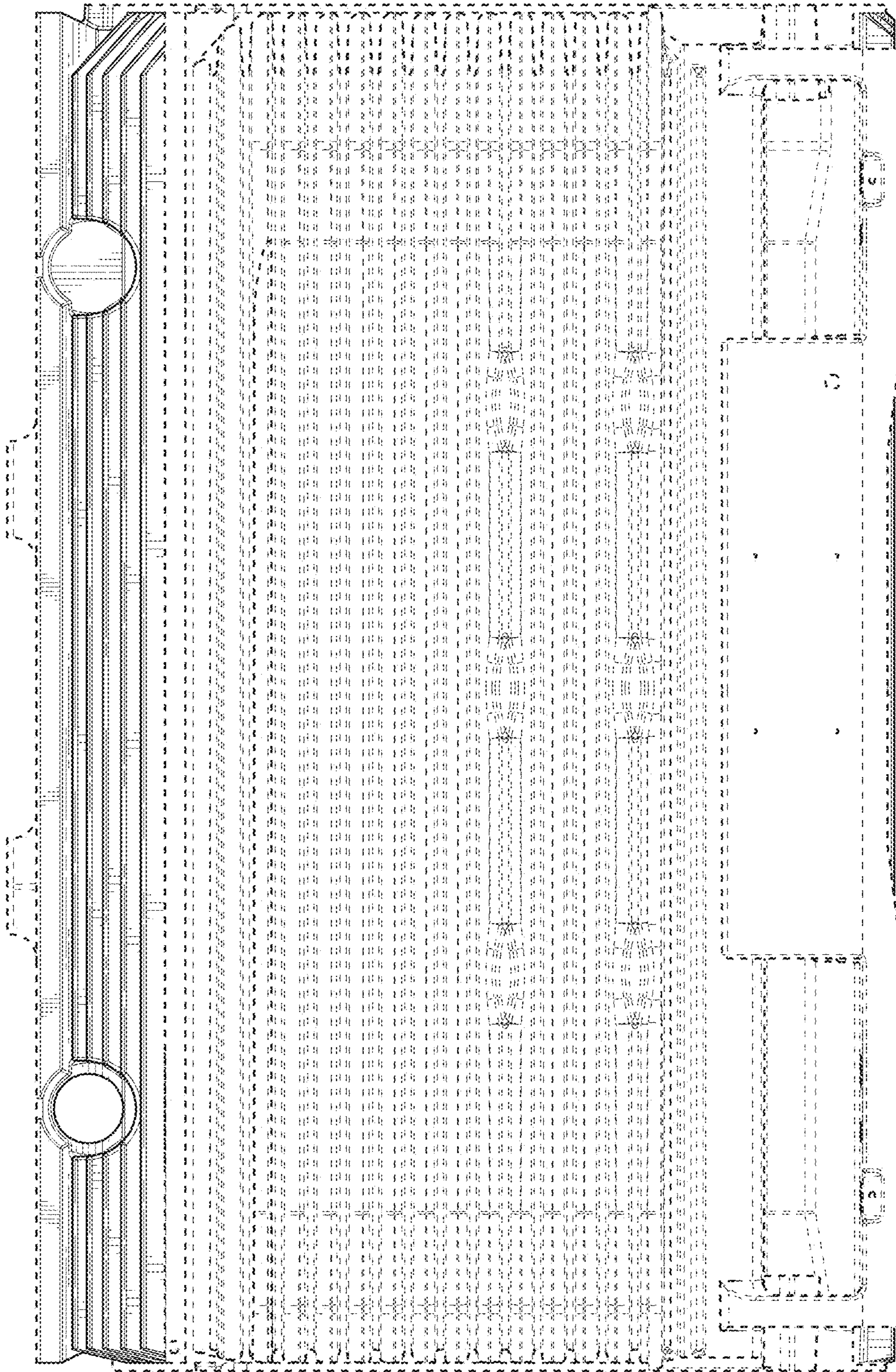


FIG. 5

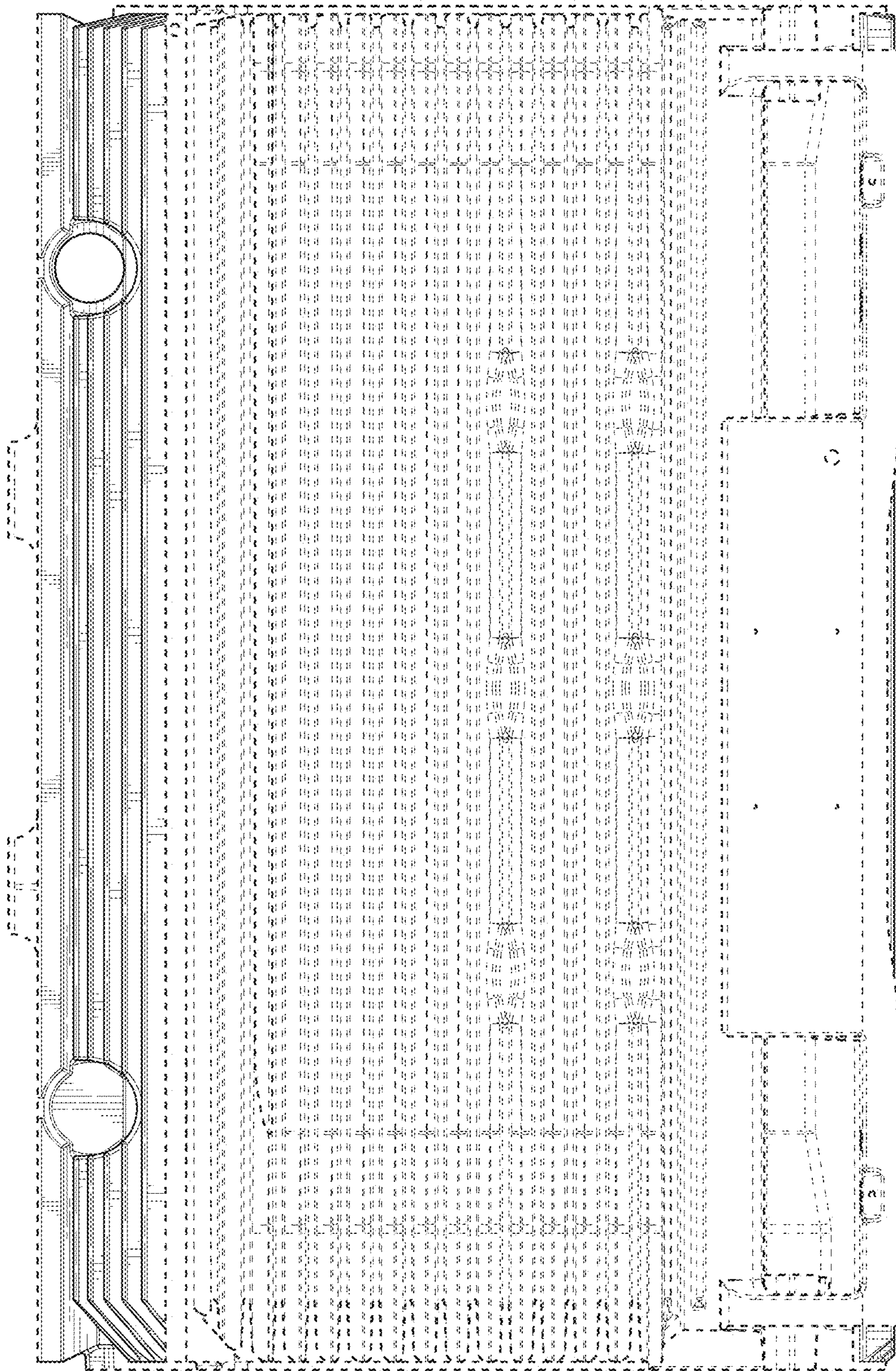


FIG. 6

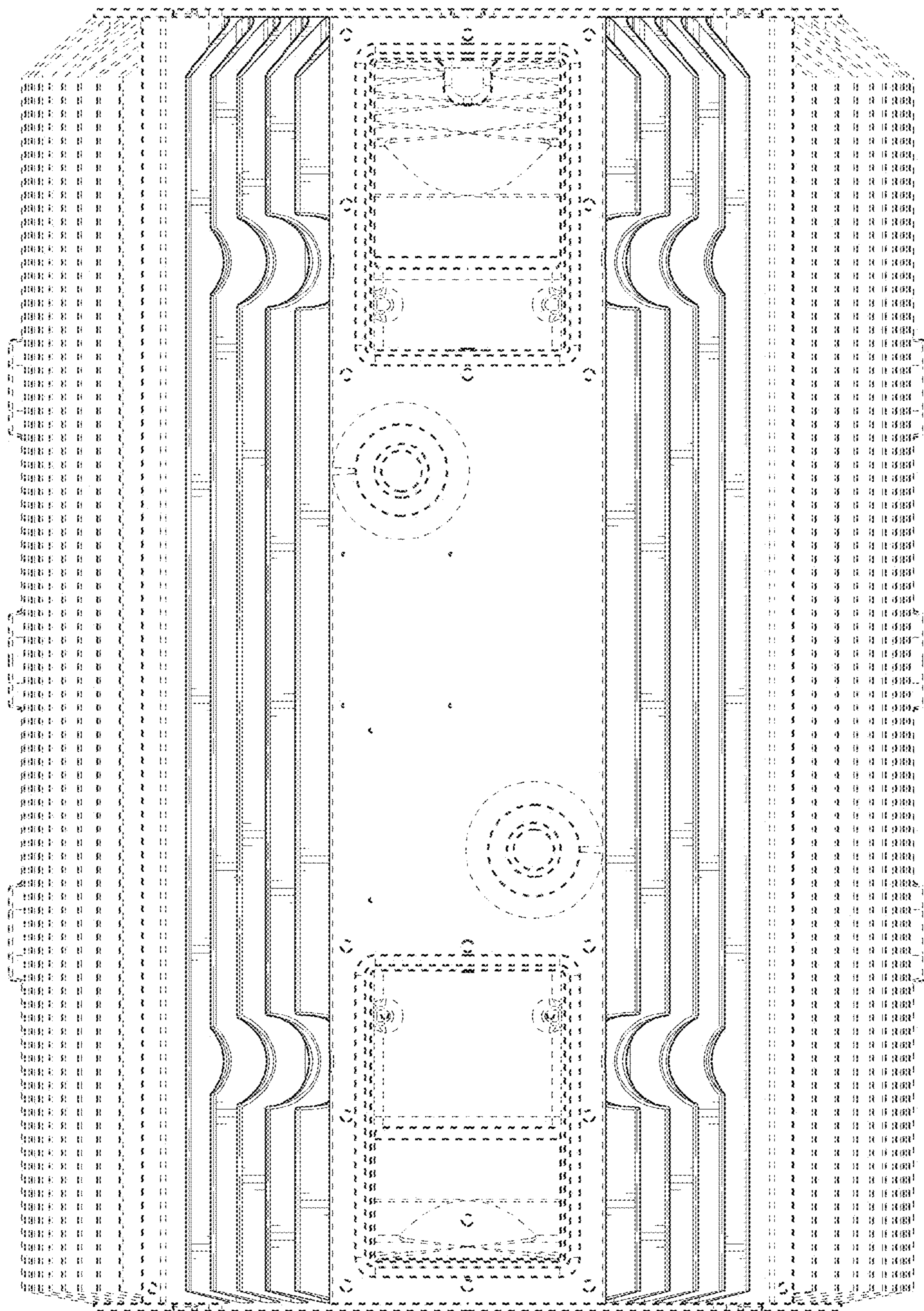


FIG. 7

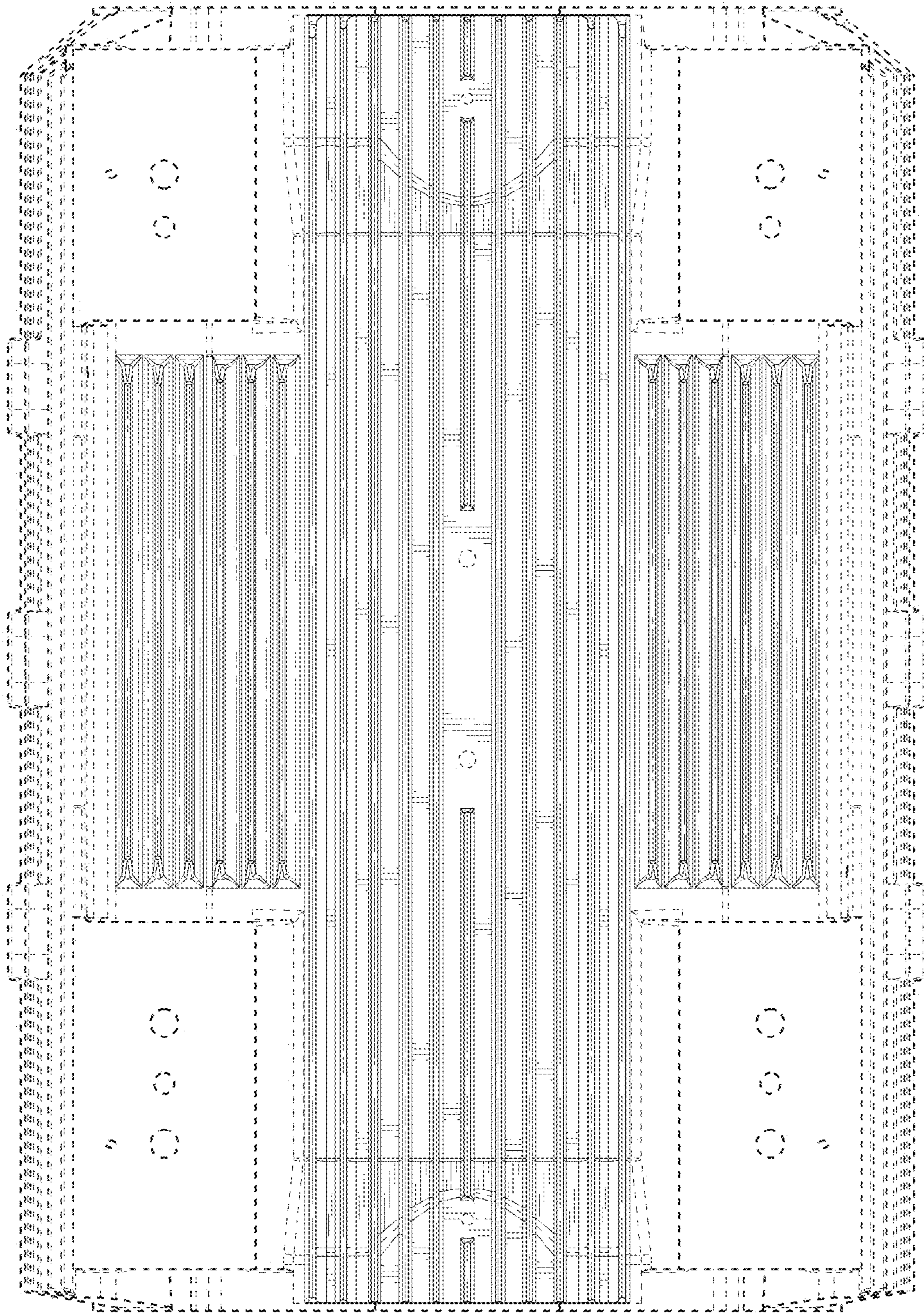


FIG. 8