



US00D909972S

(12) **United States Design Patent** (10) **Patent No.:** **US D909,972 S**
Hartung et al. (45) **Date of Patent:** **** Feb. 9, 2021**

(54) **WIND TURBINE**

(56) **References Cited**

(71) Applicant: **SP Power Farm Group Ltd.**,
Abbotsford (CA)

(72) Inventors: **Frank E. Hartung**, Surrey (CA);
Thomas B. Armstrong, Abbotsford
(CA); **Ronald Langner**, Coquitlam
(CA)

U.S. PATENT DOCUMENTS

4,457,666 A * 7/1984 Selman, Jr. F03D 3/0481
415/203

D511,323 S * 11/2005 Kato D13/115

D716,228 S * 10/2014 McCamley D13/115

8,961,103 B1 * 2/2015 Wolff F03D 3/0409
415/4.2

9,222,462 B2 12/2015 Armstrong

2002/0047276 A1 * 4/2002 Elder F03D 3/0427
290/55

2003/0209911 A1 * 11/2003 Pechler F03D 3/02
290/55

2004/0036297 A1 * 2/2004 John F03D 3/0409
290/55

2008/0131281 A1 * 6/2008 Kariya F03D 3/0427
416/183

(73) Assignee: **SP POWER FARM GROUP LTD.**,
Abbotsford (CA)

(**) Term: **15 Years**

(21) Appl. No.: **29/670,833**

(22) Filed: **Nov. 20, 2018**

(51) **LOC (13) Cl.** **13-01**

(52) **U.S. Cl.**
USPC **D13/115**

(58) **Field of Classification Search**
USPC D13/115, 101, 122, 184, 199; D15/1,
D15/199; 290/54, 55; 415/4.2, 41, 907;
416/23, 24, 31, 37, 38, 51, 132 B, 132 R,
416/142, 143, 151, 176, 183, 196 A,
416/197 A; D23/355, 370, 375, 376, 377,
D23/378, 379, 382

CPC F03D 1/00; F03D 1/04; F03D 1/06; F03D
1/025; F03D 1/0608; F03D 1/0625; F03D
1/0633; F03D 1/0641; F03D 3/02; F03D
3/06; F03D 3/005; F03D 3/061; F03D
3/0409; F03D 3/0481; F03D 7/0224;
F03D 7/04; F03D 7/06; F03D 7/0204;
F03D 9/25; B63H 1/06; Y02E 10/72;
Y02E 10/74; Y02E 10/721; Y02E 10/723;
Y02E 10/725; F03B 13/264; F28C 1/00

See application file for complete search history.

* cited by examiner

Primary Examiner — Derrick E Holland
(74) *Attorney, Agent, or Firm* — K&L Gates LLP

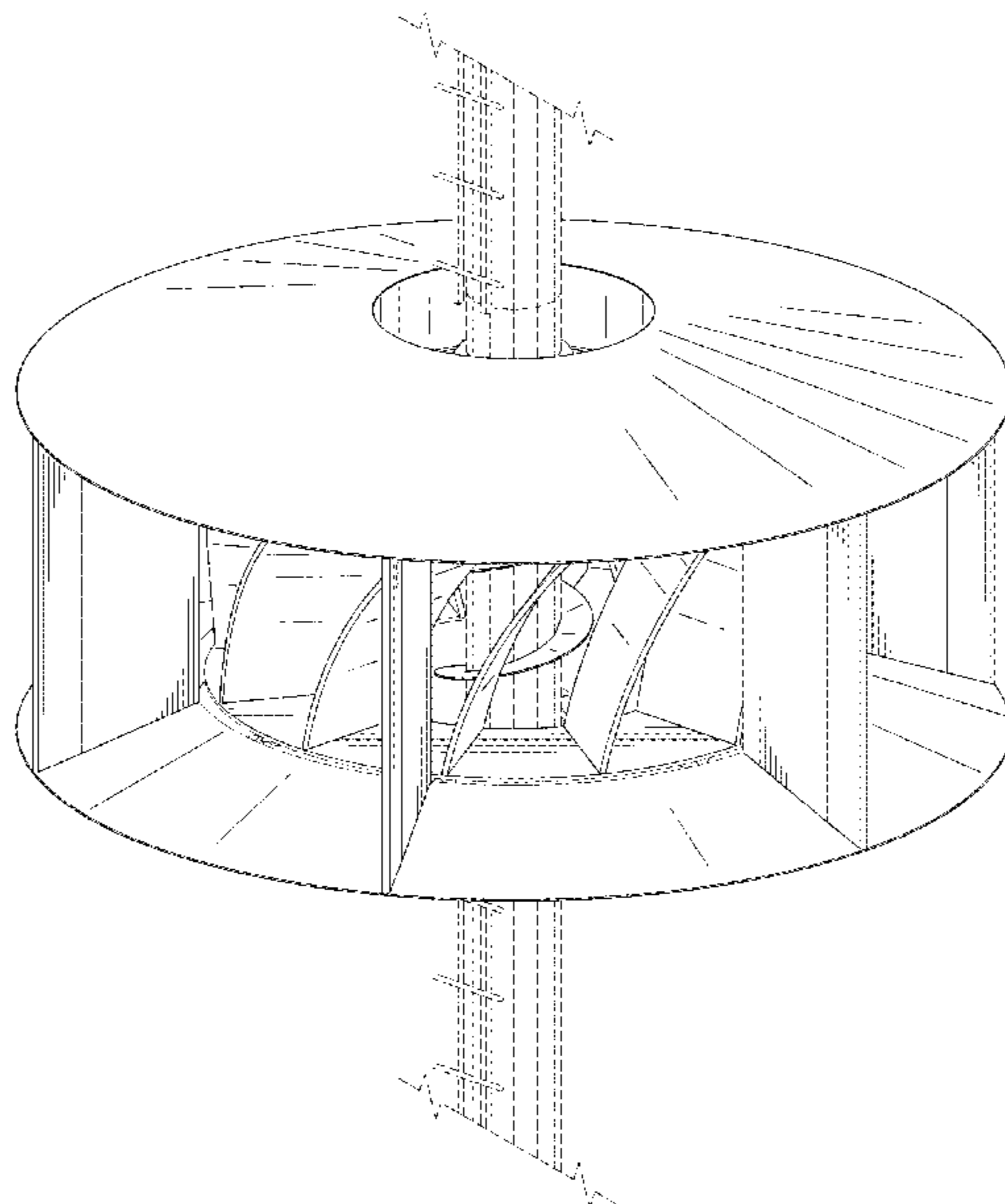
(57) **CLAIM**

The ornamental design for a wind turbine, as shown and described.

DESCRIPTION

FIG. 1 is a front perspective view of a wind turbine showing our new design;
 FIG. 2 is a front view thereof;
 FIG. 3 is a rear view thereof;
 FIG. 4 is a right side view thereof;
 FIG. 5 is a left side view thereof;
 FIG. 6 is a top view thereof;
 FIG. 7 is a bottom view thereof; and,
 FIG. 8 is a front perspective view thereof, shown in an environment of use.
 The broken lines represent the portions of the wind turbine that form no part of the claimed design.

1 Claim, 8 Drawing Sheets



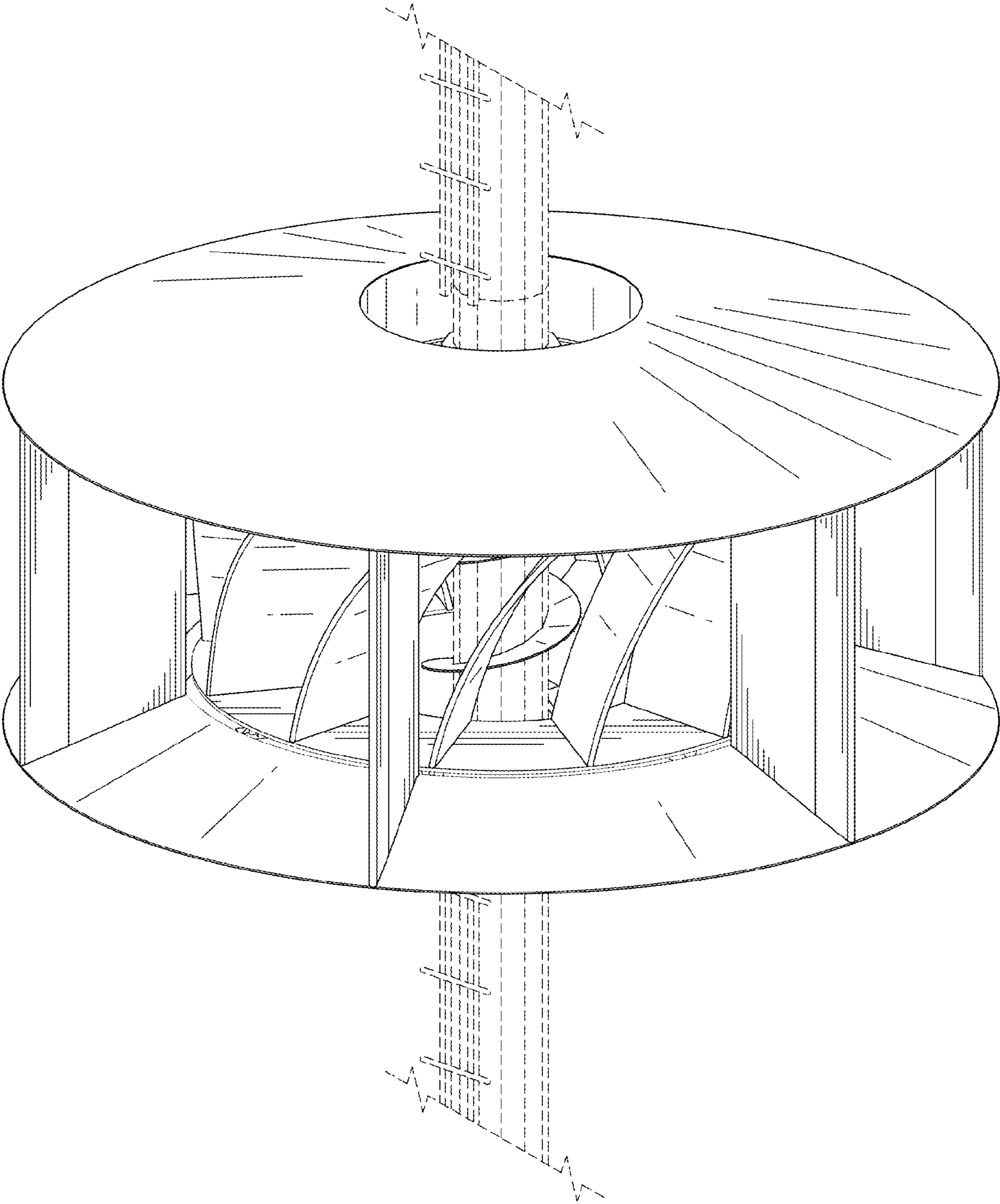


FIG. 1

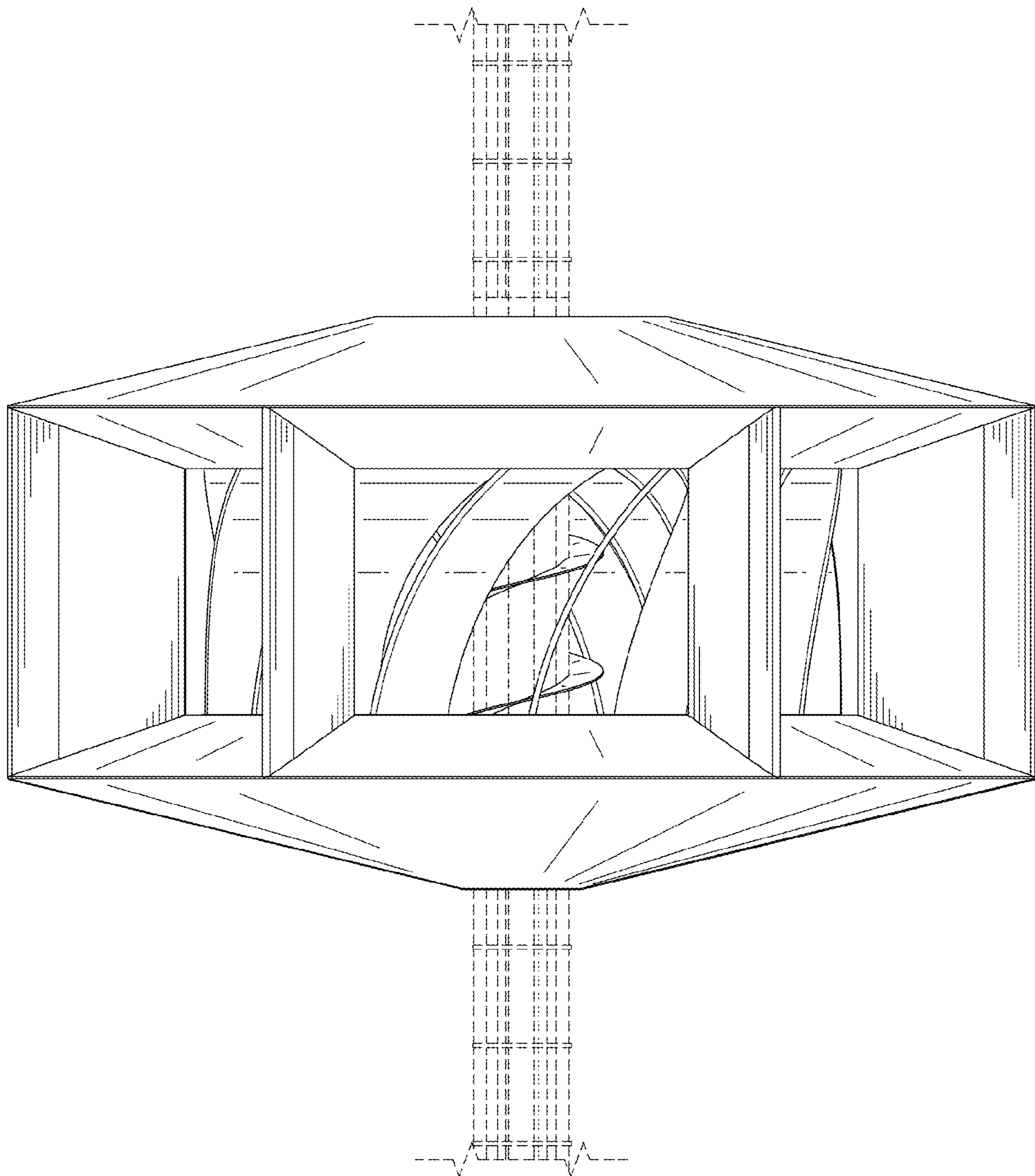


FIG. 2

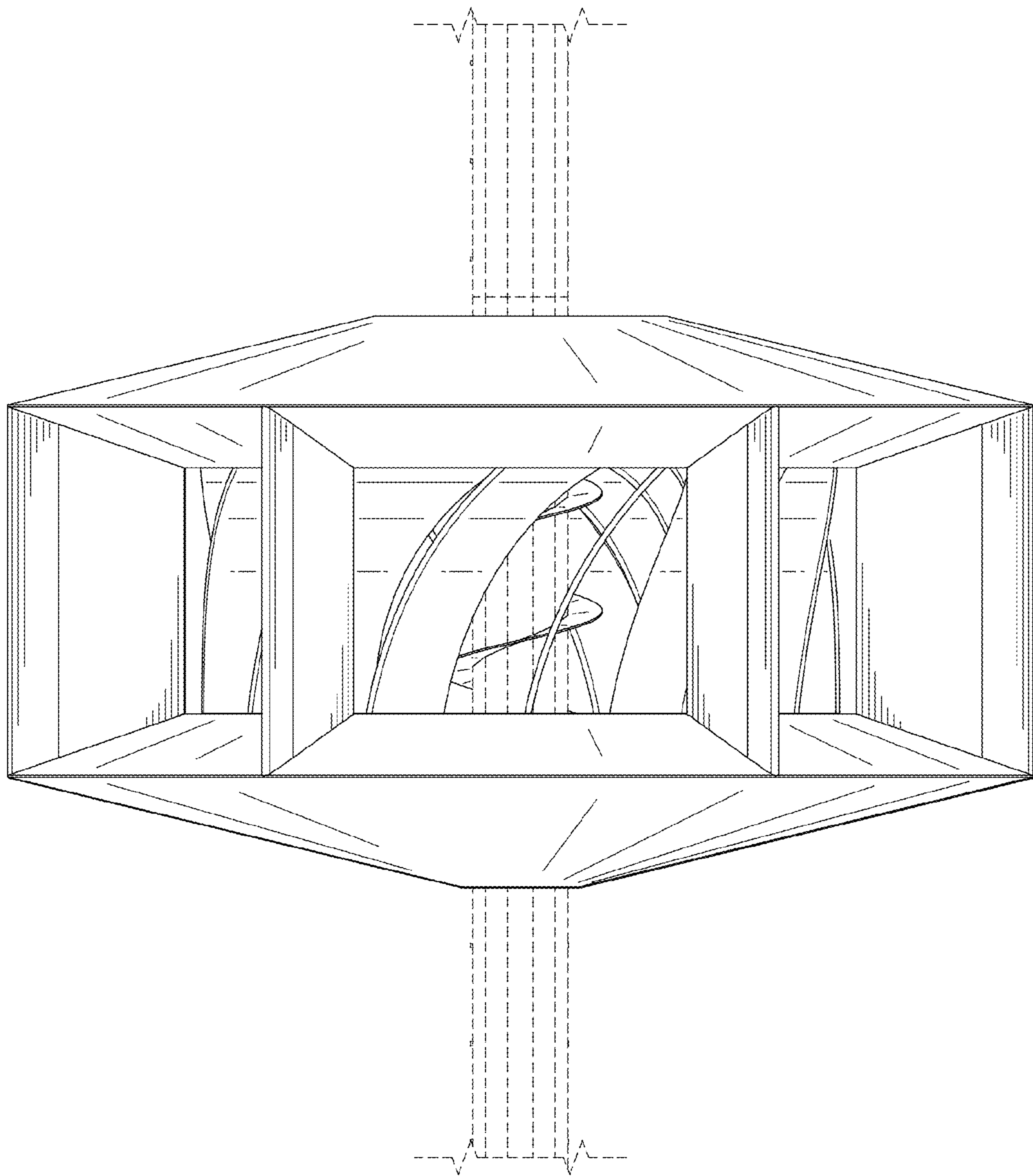


FIG. 3

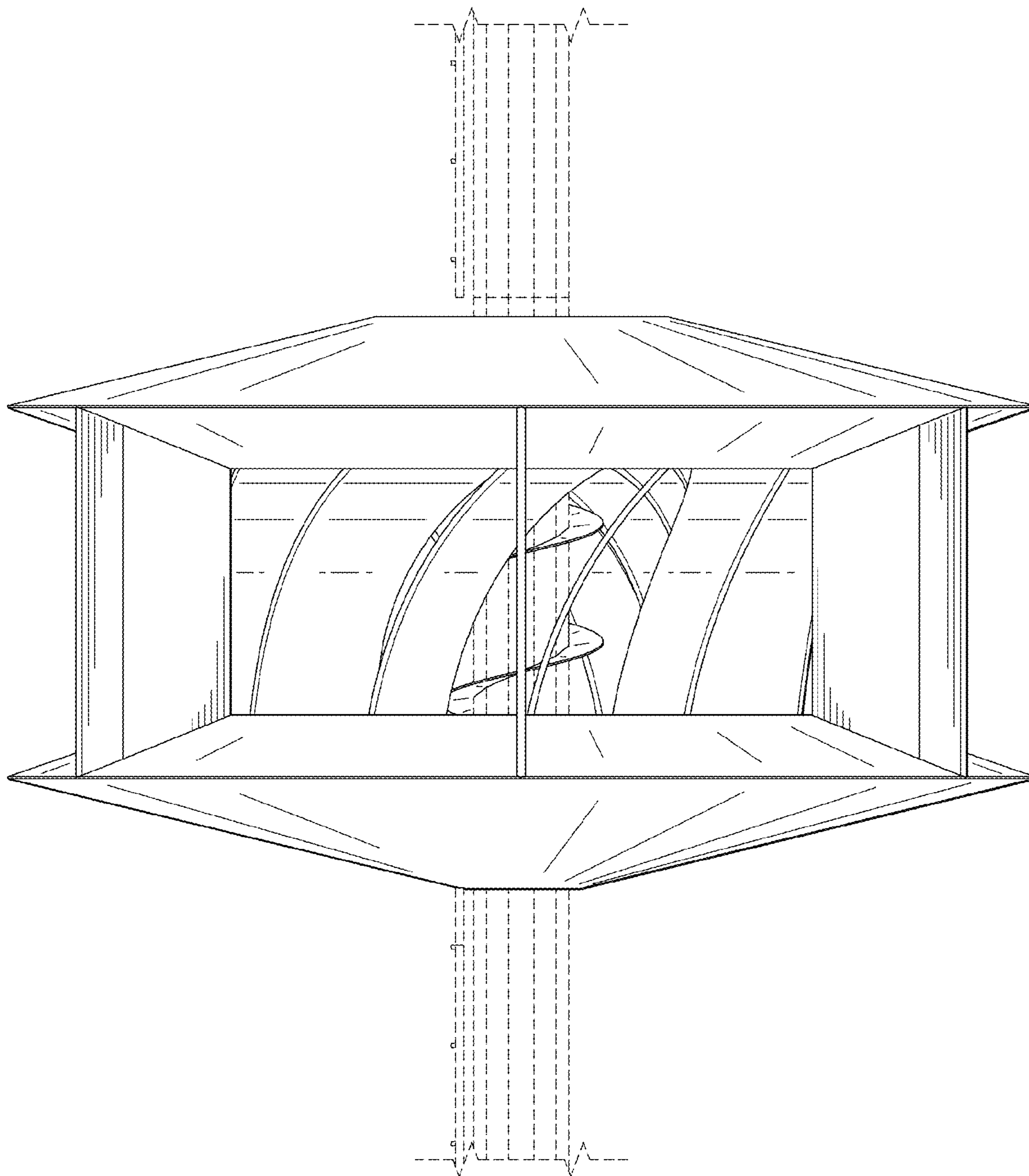


FIG. 4

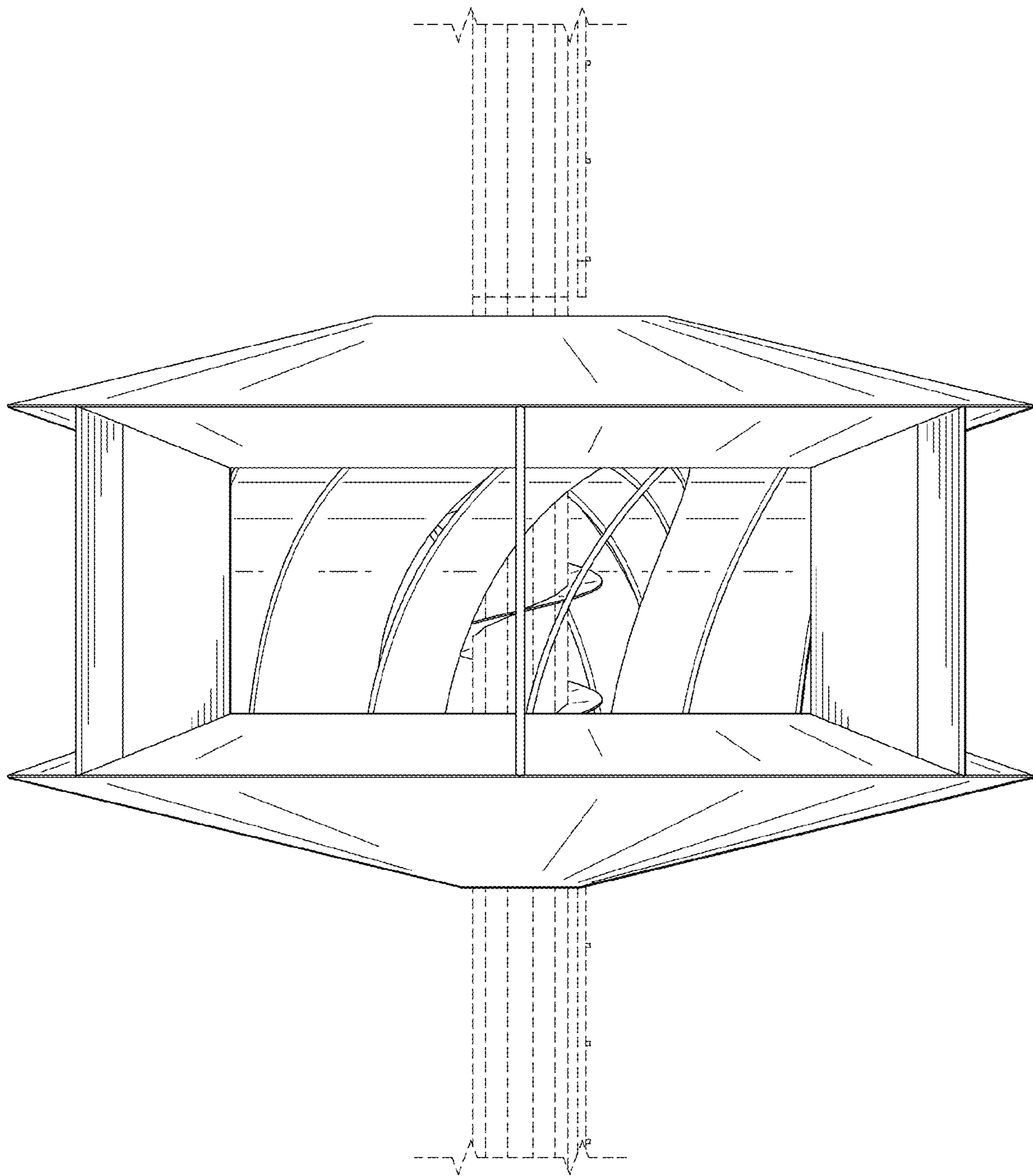


FIG. 5

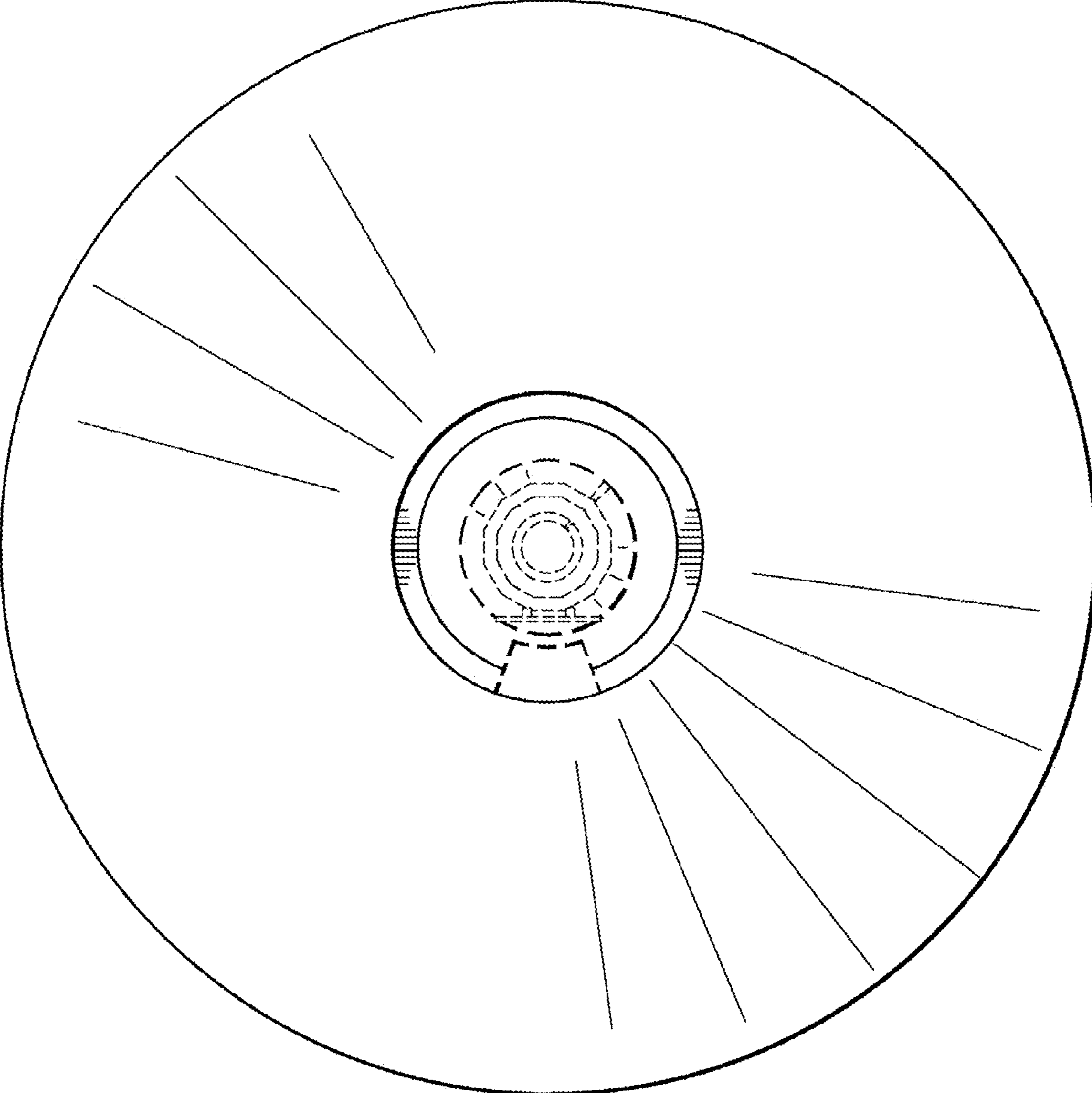


FIG. 6

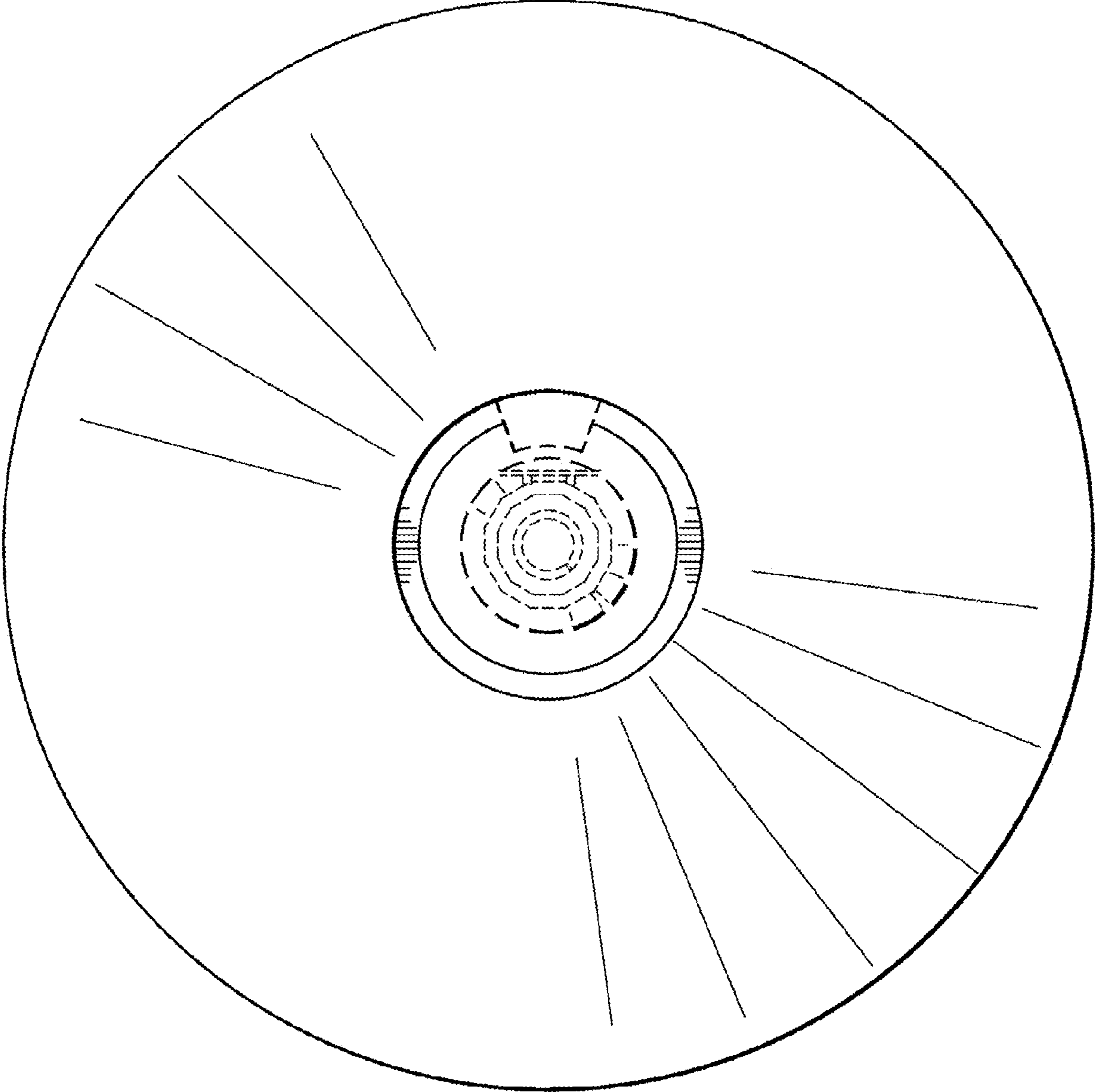


FIG. 7

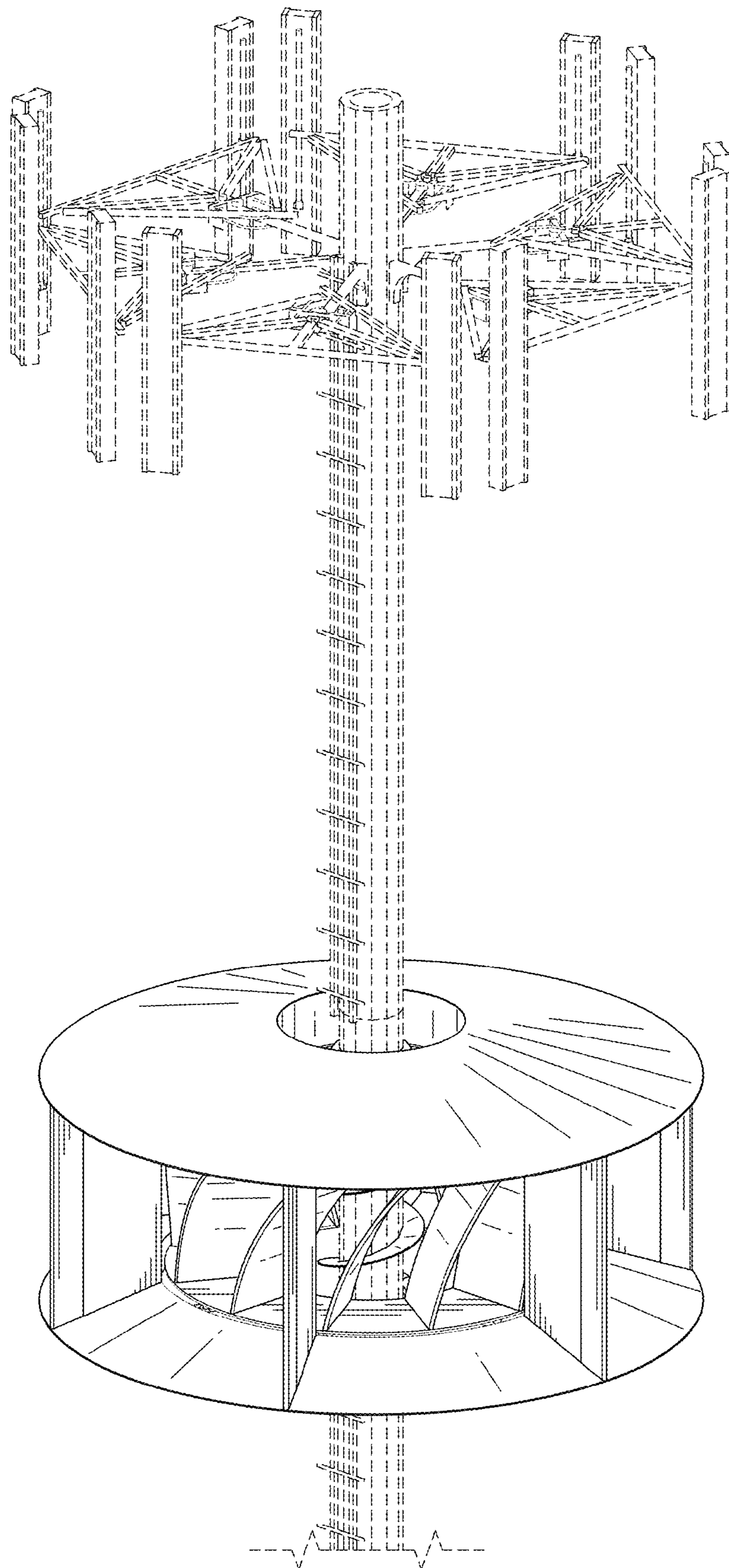


FIG. 8