



US00D909971S

(12) **United States Design Patent**
Tachibana et al.

(10) **Patent No.:** **US D909,971 S**

(45) **Date of Patent:** **** Feb. 9, 2021**

(54) **INVERTER**

D455,399 S * 4/2002 Imamura D13/110
D494,132 S * 8/2004 Song D13/110
D558,141 S * 12/2007 Kwon D13/110

(71) Applicant: **Mitsubishi Electric Corporation**,
Tokyo (JP)

(Continued)

(72) Inventors: **Atsuki Tachibana**, Tokyo (JP); **Tetsuo Tanaka**, Tokyo (JP); **Hidenori Suzuki**, Tokyo (JP); **Yoshiki Takahara**, Tokyo (JP); **Takahiro Kurahori**, Tokyo (JP); **Atsuhiko Tsuchiya**, Tokyo (JP)

Primary Examiner — Derrick E Holland

(74) *Attorney, Agent, or Firm* — Studebaker & Brackett PC

(73) Assignee: **Mitsubishi Electric Corporation**,
Tokyo (JP)

(57) **CLAIM**

The ornamental design for an inverter, as shown and described.

(**) Term: **15 Years**

DESCRIPTION

(21) Appl. No.: **29/722,809**

FIG. 1. is a front perspective view of the front, right, and top sides of an inverter showing a first embodiment of our new design;

(22) Filed: **Jan. 31, 2020**

FIG. 2. is a rear perspective view of the rear, left, and bottom sides thereof;

(30) **Foreign Application Priority Data**

Sep. 9, 2019 (JP) 2019-020075
Sep. 9, 2019 (JP) 2019-020077

FIG. 3. is a front view thereof;

FIG. 4. is a rear view thereof;

FIG. 5. is a top plan view thereof;

FIG. 6. is a bottom plan view thereof;

FIG. 7. is a right side view thereof;

FIG. 8. is a left side view thereof;

(51) **LOC (13) Cl.** **13-02**

(52) **U.S. Cl.**
USPC **D13/110**

(58) **Field of Classification Search**
USPC D13/110, 101, 123, 162, 164, 184, 199;
D15/149

CPC H02M 7/00; H02M 7/02; H02M 7/003;
H05K 5/00; H05K 5/0017; H05K 7/00;
H05K 7/1427; H05K 7/20918

See application file for complete search history.

FIG. 9. is a front perspective view of the front, right, and top sides of an inverter showing a second embodiment of our new design;

FIG. 10. is a rear perspective view of the rear, left, and bottom sides thereof;

FIG. 11. is a front view thereof;

FIG. 12. is a rear view thereof;

FIG. 13. is a top plan view thereof;

FIG. 14. is a bottom plan view thereof;

FIG. 15. is a right side view thereof; and,

FIG. 16. is a left side view thereof.

The broken lines shown represent portions of the inverter and form no part of the claimed design.

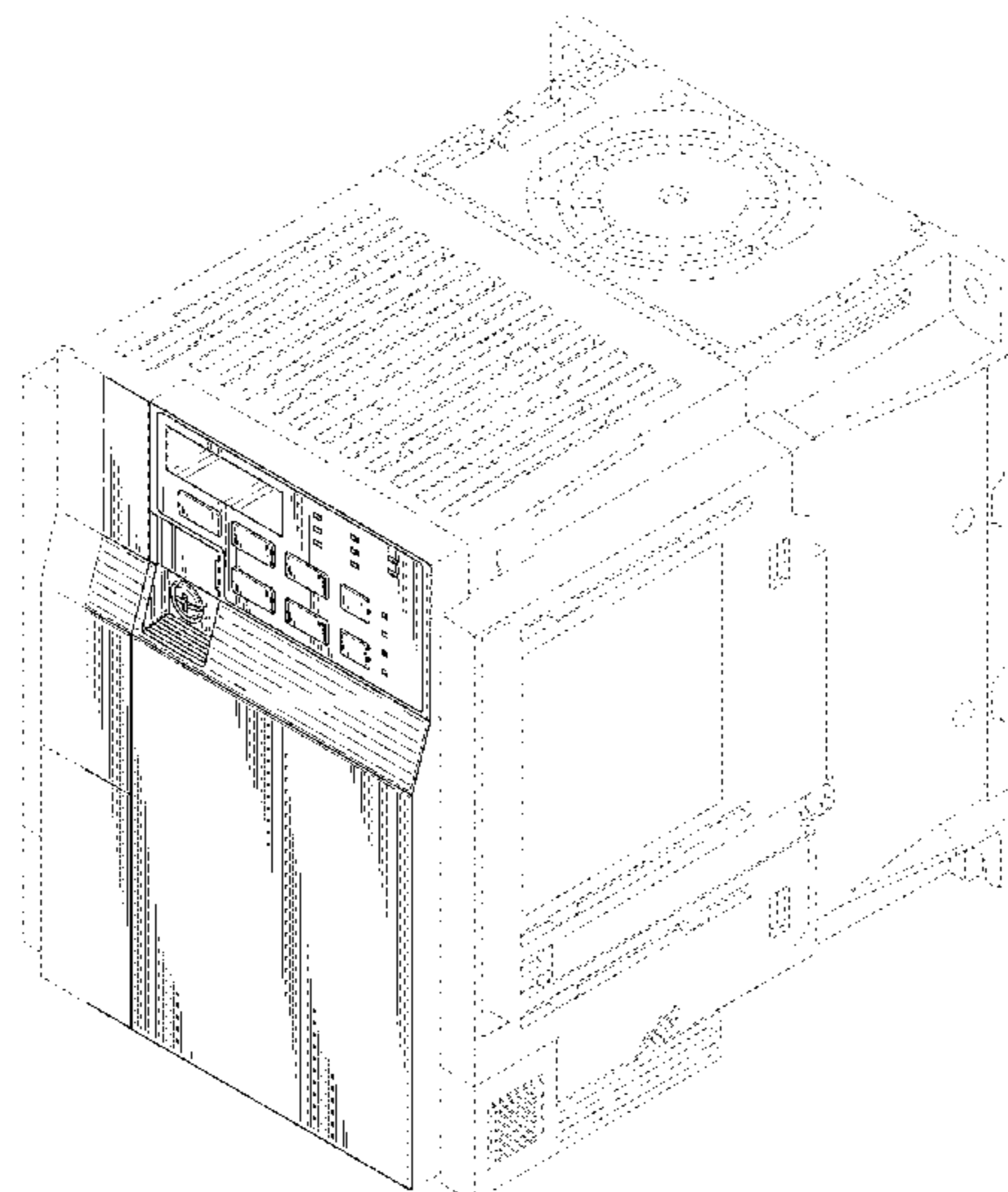
The dash-dot lines represent the boundary between the claimed design and unclaimed design and form no part of the claimed design.

(56) **References Cited**

U.S. PATENT DOCUMENTS

4,620,263 A * 10/1986 Ito H05K 7/20918
361/690
5,497,289 A * 3/1996 Sugishima H02M 7/003
318/558
D372,017 S * 7/1996 Suematsu D13/110

1 Claim, 16 Drawing Sheets



(56)

References Cited

U.S. PATENT DOCUMENTS

D569,795 S *	5/2008	Higuchi	D13/110
D675,565 S *	2/2013	Choi	D13/110
D684,533 S *	6/2013	Nakahira	D13/110
D707,176 S *	6/2014	Choi	D13/110
D745,847 S *	12/2015	Ho	D13/110

* cited by examiner

FIG. 1

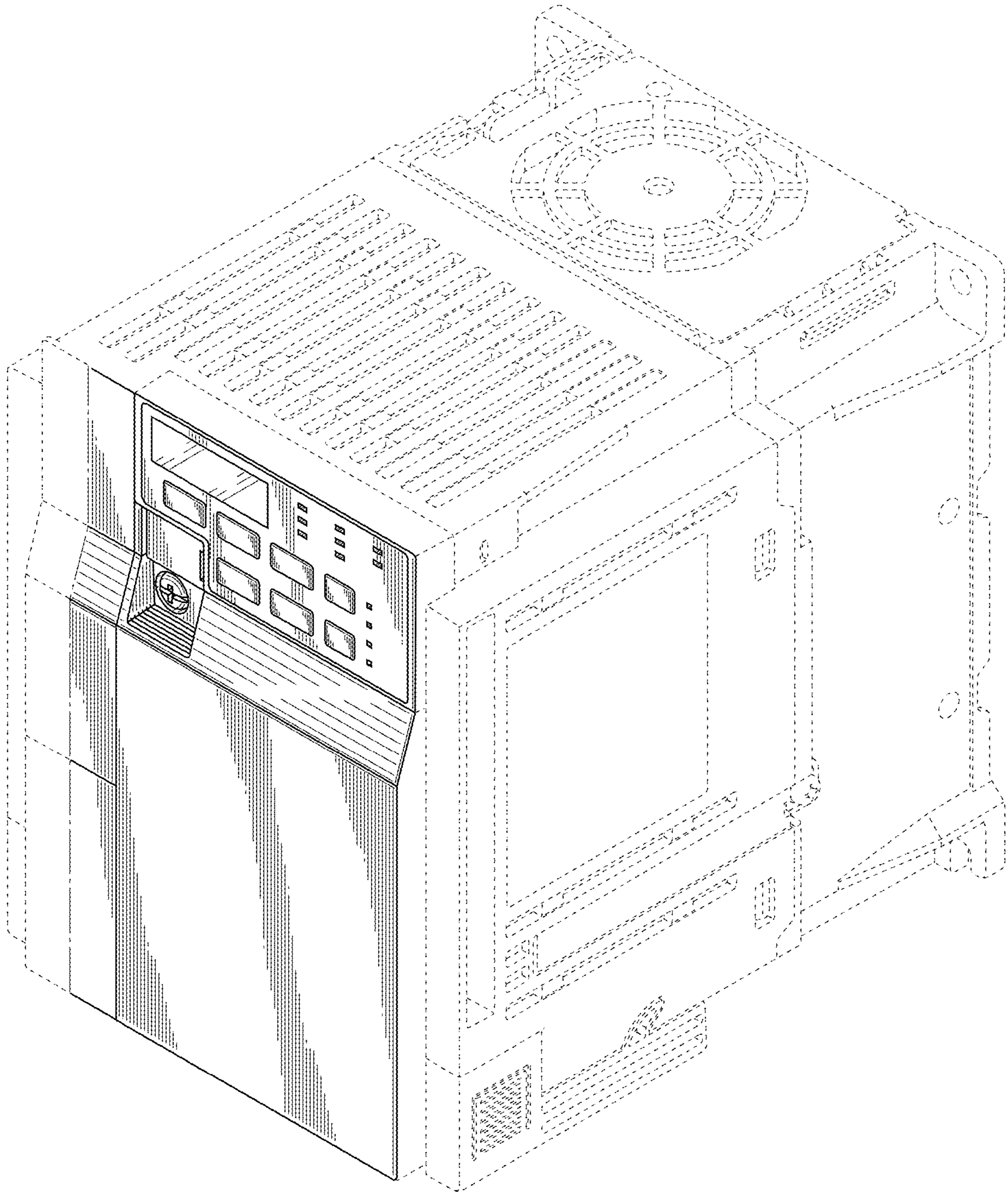


FIG. 2

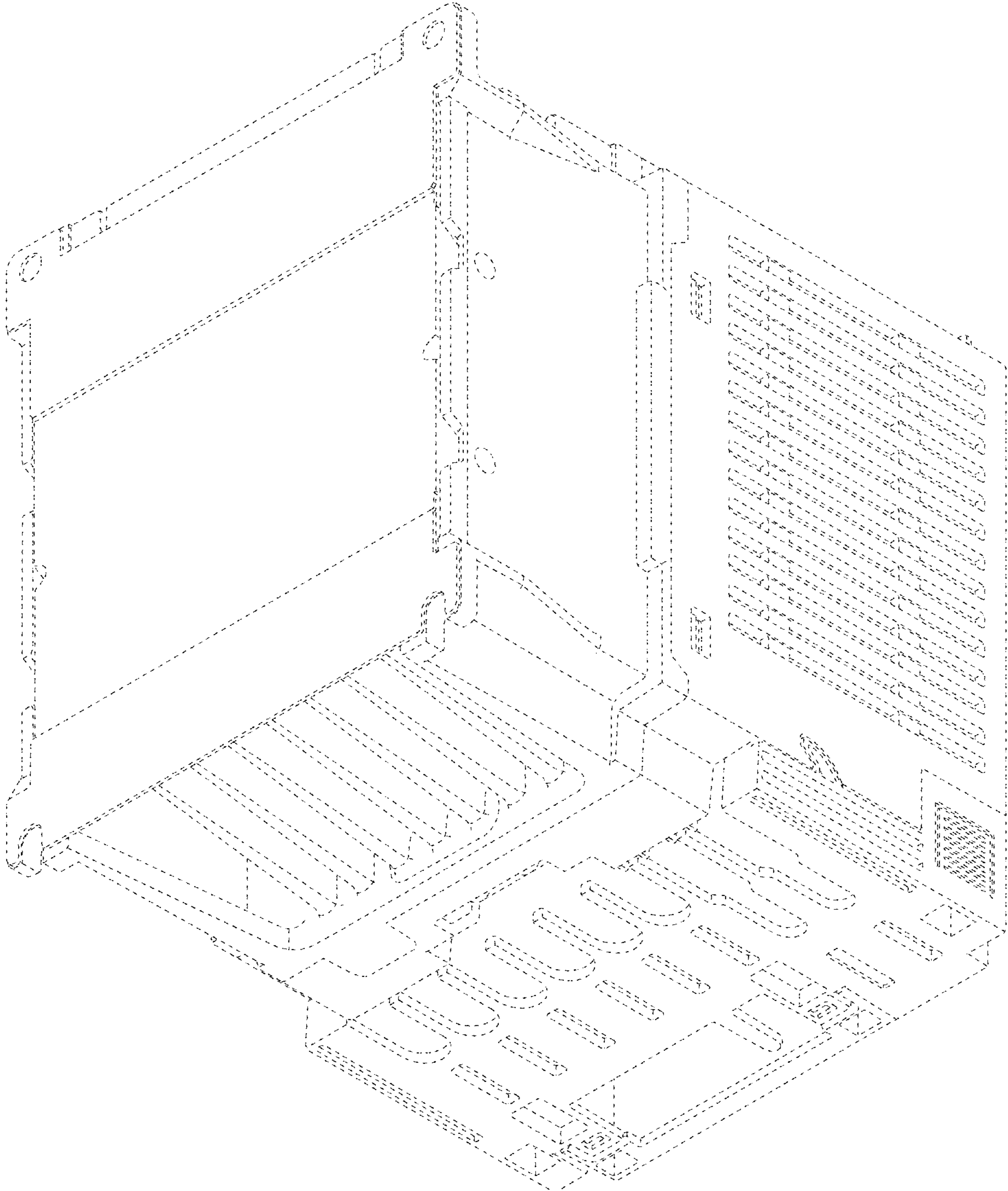


FIG. 3

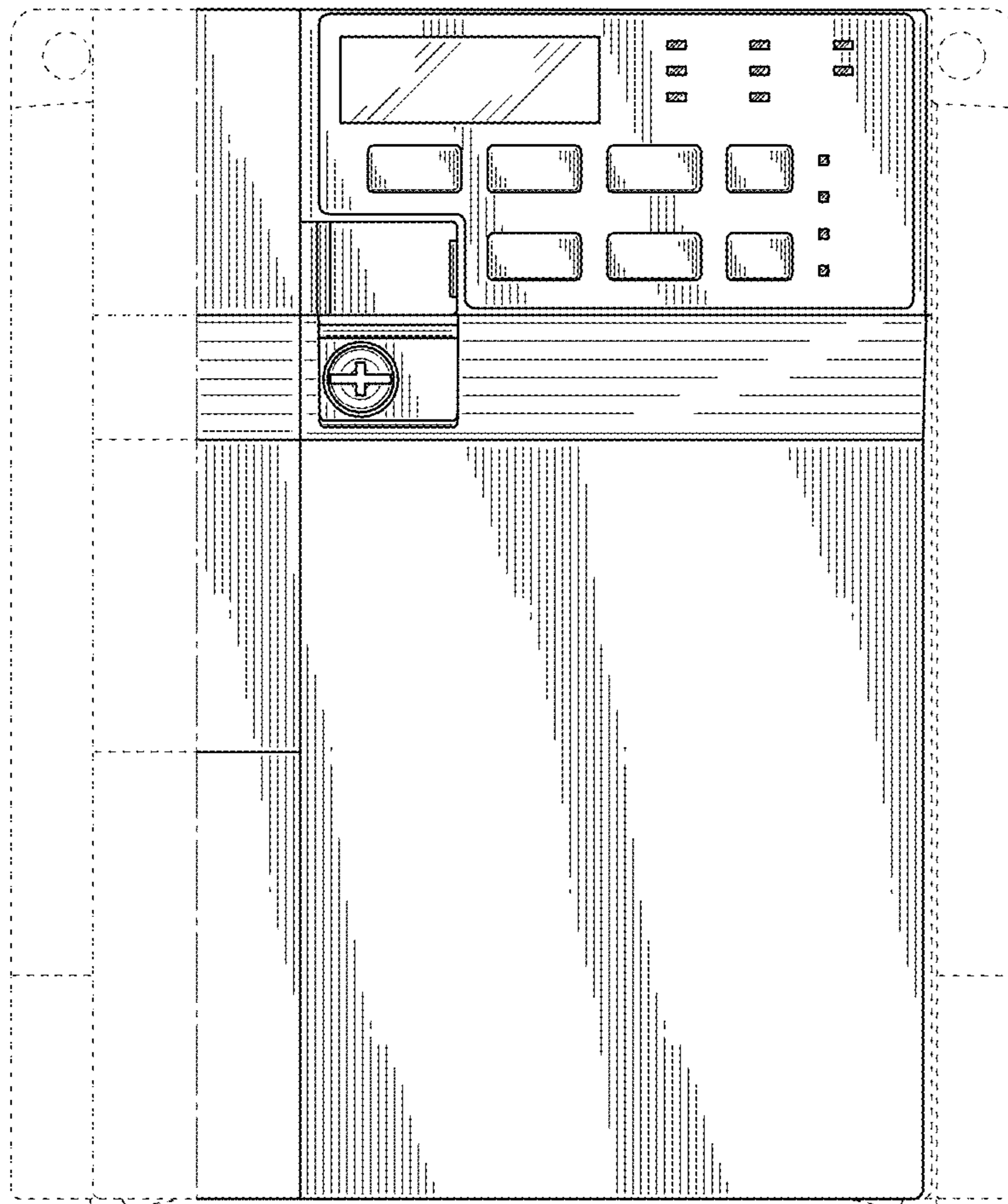


FIG. 4

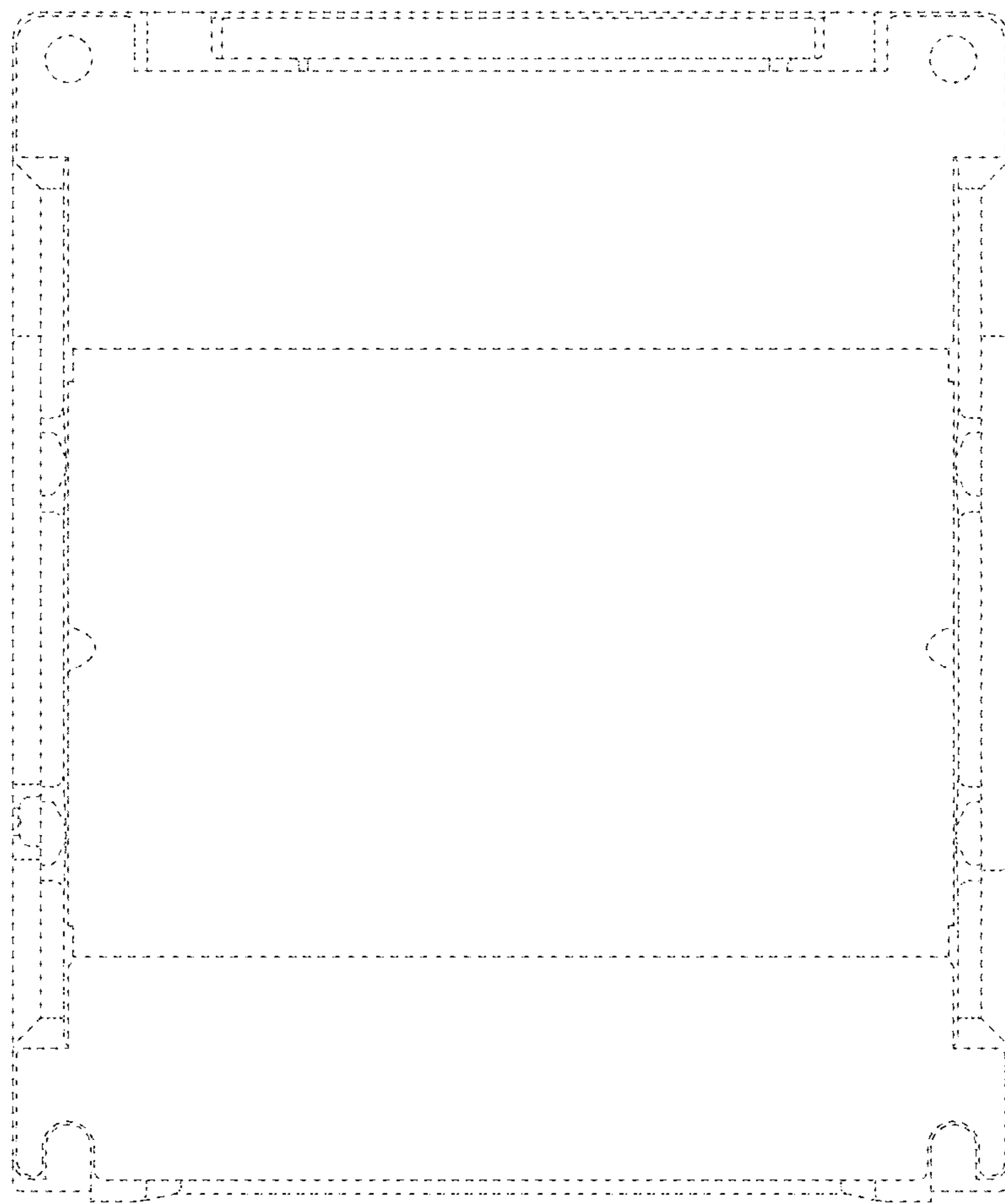


FIG. 5

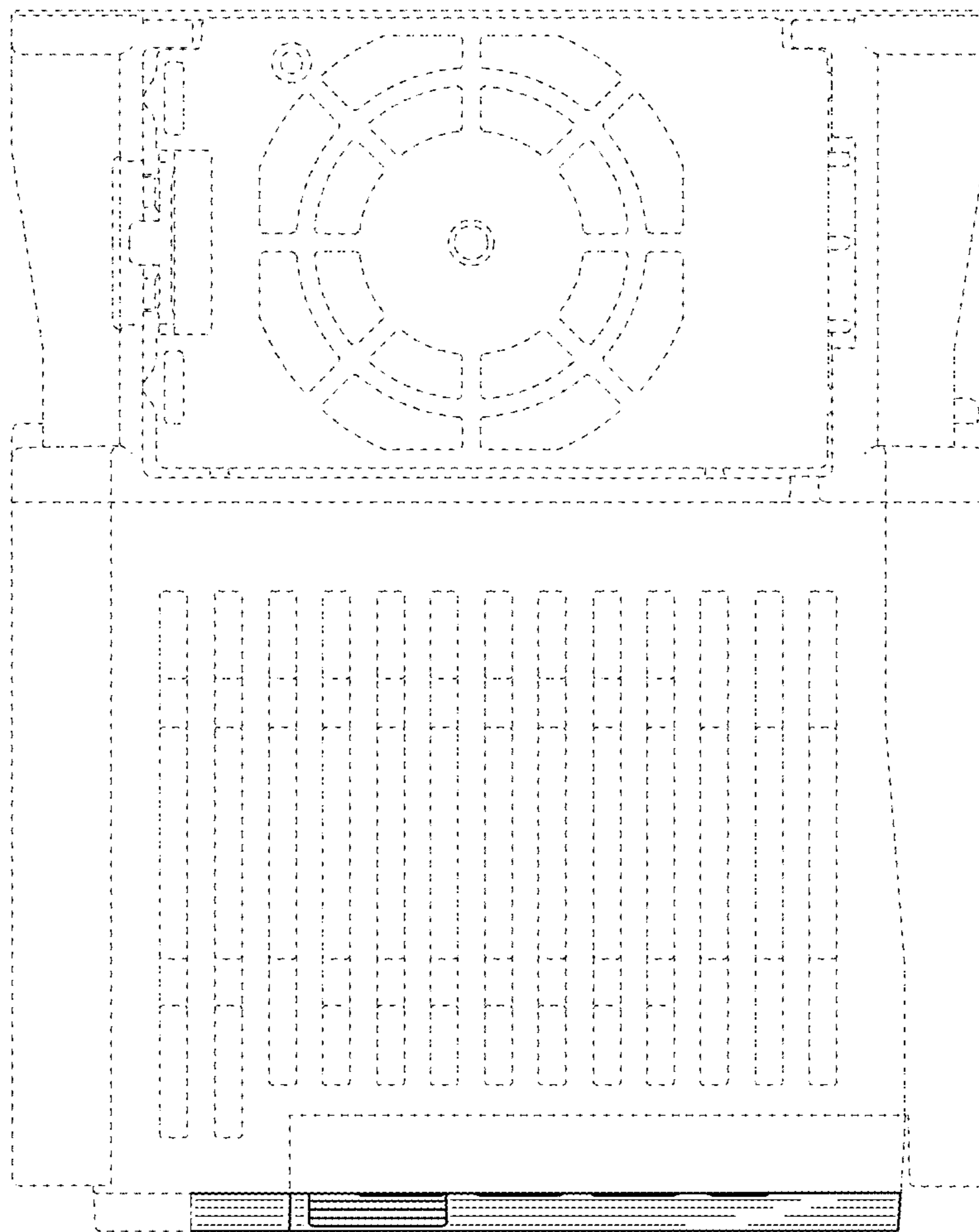


FIG. 6

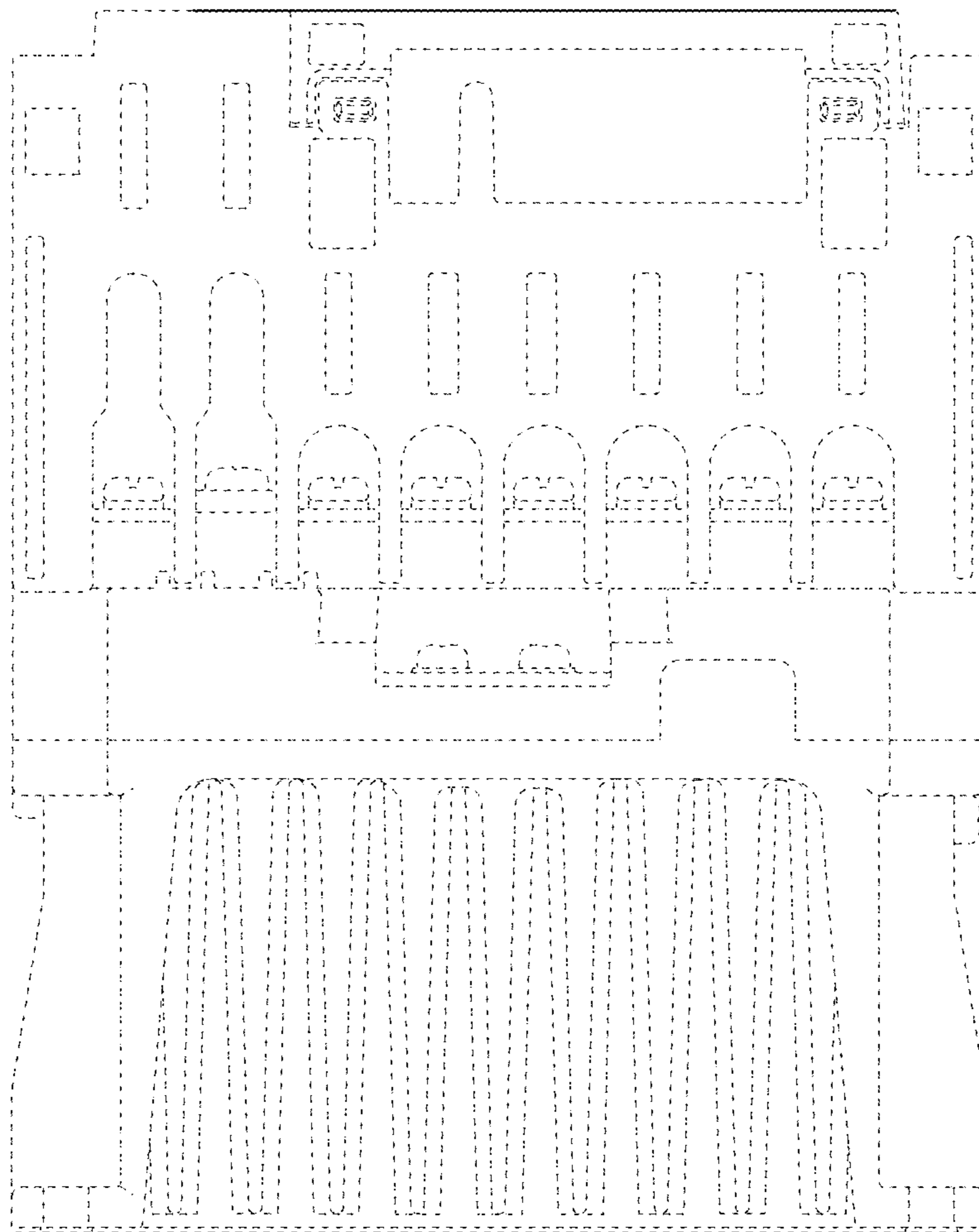


FIG. 7

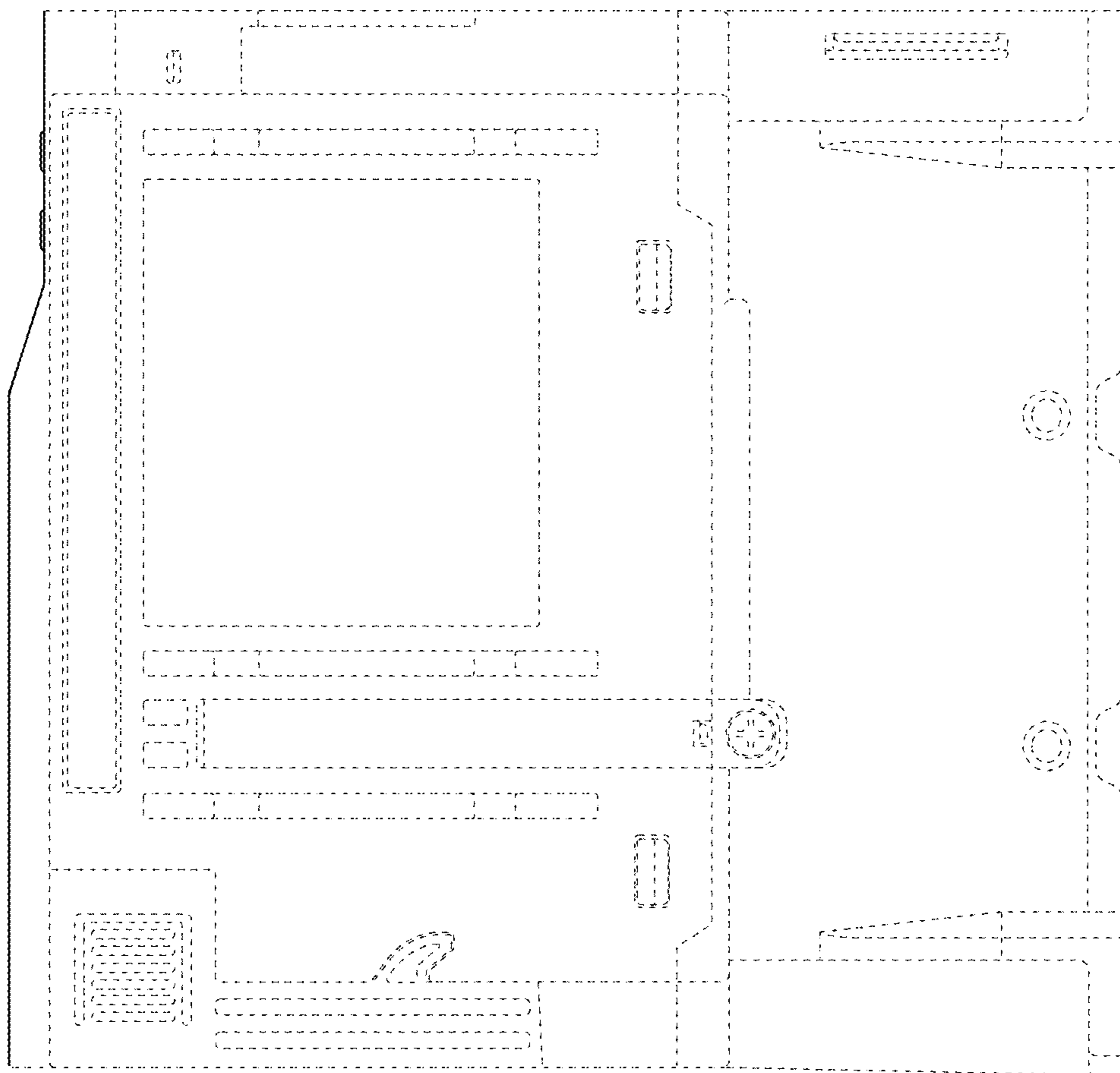


FIG. 8

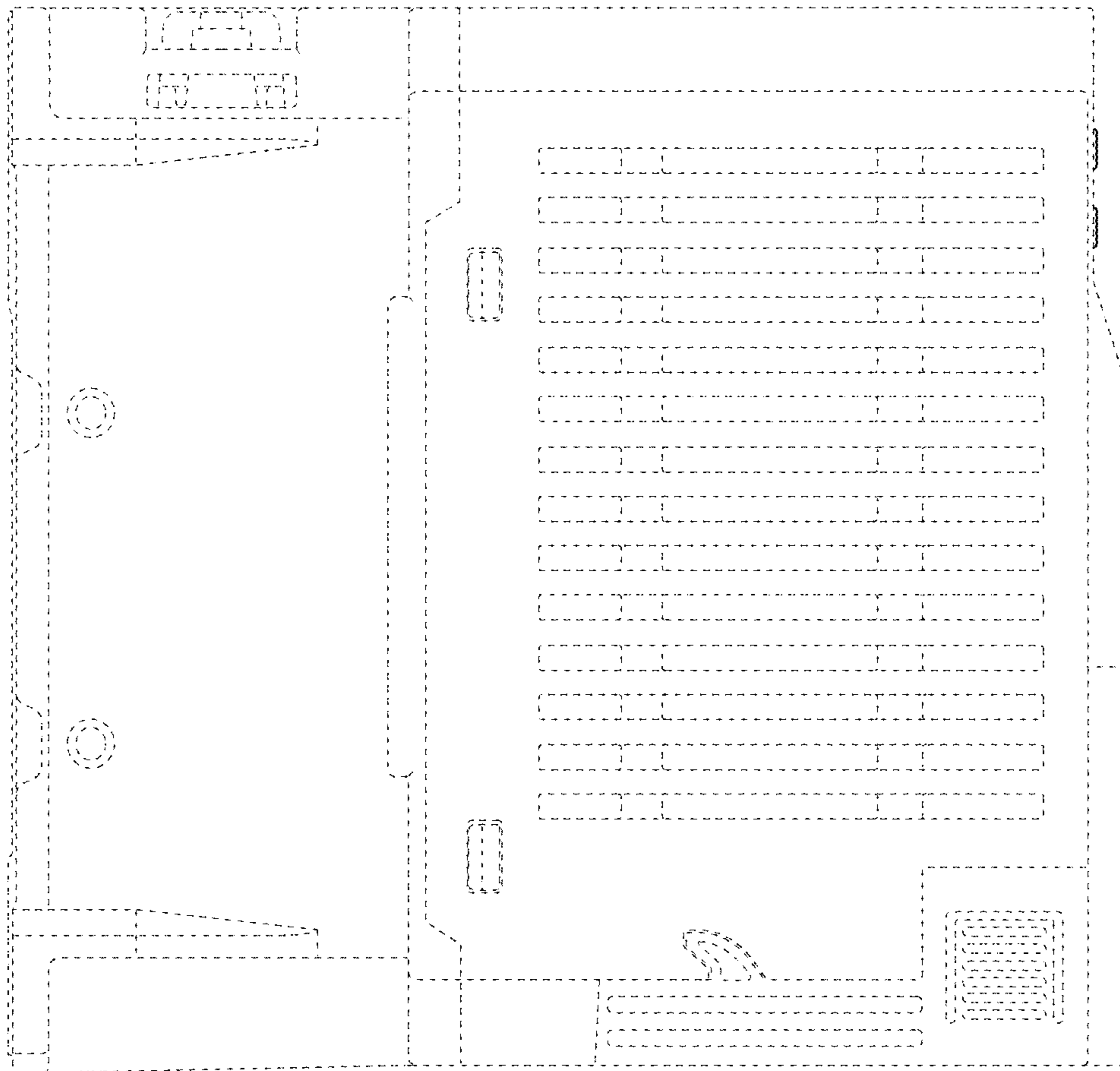


FIG. 9

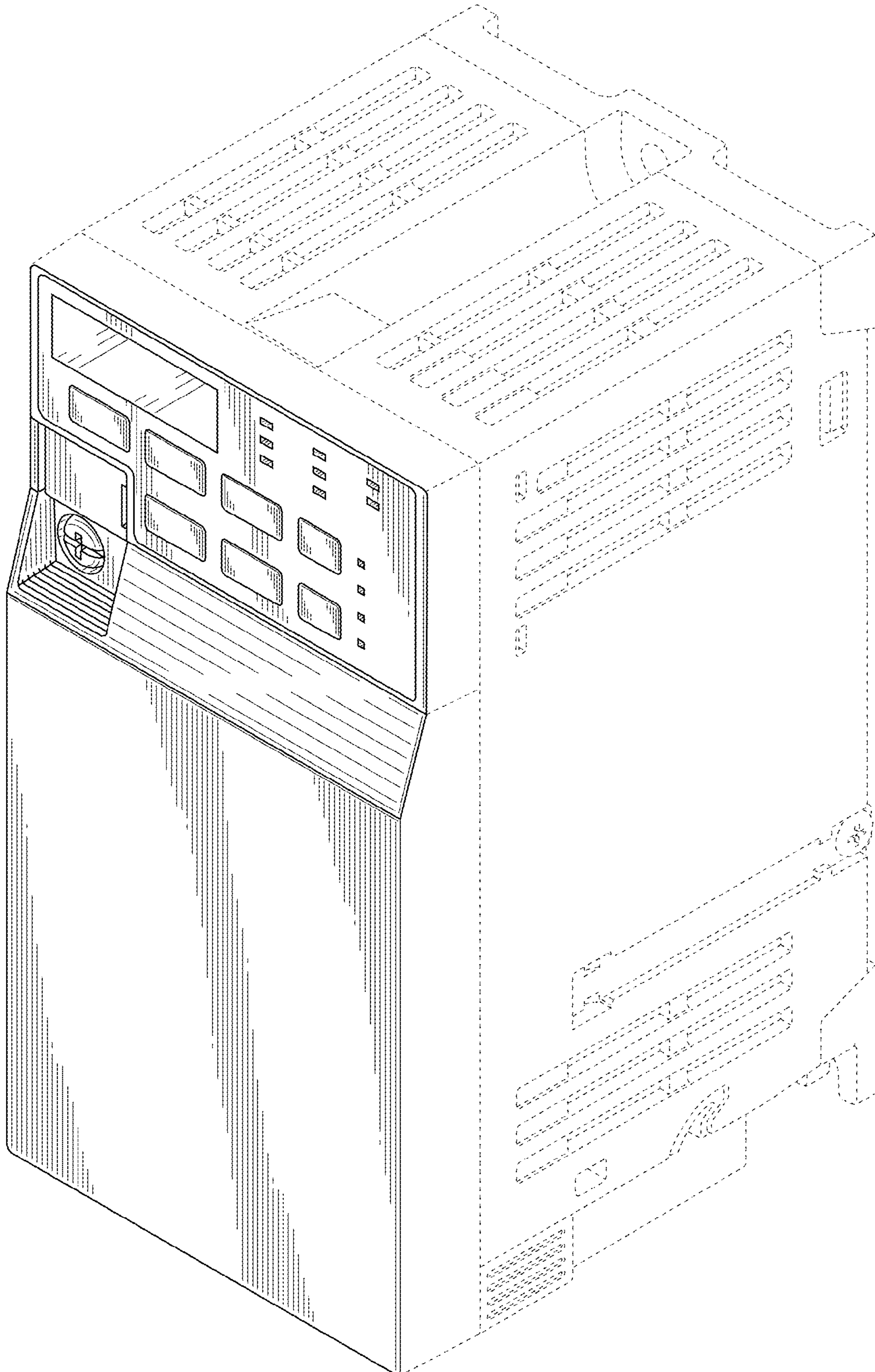


FIG. 10

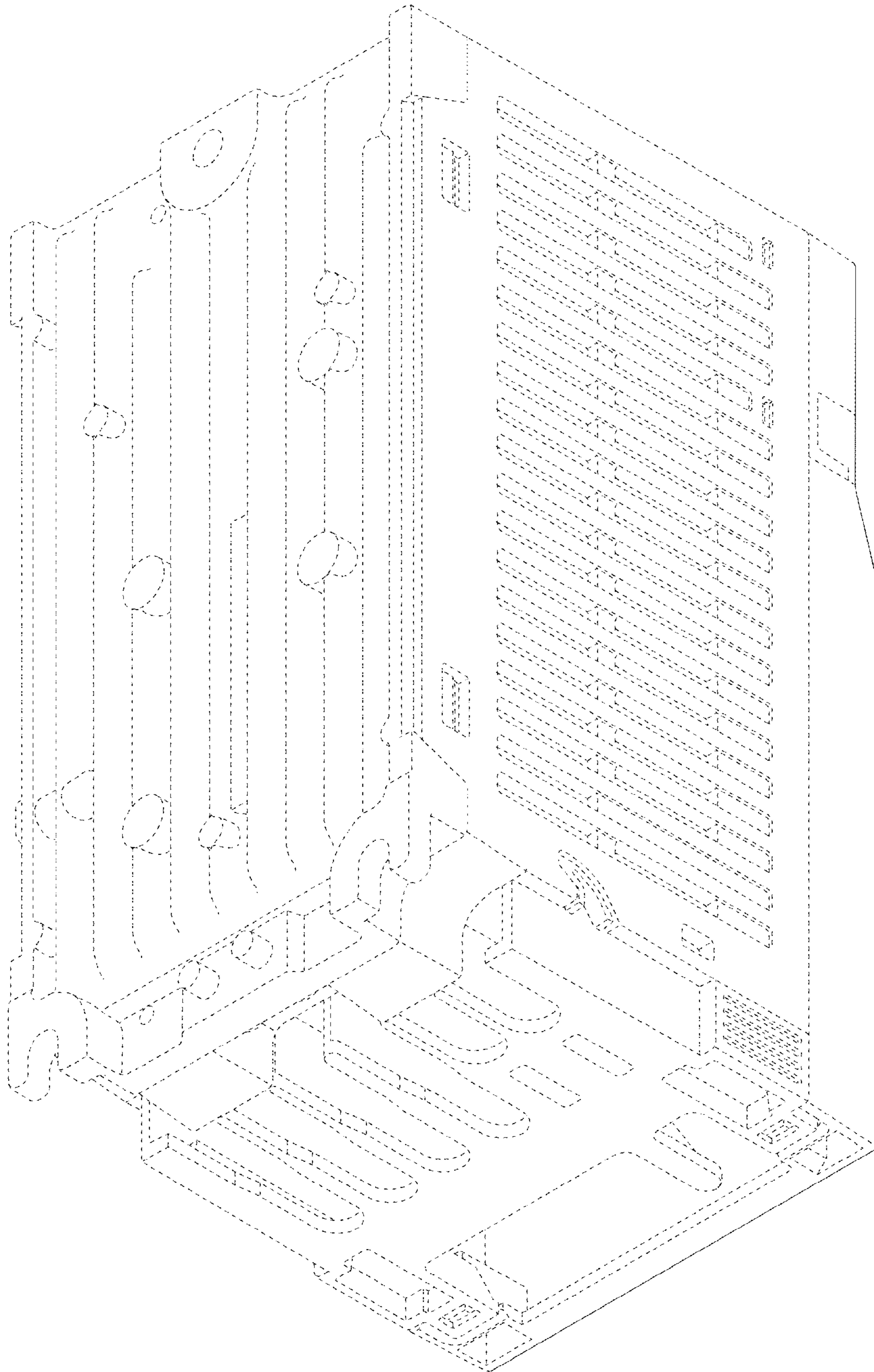


FIG. 11

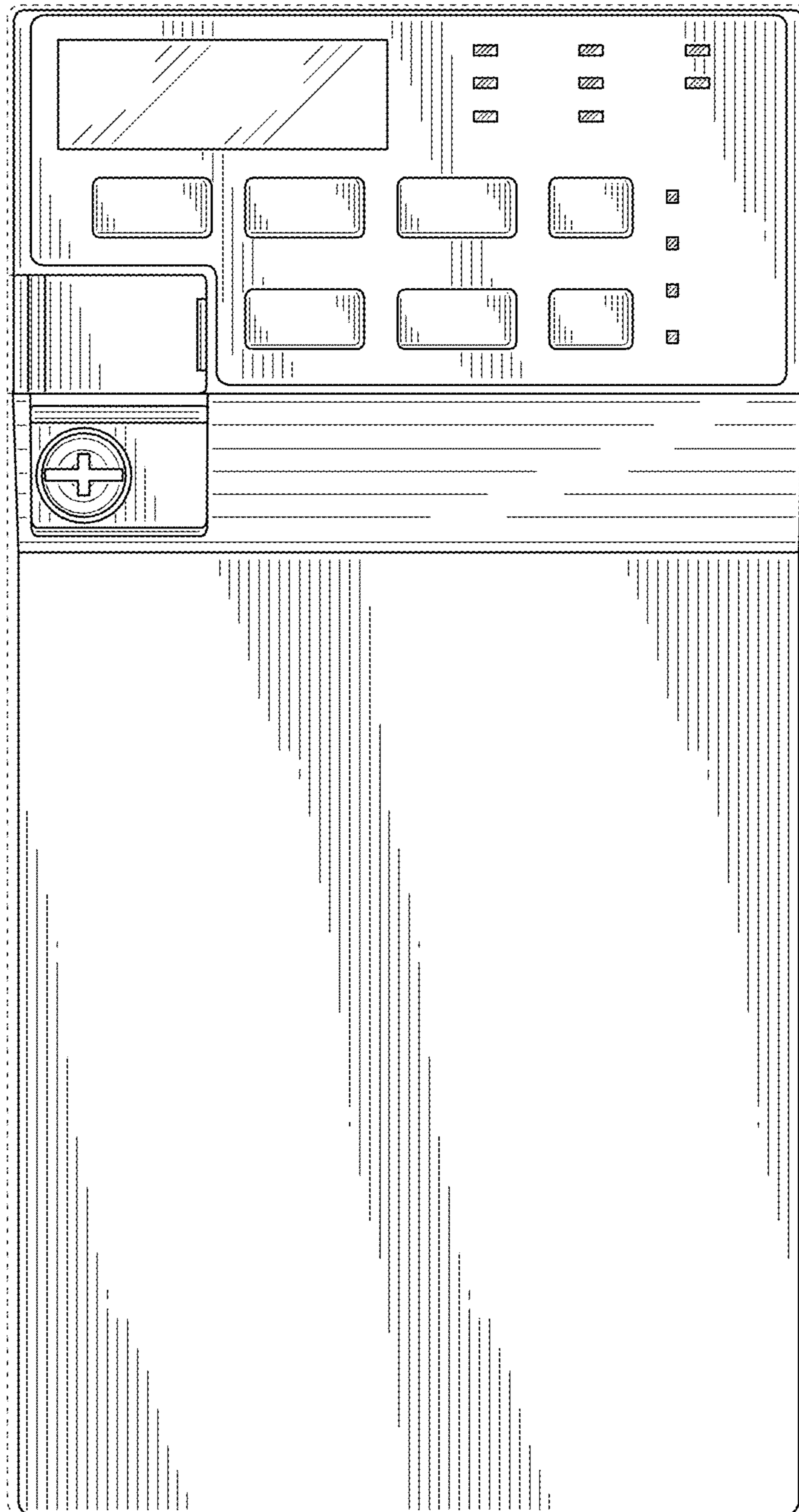


FIG. 12

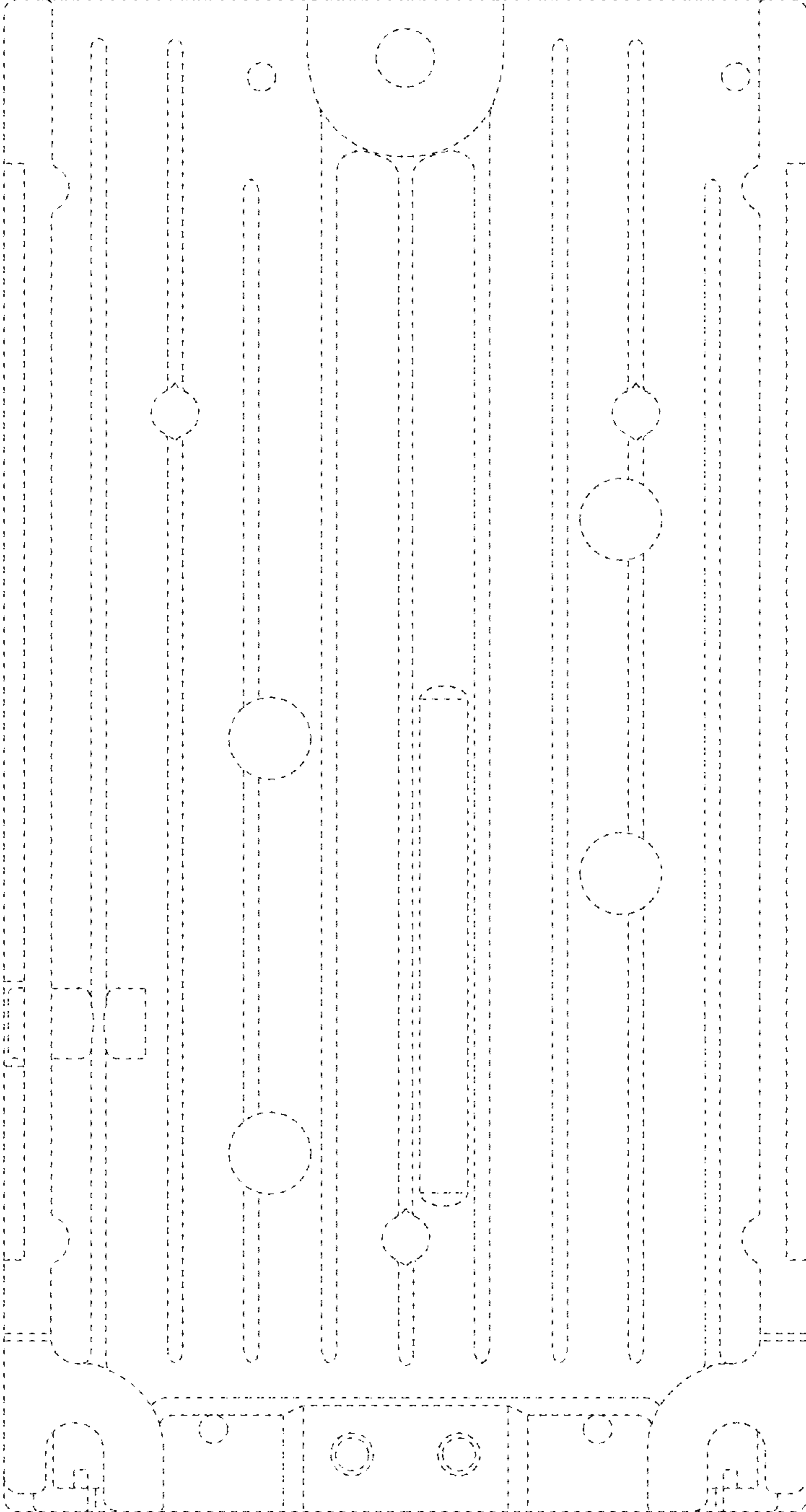


FIG. 13

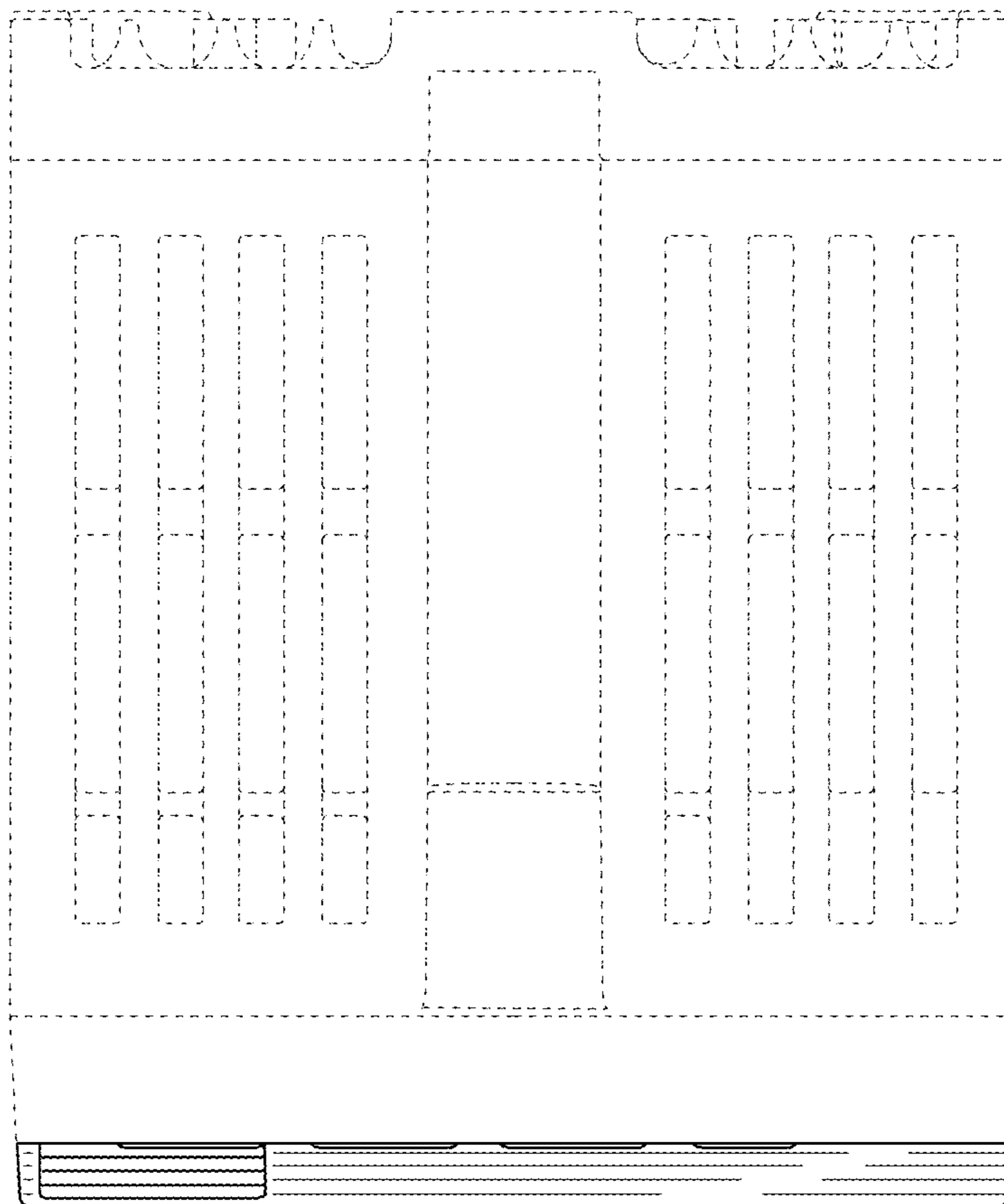


FIG. 14

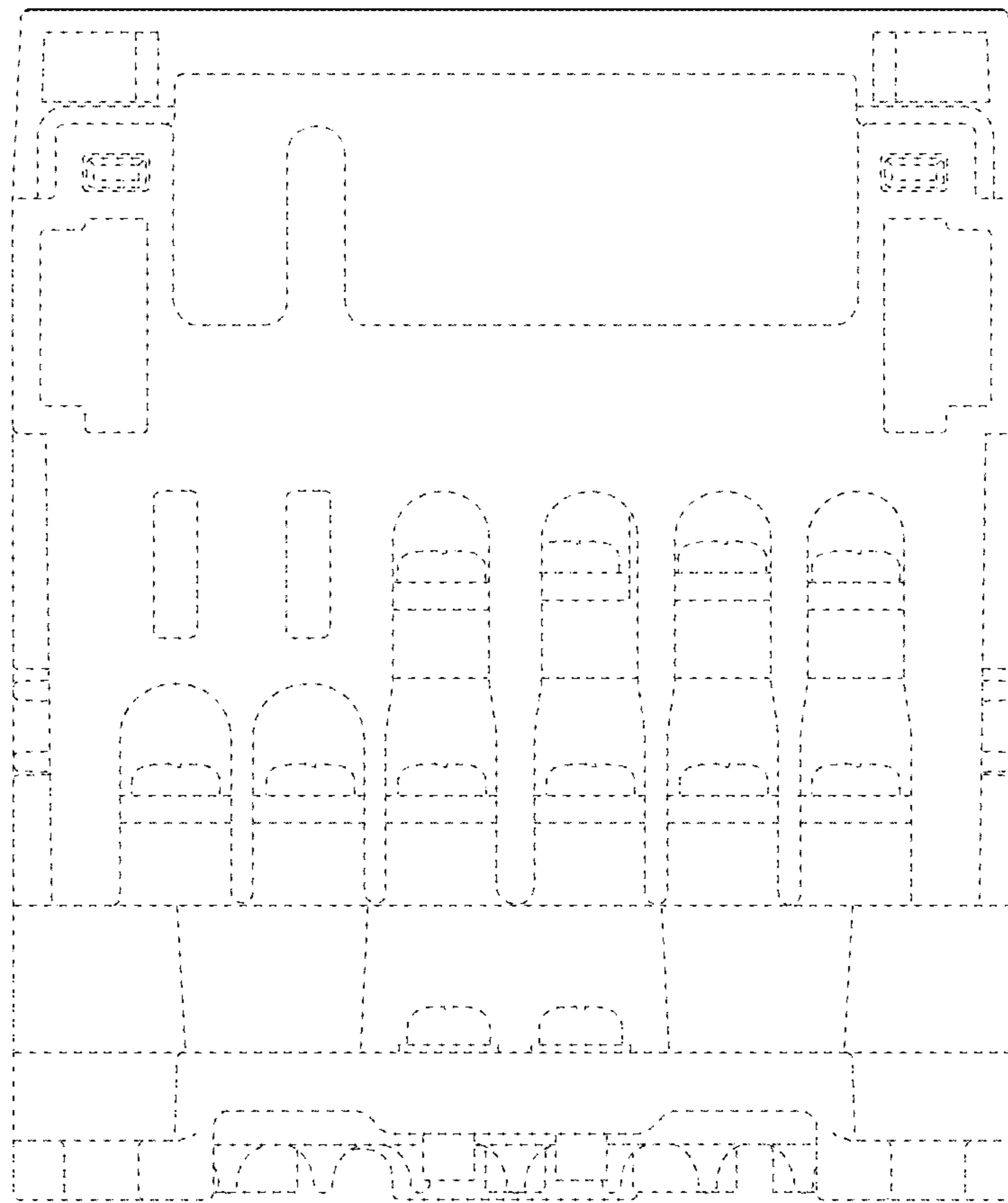


FIG. 15

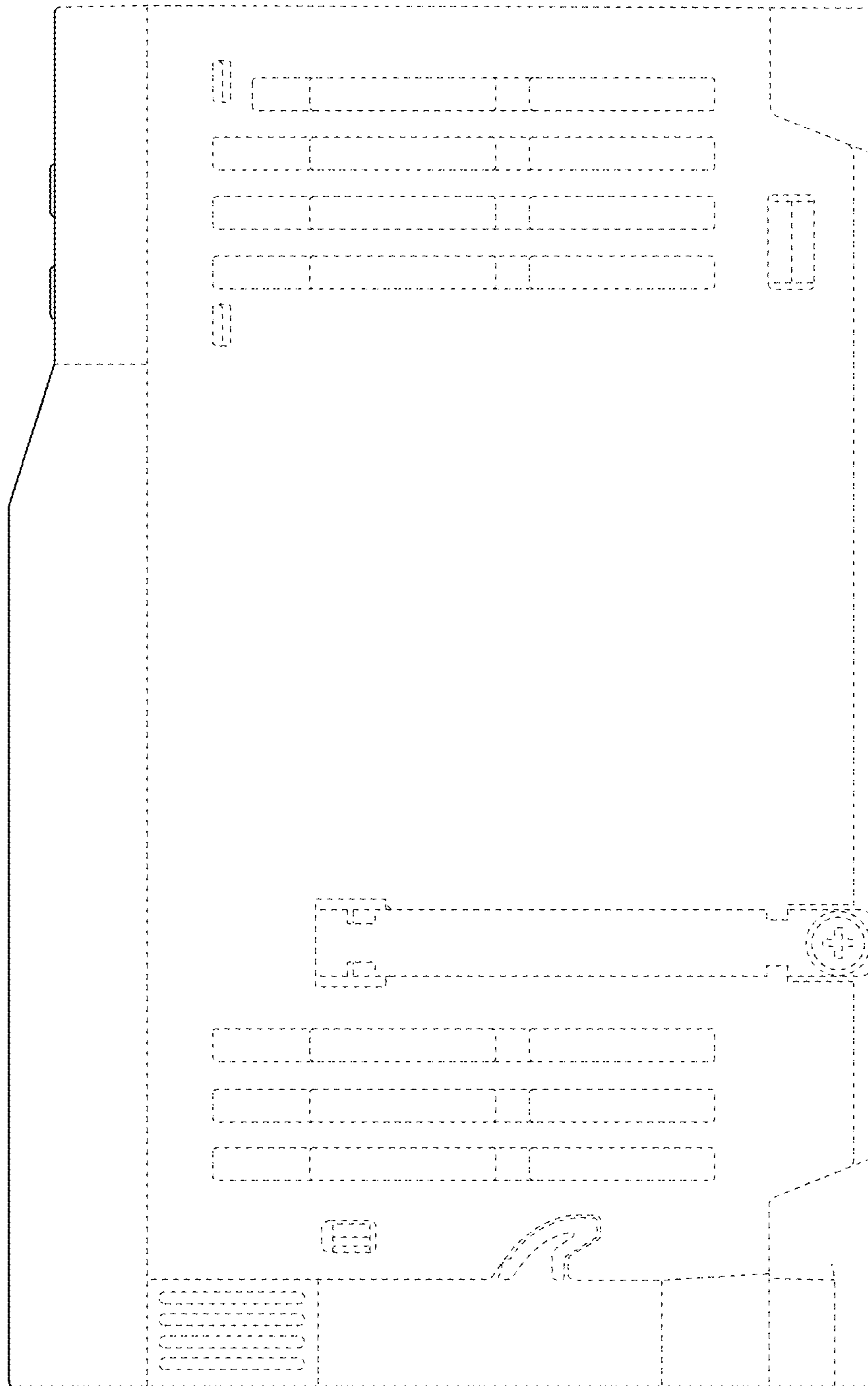


FIG. 16

