



US00D909969S

(12) **United States Design Patent** (10) **Patent No.:** **US D909,969 S**
Yoon (45) **Date of Patent:** **** Feb. 9, 2021**

(54) **WALL CHARGER**

(71) Applicant: **SPIGEN KOREA CO., LTD.**, Seoul (KR)

(72) Inventor: **Tae Sung Yoon**, Seoul (KR)

(73) Assignee: **SPIGEN KOREA CO., LTD.**, Seoul (KR)

(**) Term: **15 Years**

(21) Appl. No.: **29/676,434**

(22) Filed: **Jan. 10, 2019**

(51) **LOC (13) Cl.** **13-02**

(52) **U.S. Cl.**
USPC **D13/110**; D13/108

(58) **Field of Classification Search**
USPC D13/107–110, 118–119, 184; D14/251, D14/253, 432, 434
CPC Y02E 60/12; Y02T 90/14; Y02T 90/122; Y02T 90/128; Y02T 90/163; H02J 7/025; H02J 7/0042; H02J 7/0044; H02J 7/0045; H02J 7/0013; H02J 7/0003; H01F 38/14; H01R 13/6675; H01M 2/1022; H01M 2/1055; H01M 10/44; H01M 10/46; H01M 10/425; B60L 11/182
See application file for complete search history.

(56) **References Cited**

U.S. PATENT DOCUMENTS

D543,147 S * 5/2007 Ng D13/138.1
D623,136 S * 9/2010 Andre D13/138.1
D627,729 S * 11/2010 Smith D13/138.1

D683,314 S * 5/2013 Andre D13/138.1
D693,299 S * 11/2013 Zaslavsky D13/110
D697,029 S * 1/2014 Chiu D13/110
D704,630 S * 5/2014 Liu D13/108
D734,259 S * 7/2015 Cypress D13/110
D778,835 S * 2/2017 Akana D13/110
D790,465 S * 6/2017 Zhao D13/110
D867,287 S * 11/2019 Akana D13/110
D892,736 S * 8/2020 Jin D13/108
D892,737 S * 8/2020 Yuan D13/110

* cited by examiner

Primary Examiner — Nathaniel D. Buckner

(74) *Attorney, Agent, or Firm* — Heedong Chae; Lucem, PC

(57) **CLAIM**

The ornamental design for a wall charger, as shown and described.

DESCRIPTION

FIG. 1 is a front perspective view of a wall charger showing my new design;
FIG. 2 is a rear perspective view thereof;
FIG. 3 is a front elevational view thereof;
FIG. 4 is a rear elevational view thereof;
FIG. 5 is a left side elevational view thereof;
FIG. 6 is a right side elevational view thereof;
FIG. 7 is a top plan view thereof;
FIG. 8 is a bottom plan view thereof; and,
FIG. 9 is a front perspective view thereof in an environment of use.
The broken lines depict portions of the wall charger and environmental subject matter which form no part of the claimed design.

1 Claim, 9 Drawing Sheets

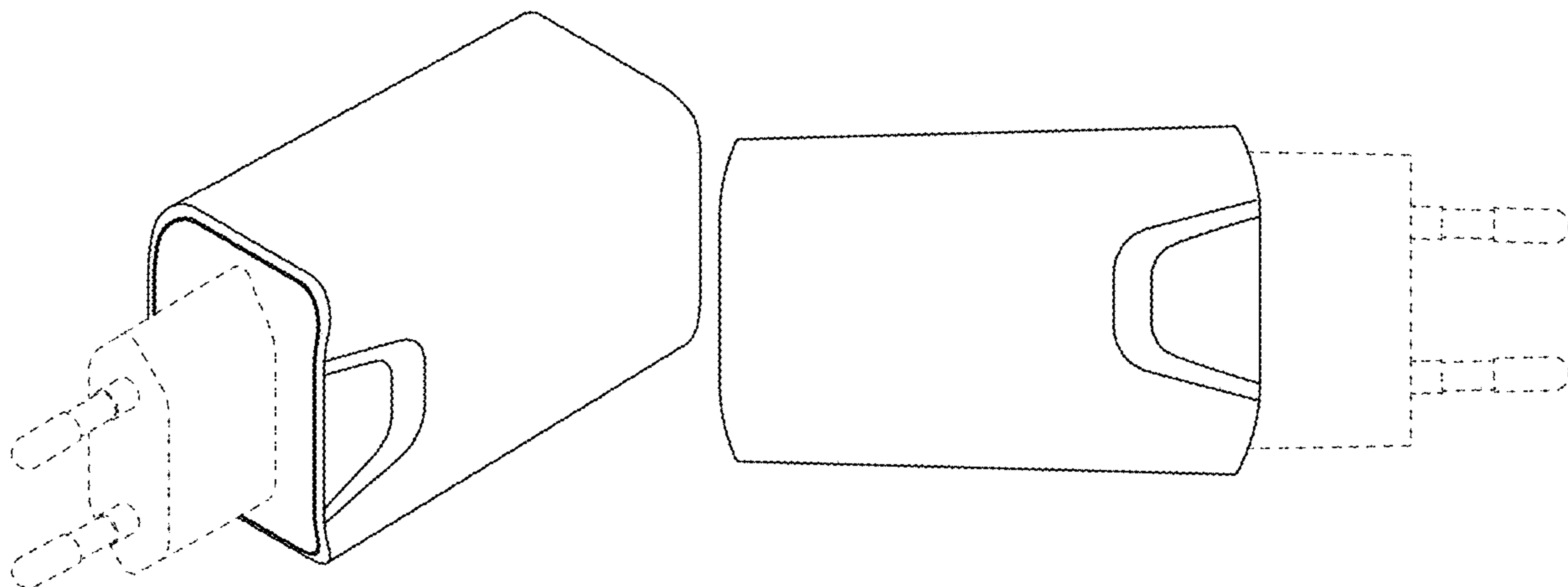


FIG. 1

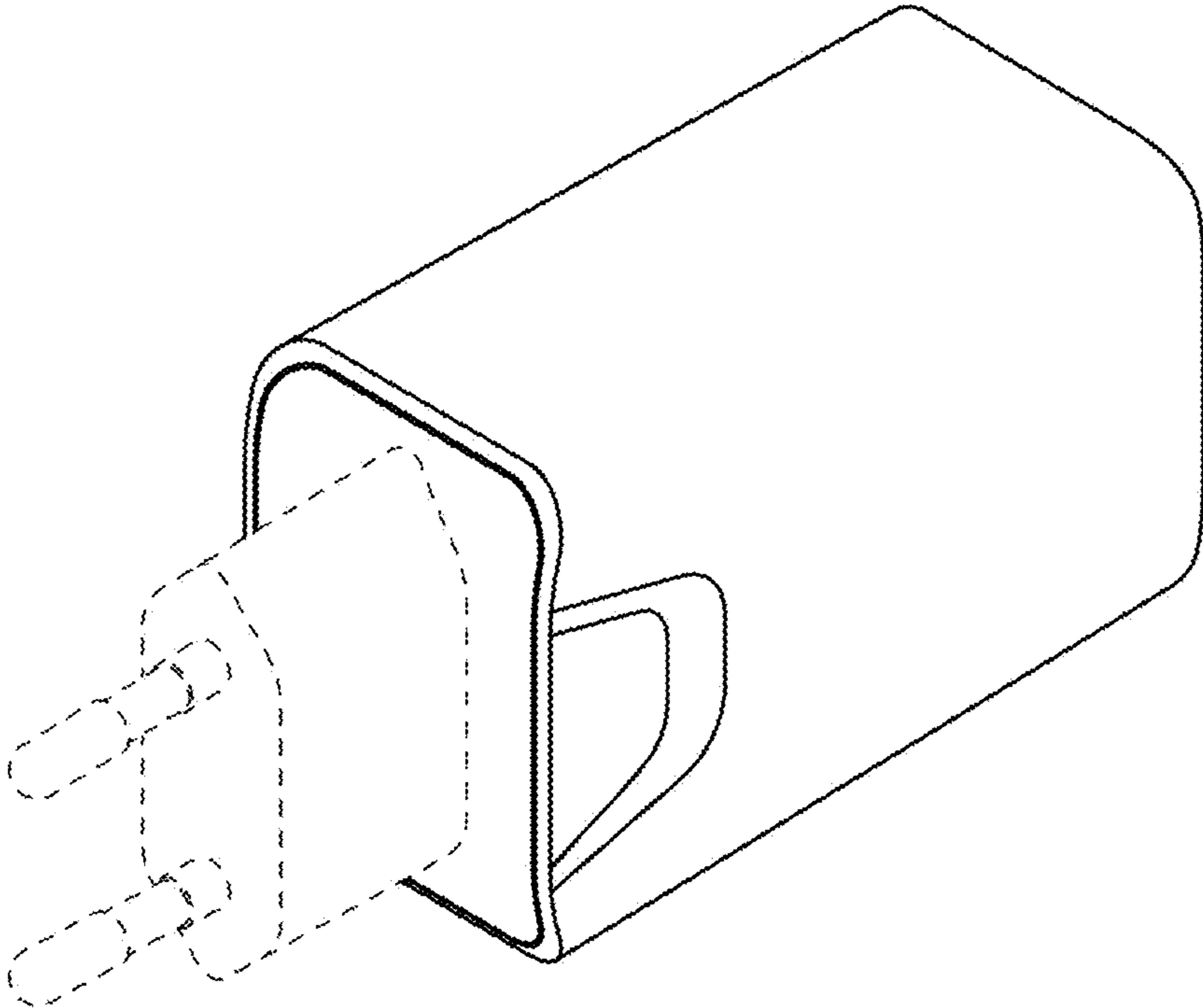


FIG. 2

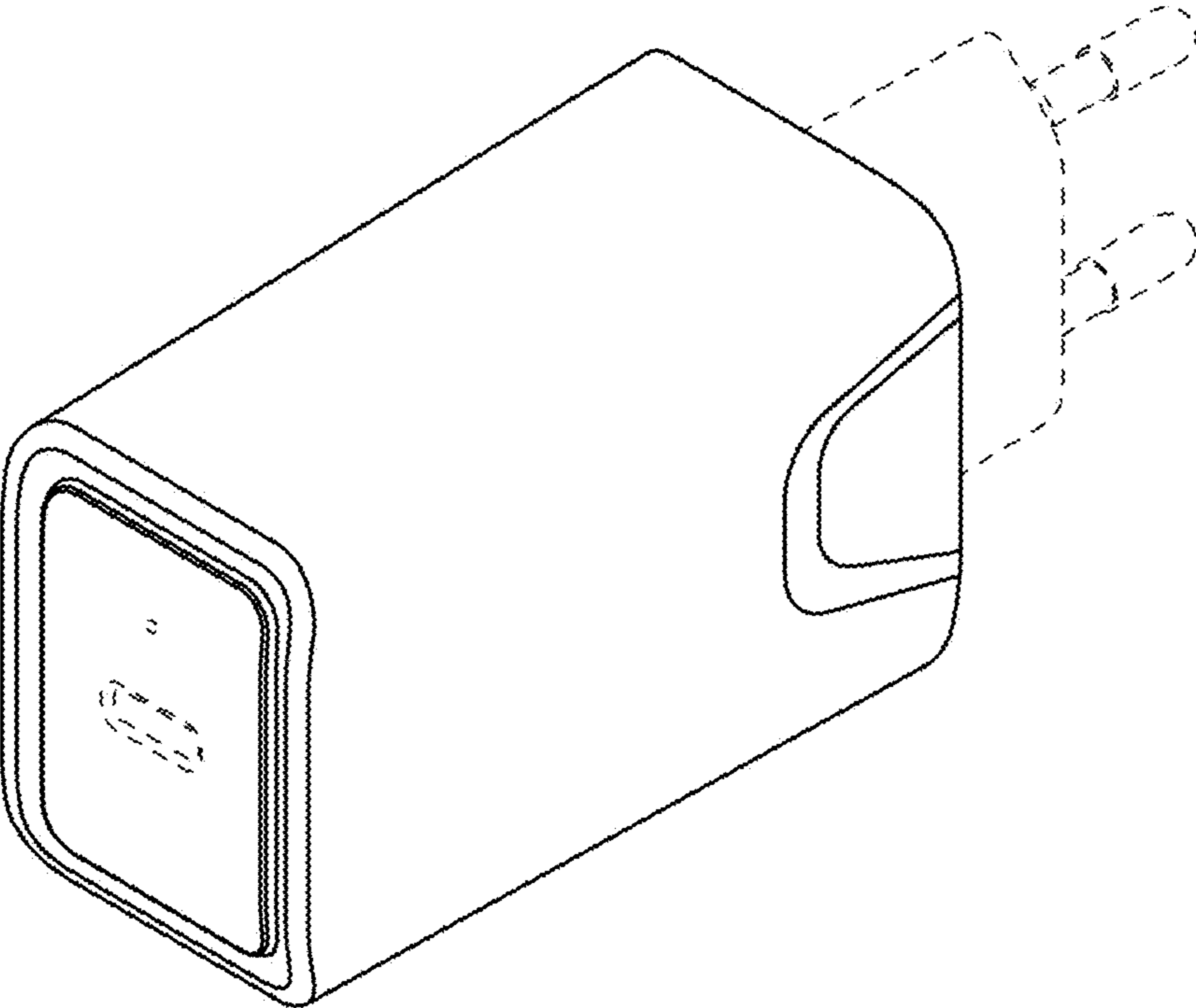


FIG. 3

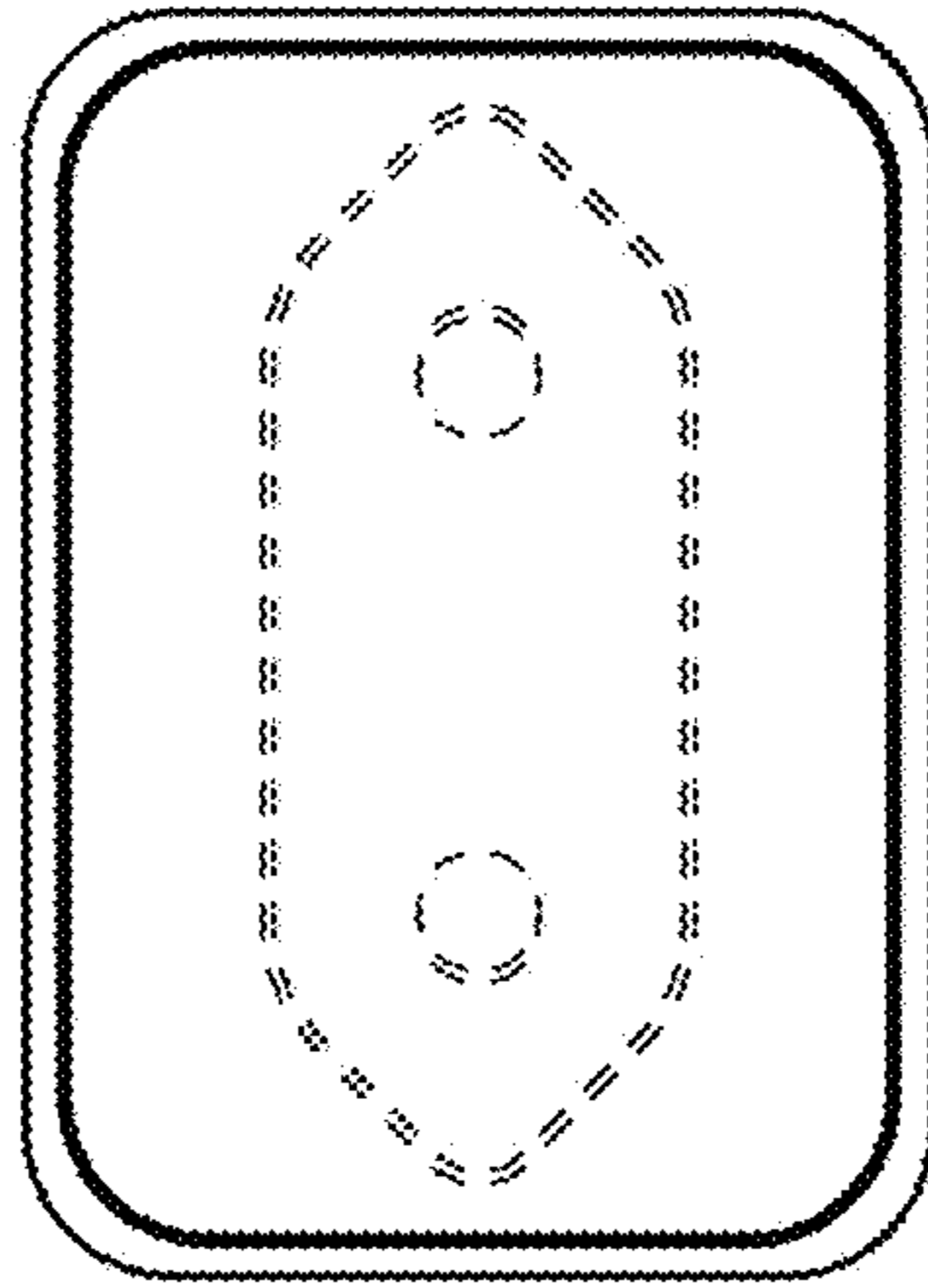


FIG. 4

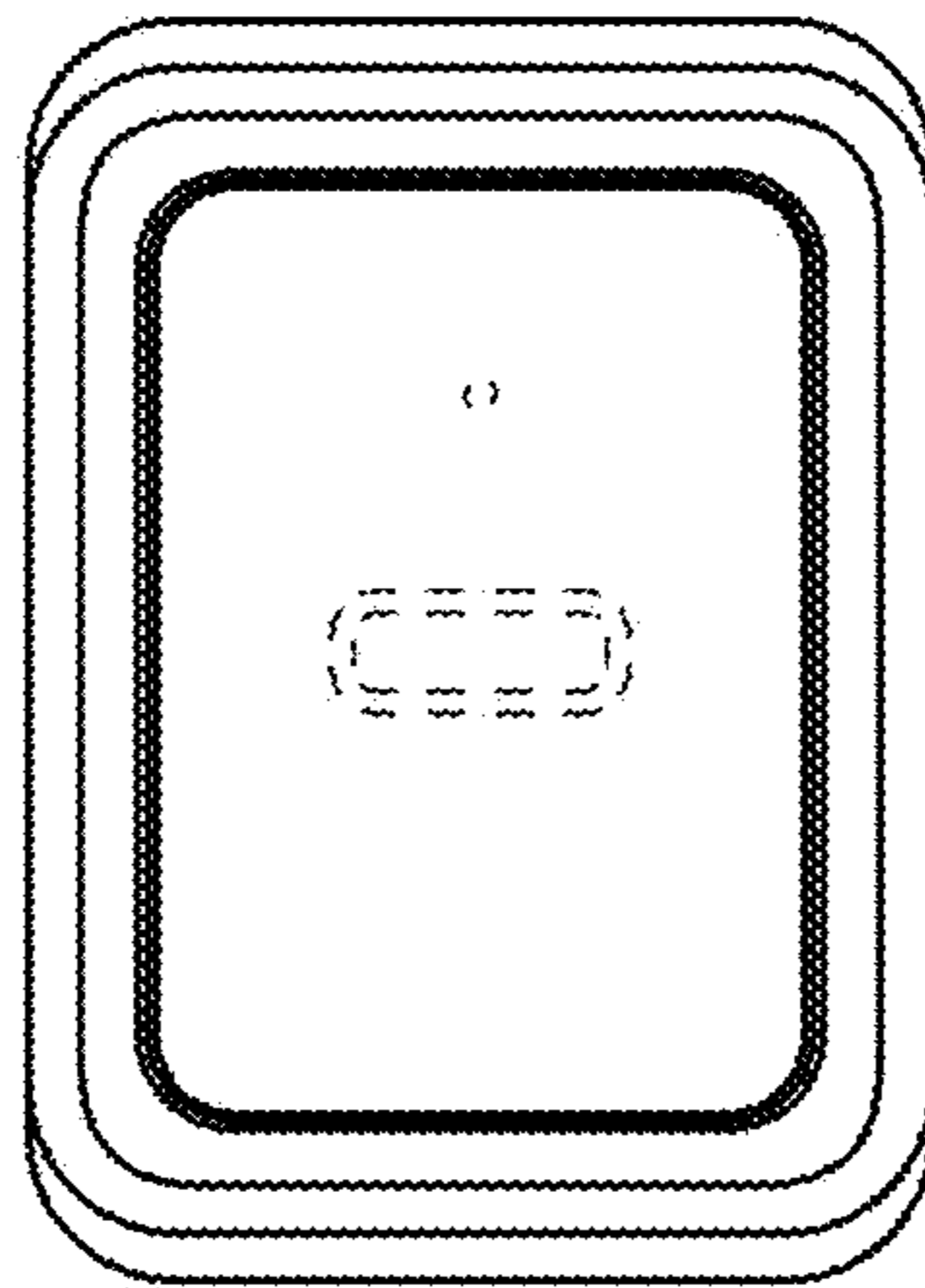


FIG. 5

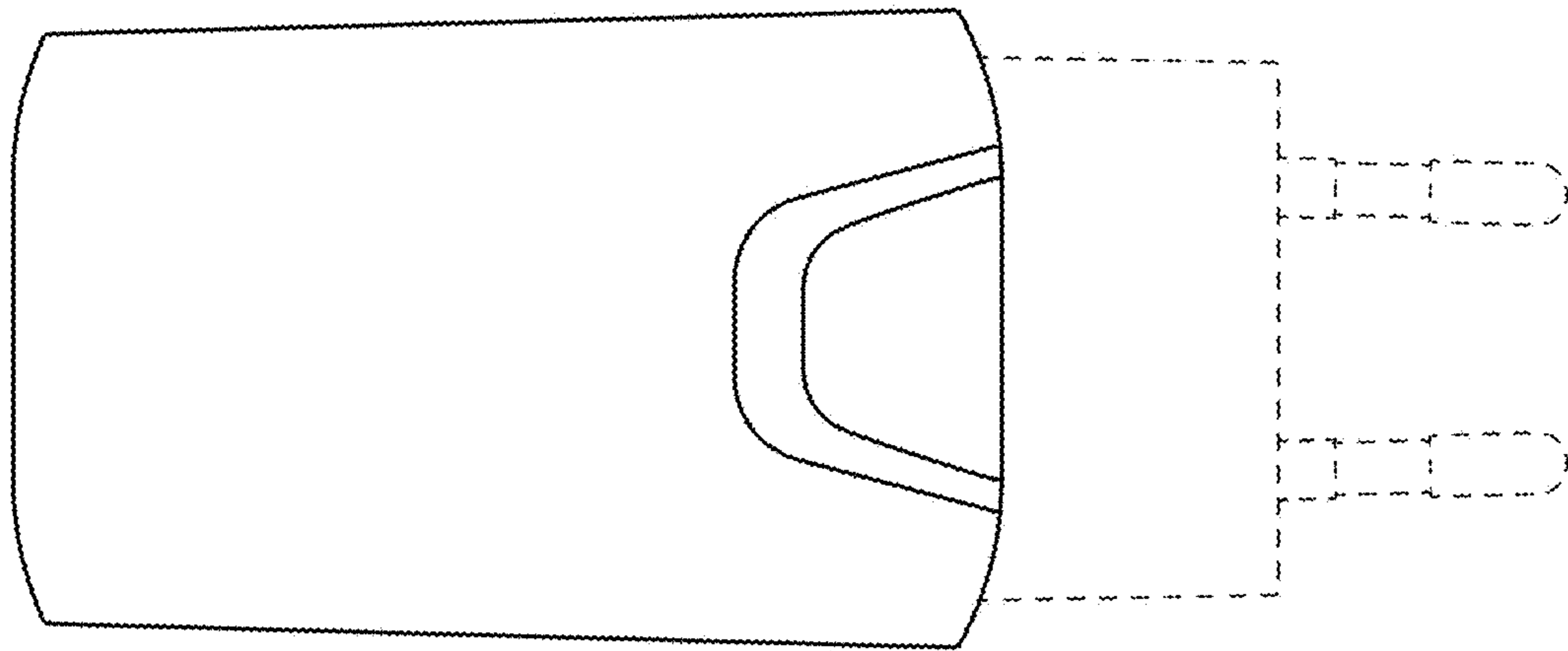


FIG. 6

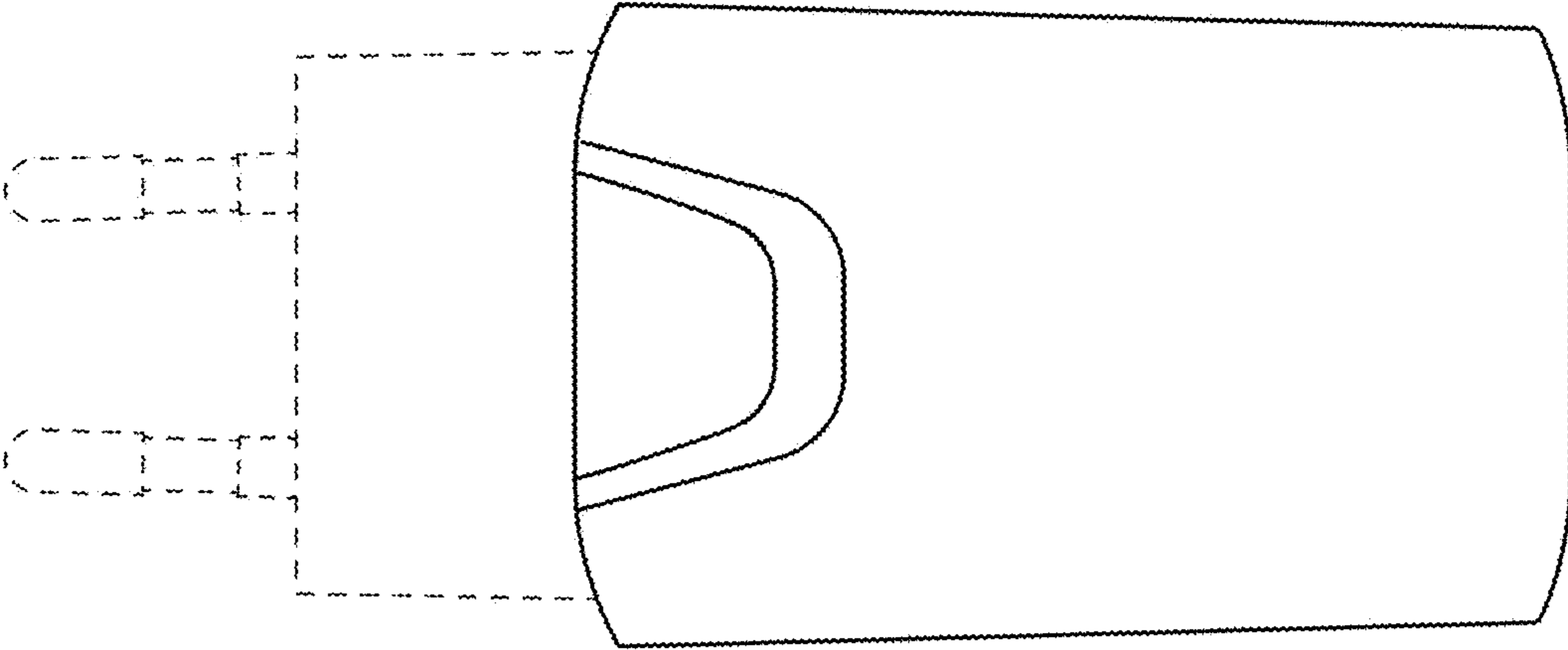


FIG. 7

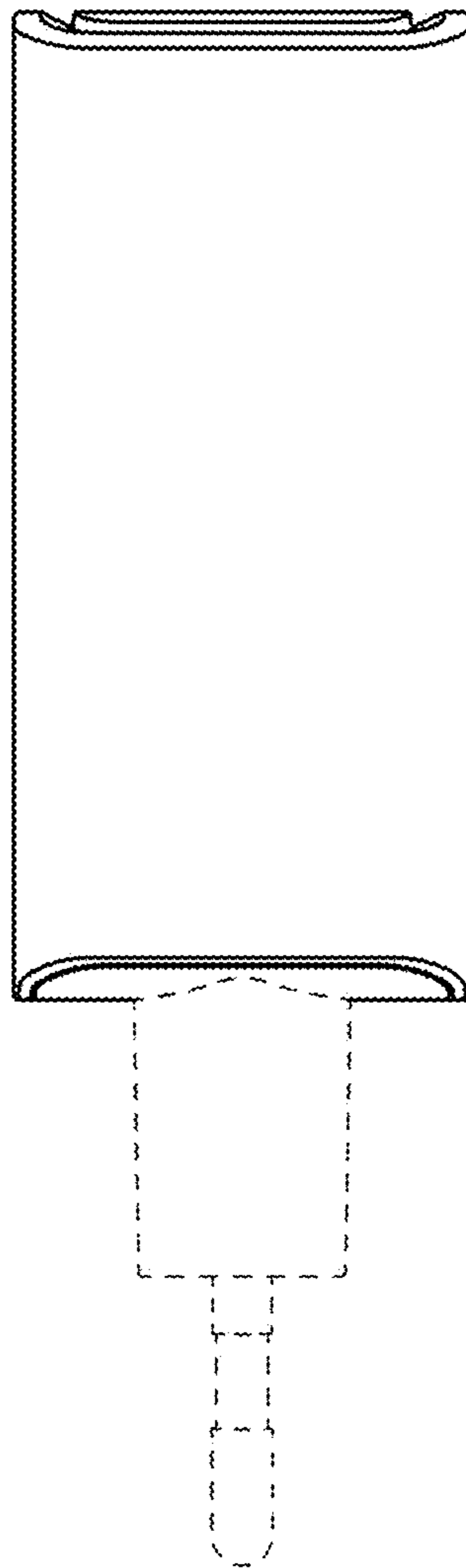


FIG. 8

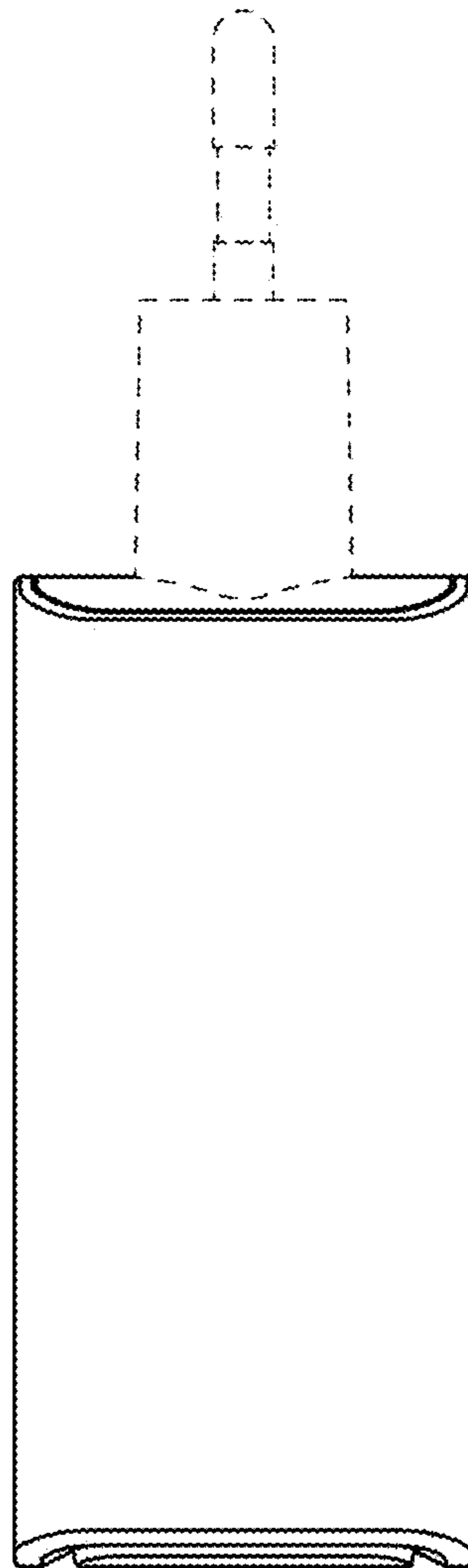


FIG. 9

