

US00D909967S

(12) **United States Design Patent** (10) **Patent No.:** **US D909,967 S**
Larson et al. (45) **Date of Patent:** **** Feb. 9, 2021**

(54) **POWER BANK**
(71) Applicant: **Ampere LLC**, Gloucester, MA (US)
(72) Inventors: **Chase Larson**, Denver, CO (US); **Reid Covington**, Brooklyn, NY (US); **Grant Shi**, Shanghai (CN); **George Du**, Shenzhen (CN)

D729,163 S * 5/2015 Meyer D13/107
D730,280 S * 5/2015 Koebler D13/107
D733,043 S * 6/2015 Hasbrook D13/103
D742,822 S * 11/2015 Ju D13/103
D743,332 S * 11/2015 Ju D13/103
D746,823 S * 1/2016 Lai D14/434
9,263,910 B2 2/2016 Amano et al.

(Continued)

(73) Assignee: **Ampere LLC**, Gloucester, MA (US)

(**) Term: **15 Years**

(21) Appl. No.: **29/729,719**

(22) Filed: **Mar. 30, 2020**

(51) **LOC (13) Cl.** **13-02**

(52) **U.S. Cl.**
USPC **D13/108**

(58) **Field of Classification Search**
USPC D13/103, 107-108, 110, 184, 199
CPC H02J 7/0044; H02J 7/0045; H02J 7/0042;
H02J 7/342; H02J 7/345; H02J 7/025;
H02J 7/0007; H02J 7/0027; H02J 50/00;
H02J 50/10; H02J 50/12; H02J 50/80;
H02J 50/40; H02J 50/402; H02J 50/50
See application file for complete search history.

(56) **References Cited**

U.S. PATENT DOCUMENTS

5,179,501 A * 1/1993 Ocken H05K 1/0278
174/254
D565,571 S * 4/2008 Trifilio D14/356
7,415,292 B2 8/2008 Park et al.
D617,268 S * 6/2010 Yen D13/108
D631,838 S * 2/2011 Cheng D13/108
D647,520 S * 10/2011 Wikel D14/253
D676,380 S * 2/2013 Sun D13/108
D705,782 S * 5/2014 McParland D14/435
D711,318 S * 8/2014 Xinfang D13/103
D713,786 S * 9/2014 Wen D13/103
D717,243 S * 11/2014 Liu D13/103

OTHER PUBLICATIONS

Zaniewski, Brent, "This Portable Wireless Charger Doubles as a 10400mAh Power Bank; Great for Home and Travel, the Vinsic 2-in-1 Charger Keeps You Cable-Free" (Article), 2 pages, published Jul. 29, 2015.

(Continued)

Primary Examiner — Rosemary K Tarcza

(74) *Attorney, Agent, or Firm* — Holzer Patel Drennan

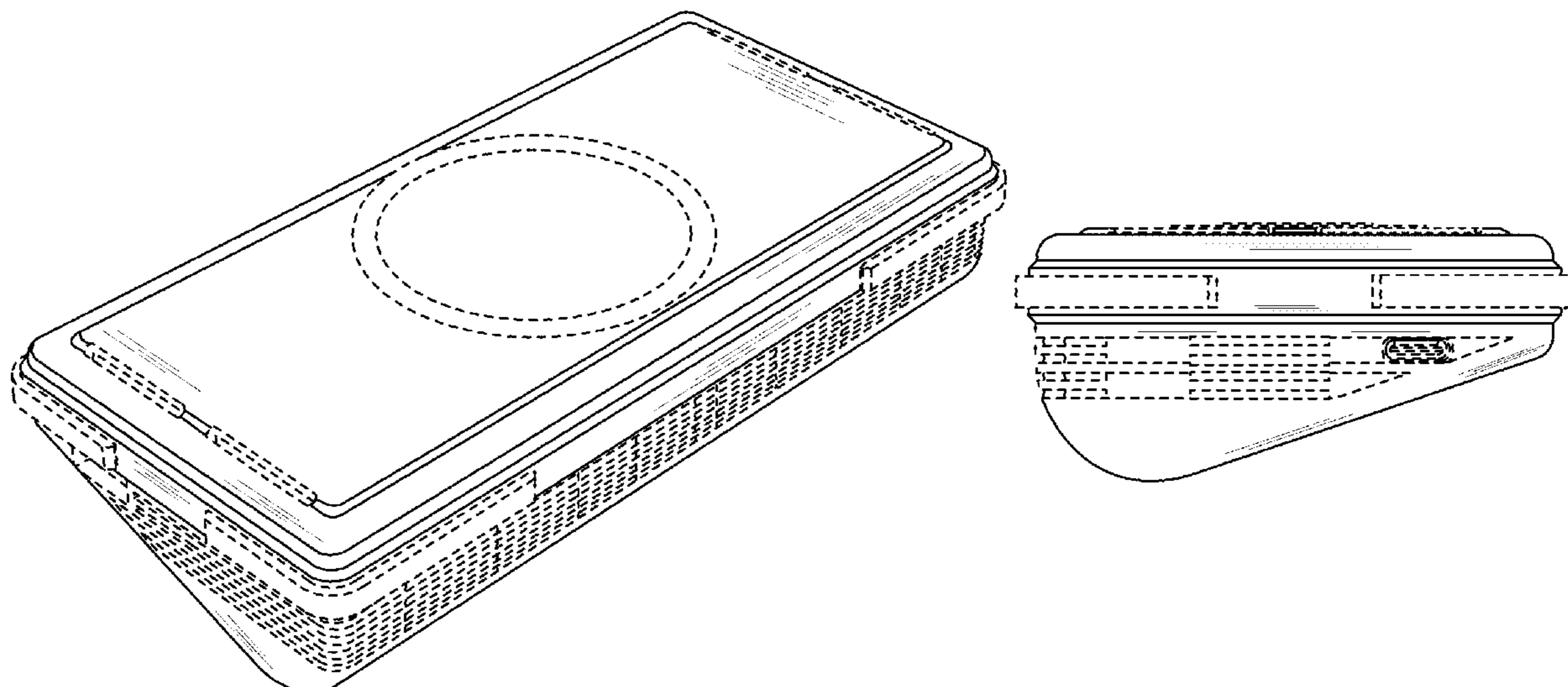
(57) **CLAIM**

The ornamental design for a power bank, as shown and described.

DESCRIPTION

FIG. 1 is a top perspective view of a power bank, showing our new design.
FIG. 2 is another perspective view of the power bank, shown in an environment of use.
FIG. 3 is another perspective view of the power bank, shown in another environment of use.
FIG. 4 top plan view of the power bank.
FIG. 5 is a bottom plan view of the power bank.
FIG. 6 is a left side elevation view of the power bank.
FIG. 7 is a right side elevation view of the power bank.
FIG. 8 is a rear elevation view of the power bank; and, FIG. 9 is a front elevation view of the power bank.
The broken lines shown in FIGS. 1-9 are for the purpose of illustrating portions of the power bank that form no part of the claimed design.

1 Claim, 9 Drawing Sheets



(56)

References Cited

U.S. PATENT DOCUMENTS

9,318,904 B2 4/2016 Malladi
 D762,170 S * 7/2016 Lei D13/108
 9,401,621 B2 7/2016 Amano et al.
 D762,648 S * 8/2016 Akana D14/434
 D762,649 S * 8/2016 Akana D14/434
 D763,185 S * 8/2016 Wen D13/103
 D763,790 S * 8/2016 Lei D13/108
 D781,841 S * 3/2017 Salathe D14/253
 D791,070 S * 7/2017 Son D13/103
 D803,779 S * 11/2017 Jung D13/107
 D812,000 S * 3/2018 Li D13/108
 D821,306 S * 6/2018 Liu D13/107
 D823,243 S * 7/2018 Toscani D13/107
 D824,328 S * 7/2018 Liu D13/108
 D826,854 S * 8/2018 Roberts D13/108
 D838,241 S * 1/2019 Xie D13/108
 D842,244 S * 3/2019 Li D13/108
 D842,518 S * 3/2019 Griffin D26/51

D844,560 S * 4/2019 Miller D13/108
 D861,597 S * 10/2019 Gan D13/108
 D870,034 S * 12/2019 Lai D13/103
 D871,324 S * 12/2019 Roberts D13/108
 D871,329 S * 12/2019 Chen D13/108
 D875,675 S * 2/2020 Zhang D13/108
 D877,070 S * 3/2020 Lemelson D13/108
 D884,609 S * 5/2020 Gan D13/107
 D885,327 S * 5/2020 Leeds-Frank D13/103

OTHER PUBLICATIONS

Good Design Award, "Wireless Charging Device (Wireless Charging Orb for Nexus 4 [WCP-400]); Complete List of Winners; Good Design Award", website: <https://www.g-mark.org/award/describe/39926>, 2 pages, printed on Mar. 11, 2020.

Hill, Simon, "Trending News: Huawei P40 Pro hands-on" (Article), 4 pages, published Mar. 10, 2020.

* cited by examiner

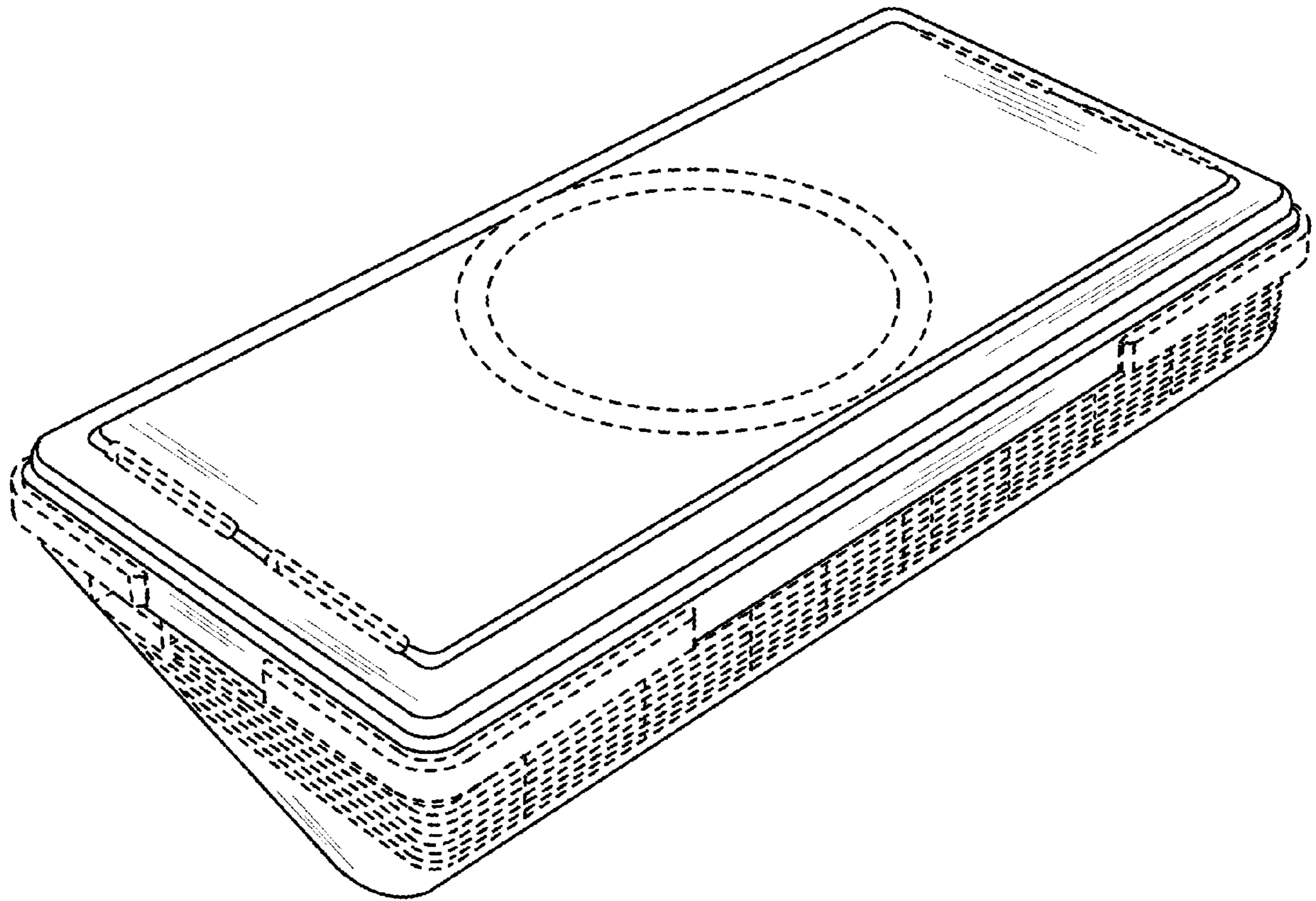


FIG. 1

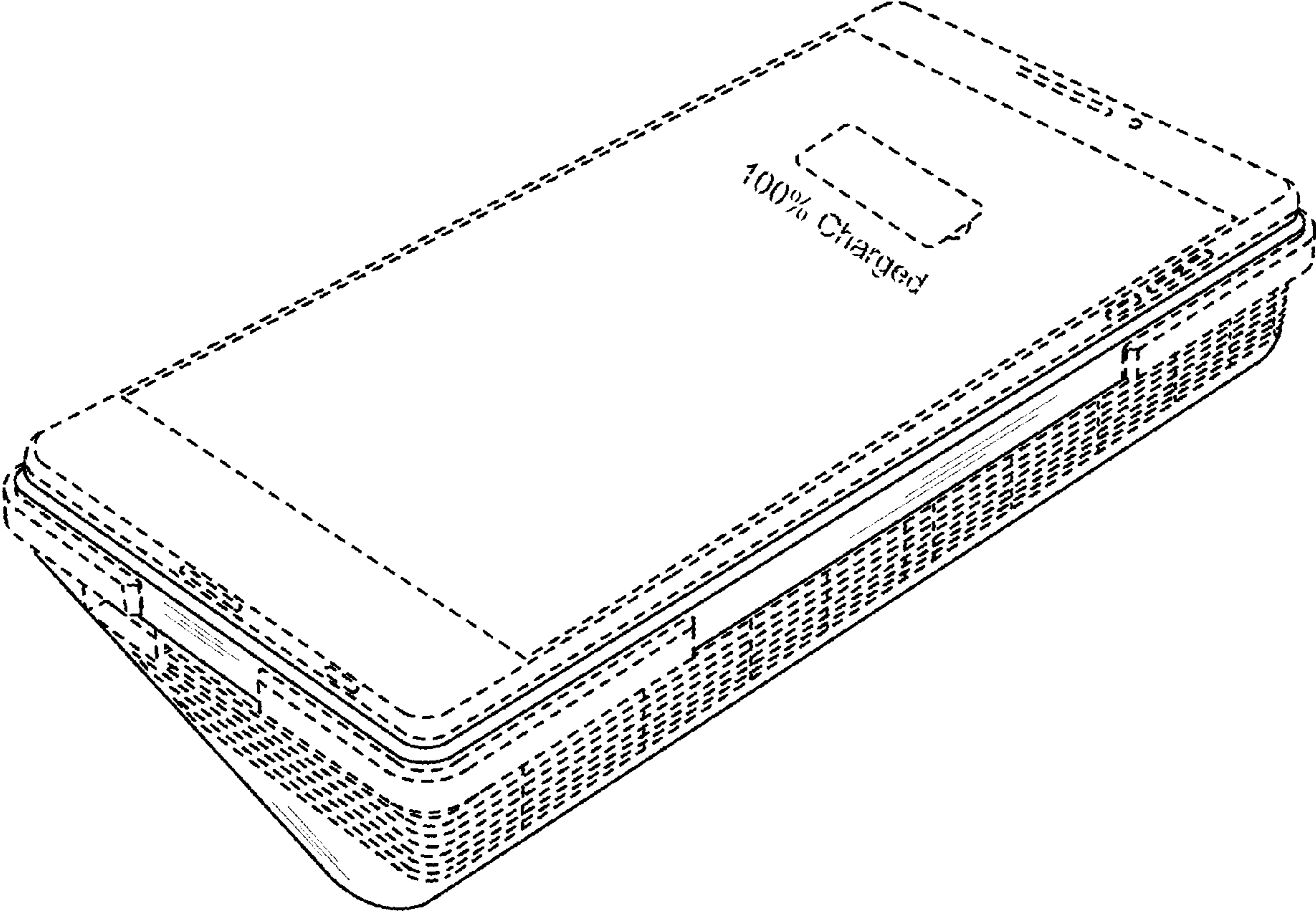


FIG. 2

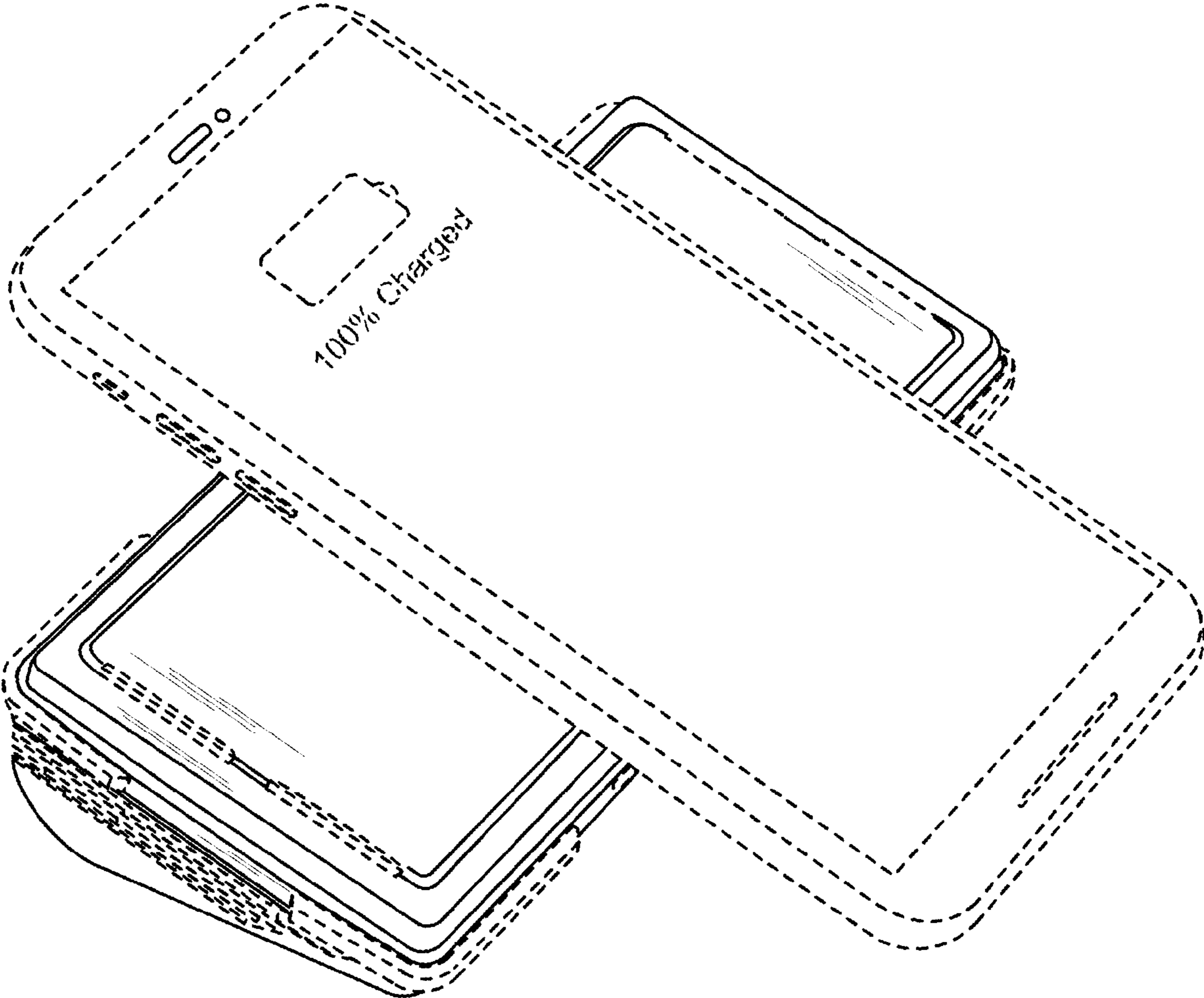


FIG. 3

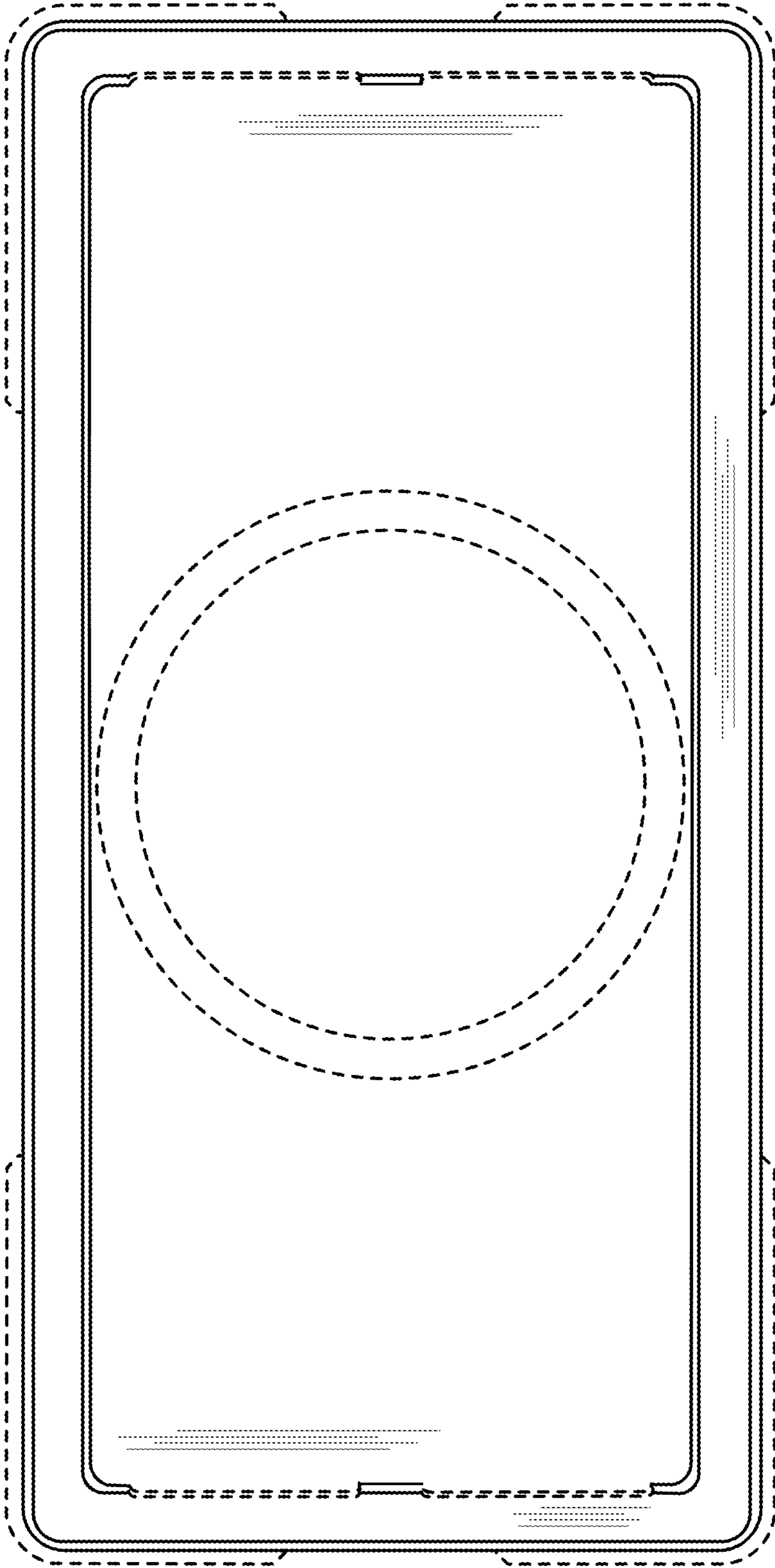


FIG. 4

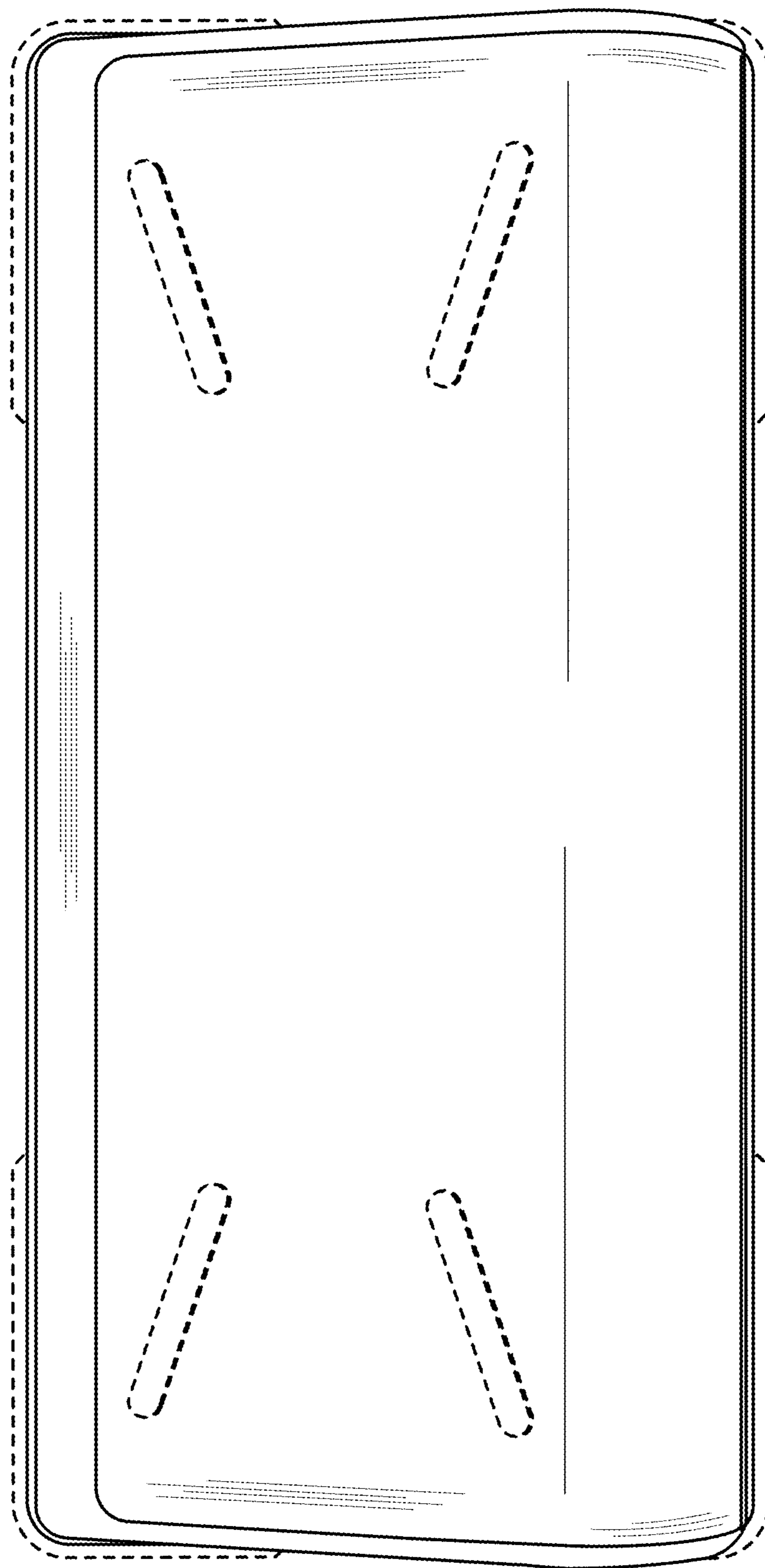


FIG. 5

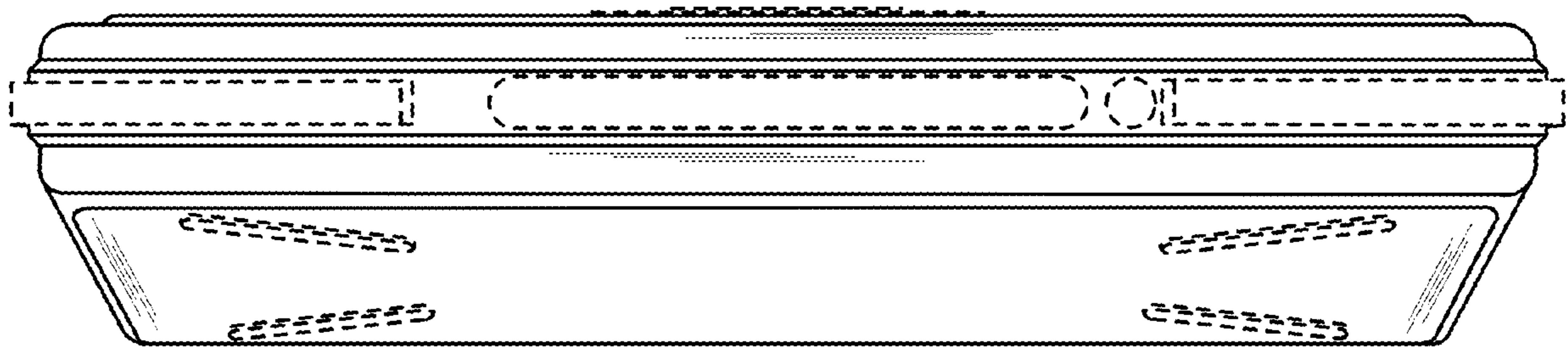


FIG. 6

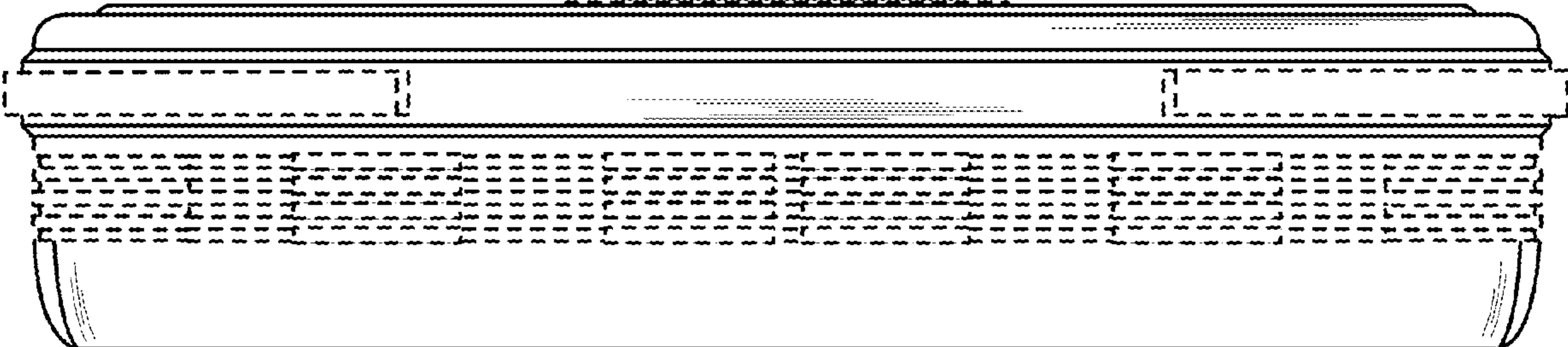


FIG. 7

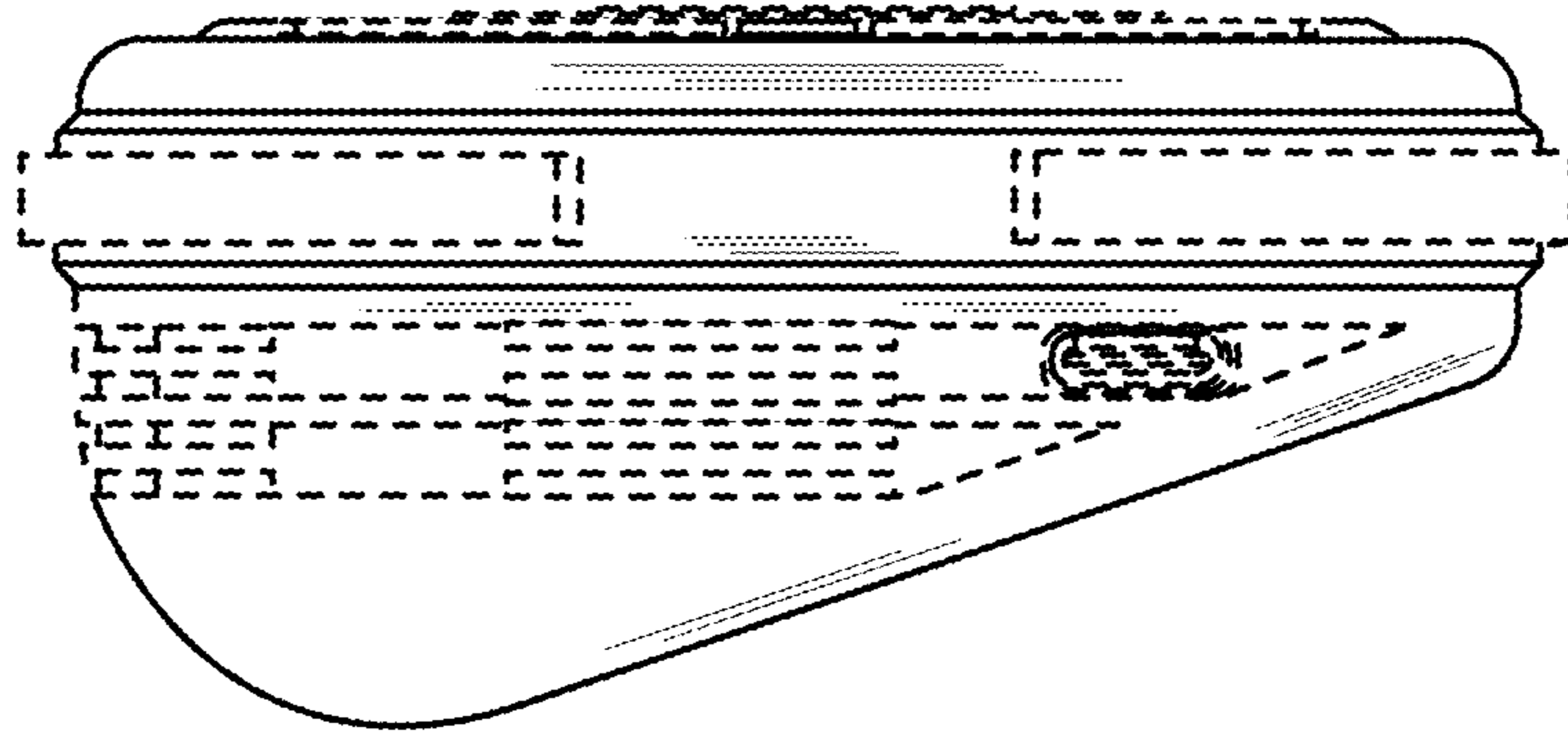


FIG. 8

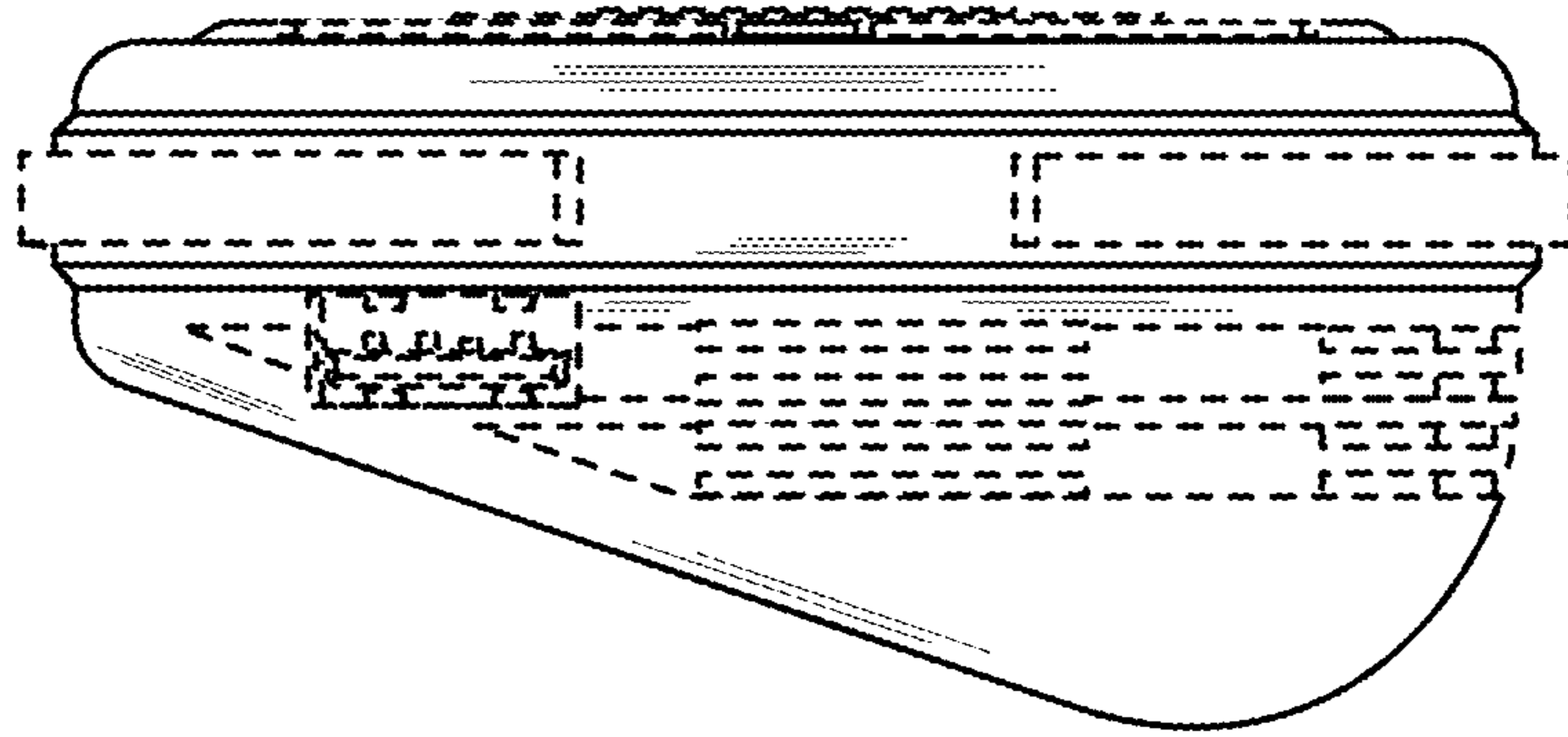


FIG. 9