



US00D909963S

(12) **United States Design Patent** (10) **Patent No.:** **US D909,963 S**
Liang et al. (45) **Date of Patent:** **** Feb. 9, 2021**

(54) **BATTERY FOR AN ELECTRONIC DEVICE**

(71) Applicant: **Apple Inc.**, Cupertino, CA (US)

(72) Inventors: **Jiahui Liang**, Sunnyvale, CA (US);
Sherry Tang, Cupertino, CA (US)

(73) Assignee: **Apple Inc.**, Cupertino, CA (US)

(**) Term: **15 Years**

(21) Appl. No.: **29/661,786**

(22) Filed: **Aug. 30, 2018**

(51) **LOC (13) Cl.** **13-02**

(52) **U.S. Cl.**
USPC **D13/103**

(58) **Field of Classification Search**
USPC D13/102–106, 110, 118–119, 184
CPC Y02E 60/12; Y02E 60/122; Y02E 60/124;
Y02E 60/50; H01M 2/02; H01M 2/022;
H01M 2/0202; H01M 2/0207; H01M
2/0212; H01M 2/1061; H01M 2/1022;
H01M 2/1055; H01M 2/1066; H01M
2/105; H01M 2/204; H01M 2/1016;
H01M 2200/00; H01M 10/4257; H01M
10/0436; H01M 10/48; H01M 10/42

See application file for complete search history.

(56) **References Cited**

U.S. PATENT DOCUMENTS

D334,169 S 3/1993 Antonczak
D342,478 S 12/1993 Brunner et al.
6,482,544 B1 * 11/2002 Shiota H01M 2/0212
429/176
D479,192 S * 9/2003 Fujihara D13/103
D479,193 S * 9/2003 Fujihara D13/103
D532,363 S * 11/2006 Morisawa D13/103
D669,436 S * 10/2012 Moore D13/119
D669,849 S * 10/2012 Morisawa D13/103
D677,620 S 3/2013 Corbin et al.
D678,184 S 3/2013 Banko et al.
D684,531 S * 6/2013 Moon D13/103

D693,297 S 11/2013 Inskeep
D697,473 S 1/2014 Guccione et al.
D700,135 S * 2/2014 Sato D13/103
D702,236 S 4/2014 Gelinotte et al.
D703,647 S 4/2014 Kim
D703,651 S 4/2014 Ehrlich
D708,267 S * 7/2014 Moore D13/119
D711,311 S 8/2014 Corbin et al.
D719,085 S 12/2014 Aoyagi et al.

(Continued)

OTHER PUBLICATIONS

“9 Cell Laptop Battery for Apple MacBook Pro 15" A1150 A1175 MA348G/A Silver New” Retrieved: Oct. 9, 2015. ebay. <http://www.ebay.com/itm/9-Cell-Laptop-Battery-for-Apple-MacBook-Pro-15-A1-150-A1175-MA348G-A-Silver-New/400349653463>.

(Continued)

Primary Examiner — Nathaniel D. Buckner
(74) *Attorney, Agent, or Firm* — Sterne, Kessler, Goldstein & Fox P.L.L.C.

(57) **CLAIM**

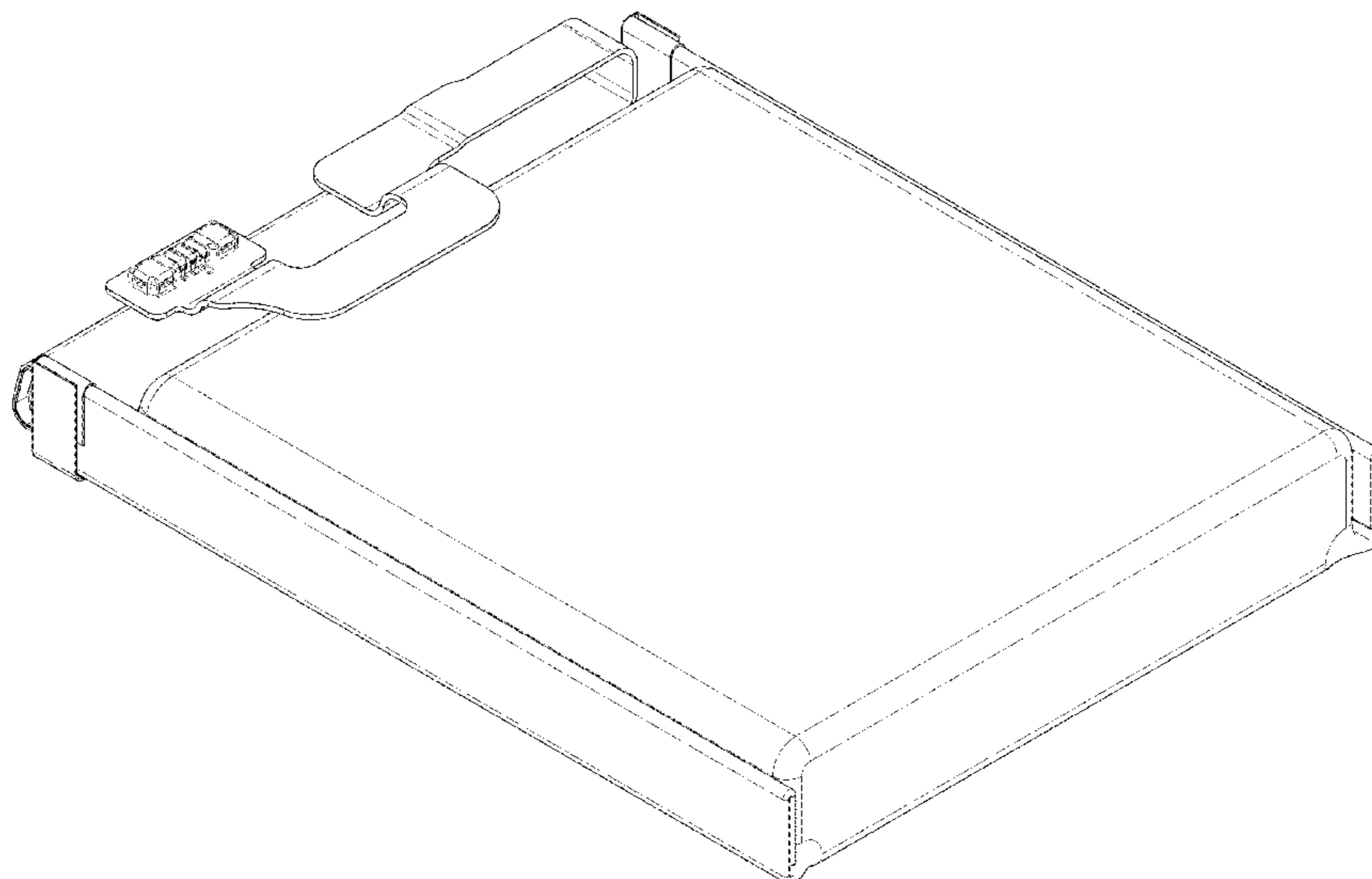
The ornamental design for a battery for an electronic device, as shown and described.

DESCRIPTION

FIG. 1 is a bottom front perspective view of a battery for an electronic device showing the claimed design;
FIG. 2 is a bottom rear perspective view thereof;
FIG. 3 is a front view thereof;
FIG. 4 is a rear view thereof;
FIG. 5 is a left side view thereof;
FIG. 6 is a right side view thereof;
FIG. 7 is a top view thereof; and,
FIG. 8 is a bottom view thereof.

The broken lines in the figures show portions of the battery for an electronic device that form no part of the claimed design.

1 Claim, 6 Drawing Sheets



(56)

References Cited

U.S. PATENT DOCUMENTS

D719,087	S	12/2014	Bataillou et al.	
D729,729	S	5/2015	Rabalais et al.	
D729,805	S	5/2015	Bataillou et al.	
D730,306	S	5/2015	Tang et al.	
D762,565	S	8/2016	Akana et al.	
D768,074	S *	10/2016	Park	D13/103
D788,030	S *	5/2017	Park	D13/103
2013/0115487	A1 *	5/2013	Park	H01M 2/0212
				429/56
2013/0143084	A1 *	6/2013	Kim	H01M 2/348
				429/90

OTHER PUBLICATIONS

“Apple MacBook Pro 17 inch A1189 A1212 A1229 A1261 661-4231 661-4618 Laptop Battery.” First comment posted: Jun. 27, 2013. Laptop Battery Express. <http://www.laptopbatteryexpress.com/Apple-MacBook-Pro-17-inch-la-ptop-battery-A1189-p/app-24.htm>.

“Replacement HP Pavillion ZV5200 battery.” Posted: Jan. 26, 2010. yourbattery. <http://www.my-laptop-battery.com/index.php?main.sub.--page=products.sub.--new>.

* cited by examiner

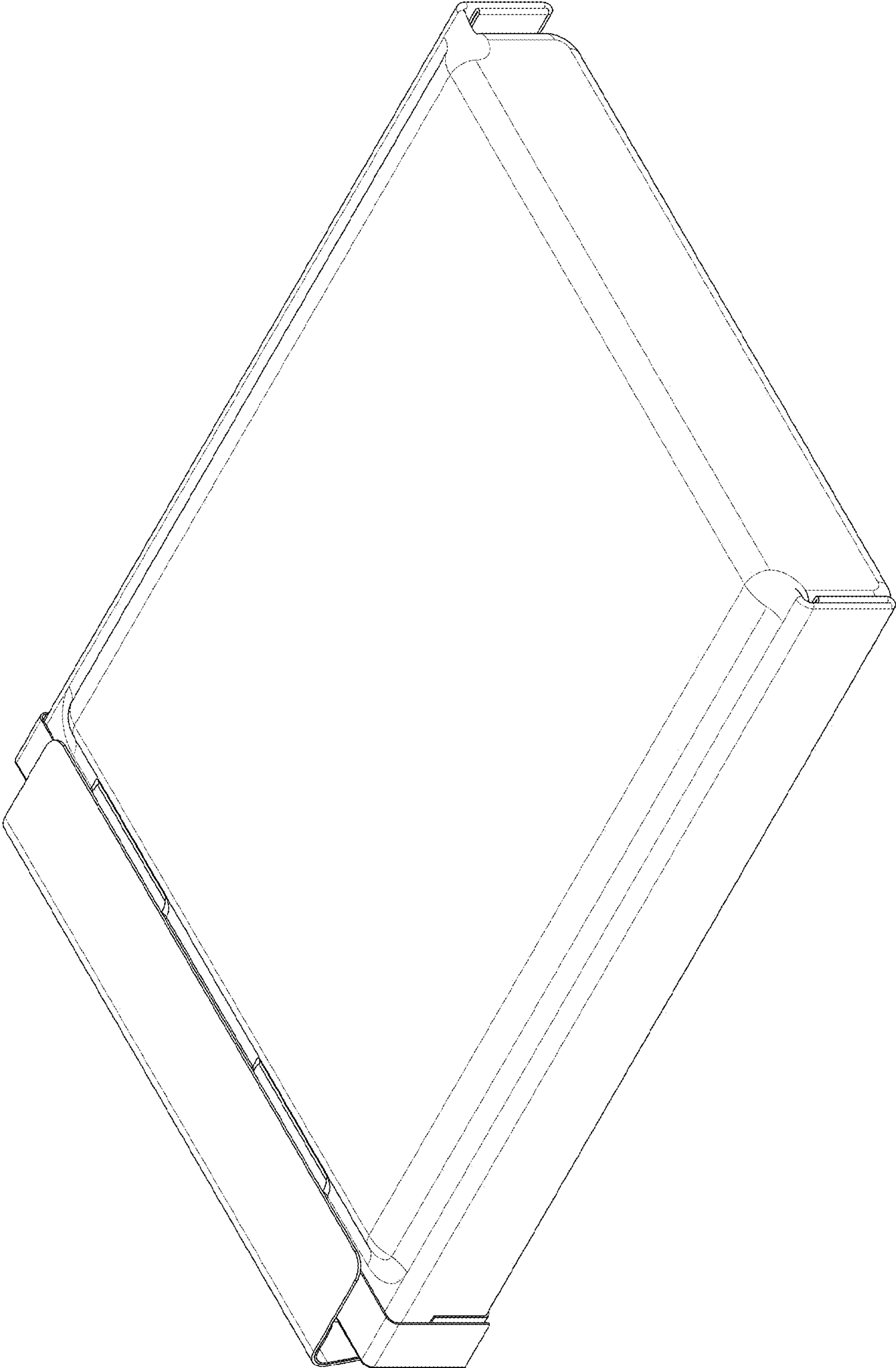


FIG. 1

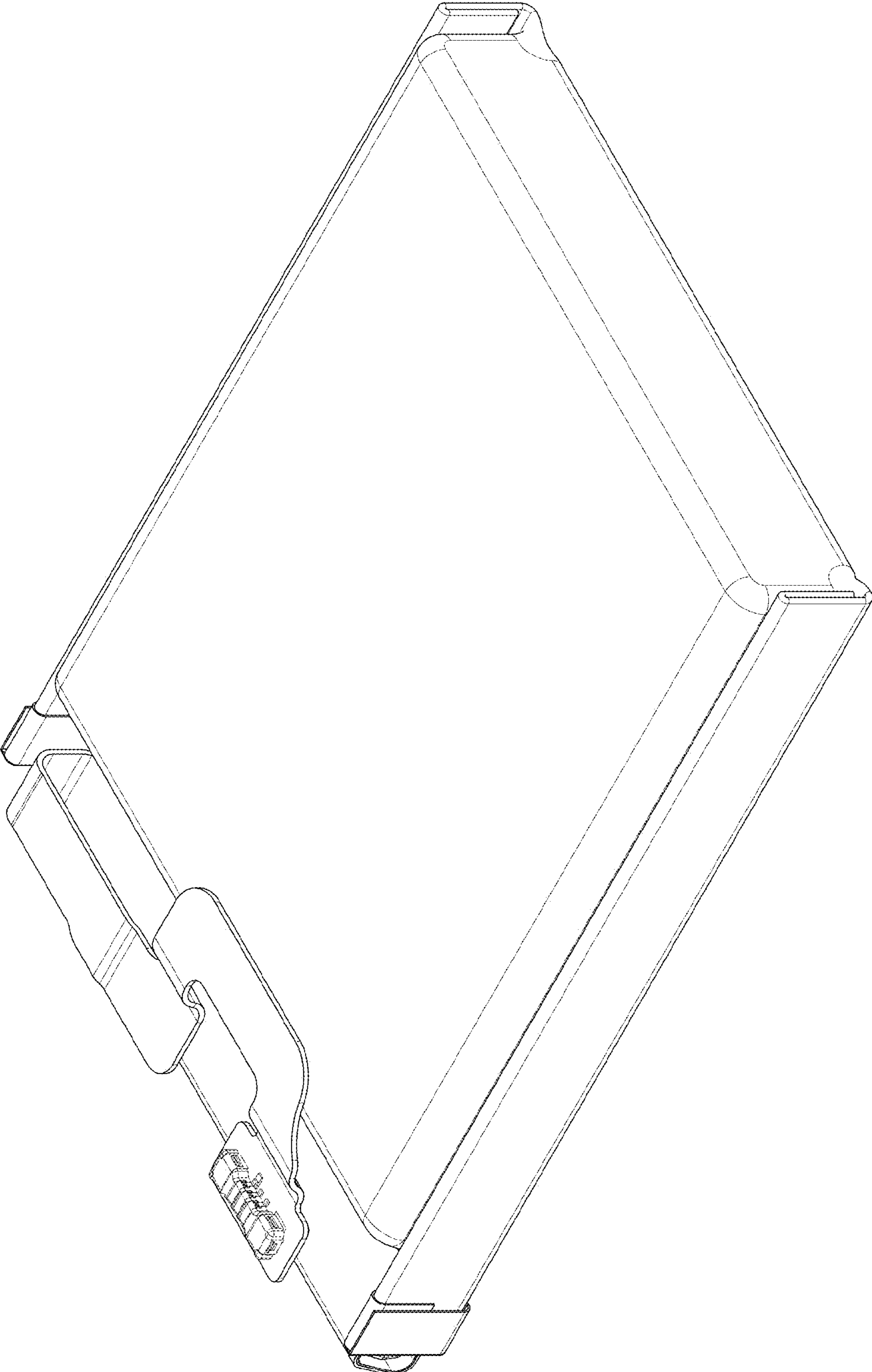


FIG. 2

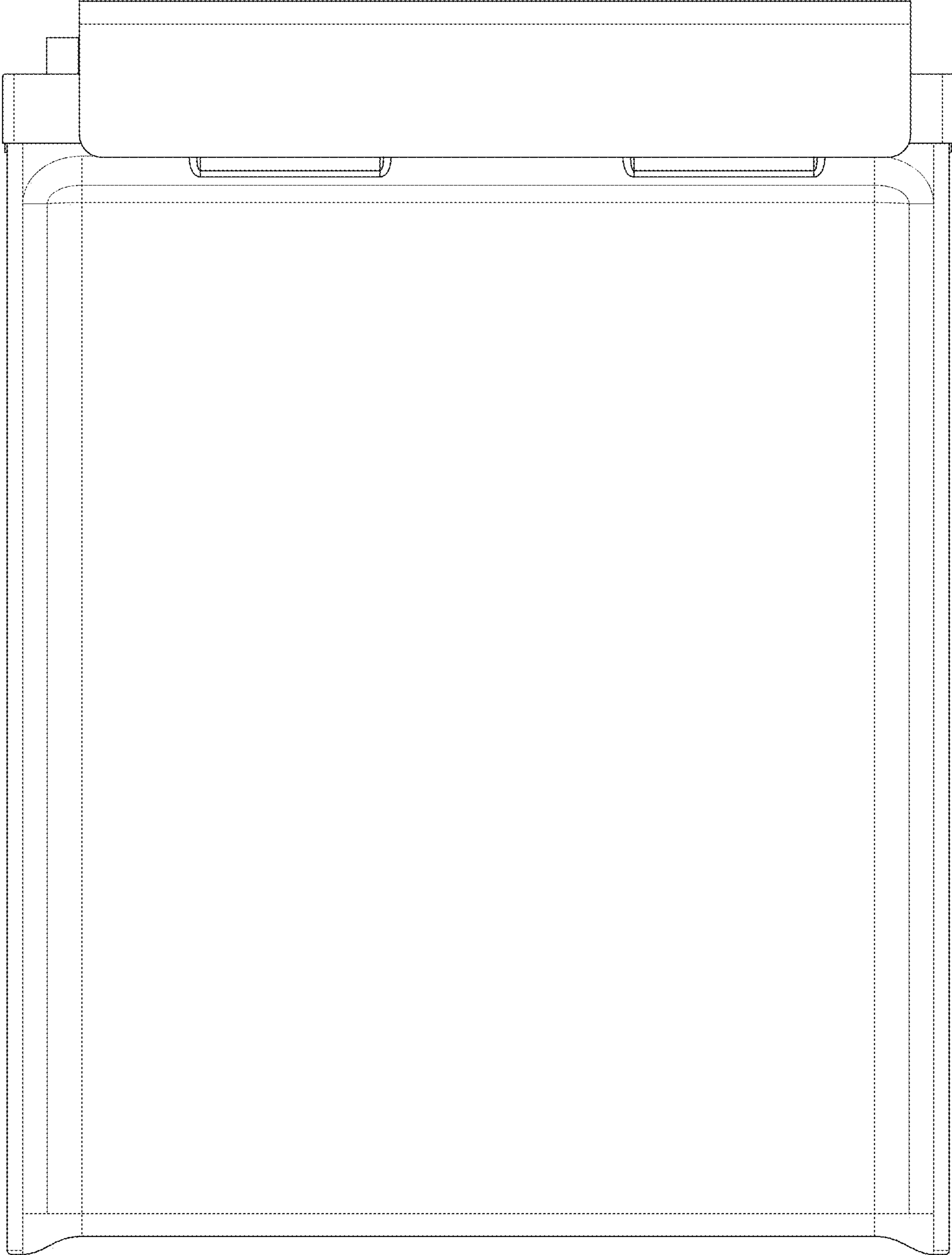


FIG. 3

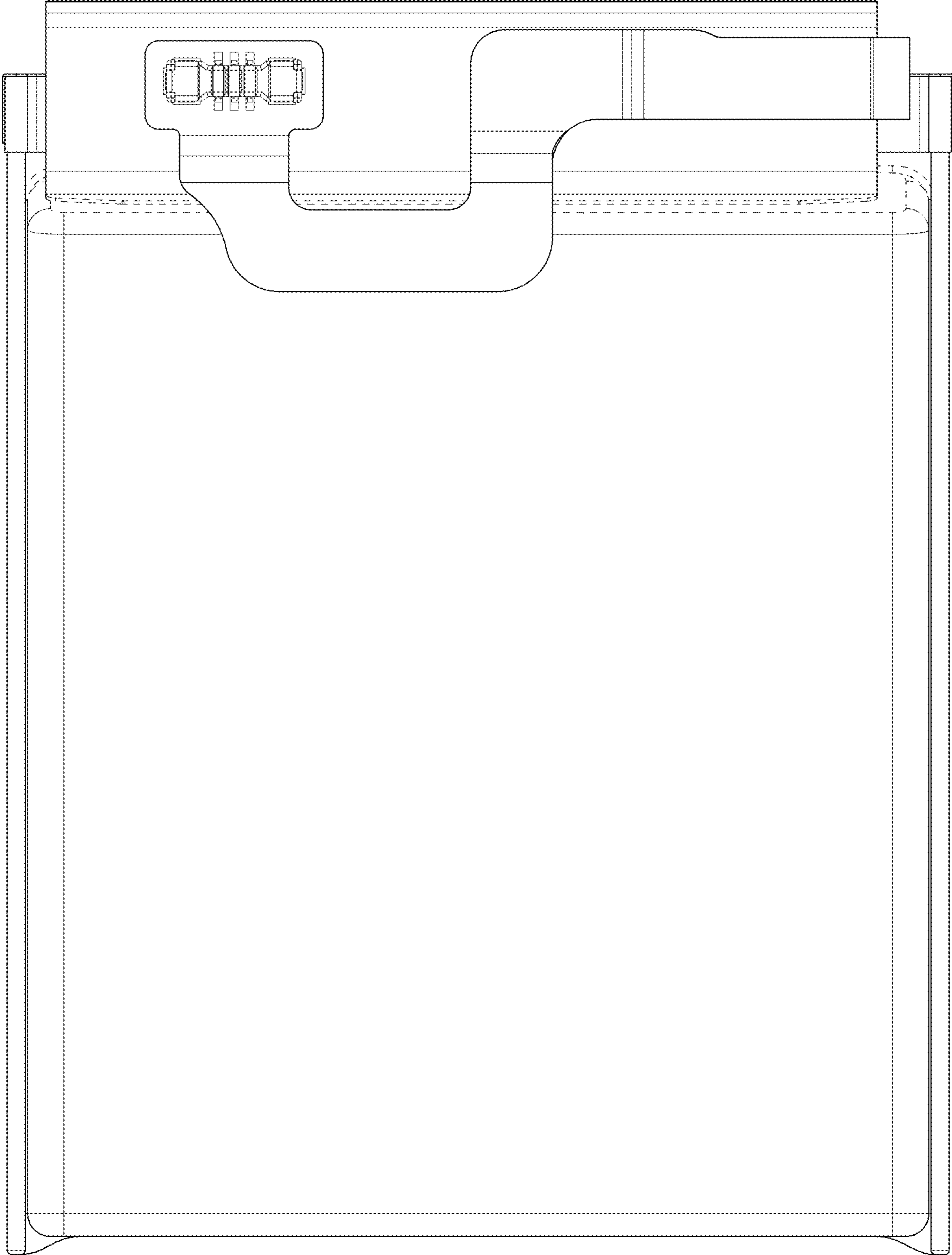


FIG. 4

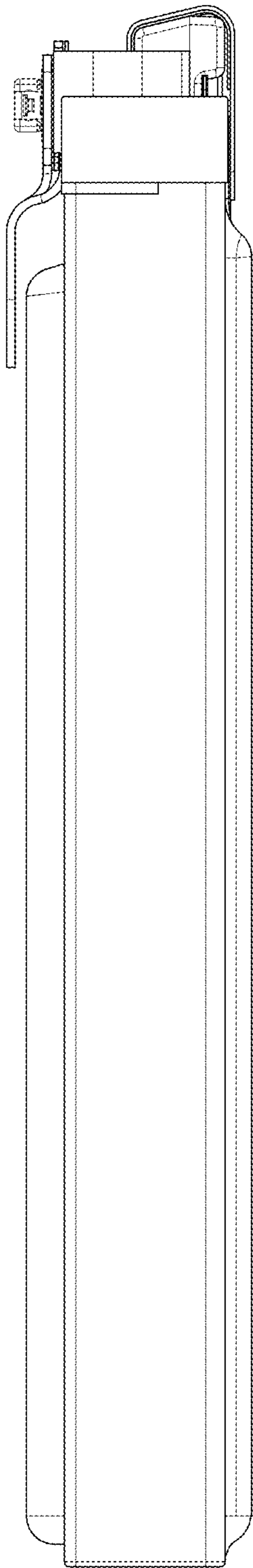


FIG. 5

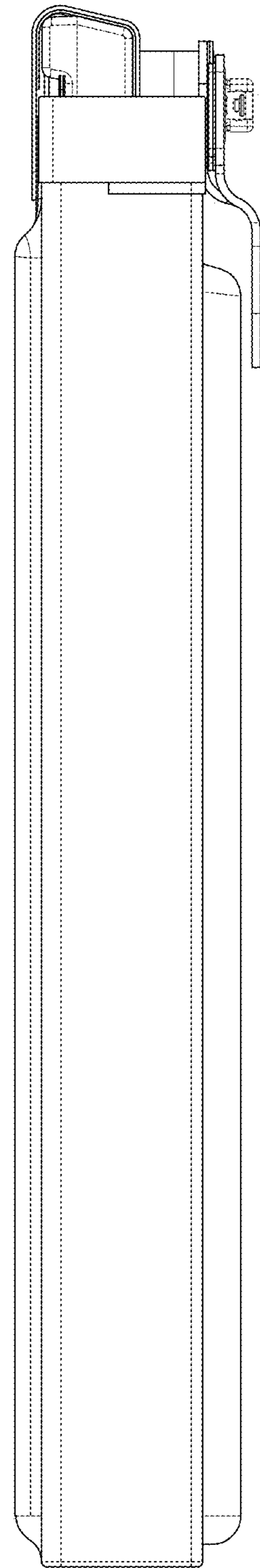


FIG. 6

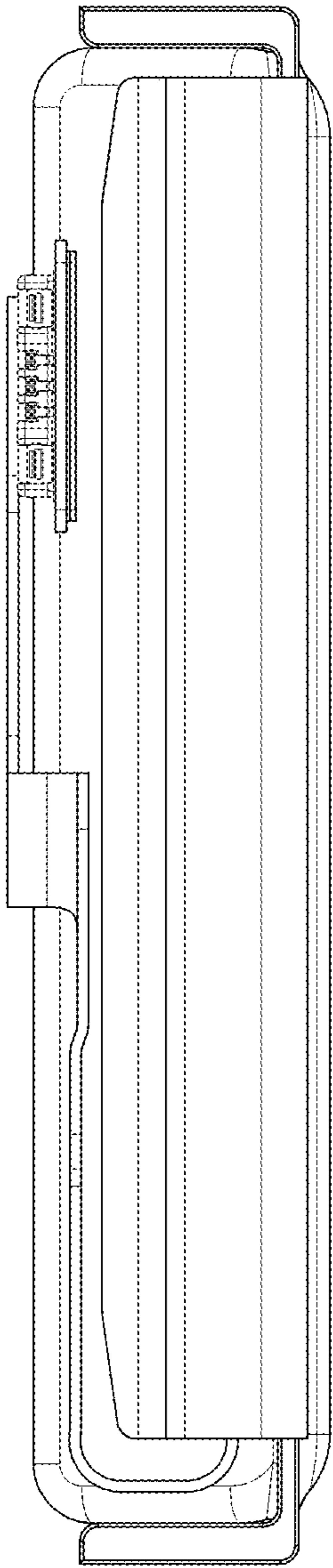


FIG. 7

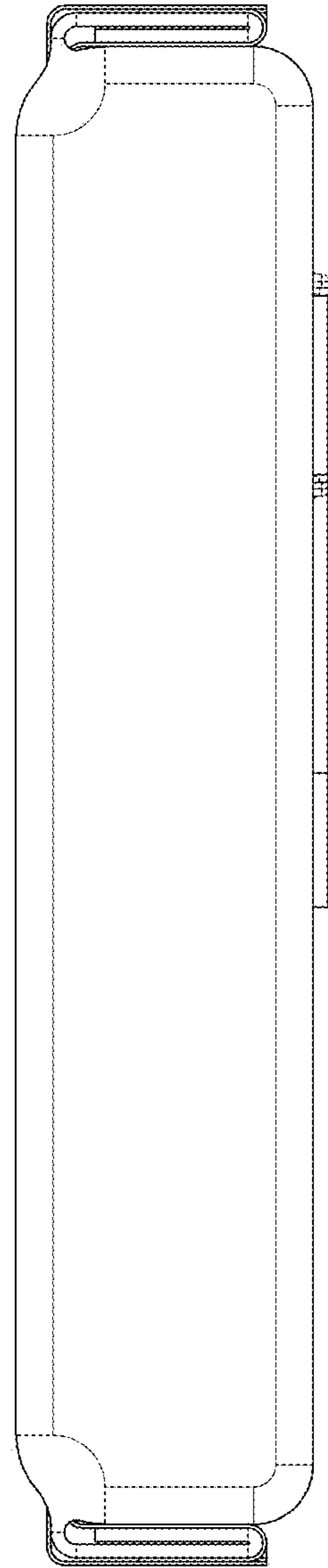


FIG. 8