

US00D909962S

(12) **United States Design Patent** (10) **Patent No.:** **US D909,962 S**
Kim et al. (45) **Date of Patent:** **** Feb. 9, 2021**

(54) **BATTERY CASE FOR AIR PURIFIER**

(71) Applicant: **LG ELECTRONICS INC.**, Seoul (KR)

(72) Inventors: **Youngjun Kim**, Seoul (KR); **Hojung Kim**, Seoul (KR); **Jongkeon Jeon**, Seoul (KR)

(73) Assignee: **LG Electronics Inc.**, Seoul (KR)

(**) Term: **15 Years**

(21) Appl. No.: **35/508,308**

(22) Filed: **Jul. 9, 2019**

(80) **Hague Agreement Data**

Int. Filing Date: **Jul. 9, 2019**
Int. Reg. No.: **DM/204032**
Int. Reg. Date: **Jul. 9, 2019**
Int. Reg. Pub. Date: **Jan. 10, 2020**

(30) **Foreign Application Priority Data**

Feb. 20, 2019 (KR) 30-2019-0007649

(51) **LOC (13) Cl.** **13-02**

(52) **U.S. Cl.**
USPC **D13/102**

(58) **Field of Classification Search**
USPC D13/103, 184, 119, 139.1, 152, 107;
D14/240; D3/302
CPC . H01M 10/613; H01M 10/488; H01M 2/1072
See application file for complete search history.

(56) **References Cited**

U.S. PATENT DOCUMENTS

D452,487 S * 12/2001 Kaplan D13/184
6,367,646 B1 * 4/2002 Hoagland H01M 2/1072
220/533

D463,412 S * 9/2002 Bloemen D14/240
D499,070 S * 11/2004 Lavington D13/119
D517,987 S * 3/2006 Castagnola D13/103
D592,134 S * 5/2009 Brockington D13/119
D606,492 S * 12/2009 Steinfels D13/119
D686,157 S * 7/2013 Kawase D13/119
D742,307 S * 11/2015 DeKeuster D13/103
D777,104 S * 1/2017 Liu D13/119
D825,464 S * 8/2018 Xie D13/119
D825,465 S * 8/2018 Deng D13/119
D853,320 S * 7/2019 Guo D13/103
D861,605 S * 10/2019 Yang D13/119
D861,606 S * 10/2019 Yang D13/119
D870,033 S * 12/2019 Varatharajah D13/103
D876,339 S * 2/2020 Xu D13/103
D881,812 S * 4/2020 Yang D13/119
D883,196 S * 5/2020 Chen D13/103
D884,611 S * 5/2020 Baxter D13/107
D884,632 S * 5/2020 Xie D13/119
D884,651 S * 5/2020 Adams D13/152

(Continued)

Primary Examiner — Rhea Shields

(74) *Attorney, Agent, or Firm* — Birch, Stewart, Kolasch & Birch, LLP

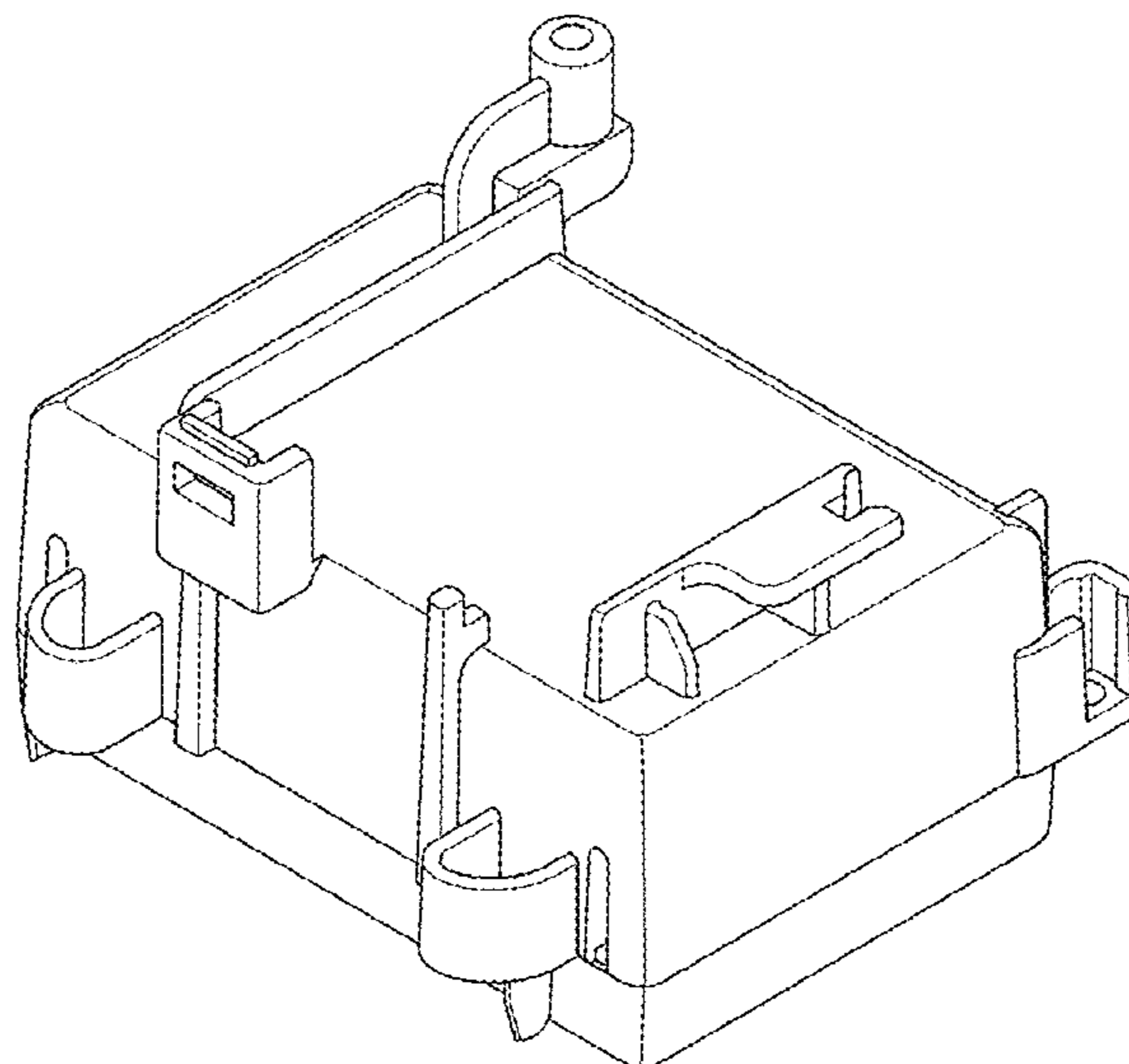
(57) **CLAIM**

The ornamental design for a battery case for air purifier, as shown and described.

DESCRIPTION

1. Battery case for air purifier
1.1 : Perspective
1.2 : Front
1.3 : Back
1.4 : Left
1.5 : Right
1.6 : Top
1.7 : Bottom
1.8 : Reference view showing a state of use
In Reproduction **1.8** the broken lines are for the purpose of illustrating environment only and form no part of the claimed design.

1 Claim, 8 Drawing Sheets



(56)

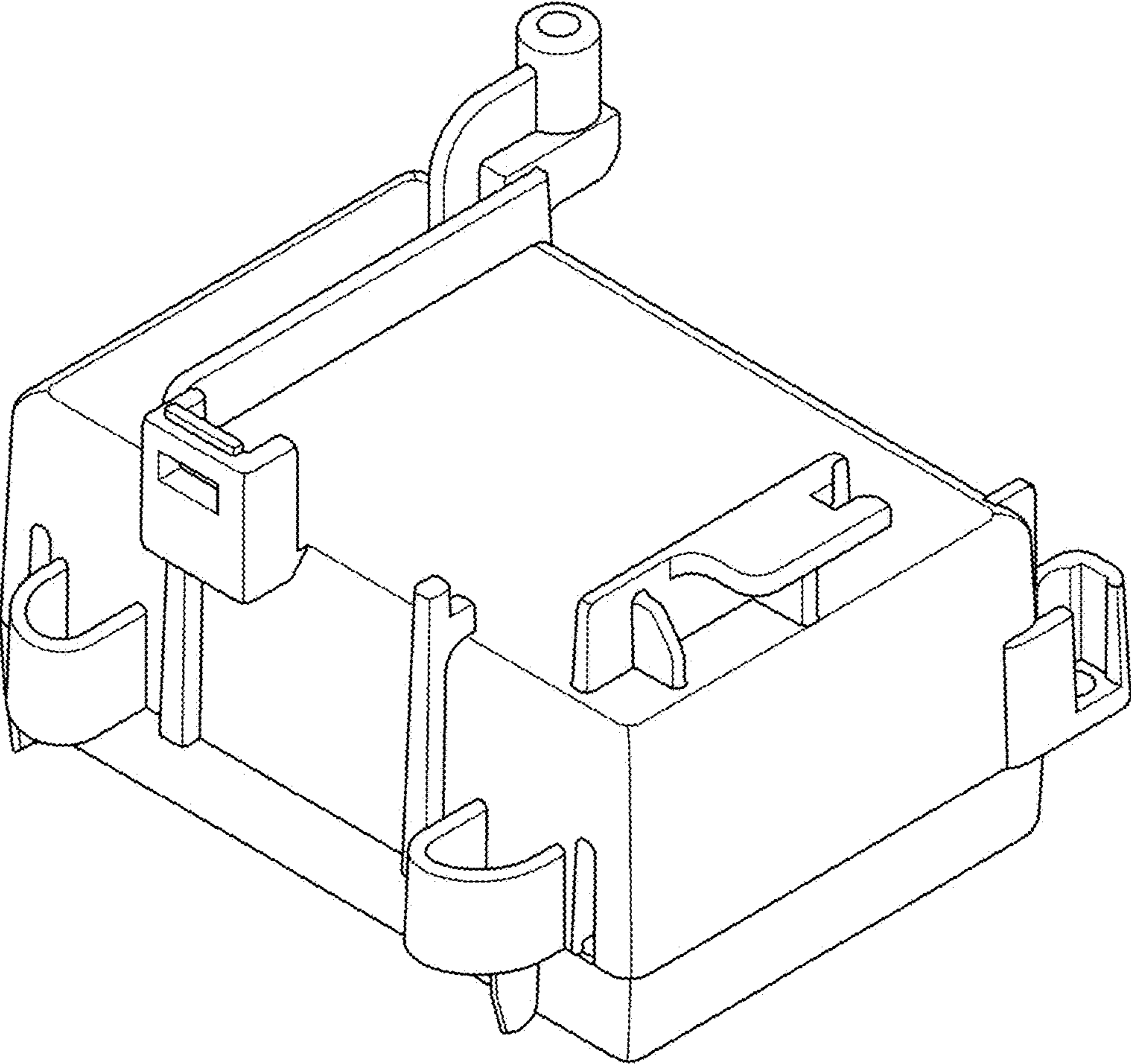
References Cited

U.S. PATENT DOCUMENTS

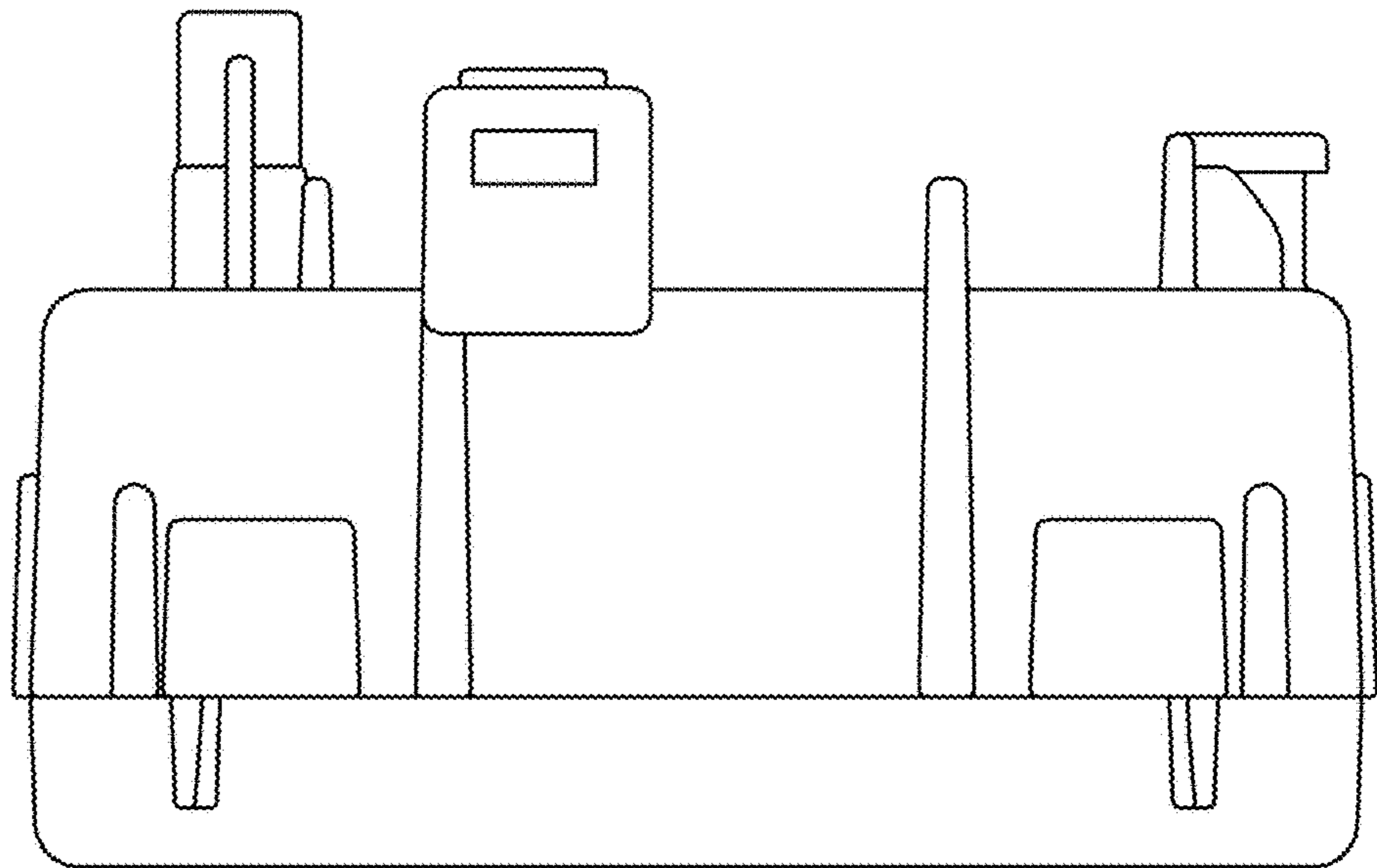
D885,326	S	*	5/2020	Zhang	D13/103
D886,045	S	*	6/2020	Deng	D13/103
D887,140	S	*	6/2020	Hyun	D3/302
D889,410	S	*	7/2020	Birkholz	D13/119
D890,087	S	*	7/2020	Xiao	D13/103
D890,694	S	*	7/2020	Heroux	D13/103
D894,130	S	*	8/2020	Byrne	D13/139.1
D895,288	S	*	9/2020	Hyun	D3/302
D900,021	S	*	10/2020	Shen	D13/103
D902,858	S	*	11/2020	Sun	D13/119
2019/0036286	A1	*	1/2019	Yang	H01M 10/488
2019/0326565	A1	*	10/2019	Zhou	H01M 10/613

* cited by examiner

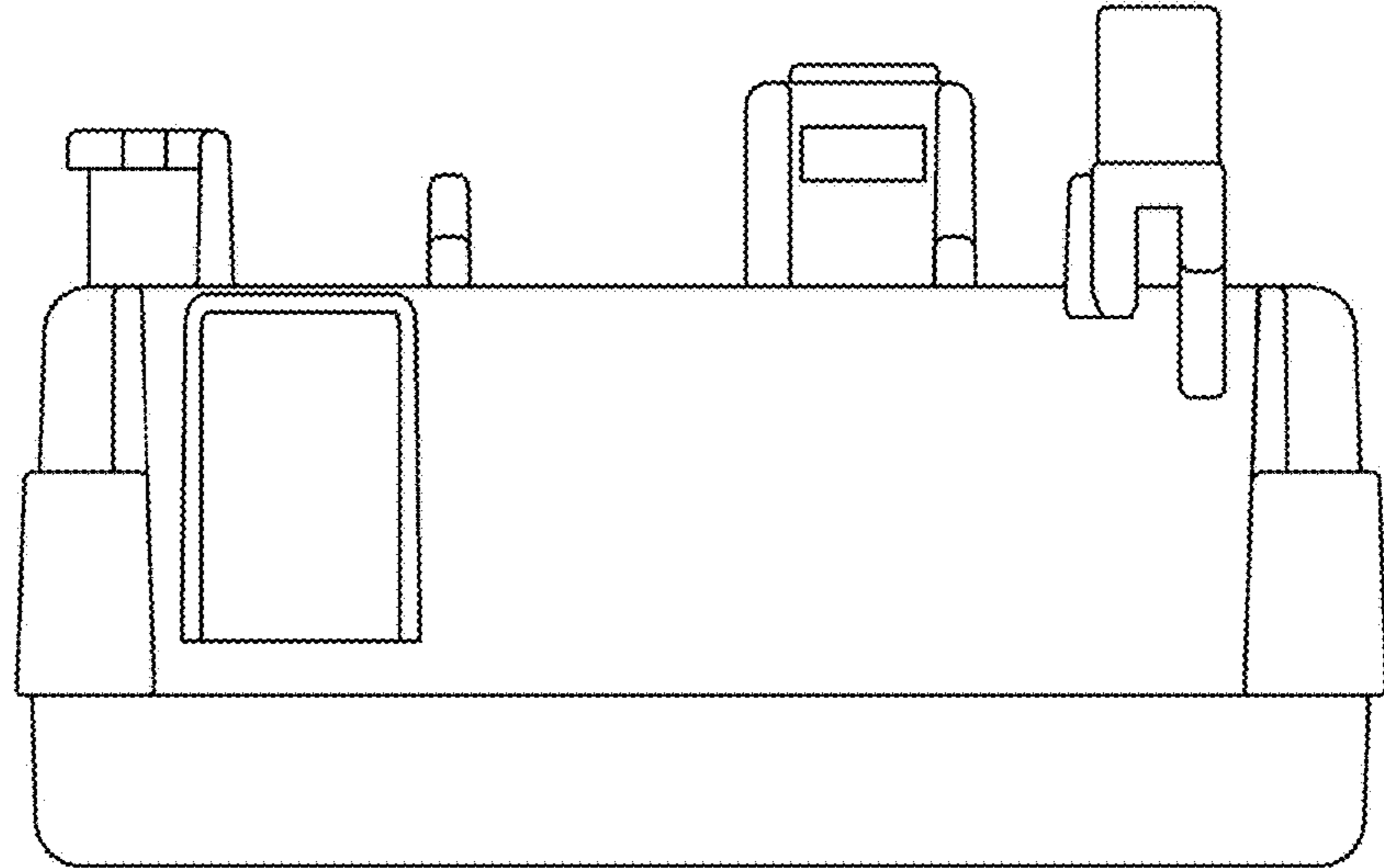
1.1



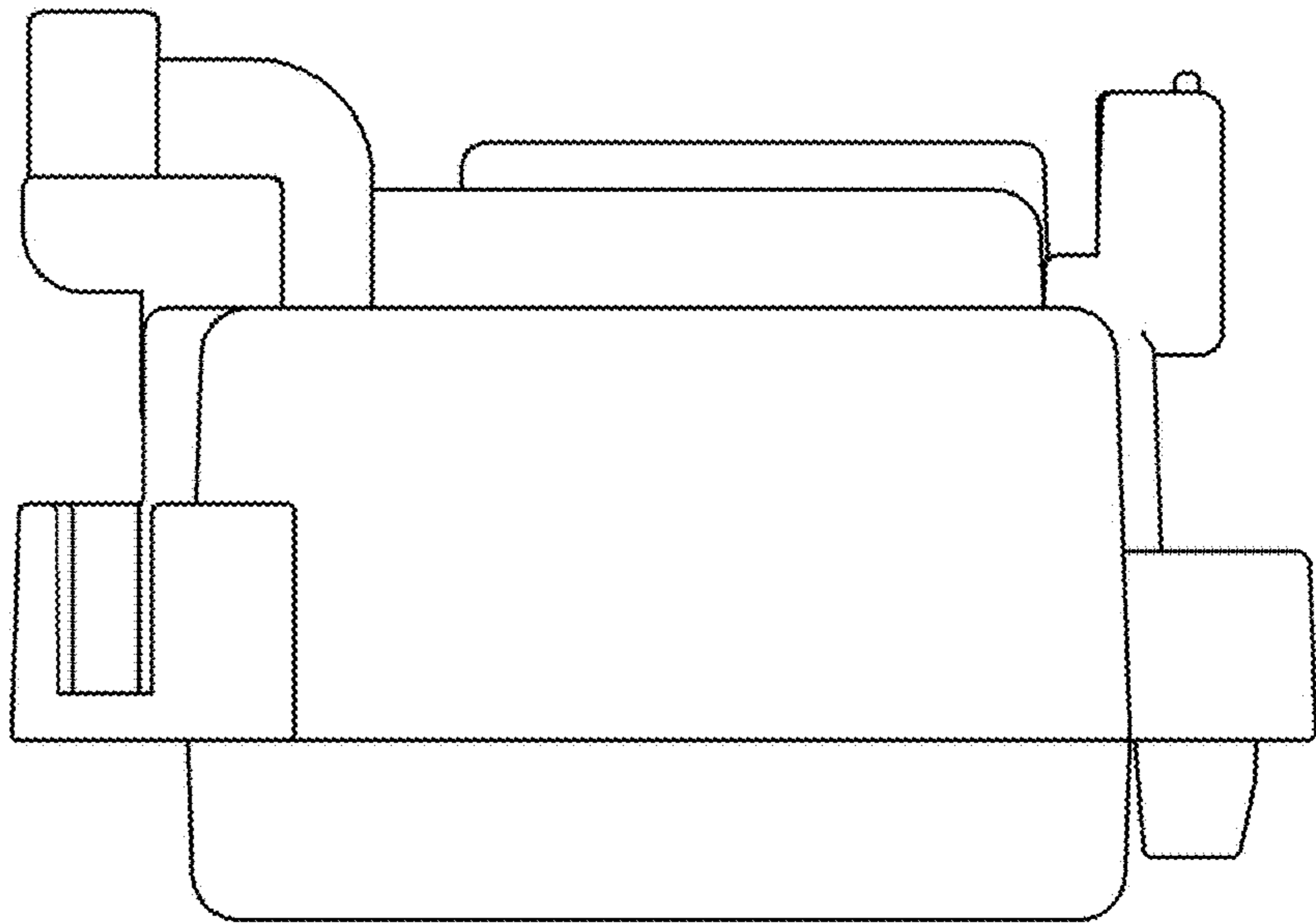
1.2



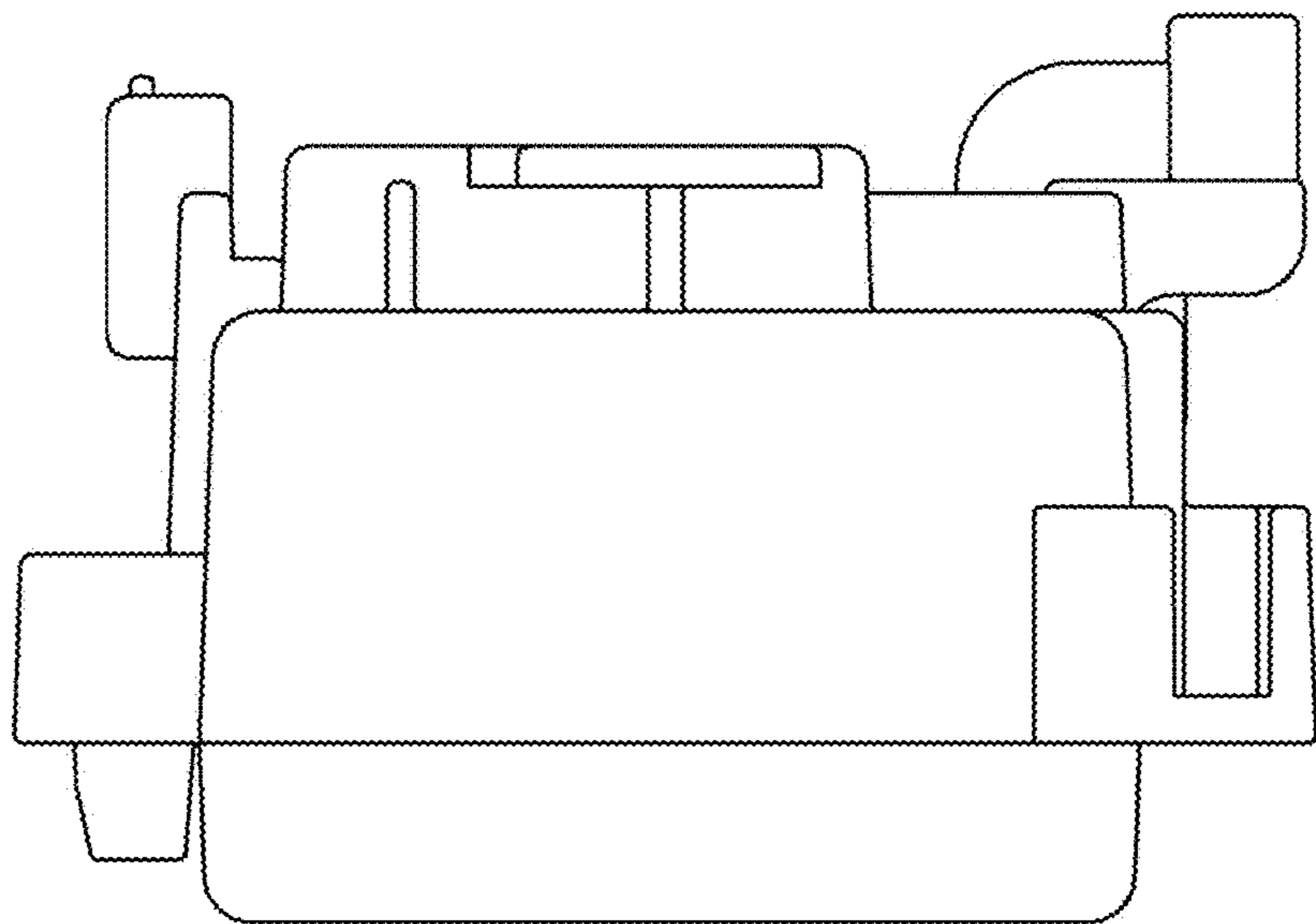
1.3



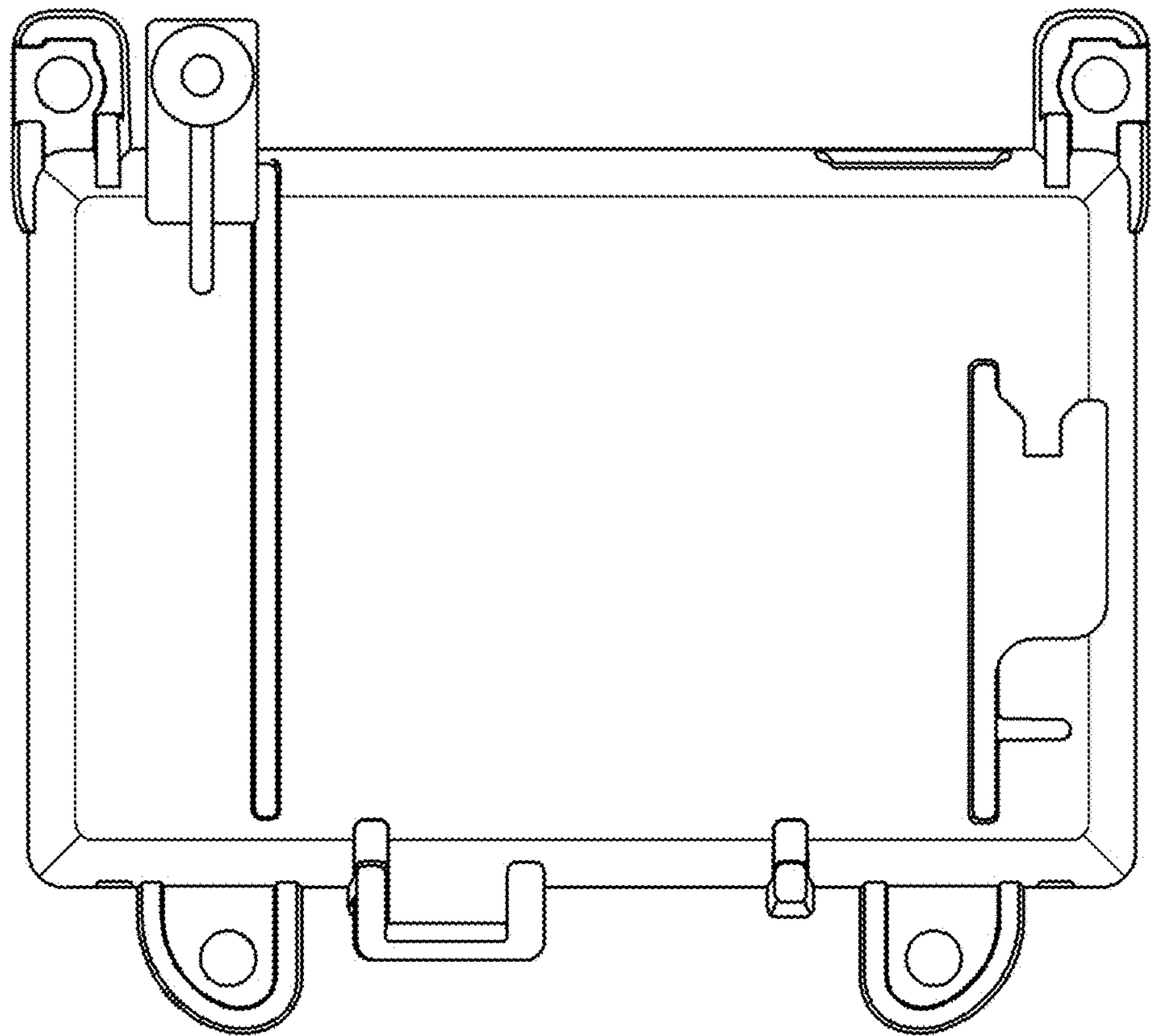
1.4



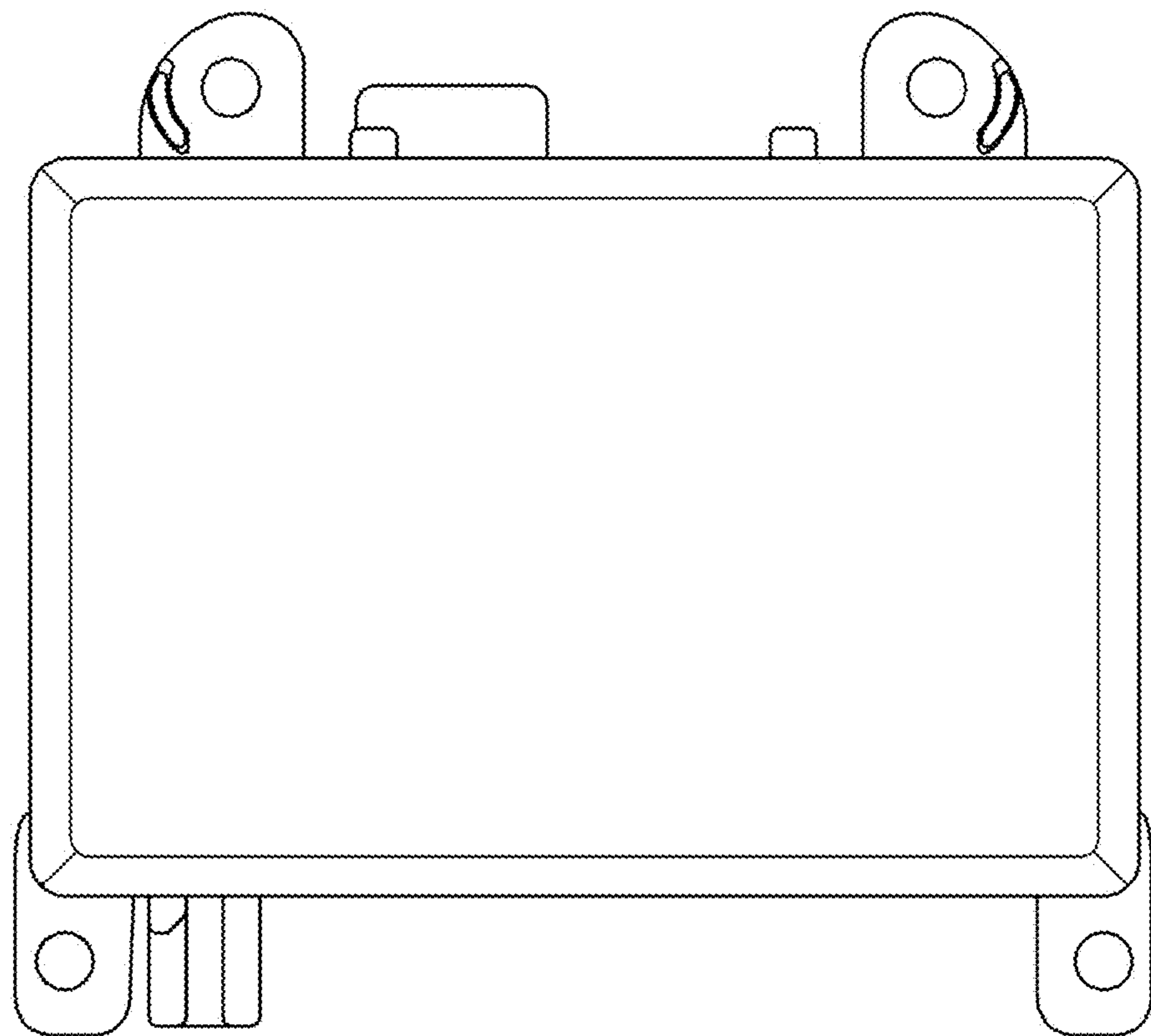
1.5



1.6



1.7



1.8

