



US00D909955S

(12) **United States Design Patent** (10) **Patent No.:** **US D909,955 S**  
**Au** (45) **Date of Patent:** **\*\* \*Feb. 9, 2021**

(54) **SOLAR TRACKER DRIVE APPARATUS** 4,276,872 A 7/1981 Blake et al.  
4,317,031 A 2/1982 Findell  
(71) Applicant: **NEXTracker Inc.**, Fremont, CA (US) 4,383,520 A \* 5/1983 Huebl ..... F16M 11/10  
126/605  
(72) Inventor: **Alexander W. Au**, El Cerrito, CA (US) D331,189 S \* 11/1992 Daigle ..... D8/356  
D438,093 S 2/2001 Mandujano  
(73) Assignee: **NEXTRACKER INC.**, Fremont, CA D439,833 S 4/2001 Nakamura  
(US) D627,717 S 11/2010 Munoz et al.  
D651,969 S 1/2012 Turk et al.  
(\*) Notice: This patent is subject to a terminal dis- D651,970 S \* 1/2012 Turk ..... D13/102  
claimer. 8,168,931 B1 \* 5/2012 Thel ..... H02S 20/30  
250/203.4  
(\*\*) Term: **15 Years** 8,181,926 B2 5/2012 Magno, Jr. et al.  
8,274,028 B2 9/2012 Needham  
8,459,249 B2 6/2013 Corio  
D730,277 S \* 5/2015 Rangesh ..... D13/102  
(21) Appl. No.: **29/613,310** 2004/0238025 A1 12/2004 Shingleton  
2010/0071755 A1 \* 3/2010 Kruse ..... H02S 20/00  
136/251

(Continued)

**Related U.S. Application Data**

(62) Division of application No. 29/516,653, filed on Feb. 4, 2015, now Pat. No. Des. 832,200.  
(51) **LOC (13) Cl.** ..... **13-02**  
(52) **U.S. Cl.**  
USPC ..... **D13/102**  
(58) **Field of Classification Search**  
USPC .... D13/102, 118, 184, 199; D8/72, 74, 349,  
D8/354, 355; 52/173.3; 126/573, 580,  
126/651, 656, 704; 136/206, 244-251,  
136/256, 291, 292  
CPC ..... F24J 2/38; F24J 2/40; F24J 2/54; F24J  
2/405; F24J 2/4638; F24J 2002/385;  
H01L 31/042; H01L 31/043; H01L  
31/052; H01L 31/0525; Y02E 10/47;  
F24S 30/425; F24S 30/452; G01S 3/7861  
See application file for complete search history.

*Primary Examiner* — Derrick E Holland  
(74) *Attorney, Agent, or Firm* — Weber Rosselli &  
Cannon LLP

(57) **CLAIM**

The ornamental design for a solar tracker drive apparatus, as shown and described.

**DESCRIPTION**

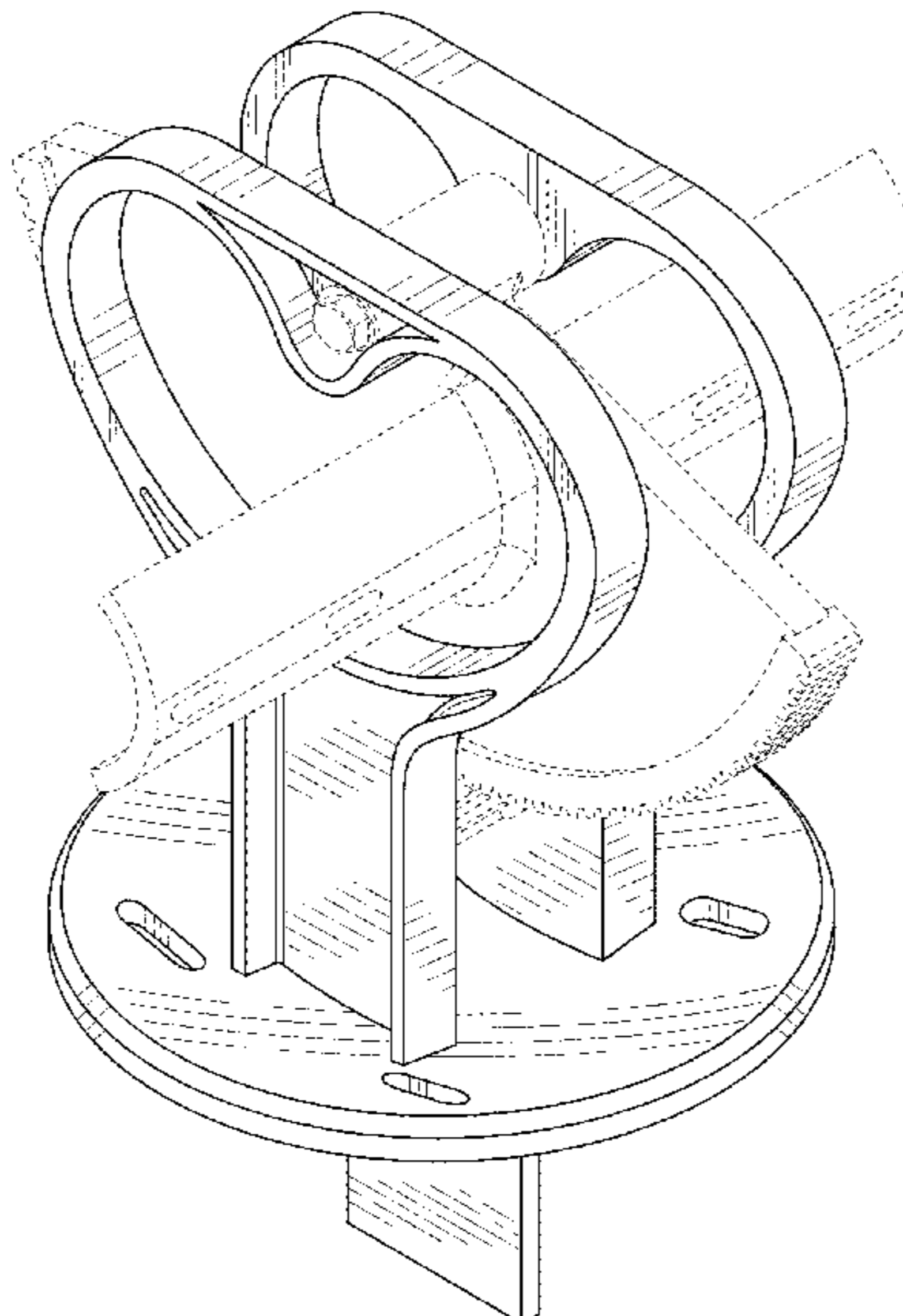
FIG. 1 is a perspective view of a solar tracker drive apparatus according to the present invention;  
FIG. 2 is a front elevation view thereof;  
FIG. 3 is a back elevation view thereof;  
FIG. 4 is a first side elevation view thereof;  
FIG. 5 is a second side elevation view thereof;  
FIG. 6 is a top plan view thereof; and,  
FIG. 7 is a bottom plan view thereof.  
The broken lines shown represent the portions of the solar tracker drive apparatus that form no part of the claimed design.

(56) **References Cited**

**U.S. PATENT DOCUMENTS**

4,146,784 A 3/1979 Yekutieli  
4,227,513 A \* 10/1980 Blake ..... G01S 3/7861  
126/578

**1 Claim, 7 Drawing Sheets**



(56)

**References Cited**

U.S. PATENT DOCUMENTS

2011/0253195 A1\* 10/2011 Kim ..... H02S 20/00  
136/246  
2013/0206712 A1\* 8/2013 Magalhaes ..... H01L 31/0547  
211/41.1  
2015/0194561 A1\* 7/2015 Toya ..... H01L 31/0543  
250/208.1  
2016/0123383 A1\* 5/2016 Lamb ..... F24S 25/12  
384/276

\* cited by examiner

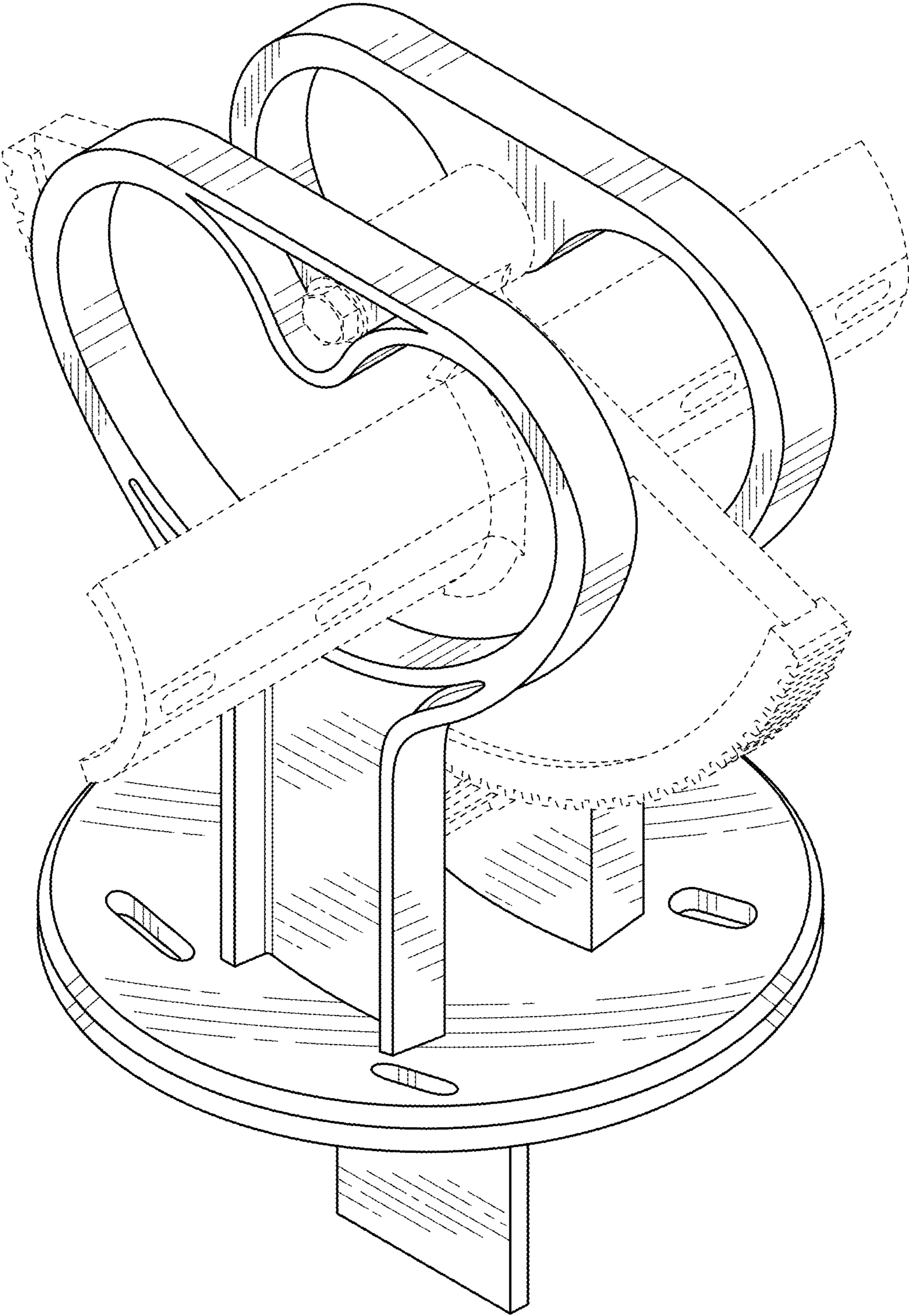


FIG. 1

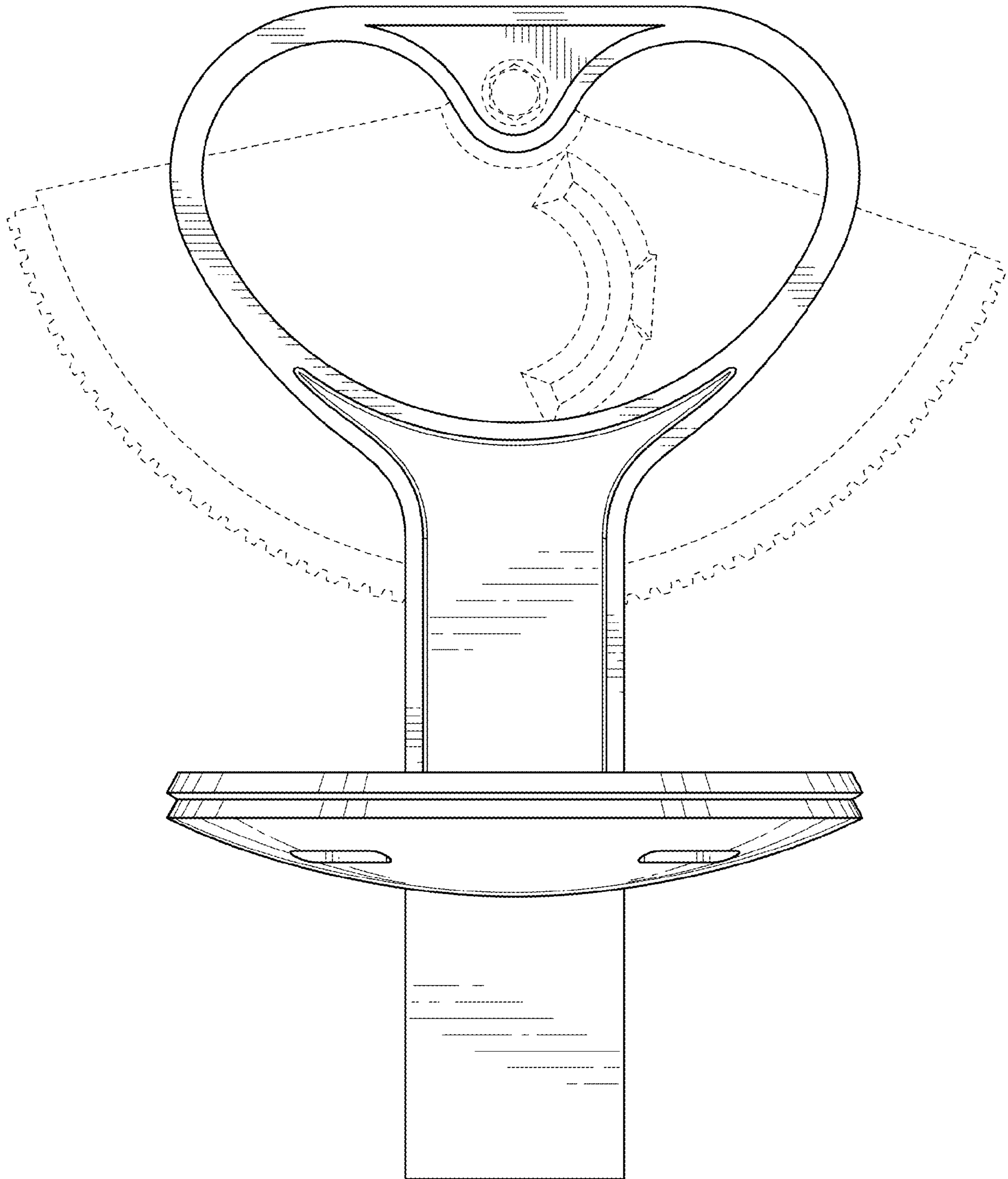


FIG. 2



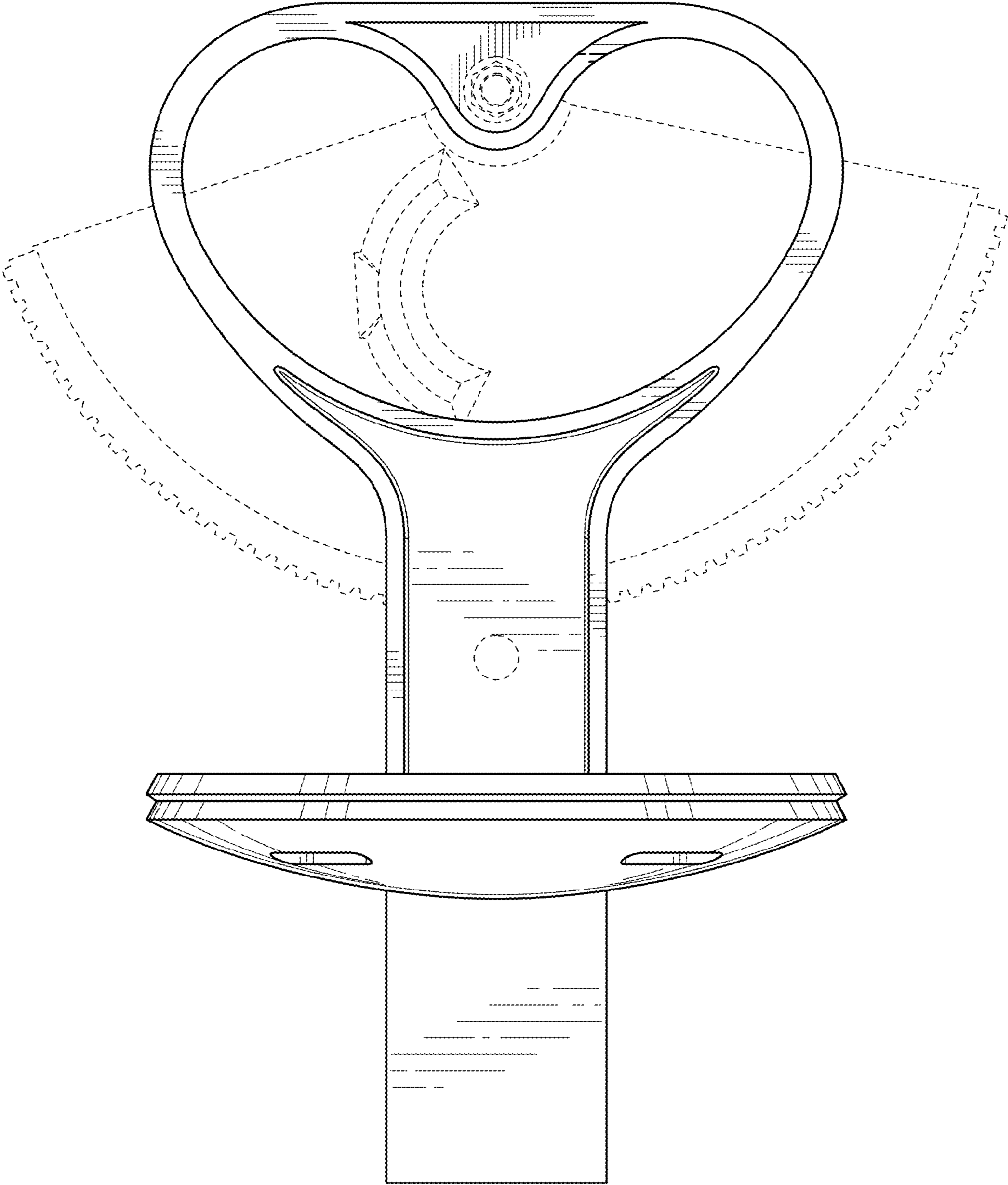


FIG. 3

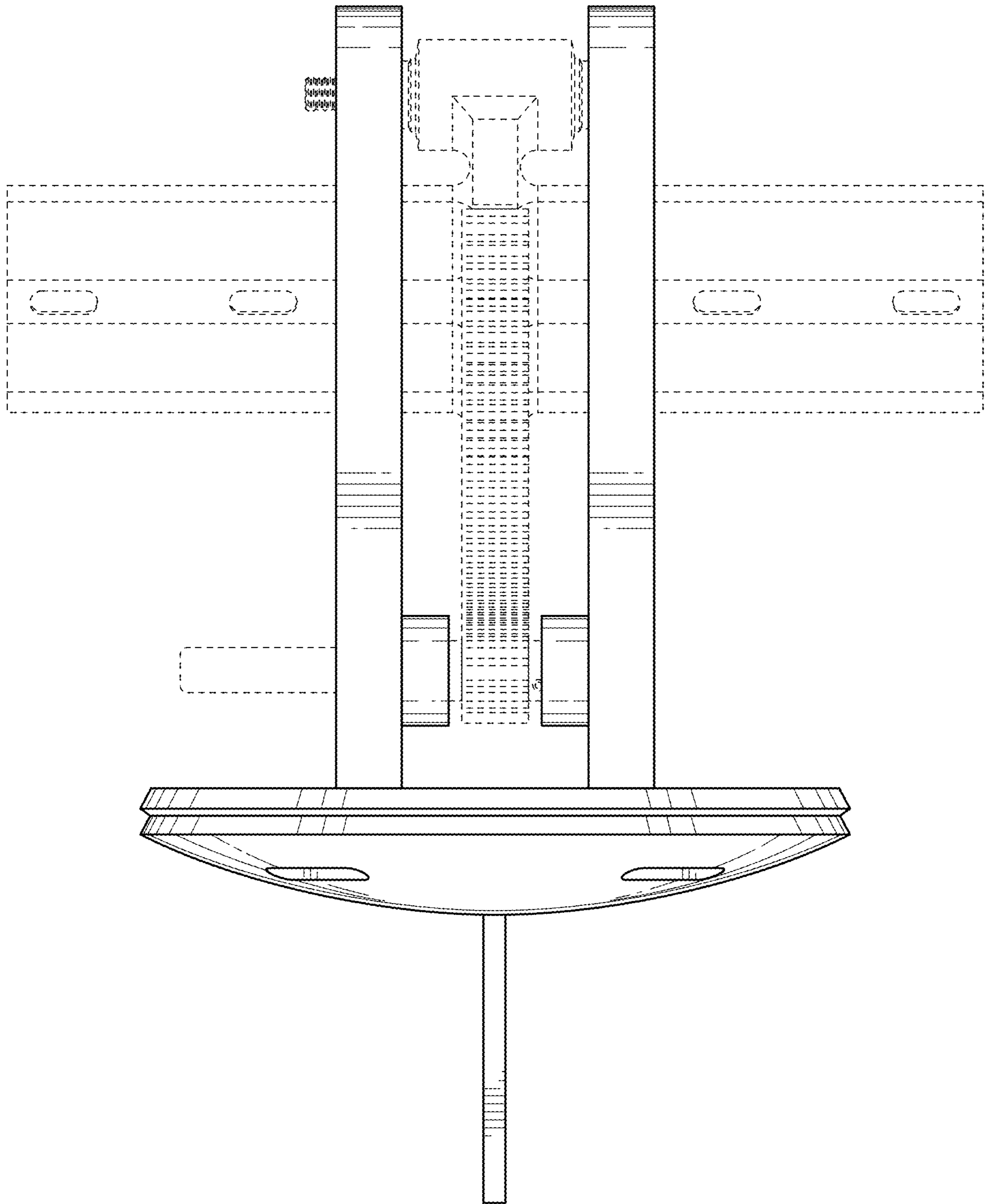


FIG. 4

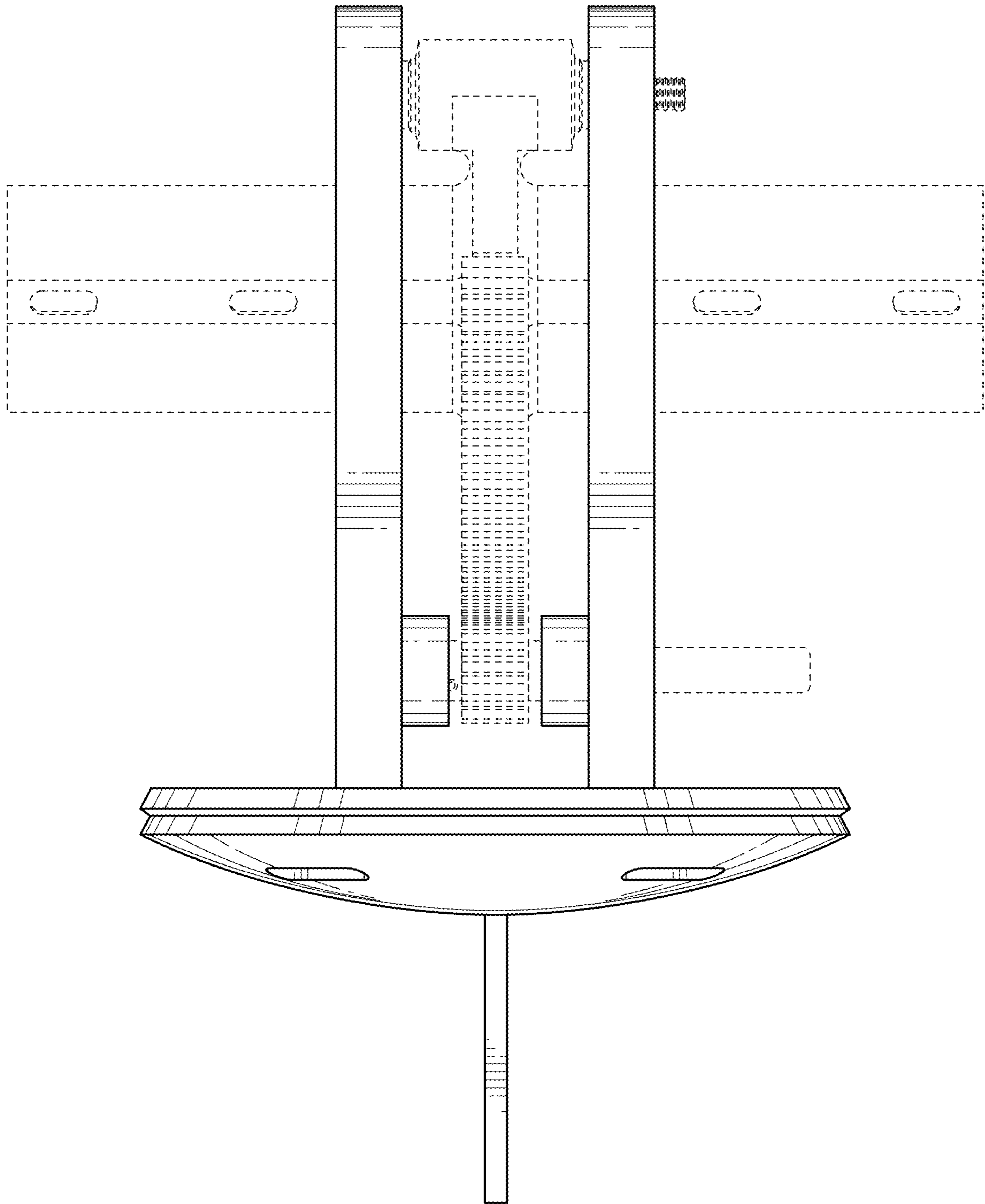


FIG. 5

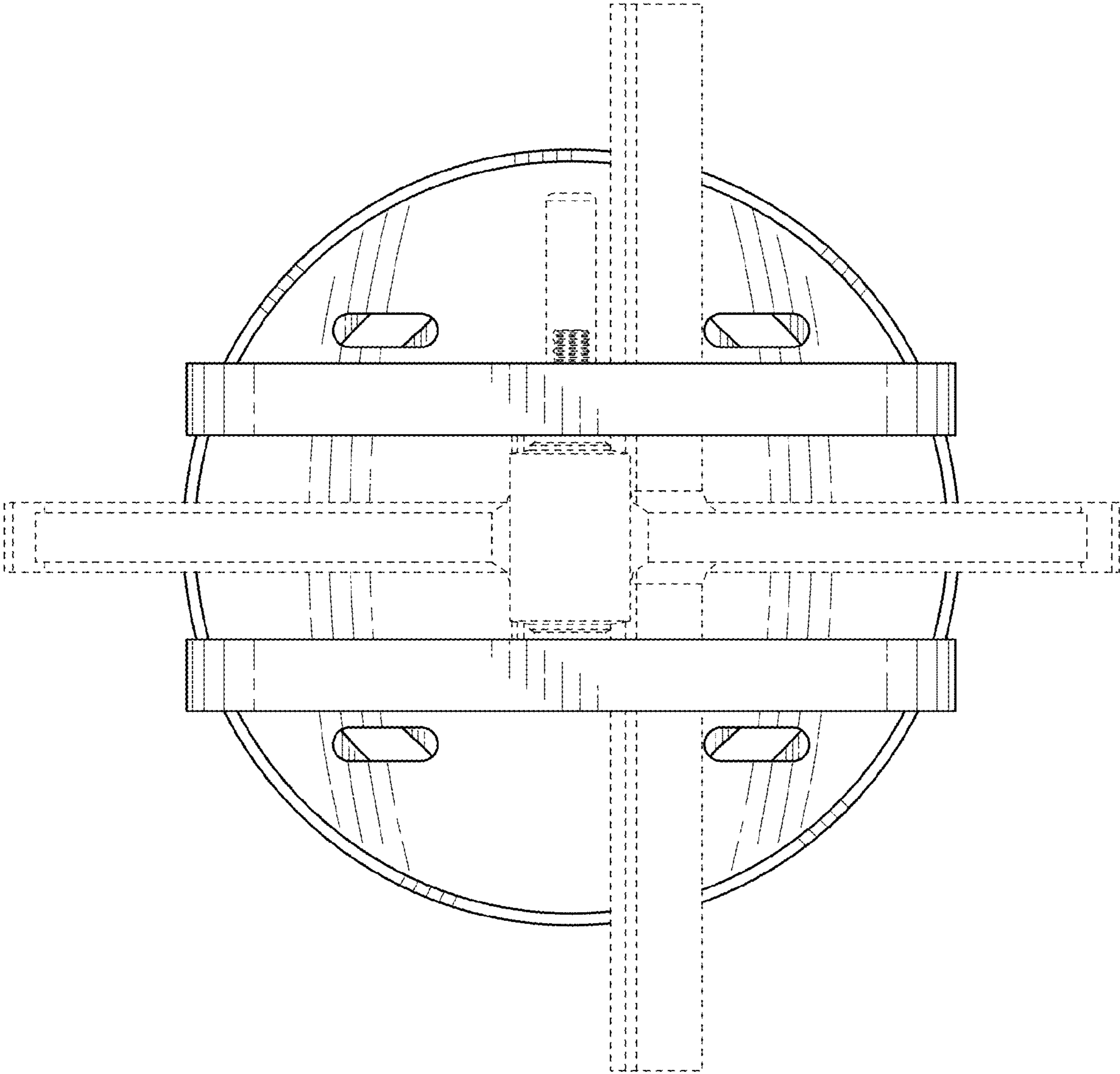


FIG. 6



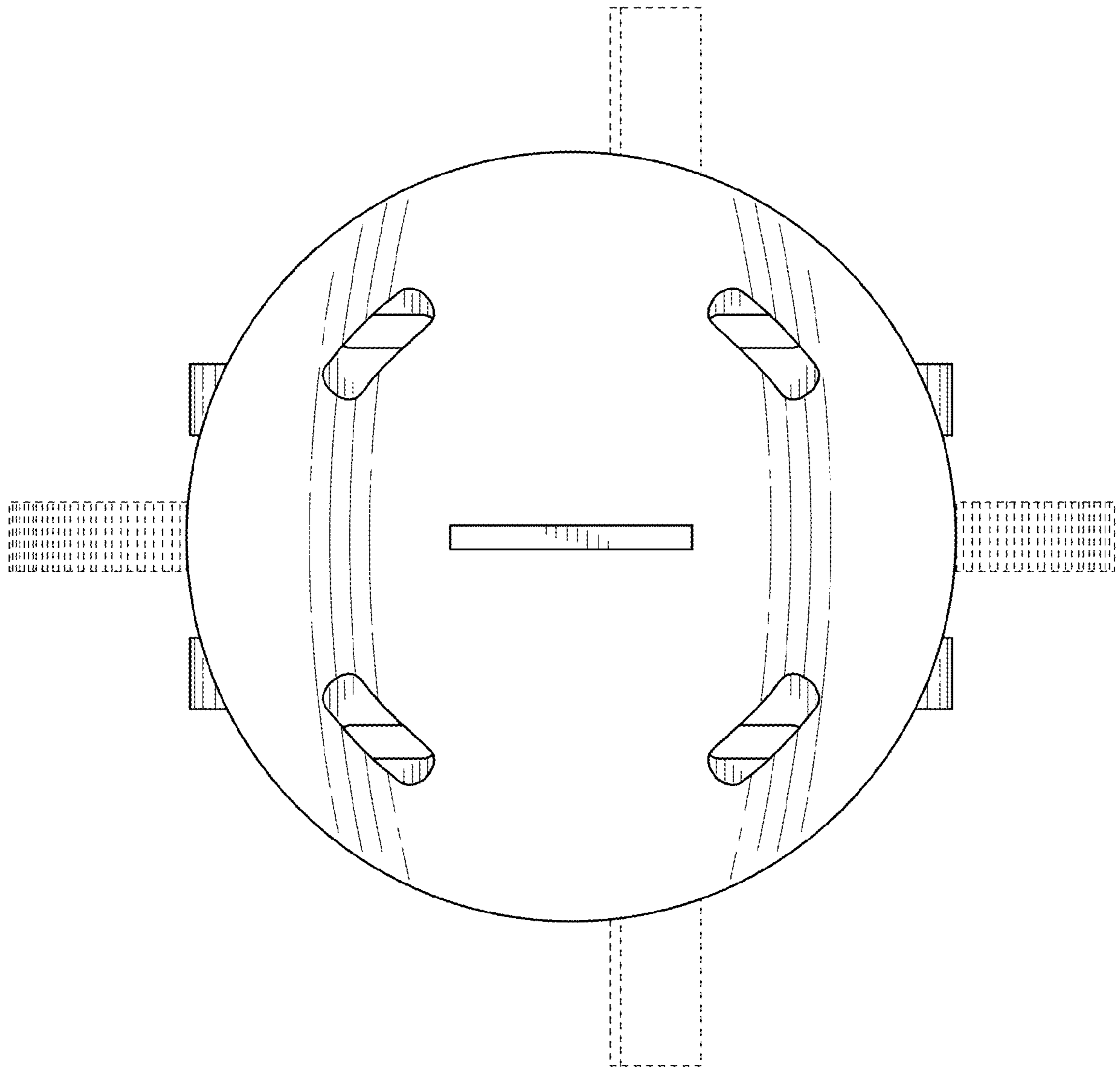


FIG. 7