



US00D909950S

(12) **United States Design Patent**
Johnson

(10) **Patent No.:** **US D909,950 S**

(45) **Date of Patent:** **** Feb. 9, 2021**

(54) **RACK SHADE**

(71) Applicant: **Scott Alan Johnson**, Yuba City, CA
(US)

(72) Inventor: **Scott Alan Johnson**, Yuba City, CA
(US)

(**) Term: **15 Years**

(21) Appl. No.: **29/700,596**

(22) Filed: **Aug. 2, 2019**

(51) **LOC (13) Cl.** **12-16**

(52) **U.S. Cl.**
USPC **D12/401**

(58) **Field of Classification Search**
USPC D12/114, 183, 190, 191, 400, 401, 403,
D12/407, 408, 414
CPC . B60J 1/20; B60J 1/2011; B60J 1/2075; B60J
3/0204; B60J 3/0286
See application file for complete search history.

(56) **References Cited**

U.S. PATENT DOCUMENTS

- 2,907,384 A * 10/1959 Spratt B60J 11/08
160/370.21
- 3,053,566 A * 9/1962 Allen B62D 33/0273
296/106
- D291,430 S * 8/1987 Vartanian D12/191
- D298,615 S * 11/1988 Chionuma D12/401
- D331,211 S * 11/1992 Harris D12/401
- 5,255,765 A * 10/1993 Schrecongost A45C 13/002
150/154
- D360,181 S * 7/1995 Brooks D12/401
- D393,828 S * 4/1998 Threats, Sr. D12/401
- 6,648,396 B2 * 11/2003 Monahan B60J 1/2011
160/370.21
- D491,852 S * 6/2004 Corella D12/191
- D496,322 S * 9/2004 Farney D12/401
- D506,954 S * 7/2005 Lara D12/133
- D554,030 S * 10/2007 Eskandry D12/183

- D602,839 S * 10/2009 Carrow D12/401
- D602,840 S * 10/2009 Swanston D12/182
- 8,888,163 B1 * 11/2014 Johnson B60J 1/20
296/84.1
- 9,272,605 B1 * 3/2016 Gong B60J 1/20
- 9,352,636 B1 * 5/2016 Johnson B60J 1/025
- D802,477 S * 11/2017 Salas D12/16
- D828,253 S * 9/2018 Mao D12/183
- D852,725 S * 7/2019 Feng D12/401
- D867,261 S * 11/2019 Salas D12/401
- D867,926 S * 11/2019 Salas D12/16
- D867,968 S * 11/2019 Salas D12/401
- 2001/0033084 A1 * 10/2001 Murray B60J 1/2011
296/24.46

(Continued)

Primary Examiner — Michael A. Pratt

Assistant Examiner — Adam C Mager

(74) *Attorney, Agent, or Firm* — Lewis Brisbois Bisgaard & Smith LLP

(57) **CLAIM**

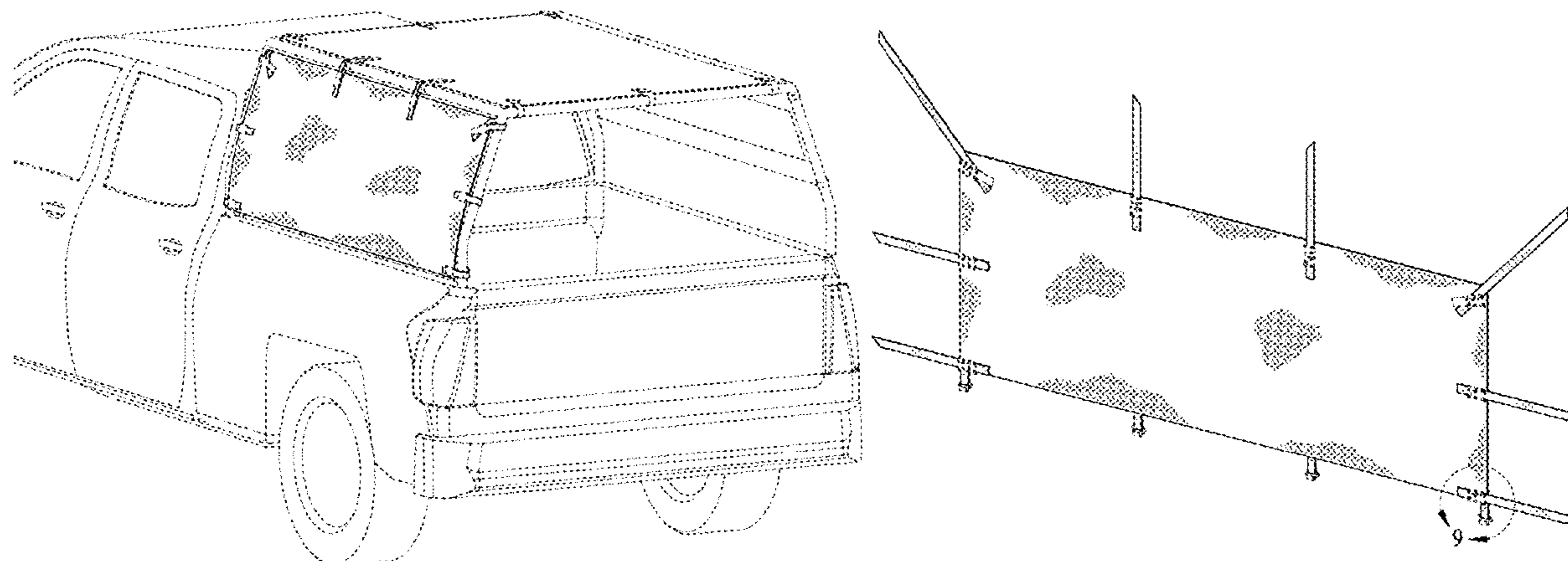
The ornamental design for a rack shade, as shown and described.

DESCRIPTION

FIG. 1 is a perspective view of the rack shade showing the new design in use;
 FIG. 2 is a front perspective view thereof;
 FIG. 3 is a front elevation view thereof;
 FIG. 4 is a rear elevation view thereof;
 FIG. 5 is a top plan view thereof;
 FIG. 6 is a bottom plan view thereof;
 FIG. 7 is a right side elevation view thereof;
 FIG. 8 is a left side elevation view thereof; and,
 FIG. 9 is a detailed view of one of the straps of the rack shade.

The broken lines shown are included for the purpose of illustrating the unclaimed portions of the article and the article's environment and form no part of the claim.

1 Claim, 5 Drawing Sheets



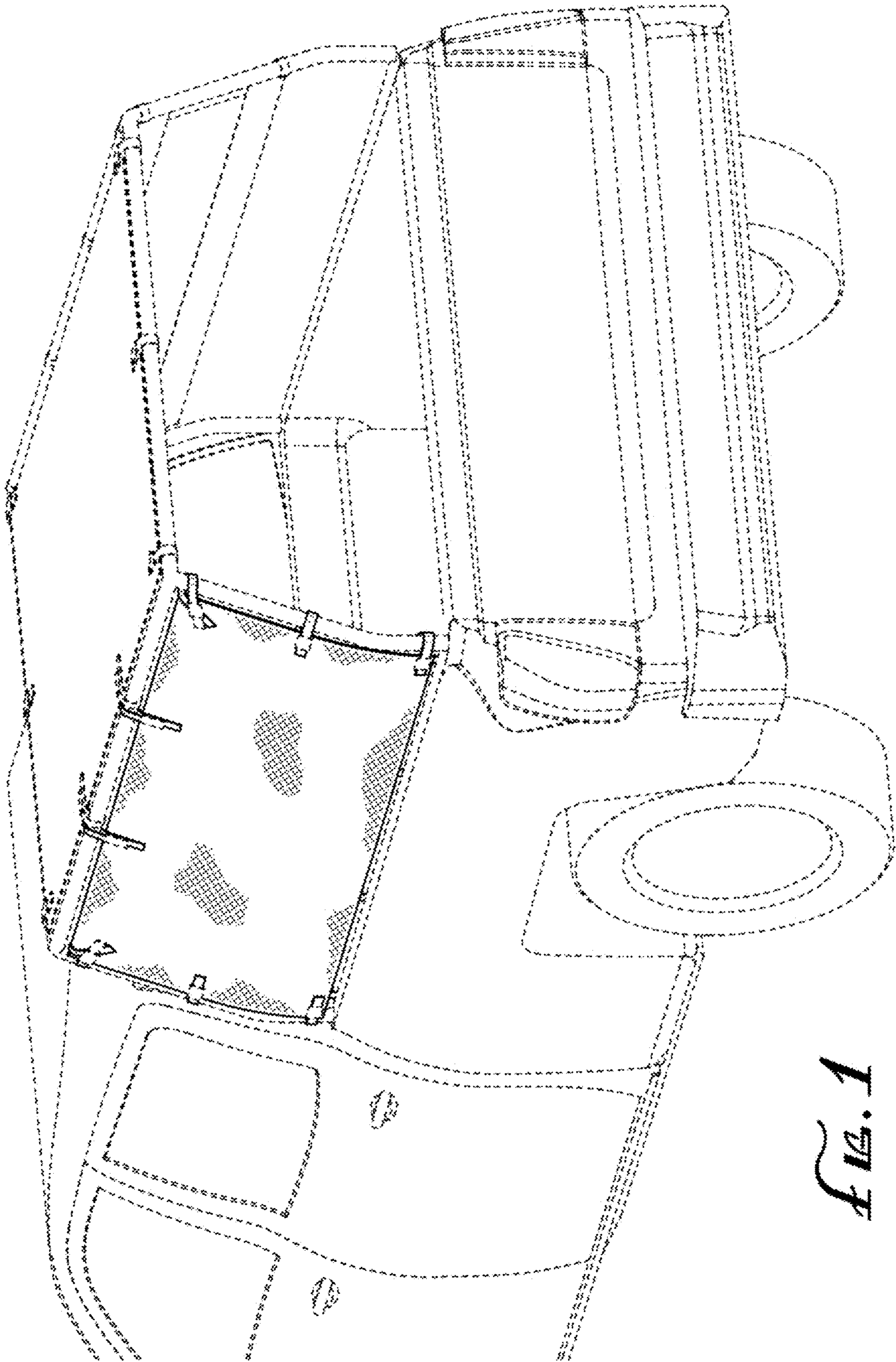
(56)

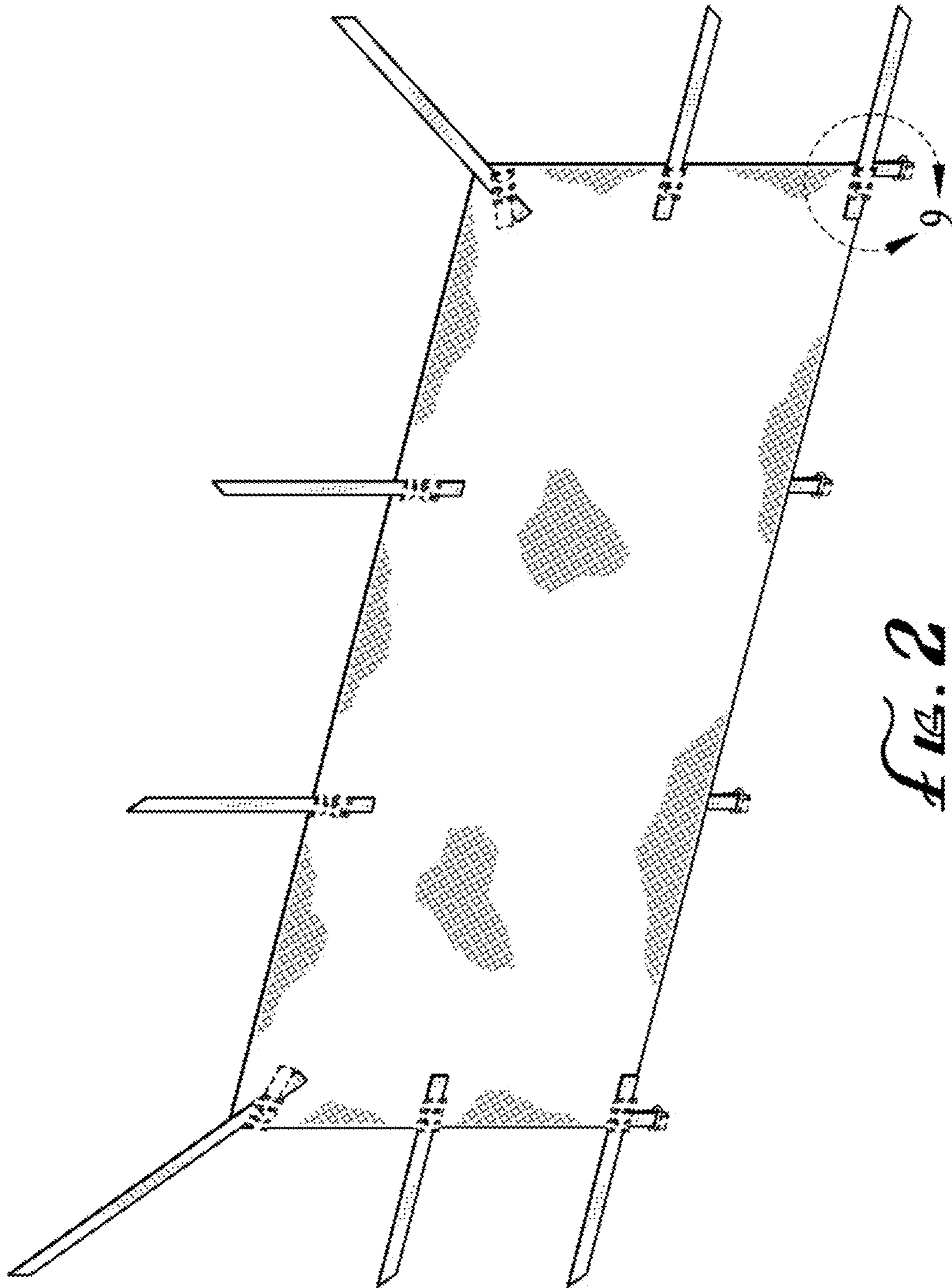
References Cited

U.S. PATENT DOCUMENTS

2011/0303371 A1* 12/2011 Harrison B60J 1/2011
160/370.21
2012/0049562 A1* 3/2012 Mowder B60J 1/2011
296/97.6
2014/0060760 A1* 3/2014 Harris H01F 7/0252
160/370.21
2014/0077520 A1* 3/2014 McManus B64D 11/0015
296/97.3
2019/0168585 A1* 6/2019 Callaghan B60J 1/2011
2019/0337372 A1* 11/2019 Lee B60J 11/08
2020/0039333 A1* 2/2020 Brentzel G02B 5/22

* cited by examiner





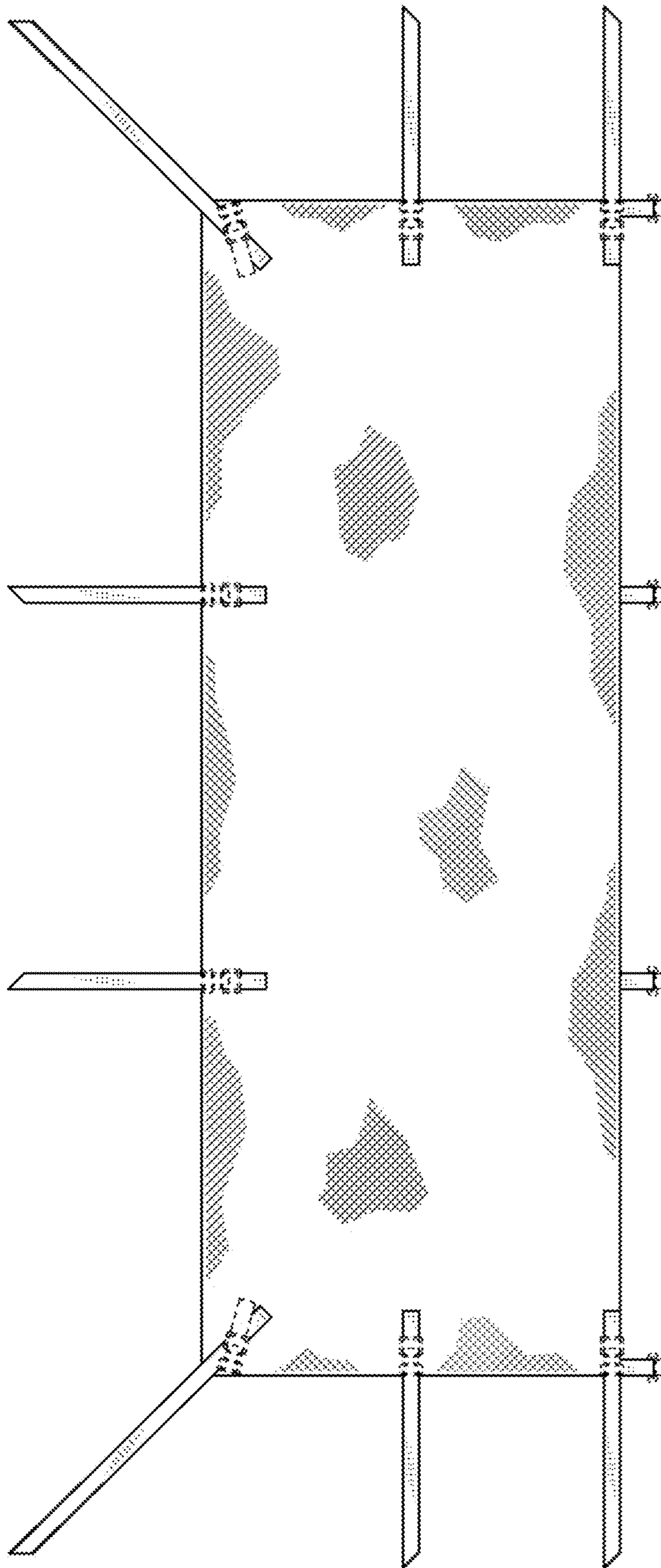


FIG. 3

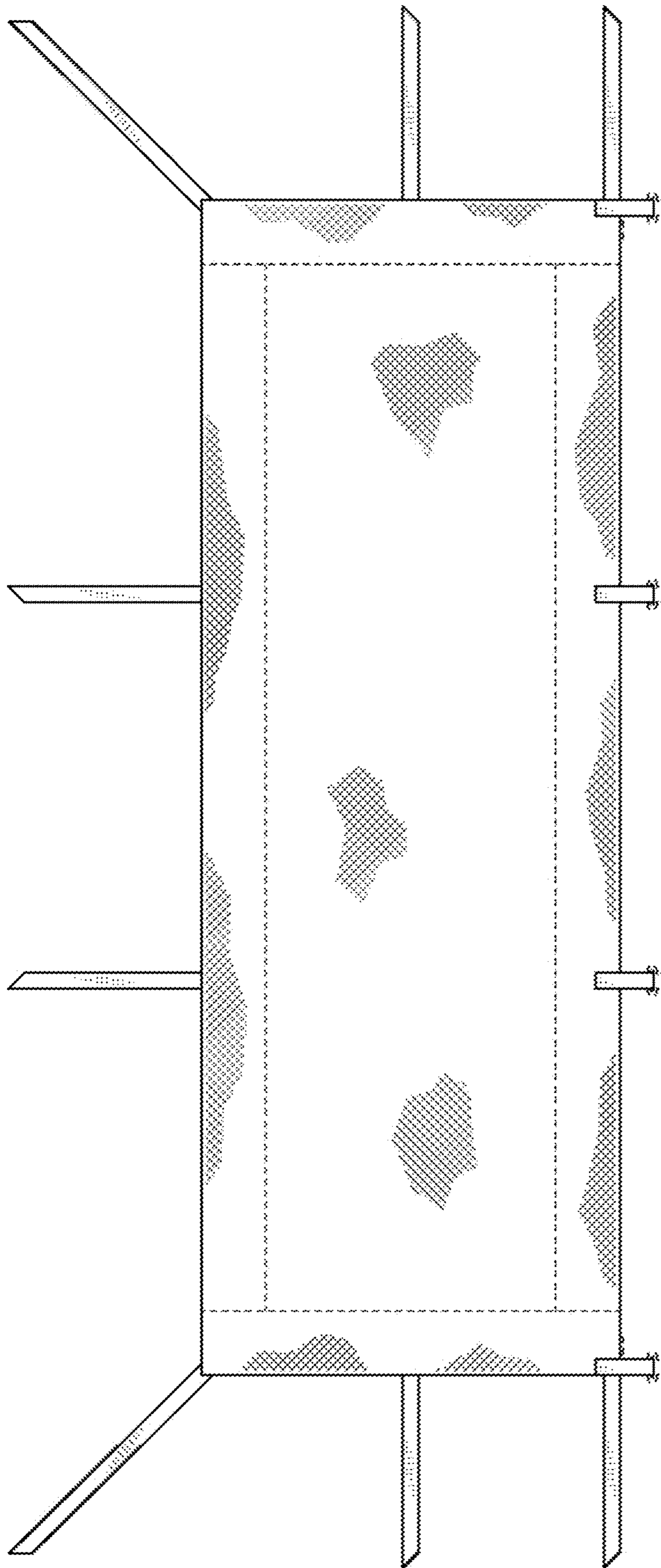


FIG. 4

