



US00D909945S

(12) **United States Design Patent**
Langhals et al.

(10) **Patent No.:** **US D909,945 S**

(45) **Date of Patent:** **** Feb. 9, 2021**

(54) **VEHICLE BUMPER STEP PAD**

(71) Applicants: **Taylor A. Langhals**, Waterford, MI (US); **Brian H. Nielander**, Royal Oak, MI (US); **Mark T. Allen**, Oxford, MI (US)

(72) Inventors: **Taylor A. Langhals**, Waterford, MI (US); **Brian H. Nielander**, Royal Oak, MI (US); **Mark T. Allen**, Oxford, MI (US)

(73) Assignee: **FCA US LLC**, Auburn Hills, MI (US)

(**) Term: **15 Years**

(21) Appl. No.: **29/737,295**

(22) Filed: **Jun. 8, 2020**

Related U.S. Application Data

(63) Continuation-in-part of application No. 29/670,328, filed on Nov. 15, 2018, now Pat. No. Des. 887,899.

(51) **LOC (13) Cl.** **12-16**

(52) **U.S. Cl.**
USPC **D12/203**; D12/169

(58) **Field of Classification Search**
USPC D12/169, 203, 86, 90-93, 96-98, 196; 293/102, 113, 115, 117, 120; 296/180.1, 296/180.2, 181.1-181.3; 280/163, 164
CPC B60R 19/02; B60R 19/04; B60R 3/00; B60R 19/48; B60R 19/24; B60R 13/043; B60R 2013/0293; B60R 13/02; B60R 13/04; B62D 25/08
See application file for complete search history.

(56) **References Cited**

U.S. PATENT DOCUMENTS

D579,828 S * 11/2008 Bucher D12/163
D611,395 S * 3/2010 Krugger D12/169

D626,042 S * 10/2010 Yamazaki D12/169
D630,981 S * 1/2011 Rao D12/169
D760,121 S * 6/2016 Sato D12/98
D763,738 S * 8/2016 Dewitt D12/98
D764,980 S * 8/2016 Platto D12/98
D775,008 S * 12/2016 Chung D12/169
D775,551 S * 1/2017 Platto D12/98
D789,848 S * 6/2017 Platto D12/169
D809,428 S * 2/2018 Platto D12/98
D809,429 S * 2/2018 Platto D12/98
D811,965 S * 3/2018 Moffett D12/169
D869,356 S * 12/2019 Dewitt D12/169
D886,002 S * 6/2020 DiCanzio D12/169
D887,920 S * 6/2020 Gillam D12/169
D891,319 S * 7/2020 Ninov D12/169
D892,686 S * 8/2020 Dewitt D12/169

* cited by examiner

Primary Examiner — Melody N Brown

(74) *Attorney, Agent, or Firm* — Ralph E. Smith

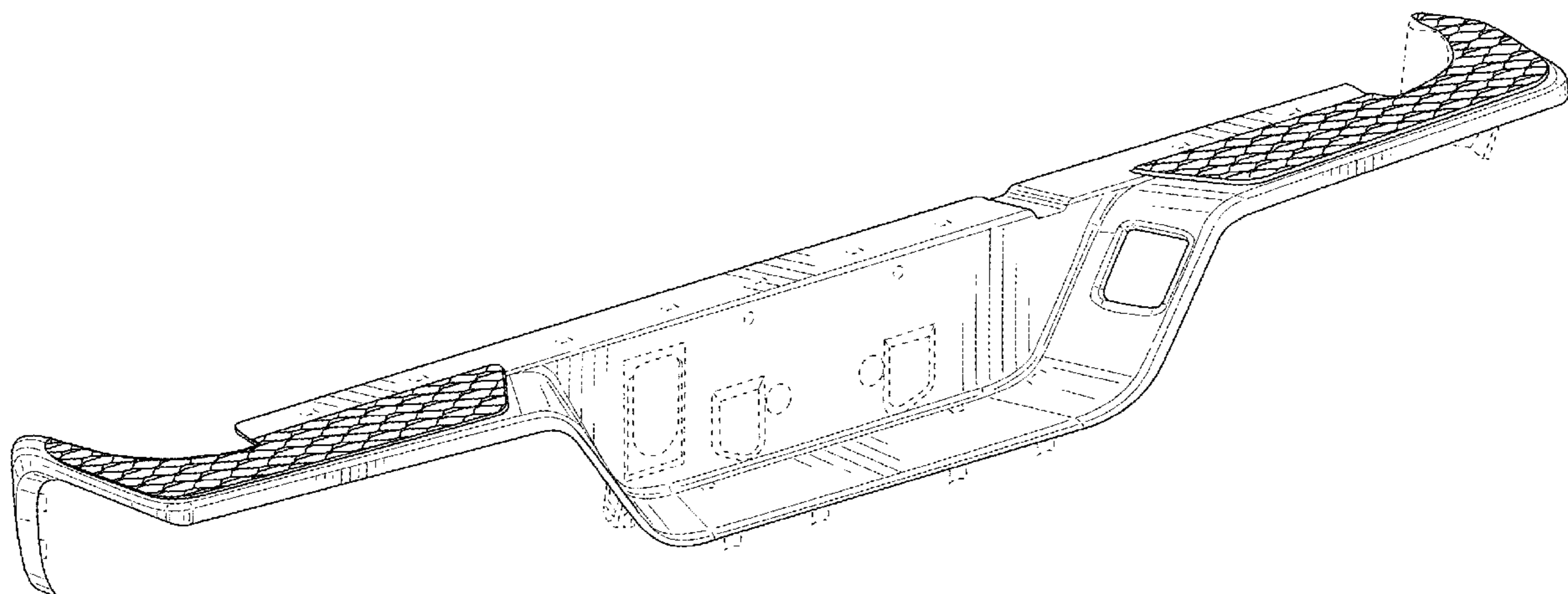
(57) **CLAIM**

The ornamental design for a vehicle bumper step pad, as shown and described.

DESCRIPTION

FIG. 1 is a top and front perspective view of a vehicle bumper step pad showing our new design; FIG. 2 is a front elevational view thereof; FIG. 3 is a rear elevational view thereof; FIG. 4 is a side elevational view thereof; FIG. 5 is an opposite side elevational view thereof; FIG. 6 is a top plan view thereof; and, FIG. 7 is a bottom plan view thereof. It will be understood that the broken lines shown in the drawings illustrate portions of the vehicle bumper step pad that form no part of the claimed design.

1 Claim, 4 Drawing Sheets



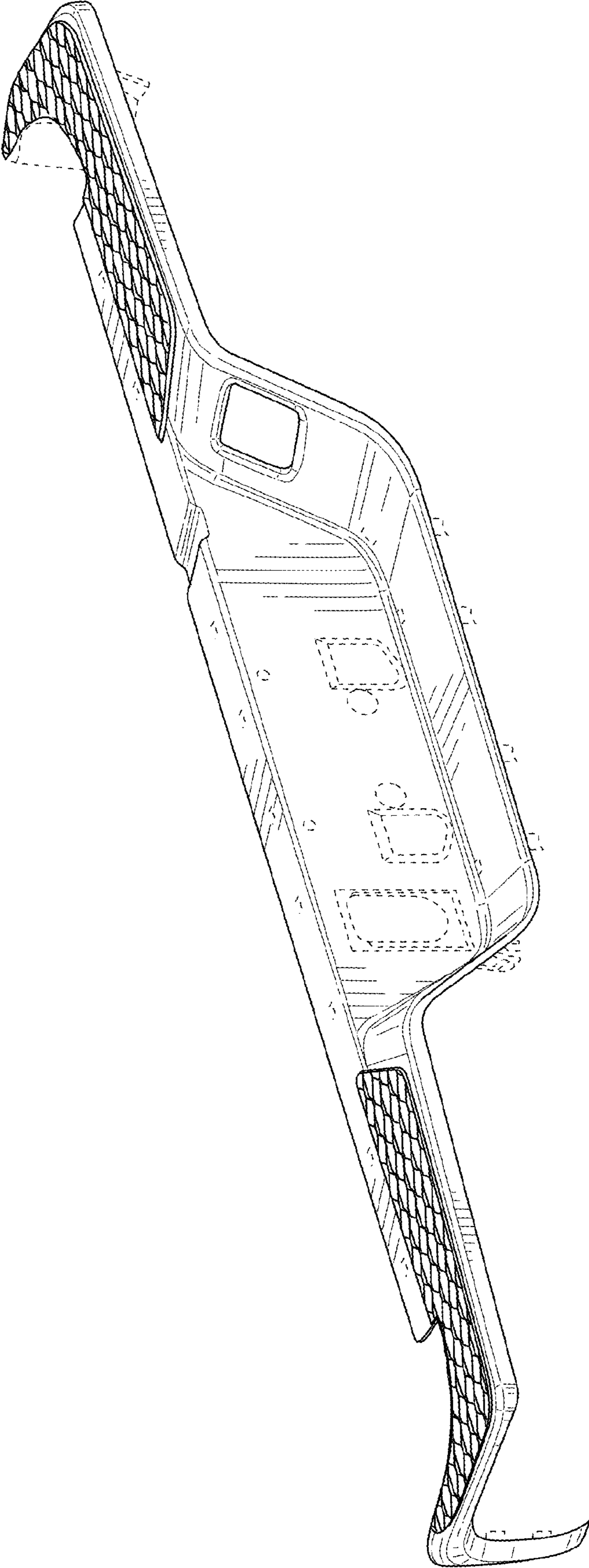


FIG. 1

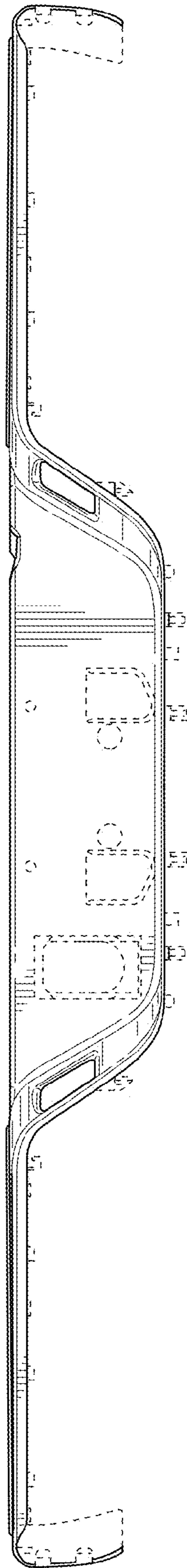


FIG. 2

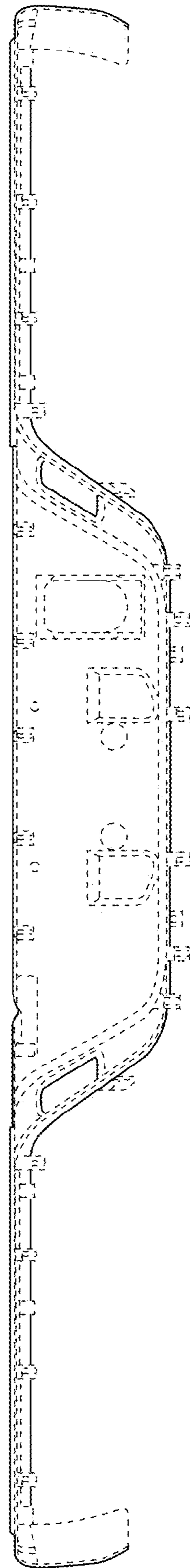


FIG. 3

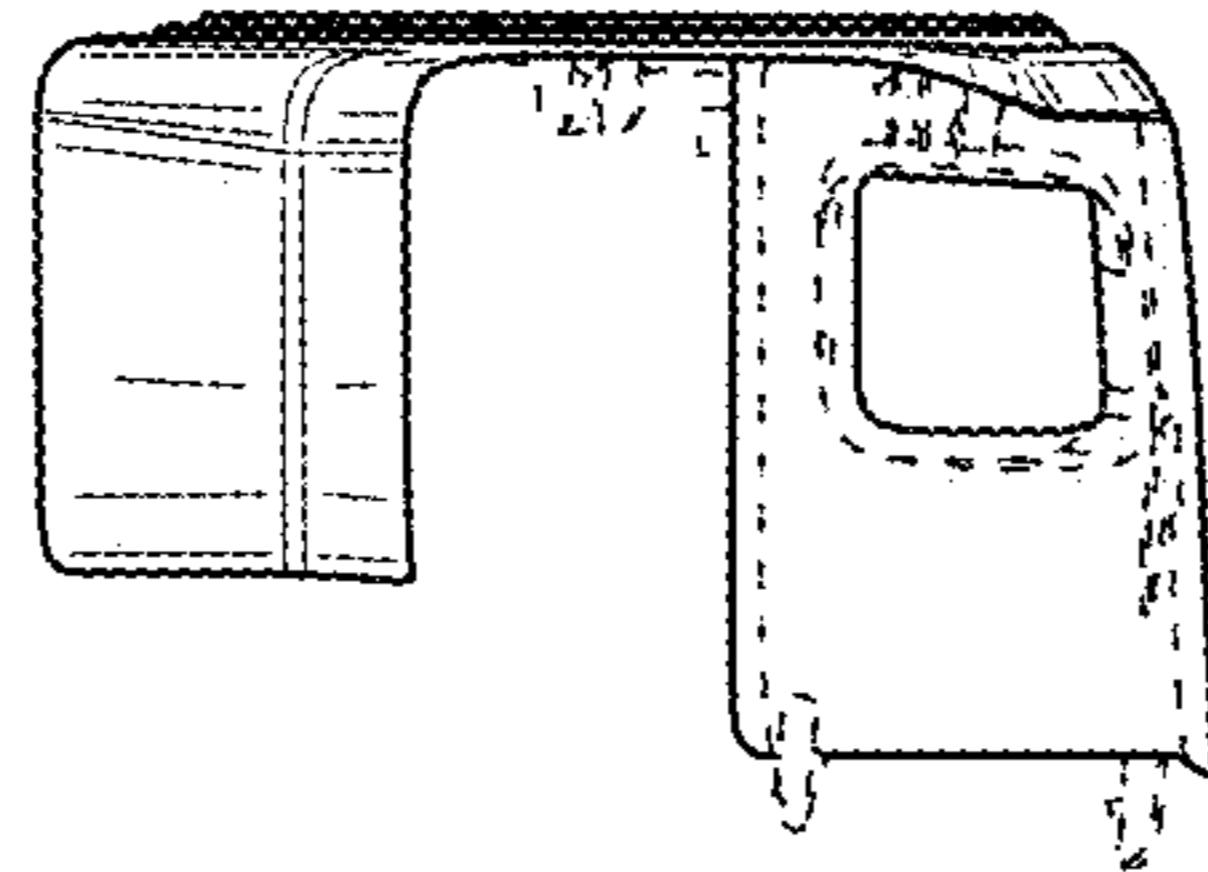


FIG. 4

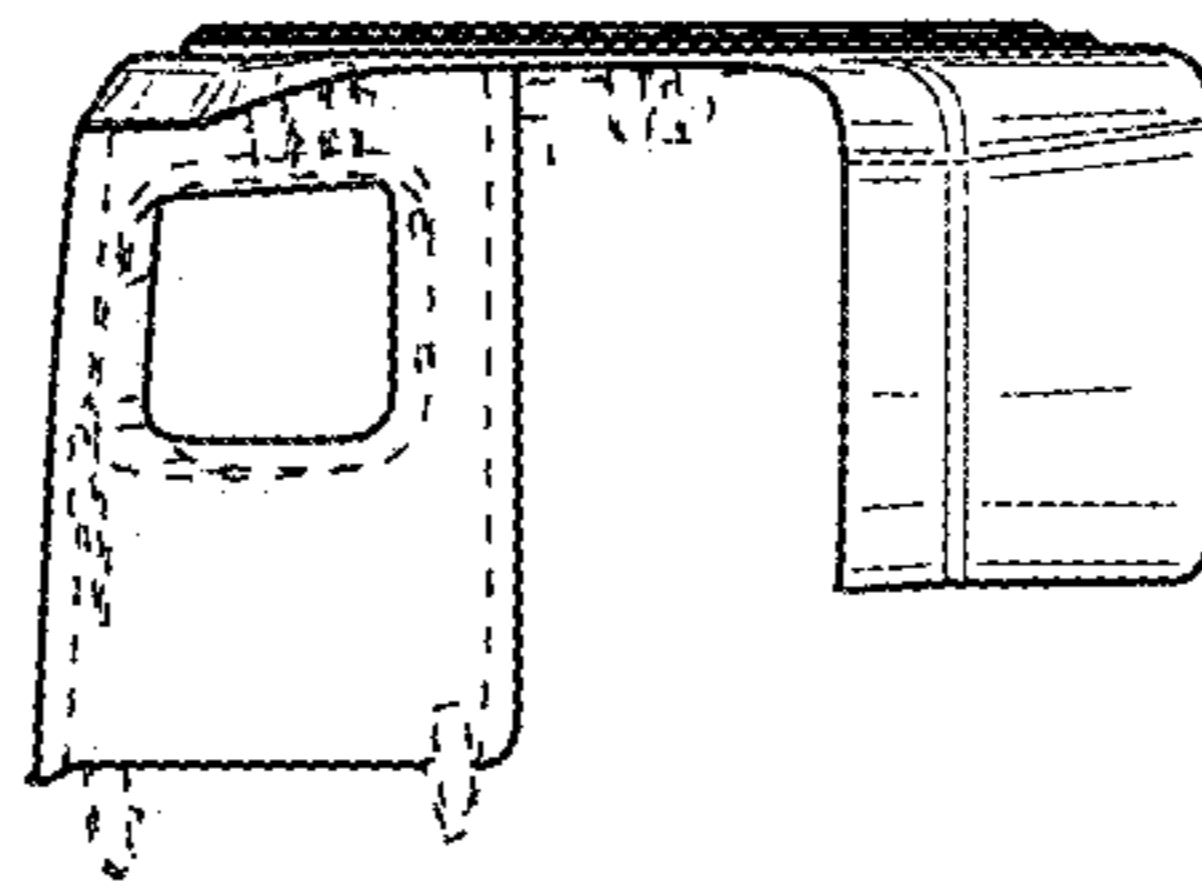


FIG. 5

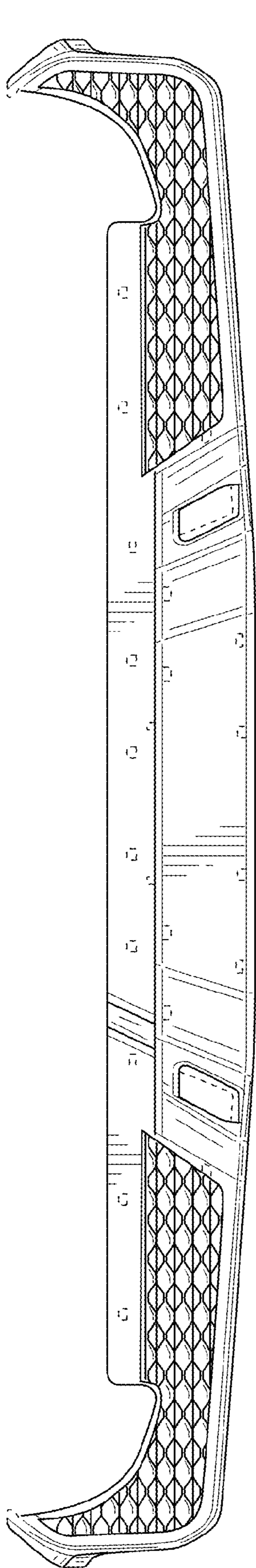


FIG. 6

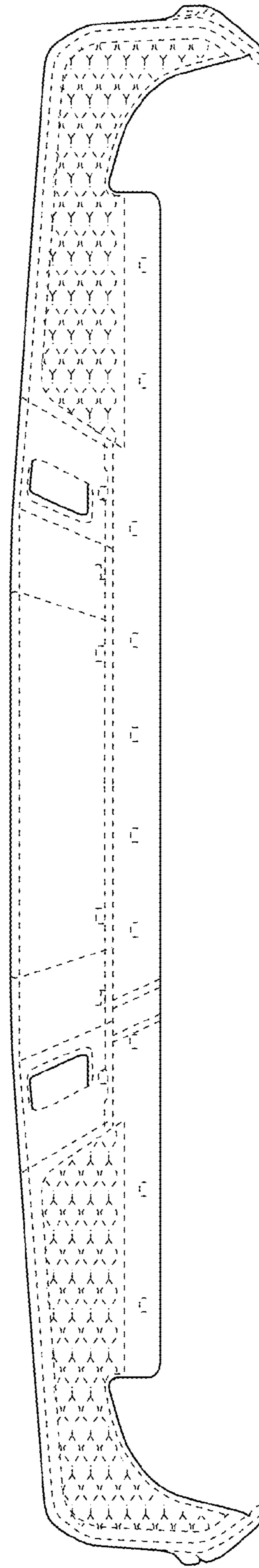


FIG. 7