



US00D909944S

(12) **United States Design Patent** (10) **Patent No.:** **US D909,944 S**  
**McDowell** (45) **Date of Patent:** **\*\* Feb. 9, 2021**

(54) **PAIR OF VEHICLE SIDE STEPS**

(71) Applicant: **Polaris Industries Inc.**, Medina, MN (US)

(72) Inventor: **Robert McDowell**, San Diego, CA (US)

(73) Assignee: **Polaris Industries, Inc.**, Medina, MN (US)

(\*\*) Term: **15 Years**

(21) Appl. No.: **29/705,203**

(22) Filed: **Sep. 10, 2019**

(51) **LOC (13) Cl.** ..... **12-16**

(52) **U.S. Cl.**  
USPC ..... **D12/203**

(58) **Field of Classification Search**  
USPC ..... D12/203, 98, 314, 162, 190, 196  
CPC .. B60R 3/02; B60R 3/00; B60R 3/002; B60R 3/005; B60R 3/007  
See application file for complete search history.

(56) **References Cited**

**U.S. PATENT DOCUMENTS**

D340,905 S	*	11/1993	Orth, Sr. ....	D12/203
D400,149 S	*	10/1998	Zentner .....	D12/203
D400,151 S	*	10/1998	Zentner .....	D12/203
D400,485 S	*	11/1998	Zentner .....	D12/203
D473,178 S	*	4/2003	Schumacher .....	D12/203
D535,928 S	*	1/2007	Crandall .....	D12/203
D658,559 S	*	5/2012	Hodges .....	D12/203
D671,874 S	*	12/2012	Kekich, Jr. ....	D12/203
D676,368 S	*	2/2013	Cover .....	D12/203
D731,384 S	*	6/2015	Farr .....	D12/203
D737,188 S	*	8/2015	Perkins .....	D12/203
D739,322 S	*	9/2015	Villareal .....	D12/203
D766,797 S	*	9/2016	Li .....	D12/203
D789,857 S	*	6/2017	Hare .....	D12/203

(Continued)

*Primary Examiner* — Michelle E. Wilson

*Assistant Examiner* — Clese Moore, Jr.

(74) *Attorney, Agent, or Firm* — Harness Dickey

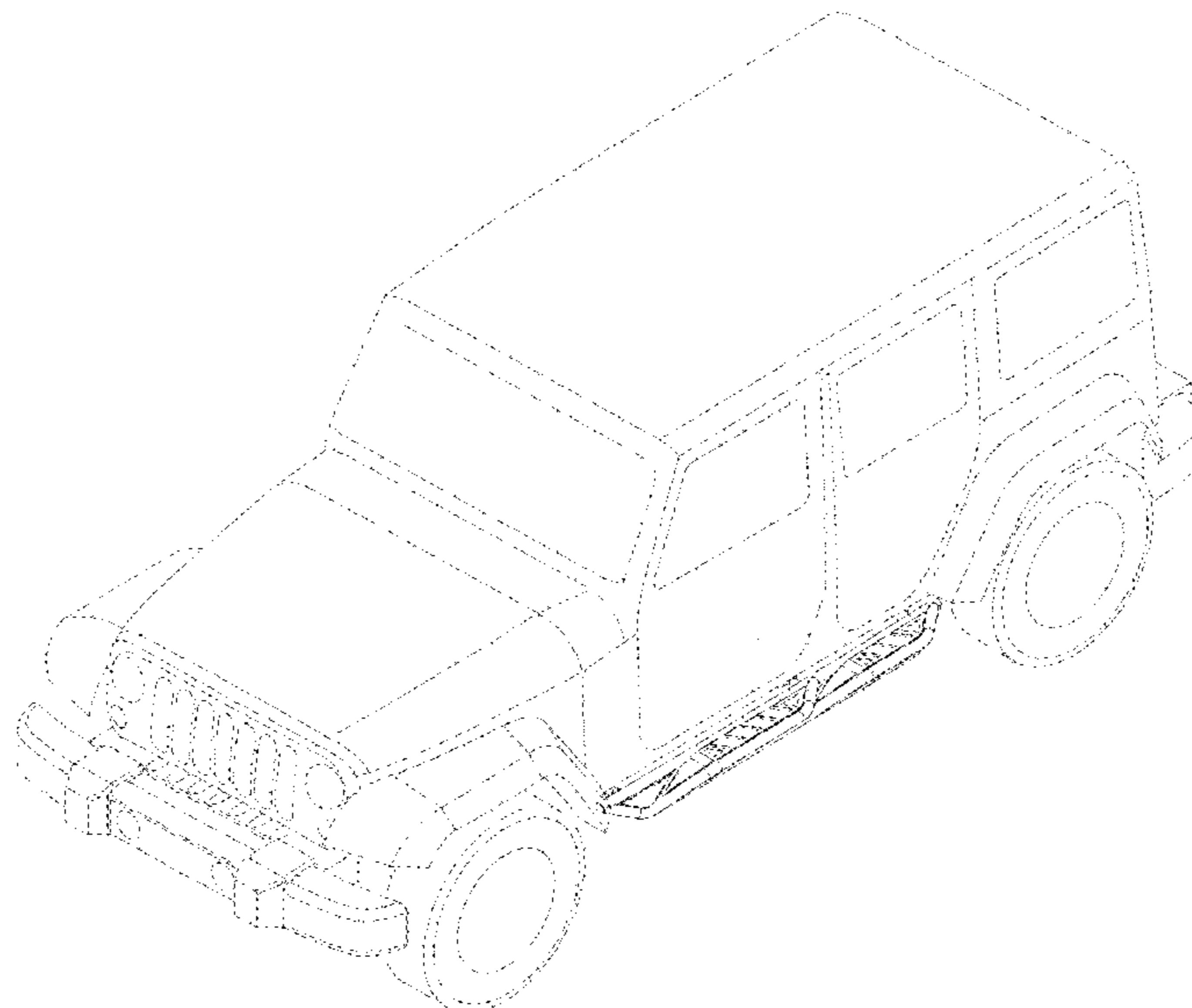
(57) **CLAIM**

The ornamental design for a pair of vehicle side steps, as shown and described.

**DESCRIPTION**

FIG. 1 is an environmental perspective view showing the left side of a pair of vehicle side steps in use;  
 FIG. 2 is a perspective view of the side step of FIG. 1;  
 FIG. 3 is a top side elevational view of the side step of FIG. 1;  
 FIG. 4 is a bottom side elevational view of the side step of FIG. 1;  
 FIG. 5 is a right side elevational view of the side step of FIG. 1;  
 FIG. 6 is a front side elevational view of the side step of FIG. 1;  
 FIG. 7 is a rear elevational view of the side step of FIG. 1.  
 FIG. 8 is an environmental perspective view of a right side of a vehicle having a side step that is a mirror image of FIGS. 1-7;  
 FIG. 9 is a perspective view of the side step of FIG. 8;  
 FIG. 10 is a top side elevational view of the side step of FIG. 8;  
 FIG. 11 is a bottom side elevational view of the side step of FIG. 8;  
 FIG. 12 is a left side elevational view of the side step of FIG. 8;  
 FIG. 13 is a rear side elevational view of the side step of FIG. 8; and,  
 FIG. 14 is a front side elevational view of the side step of FIG. 8.  
 The broken lines shown illustrate portions for a pair of vehicle side steps and environmental subject matter that form no part of the claimed design.

**1 Claim, 8 Drawing Sheets**



(56)

**References Cited**

U.S. PATENT DOCUMENTS

D789,858 S *	6/2017	Hare .....	D12/203
D805,986 S *	12/2017	Chi .....	D12/203
D807,804 S *	1/2018	Huang .....	D12/203
D809,446 S *	2/2018	Montoya .....	D12/203
D811,974 S *	3/2018	Guo .....	D12/203
D811,975 S *	3/2018	Guo .....	D12/203
D817,838 S *	5/2018	Dionisopoulos .....	D12/203
D829,626 S *	10/2018	Tang .....	D12/203
D833,940 S *	11/2018	DiCanzio .....	D12/203
D843,908 S *	3/2019	Mosingo .....	D12/203
D847,716 S *	5/2019	Kim .....	D12/203
D855,531 S *	8/2019	Hodges .....	D12/203

\* cited by examiner

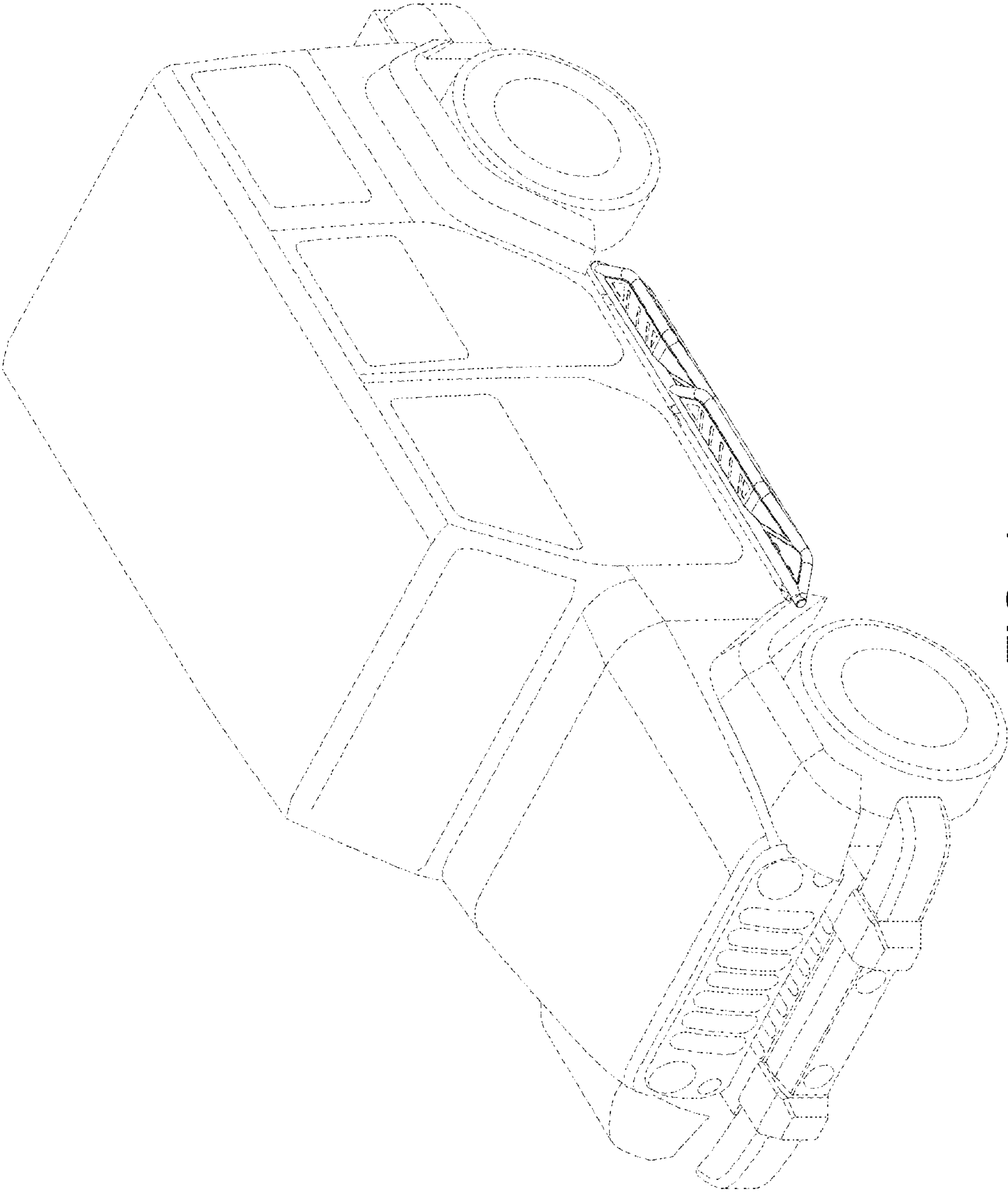


FIG. 1

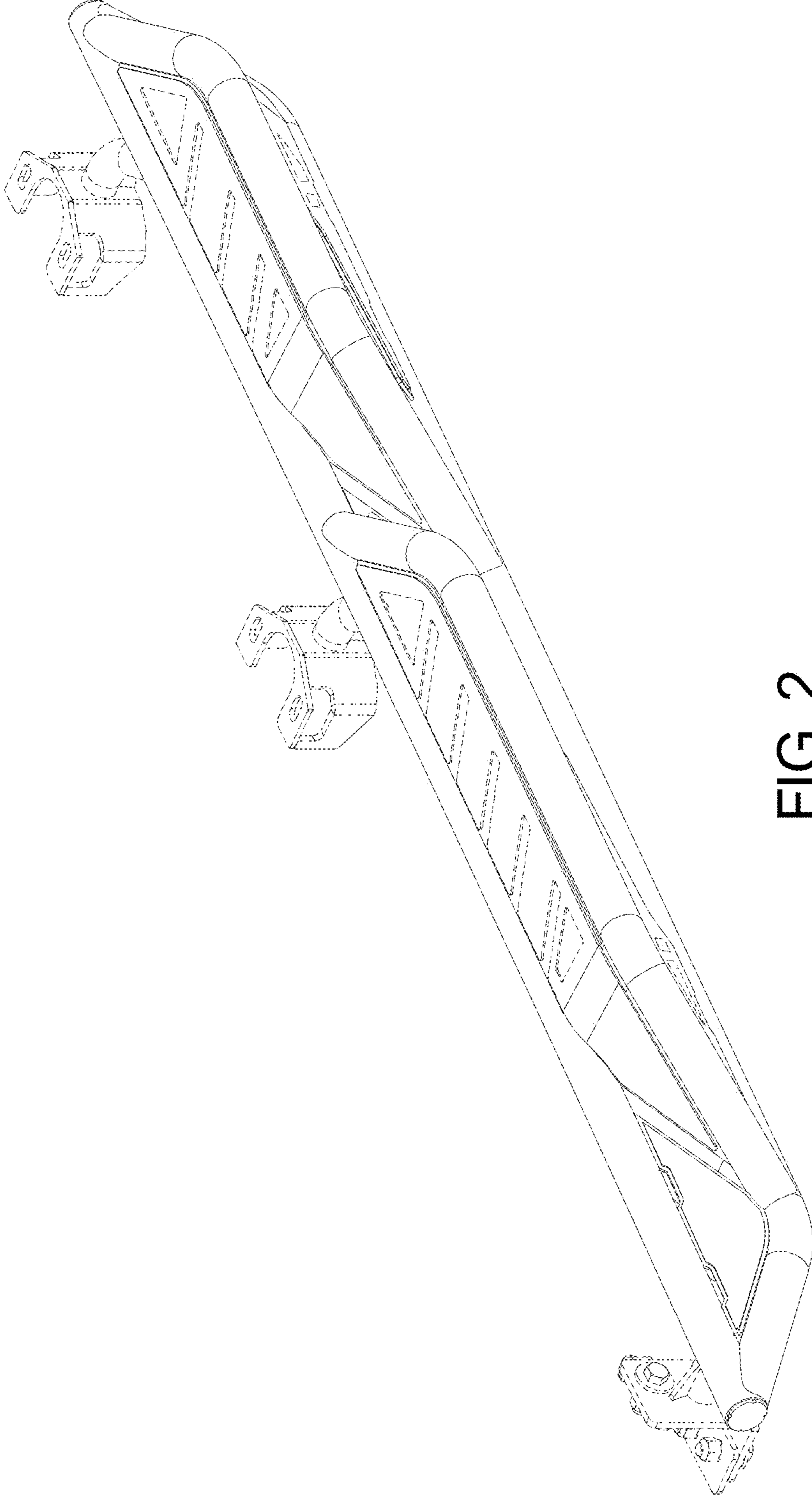


FIG. 2

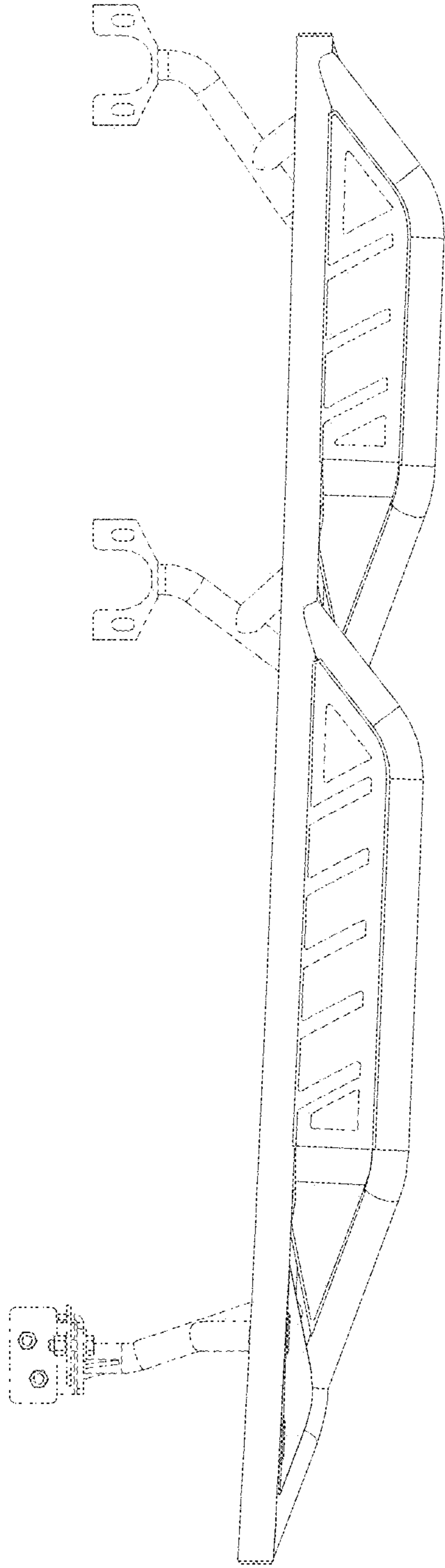


FIG. 3

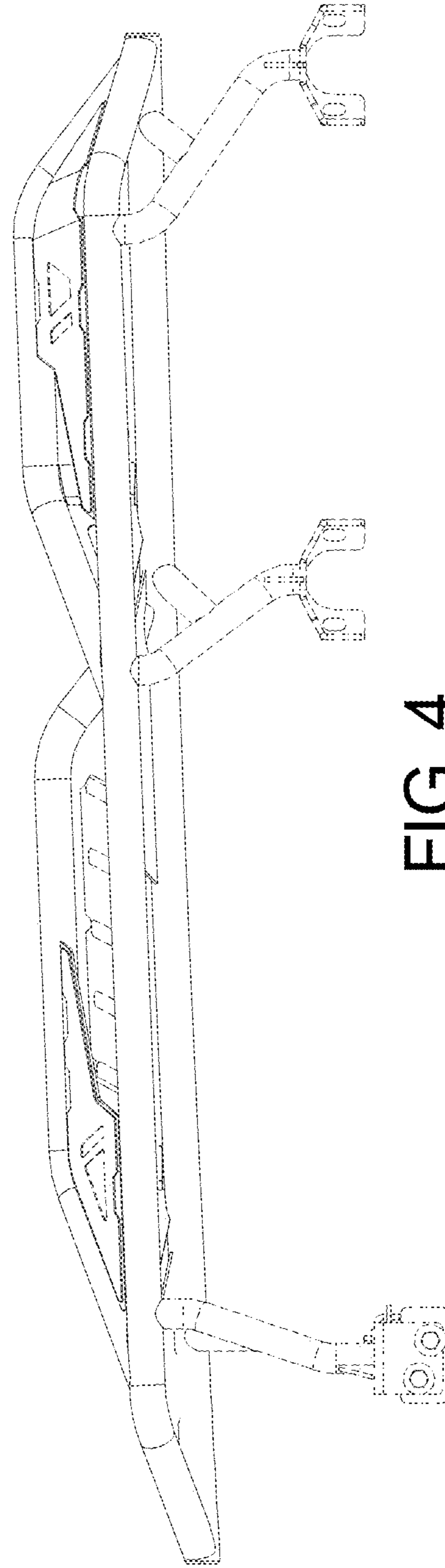


FIG. 4

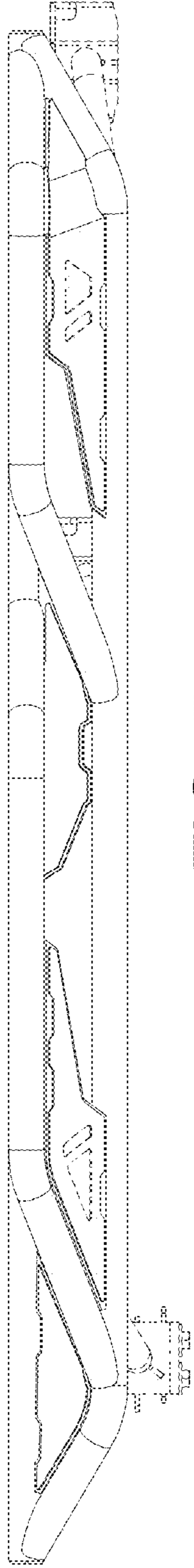


FIG. 5

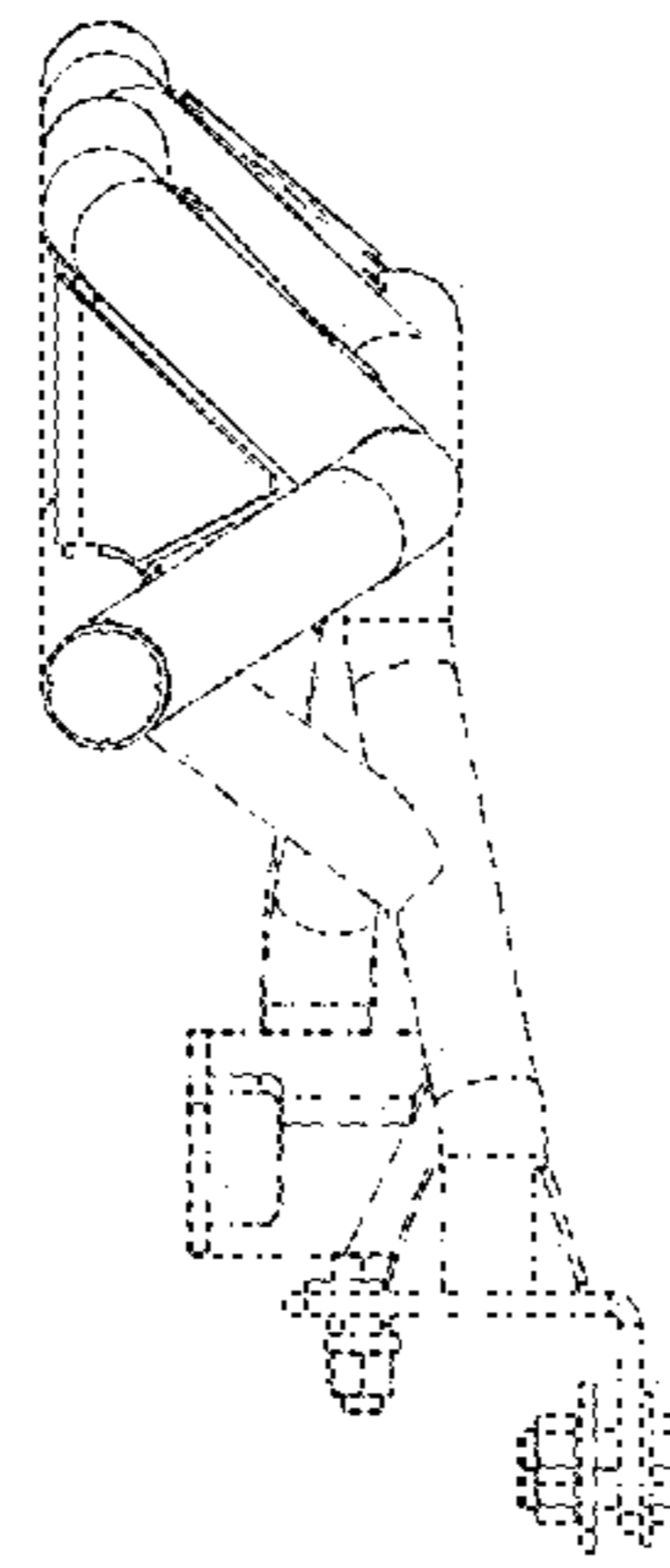


FIG. 6

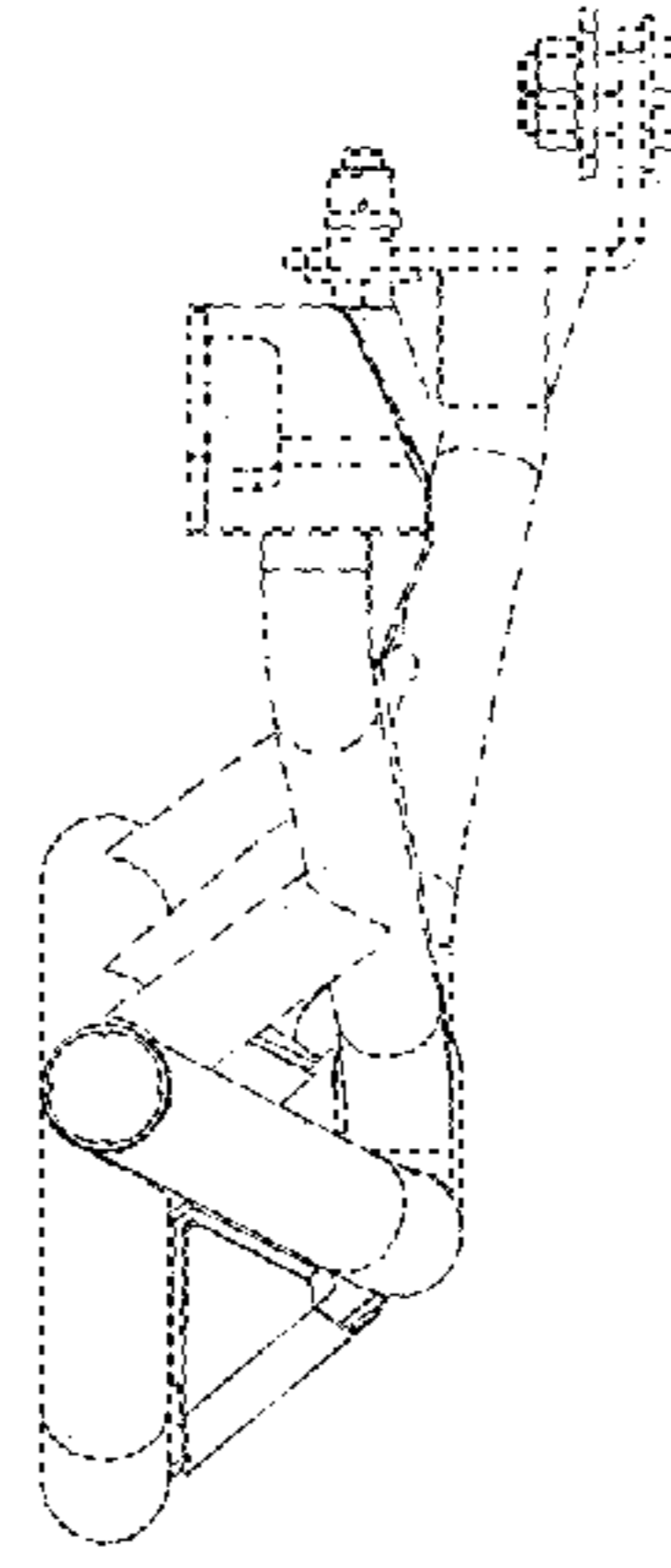


FIG. 7

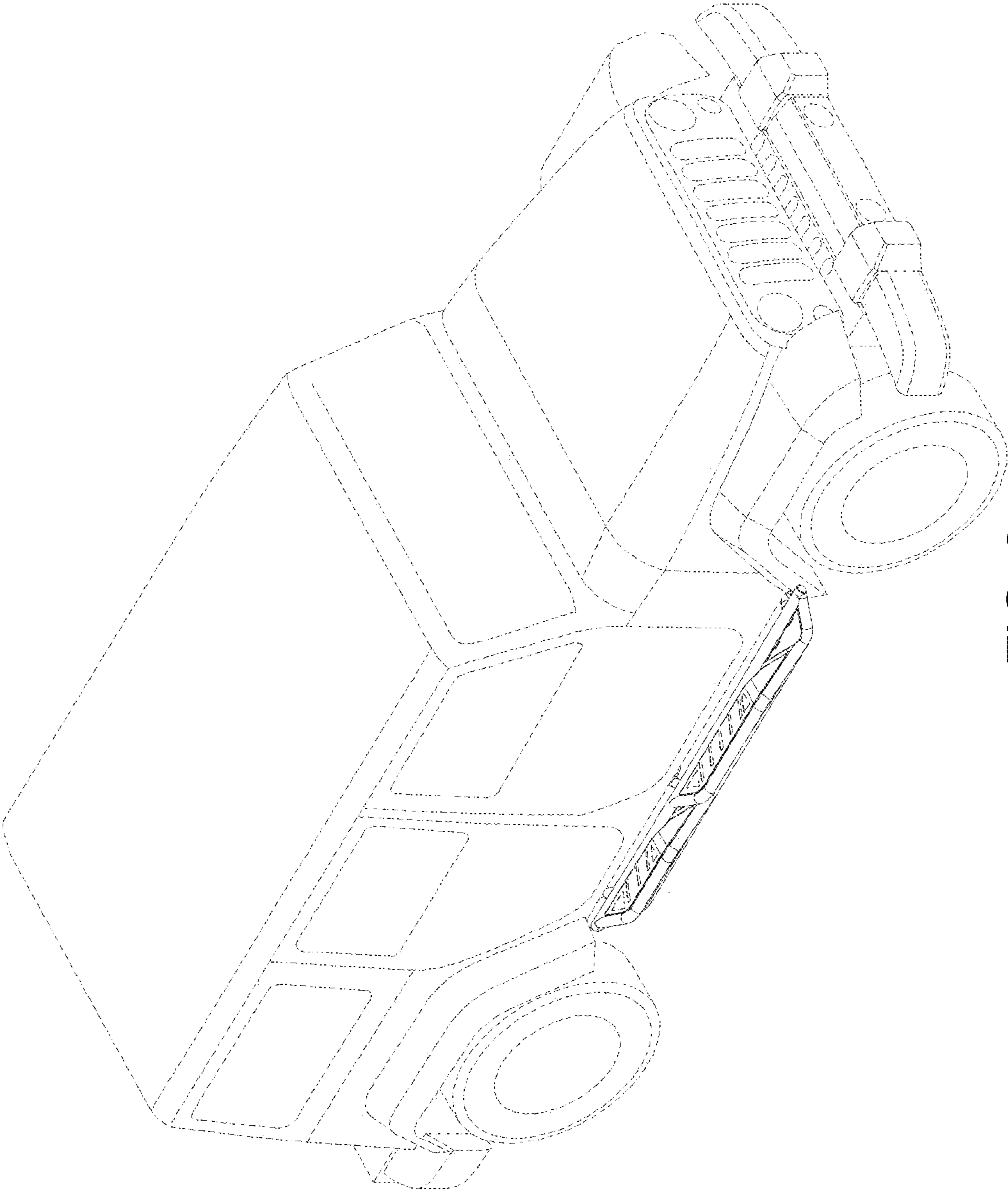


FIG. 8

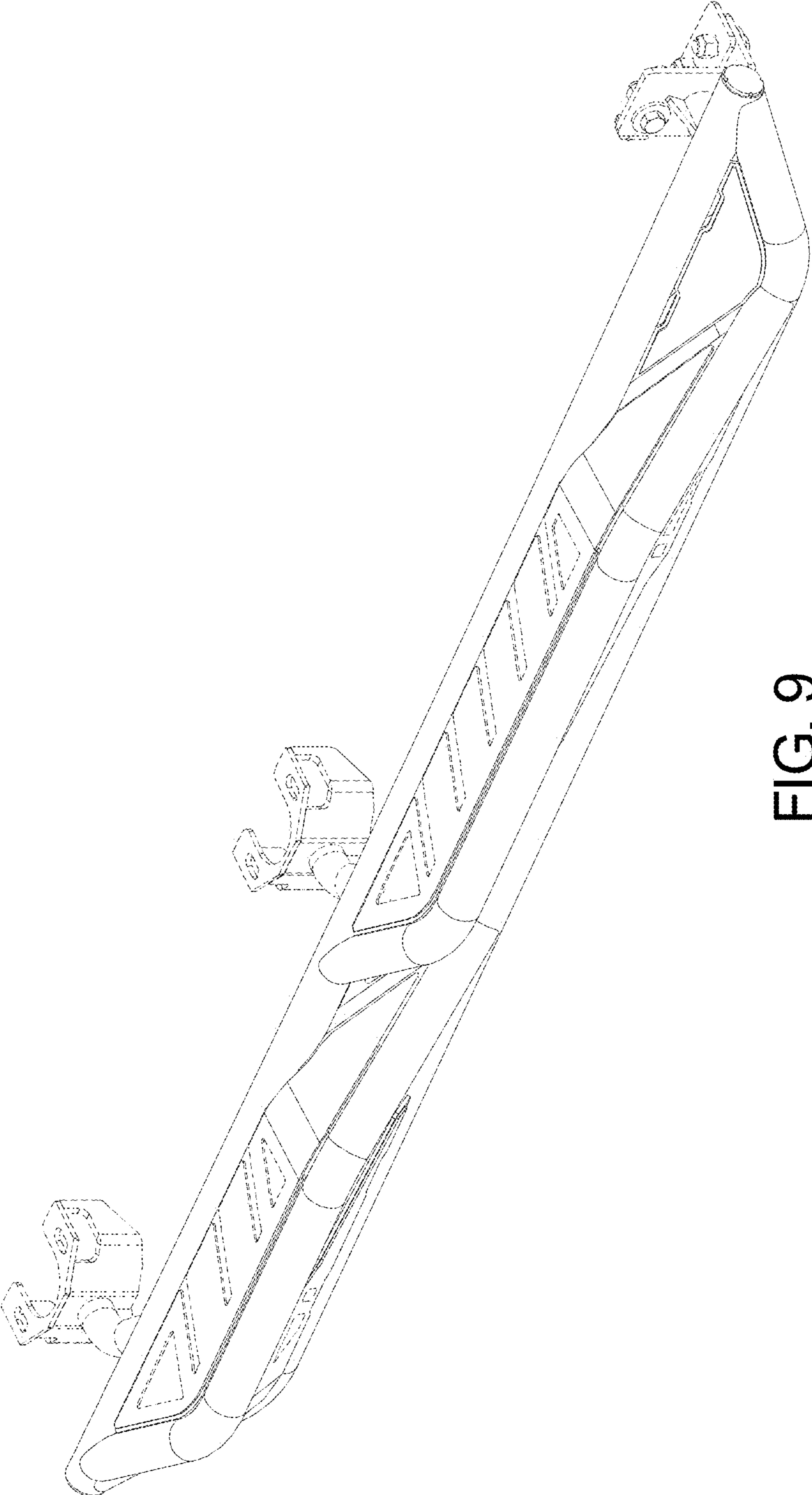


FIG. 9



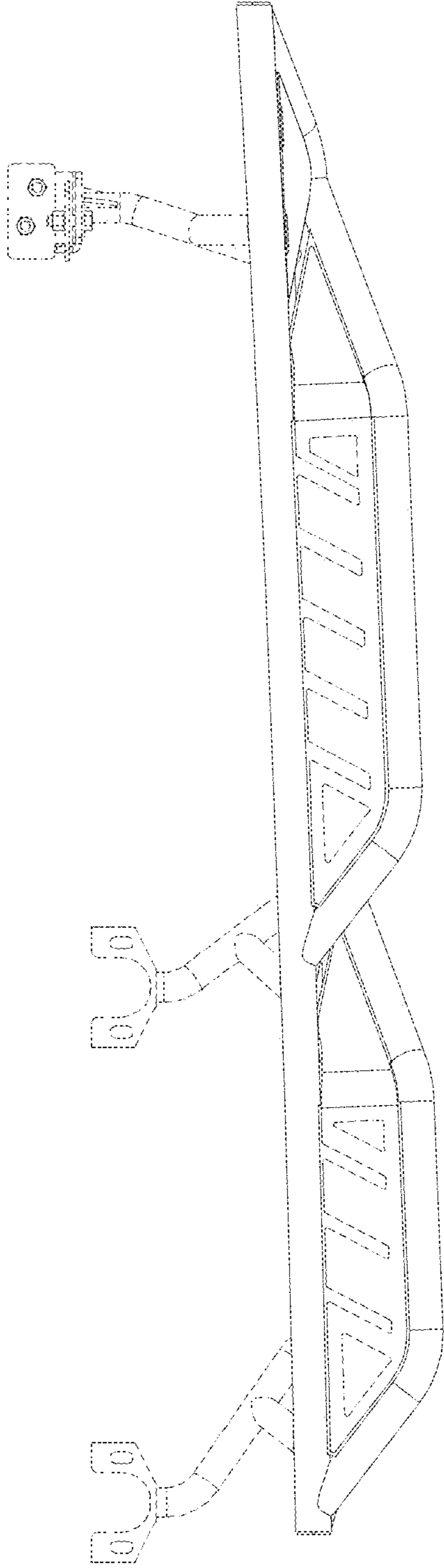


FIG. 10

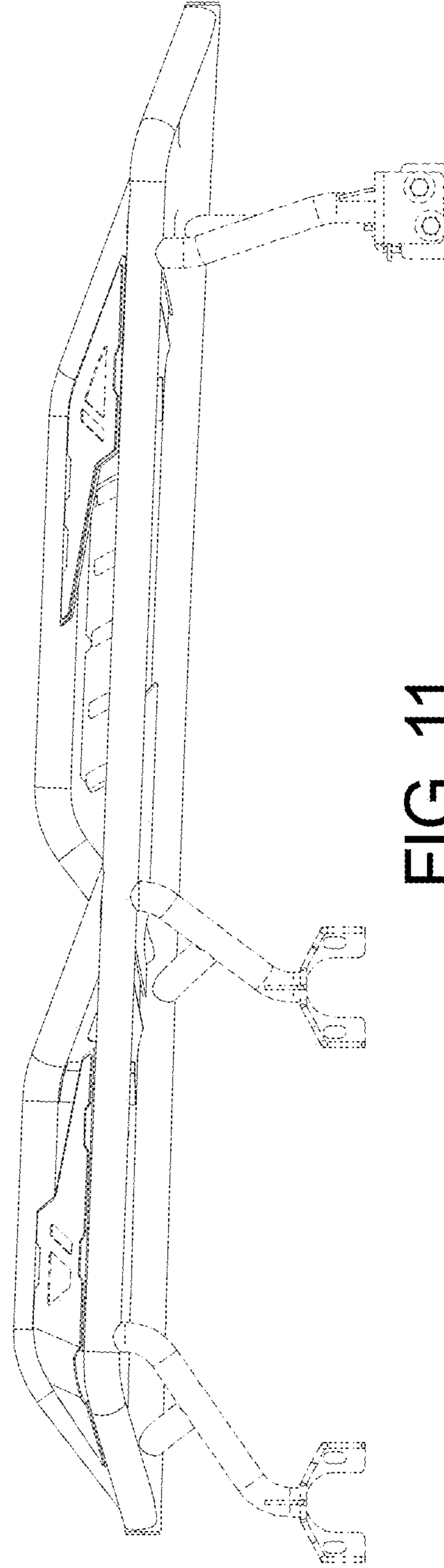


FIG. 11

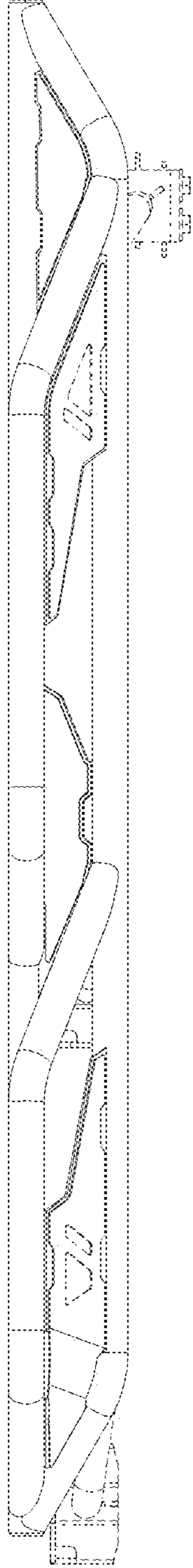


FIG. 12

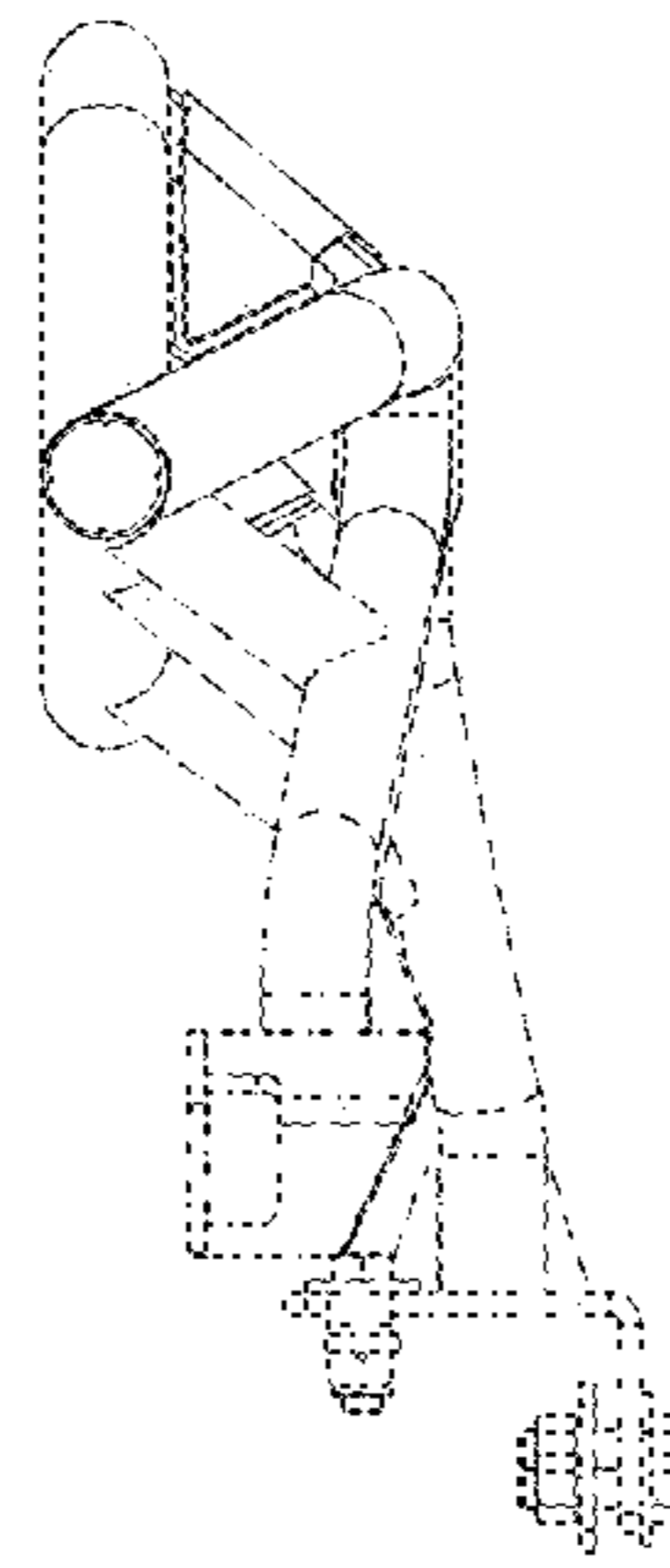


FIG. 13

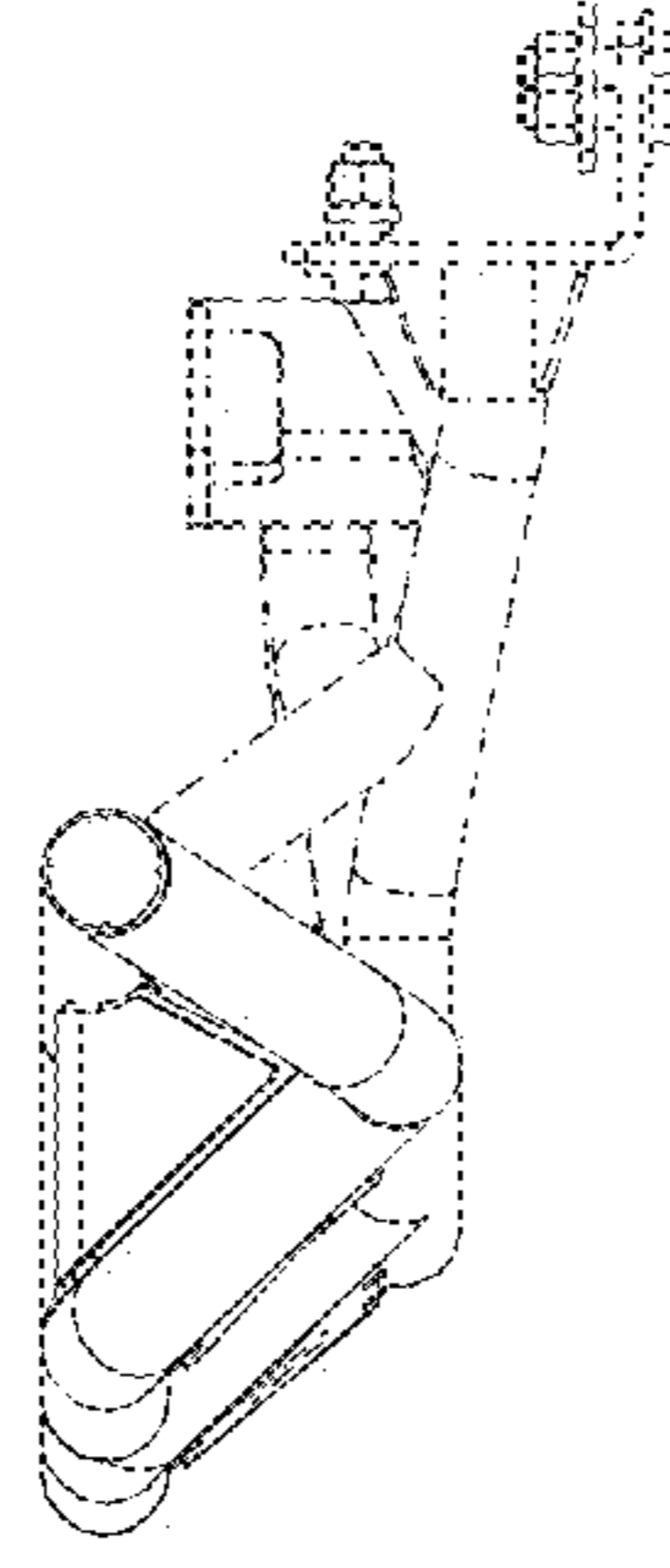


FIG. 14