



US00D909942S

(12) **United States Design Patent** (10) **Patent No.:** **US D909,942 S**
Tinius (45) **Date of Patent:** **** Feb. 9, 2021**

(54) **FILLER CAP**

FOREIGN PATENT DOCUMENTS

(71) Applicant: **Andreas Stihl AG & Co. KG**,
Waiblingen (DE)

CN 304624367 * 11/2017
EM 003074400-0002 * 4/2016

(72) Inventor: **Michael Tinius**, Ulm (DE)

OTHER PUBLICATIONS

(73) Assignee: **Andreas Stihl AG & Co. KG**,
Waiblingen (DE)

Hipa (Pack of 2 Gas Cap for STIHL MS270 MS 280 MS290 MS310 MS340 MS341 MS360 MS361 MS390 MS440 MS460 Chainsaw, Amazon.com, [online], [site visited May 22, 2020]. <URL: https://www.amazon.com/Hipa-STIHL-M5270-M5280-Chainsaw/dp/B01A5IO4GC/ref=redir_mobile_desktop?ie=UTF8&aaxitk=> (Year: 2020).*

(**) Term: **15 Years**

(21) Appl. No.: **29/684,972**

(Continued)

(22) Filed: **Mar. 25, 2019**

(30) **Foreign Application Priority Data**

Primary Examiner — T Chase Nelson

Assistant Examiner — Jonathan J. Han

Oct. 2, 2018 (EM) 005701539

(74) *Attorney, Agent, or Firm* — McGuireWoods LLP

(51) **LOC (13) Cl.** **12-16**

(52) **U.S. Cl.**
USPC **D12/197**

(57) **CLAIM**

(58) **Field of Classification Search**

I claim the ornamental design for a filler cap, as shown and described.

USPC D12/197-201, 317, 114, 216, 218, 400;
D7/398, 598; D8/310-312, 107;
D9/451-454, 443-444, 435, 439; D15/5,
D15/6, 150; D23/260; 220/86.1, 86.2,
220/86.3, 203.04, 203.05, 203.19, 210,
220/288, DIG. 5, DIG. 12, DIG. 32,
220/DIG. 33, 302, 303; 184/88.1;
141/98, 331, 337, 338

DESCRIPTION

CPC B60H 1/34; B25B 27/0042
See application file for complete search history.

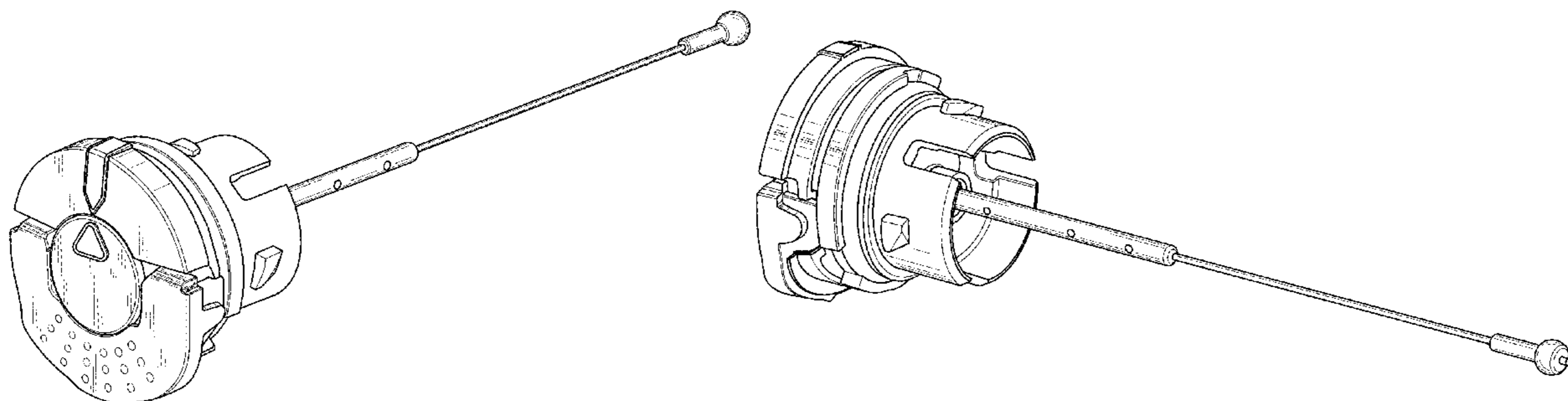
FIG. 1 is a right-front perspective view of the filler cap showing my new design;
FIG. 2 is a left side elevation view of the filler cap shown in FIG. 1;
FIG. 3 is a right side elevation view of the filler cap shown in FIG. 1;
FIG. 4 is a bottom plan view of the filler cap shown in FIG. 1;
FIG. 5 is a top plan view of the filler cap shown in FIG. 1;
FIG. 6 is a front elevation view of the filler cap shown in FIG. 1;
FIG. 7 is a rear elevation view of the filler cap shown in FIG. 1; and,
FIG. 8 is right-rear perspective view of the filler cap shown in FIG. 1.

(56) **References Cited**

U.S. PATENT DOCUMENTS

2,631,814 A * 3/1953 Abplanalp F16K 21/00
251/353
D227,801 S * 7/1973 Oudwaal D10/60
D250,467 S * 12/1978 O'Banion D12/197
D256,721 S * 9/1980 Boller D12/197
D261,674 S * 11/1981 Nice D15/199

1 Claim, 8 Drawing Sheets



(56)

References Cited

U.S. PATENT DOCUMENTS

D280,726 S * 9/1985 Ruter D15/6
 D300,909 S * 5/1989 Thornburg D10/103
 D312,442 S * 11/1990 Whitley, II D12/197
 D313,788 S * 1/1991 Odekirk D12/197
 D353,357 S * 12/1994 Weinberg D12/197
 D359,684 S * 6/1995 Duggan D9/436
 D376,565 S * 12/1996 Davidson D12/126
 D382,529 S * 8/1997 Davidson D12/197
 D400,838 S * 11/1998 Stahel D12/197
 D402,248 S * 12/1998 Triebold D12/197
 D477,554 S * 7/2003 Keefer D12/197
 D537,024 S * 2/2007 Shibuta D12/197
 D567,728 S * 4/2008 Huston D12/197
 D617,459 S * 6/2010 Bogue D12/197
 D640,111 S * 6/2011 Tinius D8/65
 D651,061 S * 12/2011 Tinius D8/65
 8,434,634 B2 * 5/2013 Bork G01F 23/50
 116/228
 D687,755 S * 8/2013 Griffin D12/197
 D737,646 S * 9/2015 Tinius D8/65
 D737,747 S * 9/2015 Fretz D12/207
 D757,541 S * 5/2016 Wu D9/439

D779,939 S * 2/2017 Boroski D9/447
 D803,389 S * 11/2017 Pratley D24/110.1
 D825,643 S * 8/2018 Wengreen D16/242
 D839,739 S * 2/2019 Stammen D9/454
 D839,740 S * 2/2019 Stammen D9/454
 D846,343 S * 4/2019 Samartgis D7/392
 D861,485 S * 10/2019 Kapolis D9/453
 D873,373 S * 1/2020 Hartman D22/112
 D873,603 S * 1/2020 Diener D7/392
 D881,639 S * 4/2020 Backs D7/392.1
 2007/0164031 A1 * 7/2007 Holz G01F 23/50
 220/300

OTHER PUBLICATIONS

Mocal 300 Series 2 Alloy Aero Fuel Cap, RallyNuts.com, [online], [site visited May 22, 2020]. <URL: <https://www.rallynuts.com/motorsport-fuel-caps/mocal-300-series-2-alloy-aero-fuel-cap.html>> (Year: 2020).*

Iron Man's Arc Reactor in Real Life, Ironman-Fanatic.Blogspot.com, Monday, Oct. 5, 2015, [online], [site visited May 22, 2020]. <URL: <http://ironman-fanatic.blogspot.com/2015/10/iron-mans-arc-reactor-in-real-life.html>> (Year: 2015).*

* cited by examiner

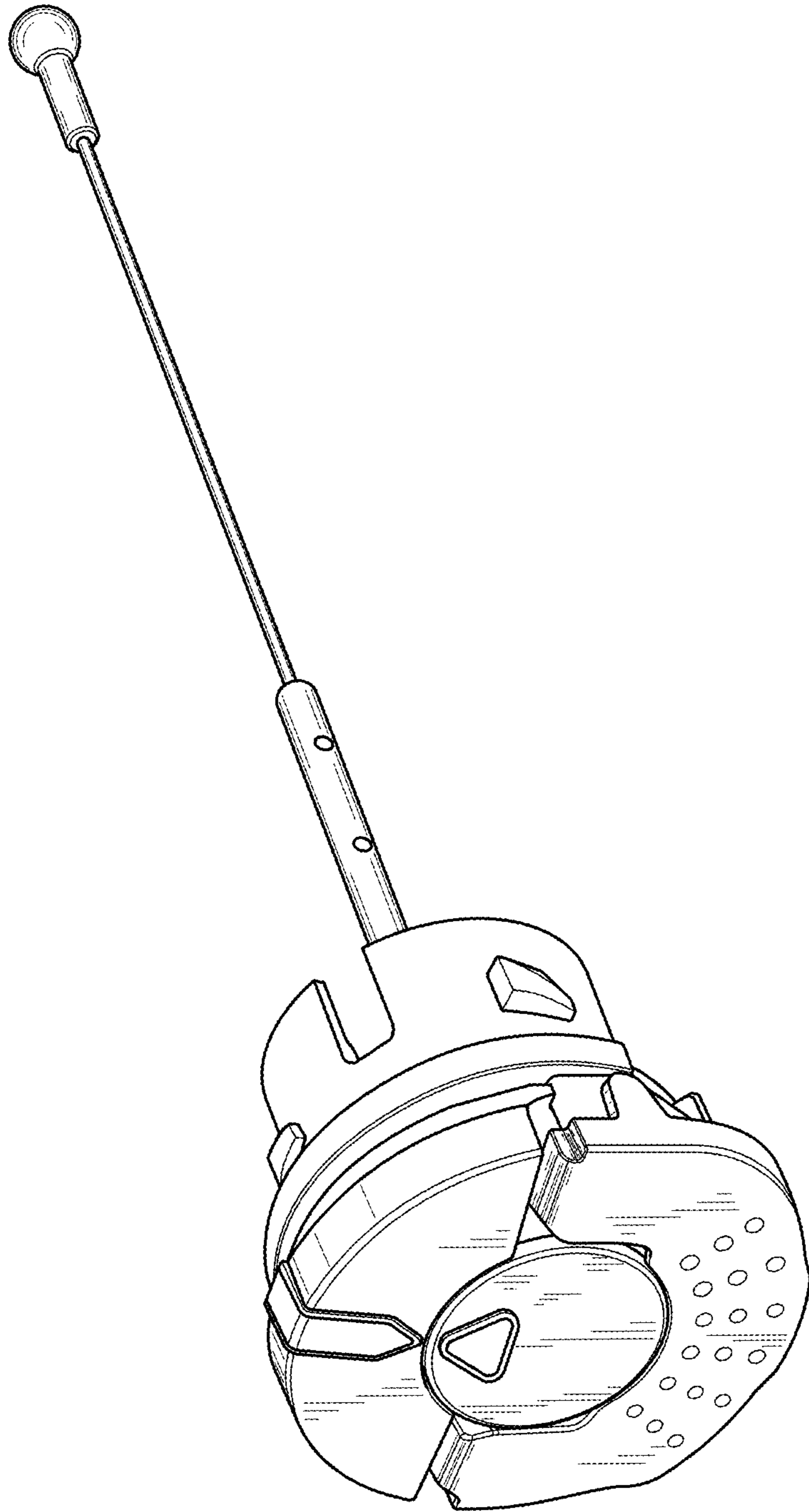


FIG. 1

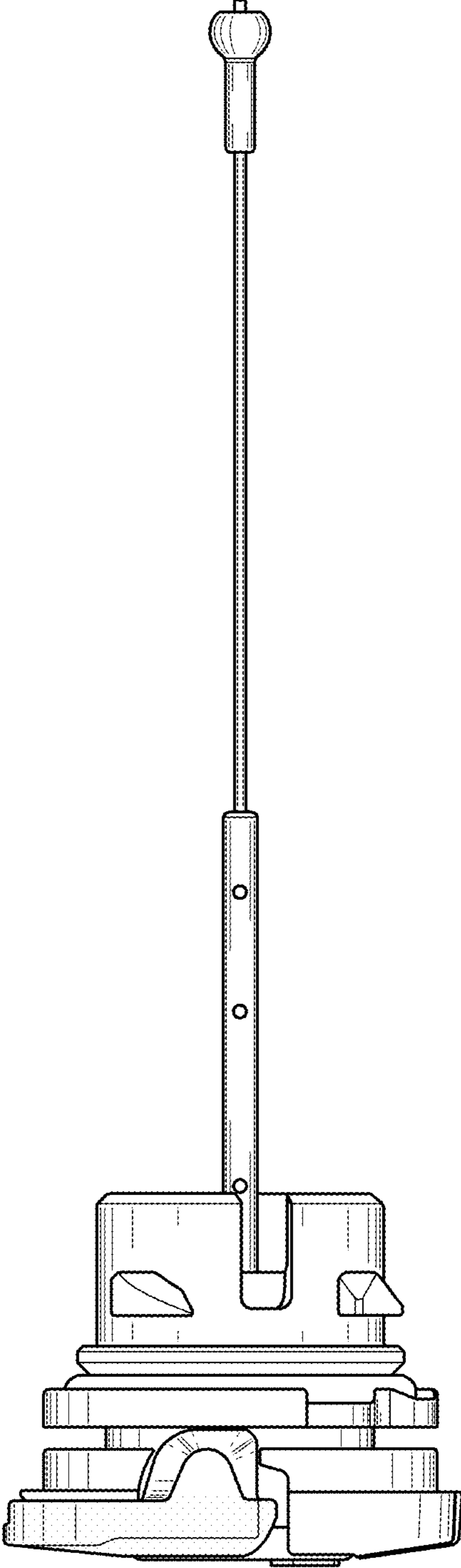


FIG. 2

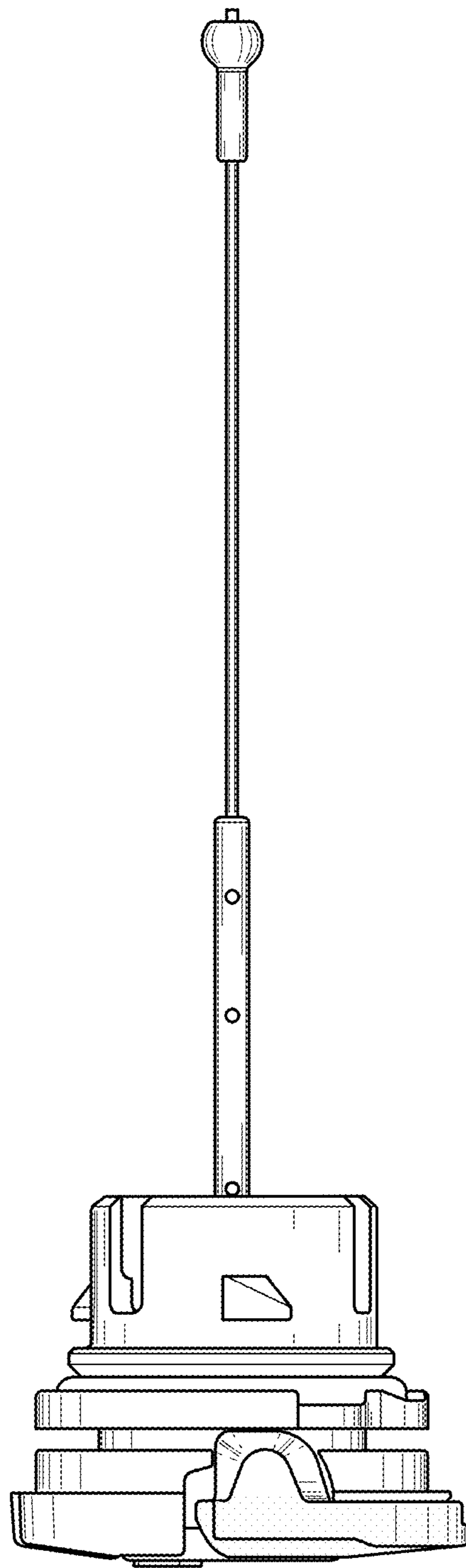


FIG. 3

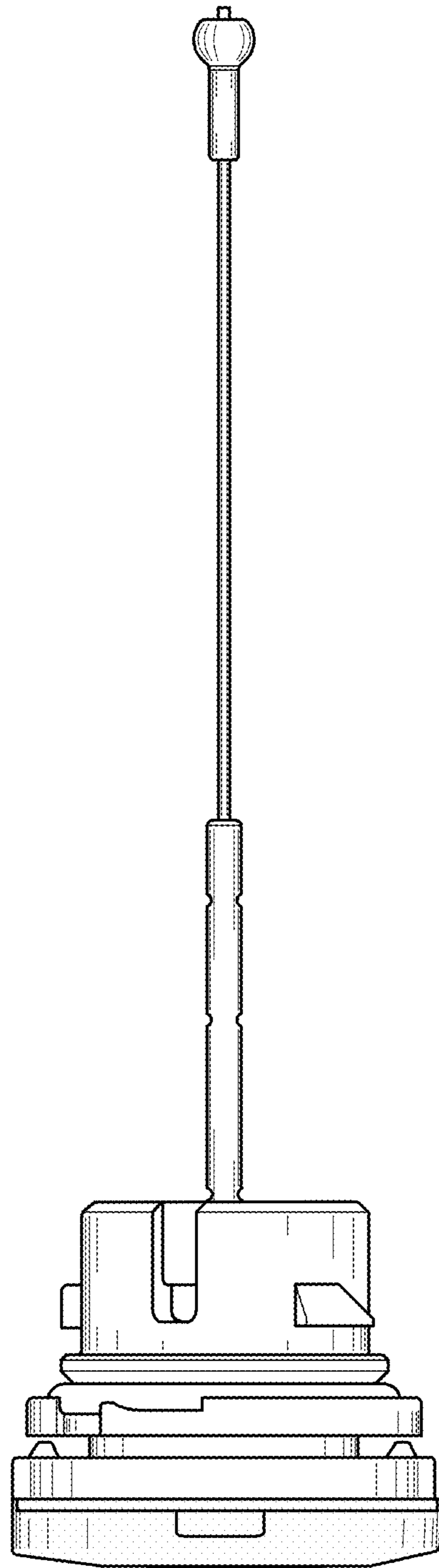


FIG. 4

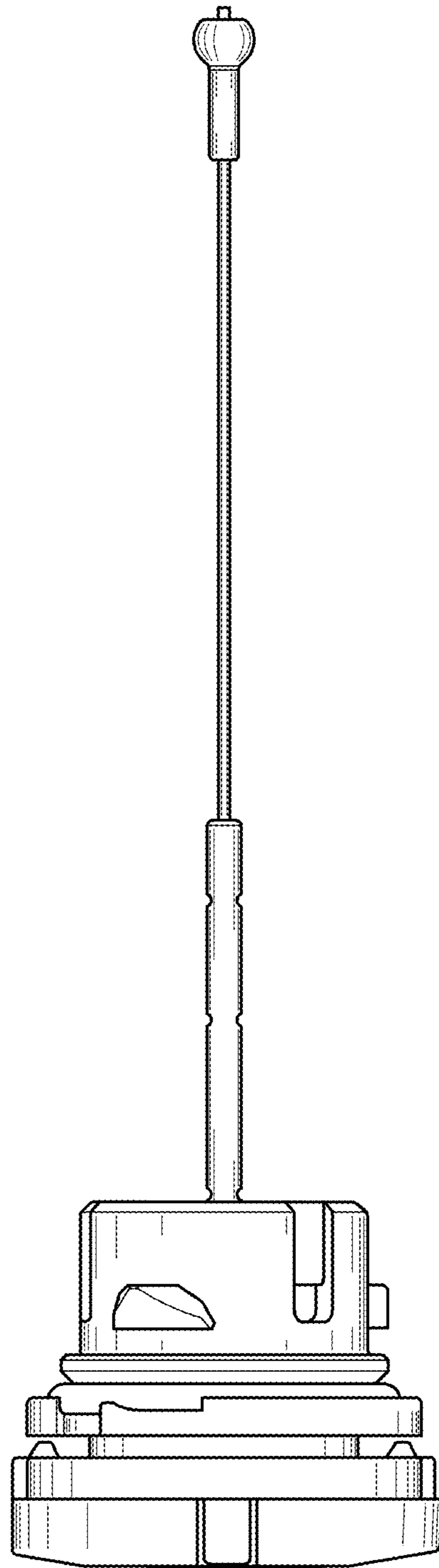


FIG. 5

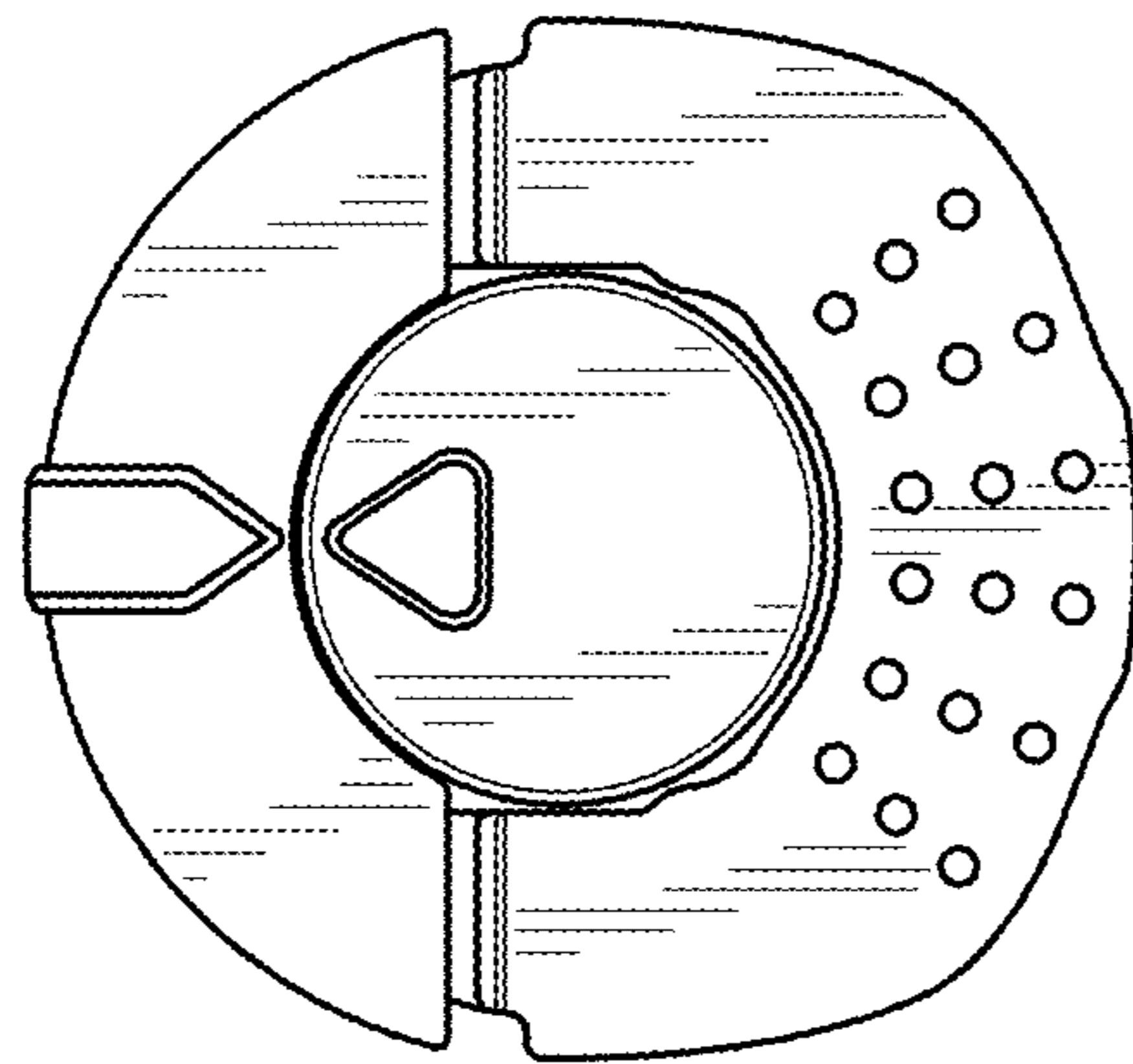


FIG. 6

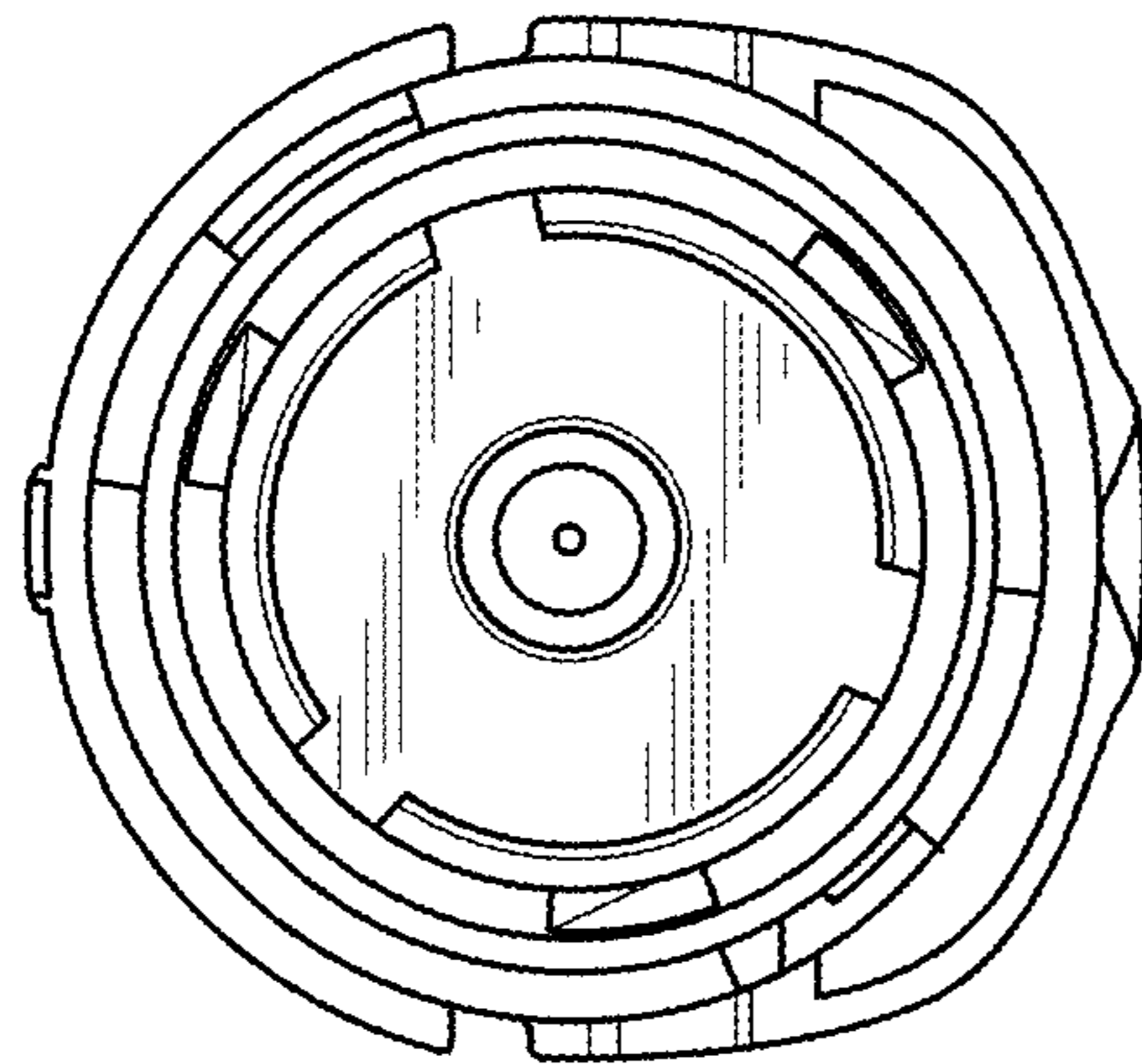


FIG. 7

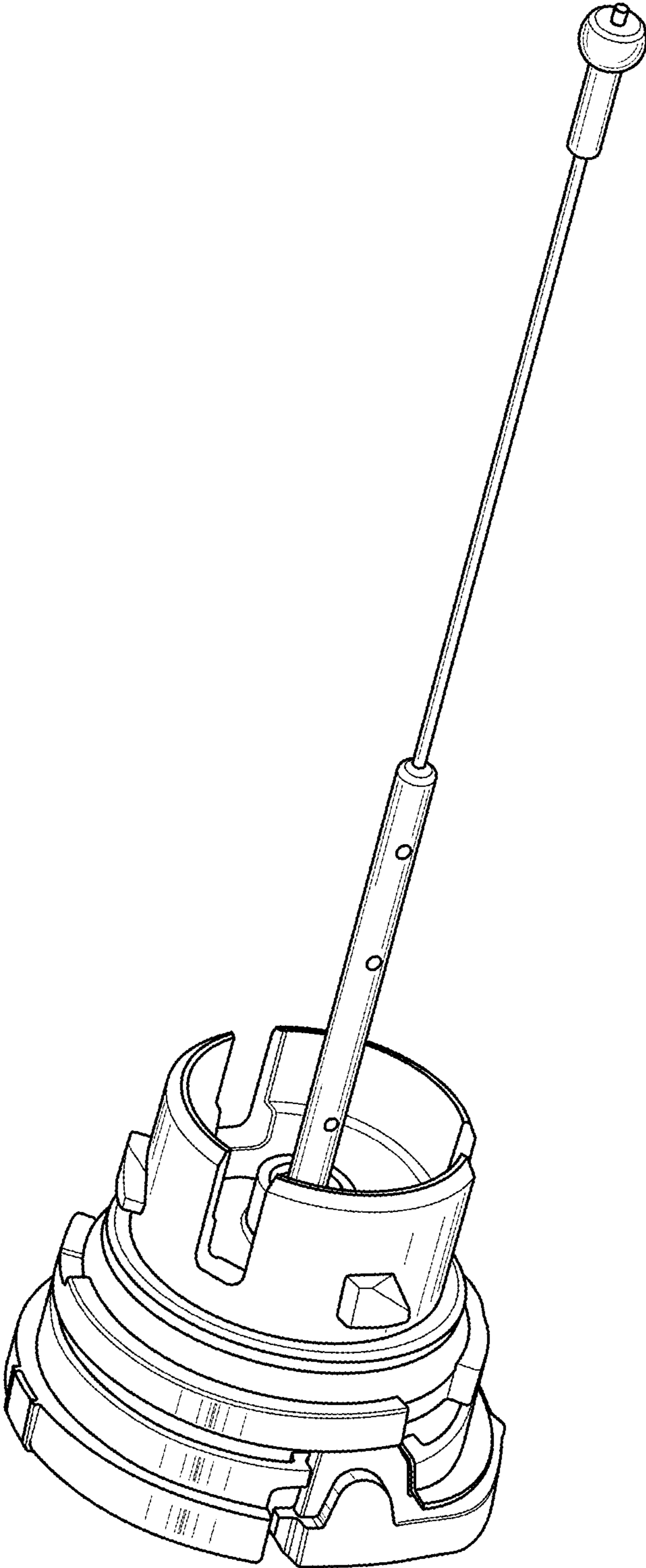


FIG. 8