



US00D909941S

(12) **United States Design Patent** (10) **Patent No.:** **US D909,941 S**
Perry (45) **Date of Patent:** **** Feb. 9, 2021**

(54) **INSTRUMENT PAD**
(71) Applicant: **Jaguar Land Rover Limited**, Coventry (GB)
(72) Inventor: **Lee Perry**, Coventry (GB)
(73) Assignee: **Jaguar Land Rover Limited**, Coventry (GB)
(**) Term: **15 Years**
(21) Appl. No.: **29/688,772**
(22) Filed: **Apr. 24, 2019**

(30) **Foreign Application Priority Data**

Oct. 25, 2018 (EM) 005808474

(51) **LOC (13) Cl.** **12-16**
(52) **U.S. Cl.**
USPC **D12/192**

(58) **Field of Classification Search**
USPC D12/192, 415, 114, 345; D15/17, 28; D10/46, 98, 102, 103, 122-127; D23/324
CPC ... B60R 21/045; B60R 11/0235; B60K 35/00; B60K 37/04; B60H 1/34; B60H 1/3407; B60H 1/3414; B60H 1/3421; B60H 1/3428; B60H 1/3435; B60H 1/3442; B60H 1/345; B60H 1/3457; H05K 5/0017; B62D 25/14
See application file for complete search history.

(56) **References Cited**

U.S. PATENT DOCUMENTS

6,176,534 B1 * 1/2001 Duncan B60K 37/04 296/37.12
7,201,420 B2 * 4/2007 Vican B60R 11/0235 296/37.12
D791,026 S * 7/2017 Willis D12/192

D813,769 S * 3/2018 Yaguchi D12/192
D826,122 S * 8/2018 Yamamoto D12/192
D828,259 S * 9/2018 Takagi D12/192
D830,927 S * 10/2018 Tanaka D12/192
D840,305 S * 2/2019 Chang D12/192
D847,055 S * 4/2019 De Vienne D12/192
D853,919 S * 7/2019 Hazumi D12/192
D863,167 S * 10/2019 Moir D12/192
D864,066 S * 10/2019 Ray D12/192
D864,815 S * 10/2019 Ray D12/192
D877,042 S * 3/2020 Ray D12/415
10,583,739 B2 * 3/2020 Yoshimura B62D 25/14
D881,095 S * 4/2020 Finney D12/192
2017/0282812 A1 * 10/2017 Yoshimura H05K 5/0017

* cited by examiner

Primary Examiner — Susan E Krakower

Assistant Examiner — Jerry Shiuan-Hua Hsu

(74) *Attorney, Agent, or Firm* — Wood Herron & Evans LLP

(57) **CLAIM**

The ornamental design for an instrument pad, as shown and described.

DESCRIPTION

FIG. 1 is a front left perspective view of an instrument pad according to the present invention.
FIG. 2 is a rear right perspective view thereof.
FIG. 3 is a front view thereof.
FIG. 4 is a rear view thereof.
FIG. 5 is a left side view thereof, enlarged for ease of illustration.
FIG. 6 is a right side view thereof, enlarged for ease of illustration.
FIG. 7 is a top view thereof; and,
FIG. 8 is a bottom view thereof.
The broken lines illustrate portions of the instrument pad that form no part of the claimed design.

1 Claim, 8 Drawing Sheets

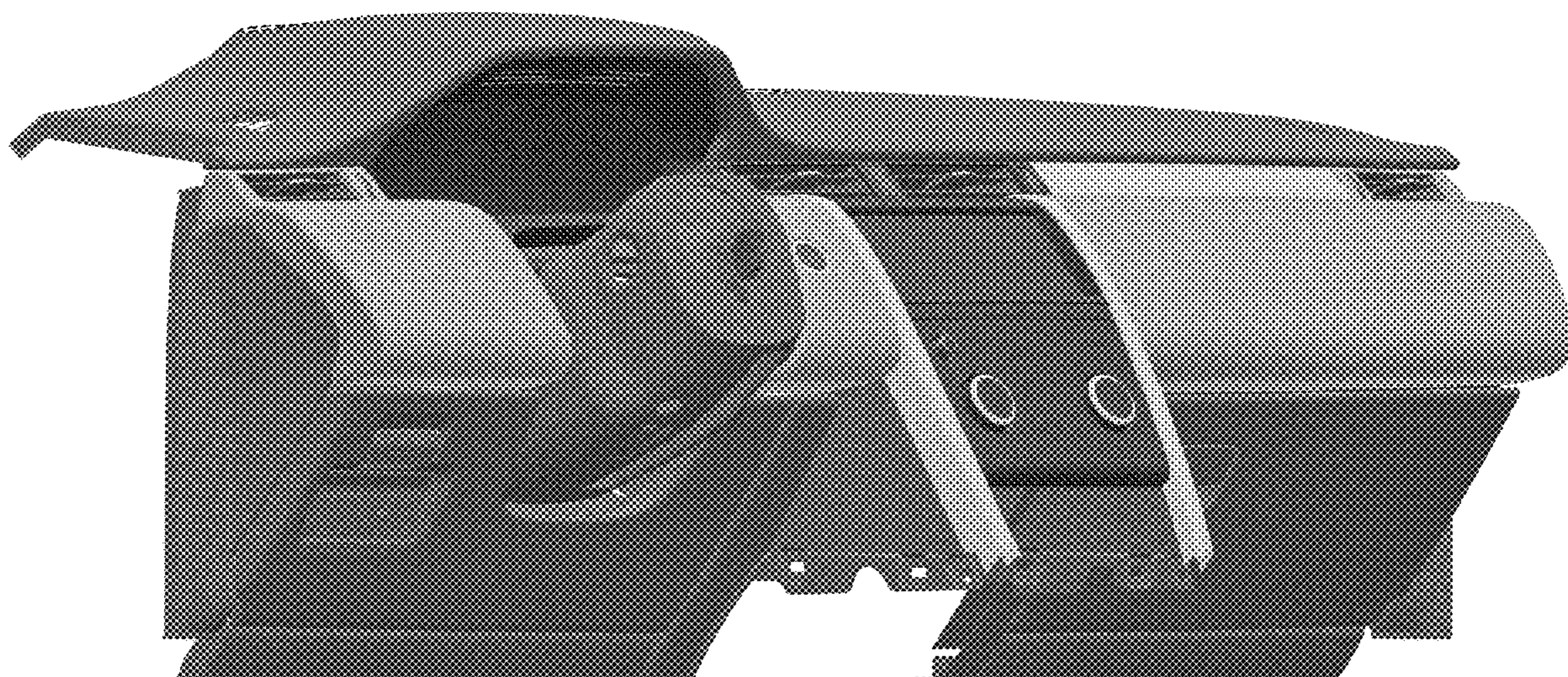




FIG. 1

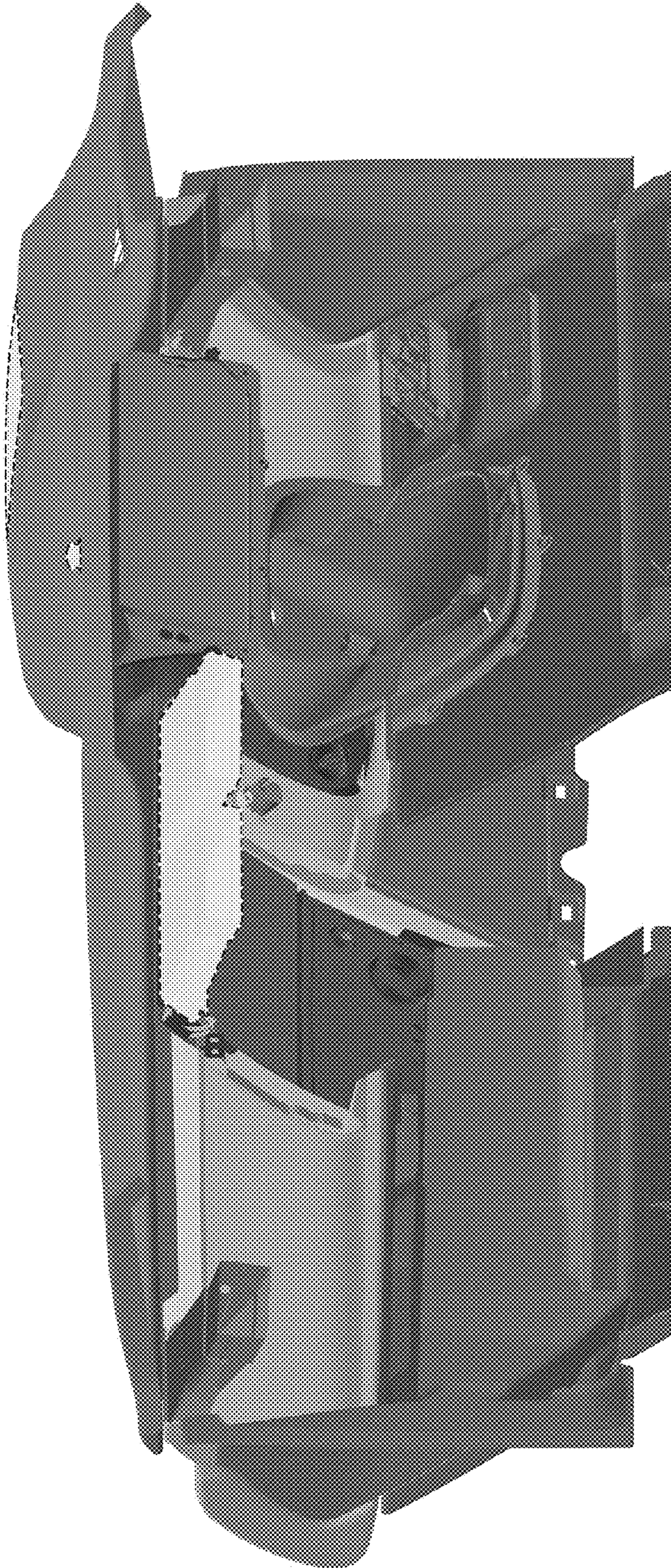


FIG. 2

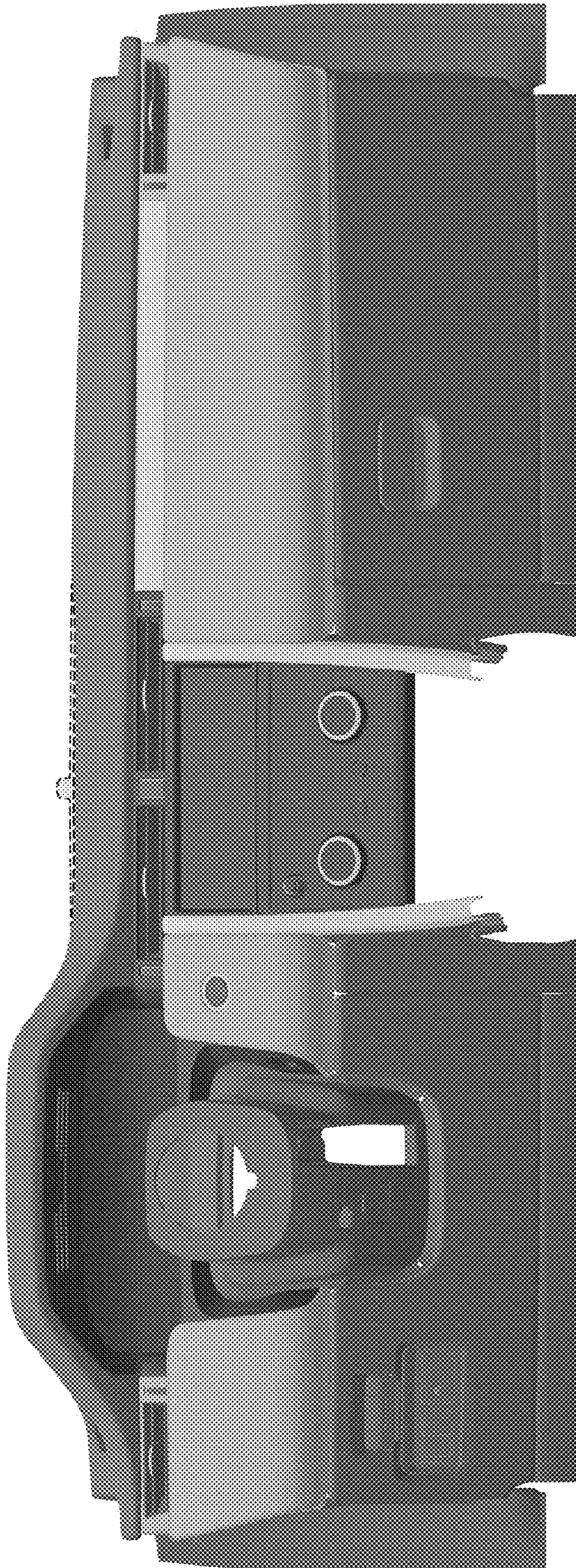


FIG. 3

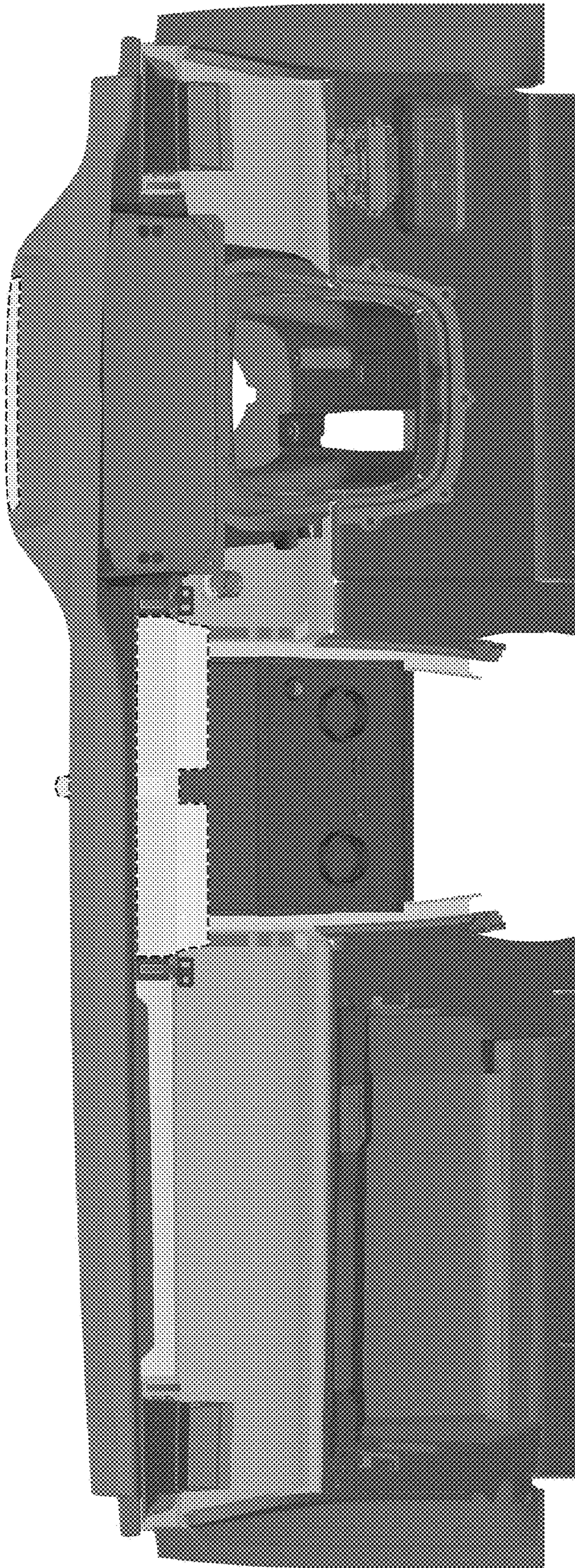


FIG. 4

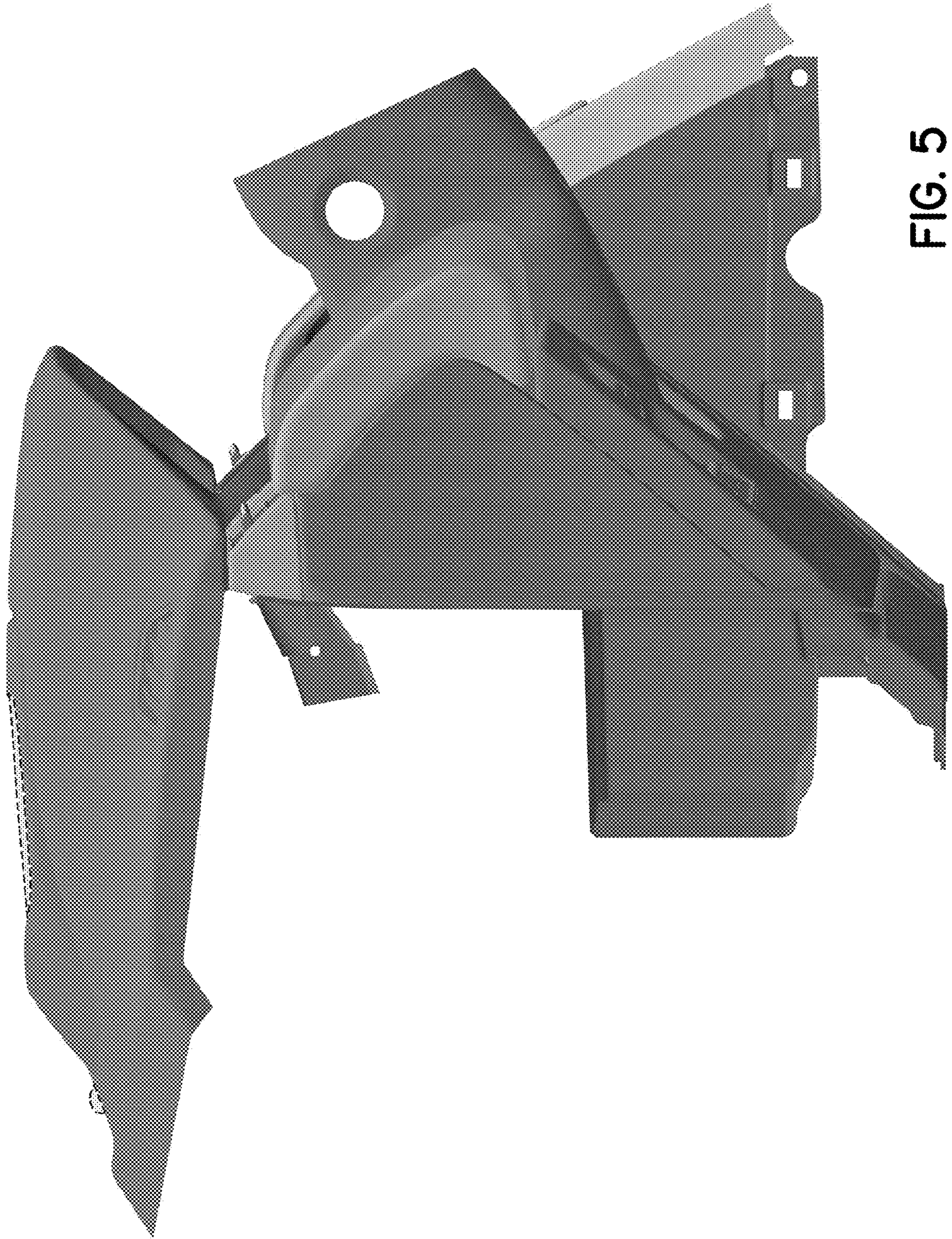


FIG. 5

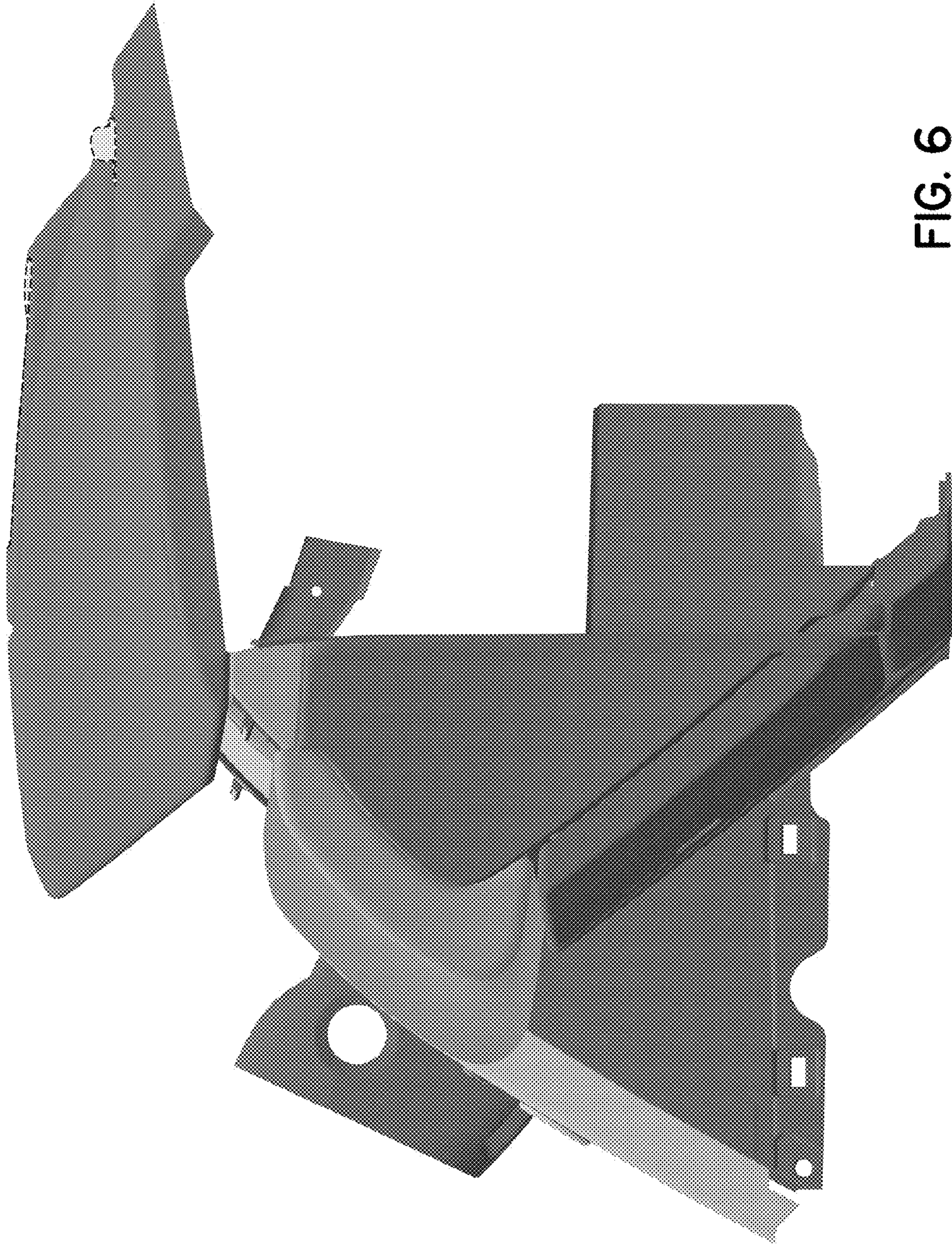


FIG. 6

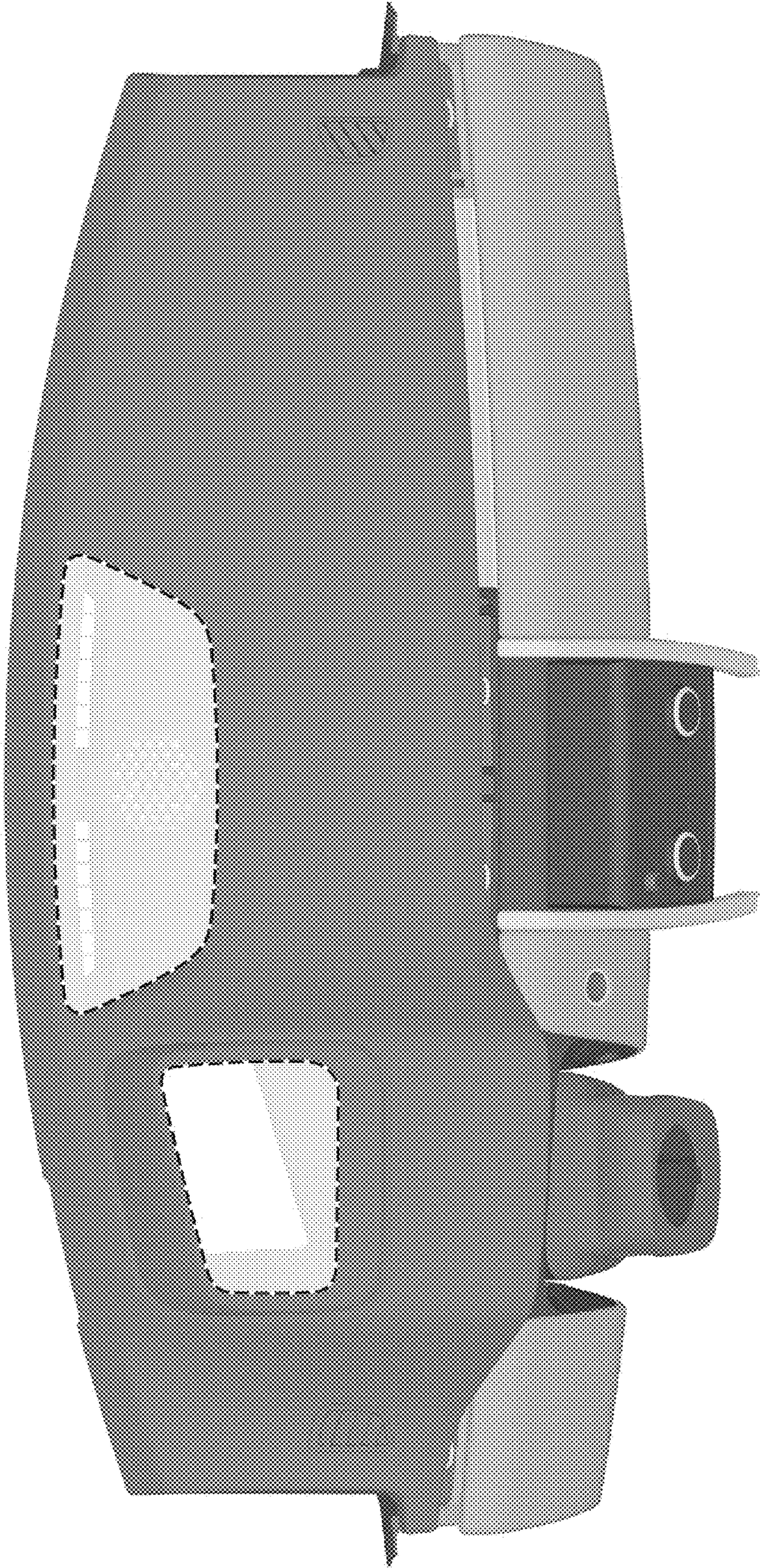


FIG. 7

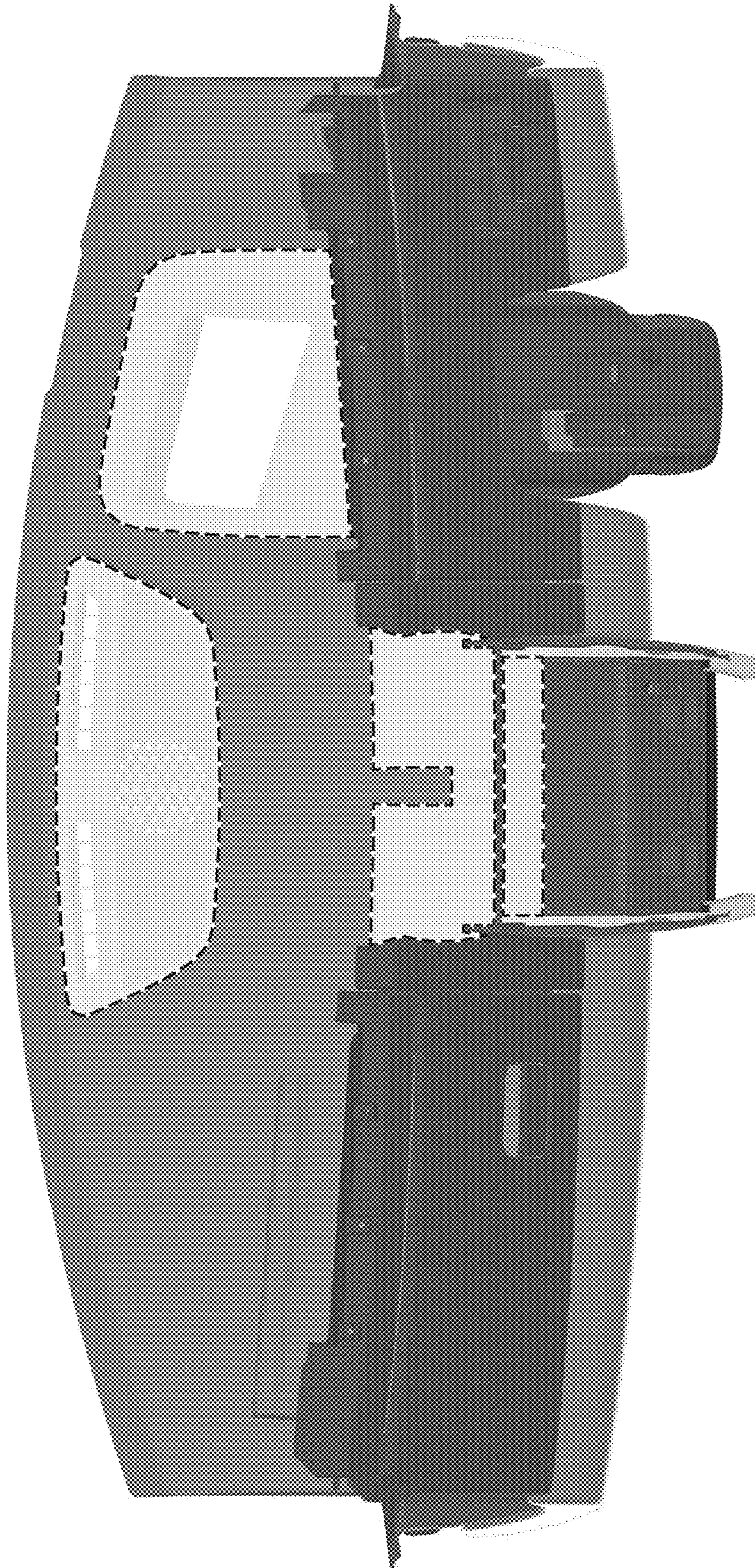


FIG. 8