



US00D909940S

(12) **United States Design Patent** (10) **Patent No.:** **US D909,940 S**
Roo-Clefas et al. (45) **Date of Patent:** **** Feb. 9, 2021**

(54) **DASHBOARD**

(71) Applicant: **Byton Limited**, Hong Kong (HK)

(72) Inventors: **Felipe Roo-Clefas**, Munich (DE);
Sebastian Toddenroth, Munich (DE);
Benoit Jacob, Munich (DE)

(**) Term: **15 Years**

(21) Appl. No.: **29/639,450**

(22) Filed: **Mar. 6, 2018**

(30) **Foreign Application Priority Data**

Sep. 6, 2017 (EM) 004244820-0007

(51) **LOC (13) Cl.** **12-16**

(52) **U.S. Cl.**
USPC **D12/192**

(58) **Field of Classification Search**
USPC D12/192, 415, 114, 345; D10/17, 28;
D15/46, 98, 102-103, 122-127; D23/324
CPC B60H 1/34; B60H 1/3407; B60H 1/3414;
B60H 1/3421; B60H 1/3428; B60H
1/3435; B60H 1/3442; B60H 1/345;
B60H 1/3457; B60H 2001/3464; B60H
2001/3471; B60H 2001/3478; B60H
2001/3485

See application file for complete search history.

(56) **References Cited**

U.S. PATENT DOCUMENTS

D210,770 S 4/1968 Geiger et al.
D480,671 S 10/2003 Pfeiffer et al.
D622,195 S 8/2010 Lester
D625,233 S 10/2010 Mizuhata et al.
D658,554 S 5/2012 Tasaki et al.
D696,994 S 1/2014 Tanaka et al.
D696,997 S 1/2014 Higashikawa
D697,862 S 1/2014 Nemeth et al.
D705,142 S 5/2014 Yamamoto et al.
D705,144 S 5/2014 Ishikawa et al.

D705,145 S 5/2014 Mangan et al.
D727,231 S 4/2015 Narita et al.
D727,816 S 4/2015 Takagi et al.
D731,937 S 6/2015 Masakawa et al.
D744,920 S 12/2015 Weng et al.
D771,541 S 11/2016 Shouno et al.
D775,563 S 1/2017 Shan
D778,796 S 2/2017 Gommier et al.
D786,758 S 5/2017 Chang et al.
D788,666 S 6/2017 Yamamoto et al.

(Continued)

FOREIGN PATENT DOCUMENTS

DE 10145629 A1 4/2003
FR 2506690 A1 12/1982

OTHER PUBLICATIONS

The Notice of Allowance for U.S. Appl. No. 29/675,739 dated Jul. 8, 2020, 7 pages.

(Continued)

Primary Examiner — Katrina A Betton
(74) *Attorney, Agent, or Firm* — Womble Bond Dickinson (US) LLP

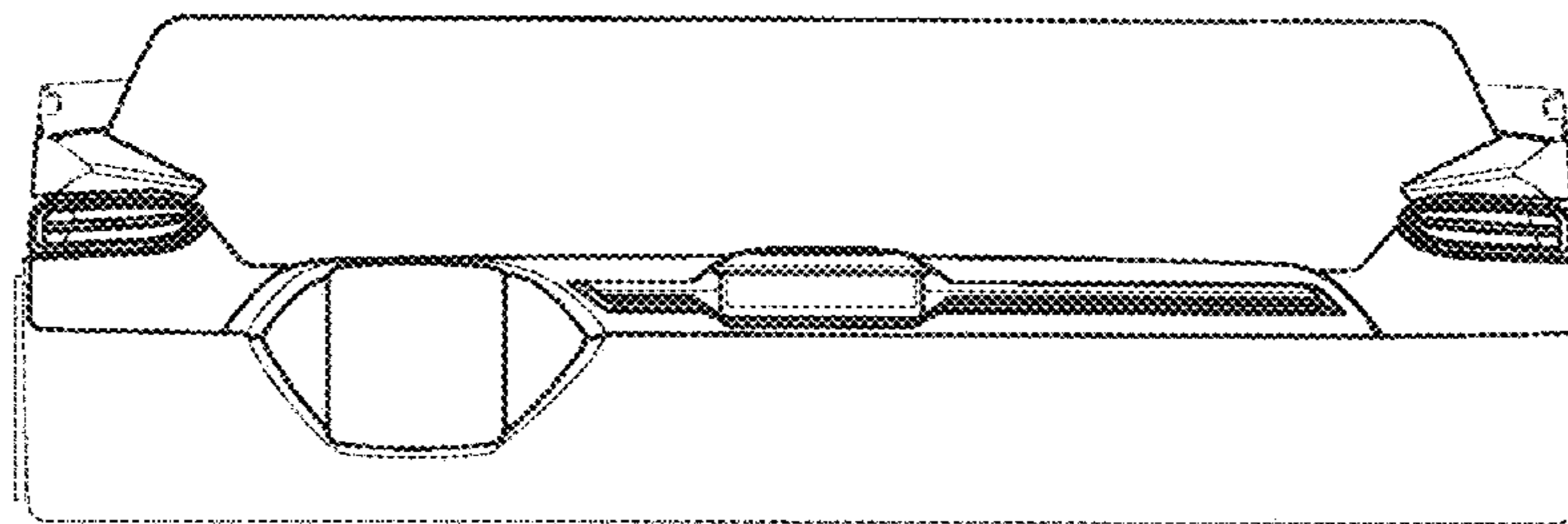
(57) **CLAIM**

The ornamental design for a dashboard, as shown and described.

DESCRIPTION

FIG. 1 is a front view of a dashboard showing the new design;
FIG. 2 is a left-side view thereof;
FIG. 3 is a right-side view thereof;
FIG. 4 is a top view thereof; and,
FIG. 5 is a perspective view thereof.
The broken lines show environmental structure and portions of the article, and the broken lines form no part of the claimed design.

1 Claim, 5 Drawing Sheets



(56)

References Cited

U.S. PATENT DOCUMENTS

D791,664 S 7/2017 Igarashi
 D793,314 S 8/2017 Yoon et al.
 D795,145 S 8/2017 Miyashita et al.
 D795,146 S 8/2017 Ogawa et al.
 D801,245 S 10/2017 Giolito
 D808,874 S 1/2018 Gao
 D809,443 S 2/2018 Walker et al.
 D809,967 S 2/2018 Lampkin et al.
 D810,643 S 2/2018 Takamura et al.
 D812,536 S 3/2018 Matsuda et al.
 D813,127 S * 3/2018 Yamamoto D12/192
 D813,769 S * 3/2018 Yaguchi D12/192
 D817,832 S * 5/2018 Maezono D12/192
 D819,533 S * 6/2018 Choi D12/192
 D823,206 S 7/2018 Watanabe
 D824,306 S * 7/2018 Joyce D12/192
 D825,420 S * 8/2018 Boyes D12/192
 D826,122 S * 8/2018 Yamamoto D12/192
 D826,813 S * 8/2018 Carr D12/192
 D826,814 S 8/2018 Von Holzhausen et al.
 D828,259 S * 9/2018 Takagi D12/192
 D828,260 S * 9/2018 Takagi D12/192
 D830,927 S * 10/2018 Tanaka D12/192

D832,754 S 11/2018 Ryu et al.
 D836,510 S 12/2018 Nakai
 D840,305 S 2/2019 Chang et al.
 D843,288 S 3/2019 Fontaeus et al.
 D863,167 S 10/2019 Moir et al.
 D864,066 S 10/2019 Ray
 D864,817 S 10/2019 Donfrancesco et al.
 D874,371 S 2/2020 Buffery
 D877,012 S 3/2020 Ali et al.

OTHER PUBLICATIONS

The Notice of Allowance for U.S. Appl. No. 29/675,739 dated Mar. 24, 2020, 8 pages.
 The Notice of Allowance for U.S. Appl. No. 29/639,449 dated Jan. 17, 2020, 7 pages.
 The Notice of Allowance for U.S. Appl. No. 29/639,449 dated Sep. 18, 2019, 8 pages.
 The Notice of Allowance for U.S. Appl. No. 29/639,444 dated Jan. 9, 2019, 6 pages.
 The Tesla Model 3 has the most minimalistic interior I've ever seen, BusinessInsider.com, Matthew DeBord, Jul. 29, 2017, 12:14AM, [online], [site visited Feb. 20, 2019], <URL: <https://www.businessinsider.com/tesla-model-3-minimalistic-interior-2017-7>> (Year: 2017).

* cited by examiner

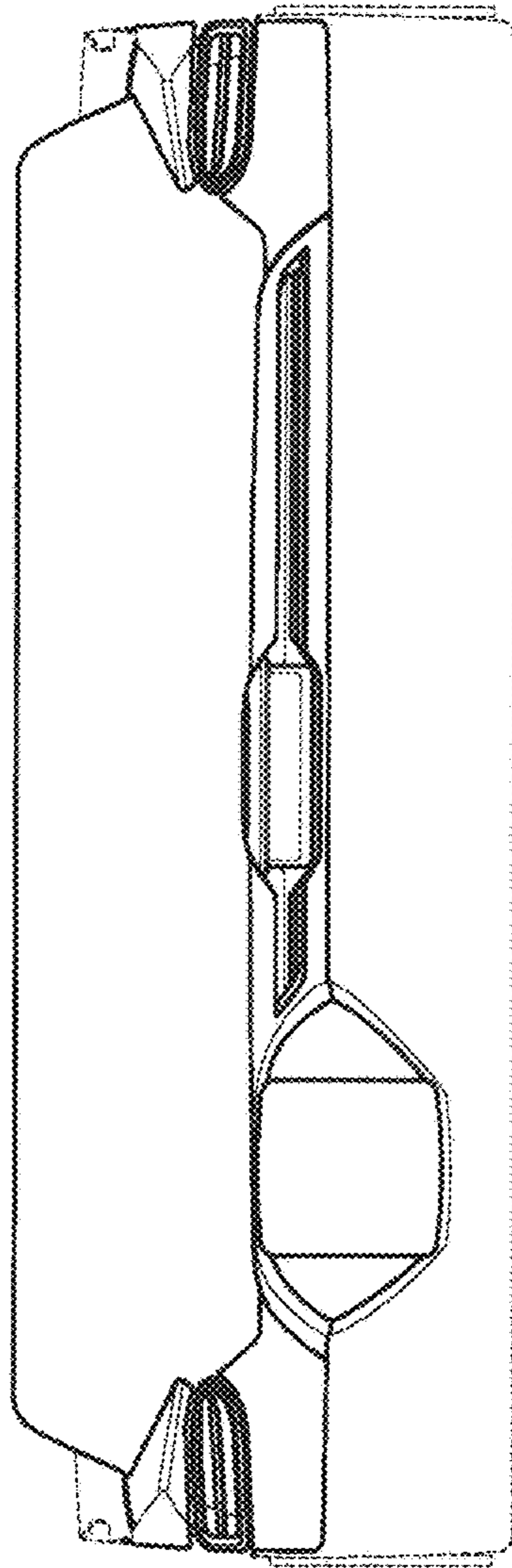


FIG. 1

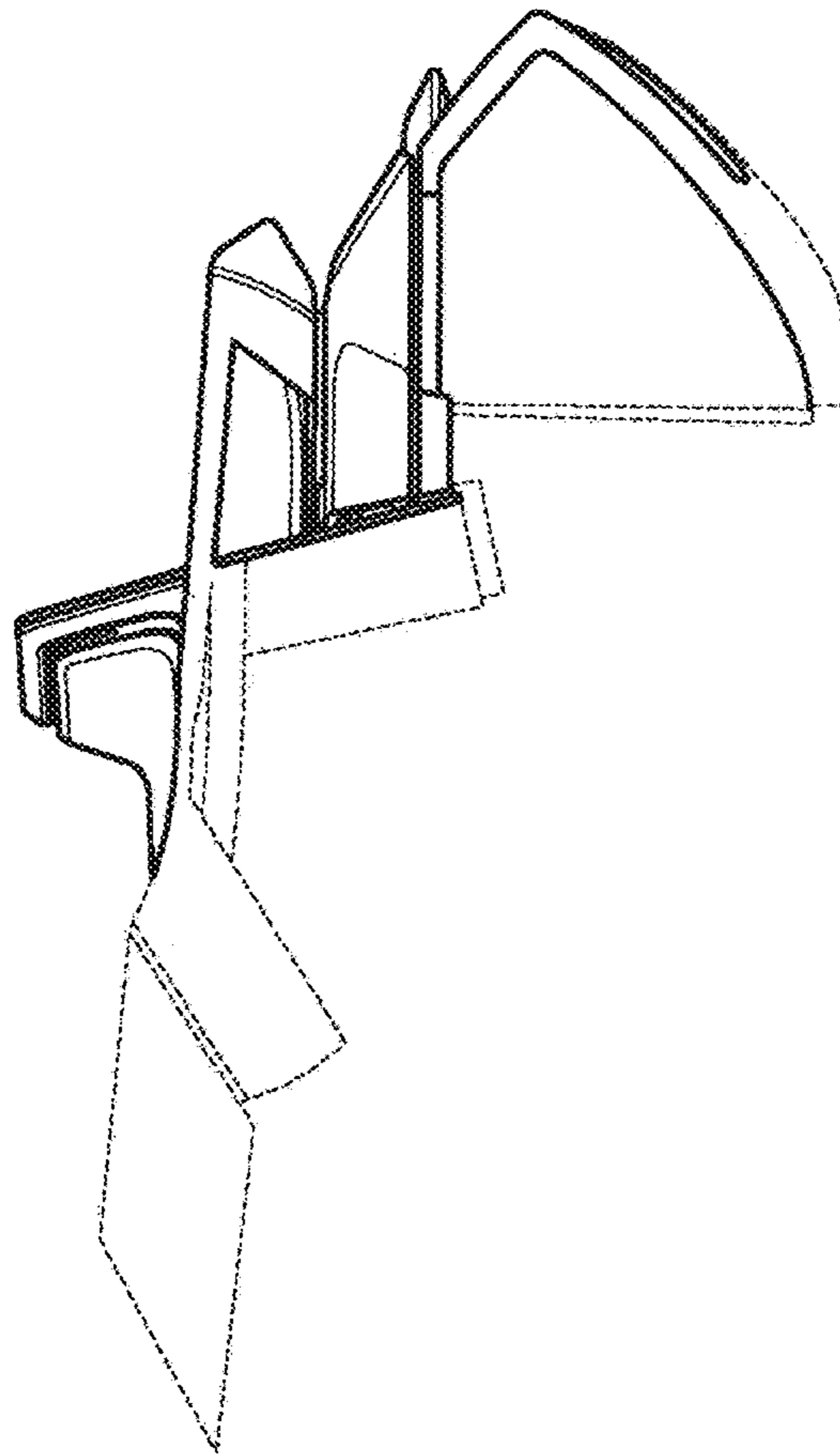


FIG. 2

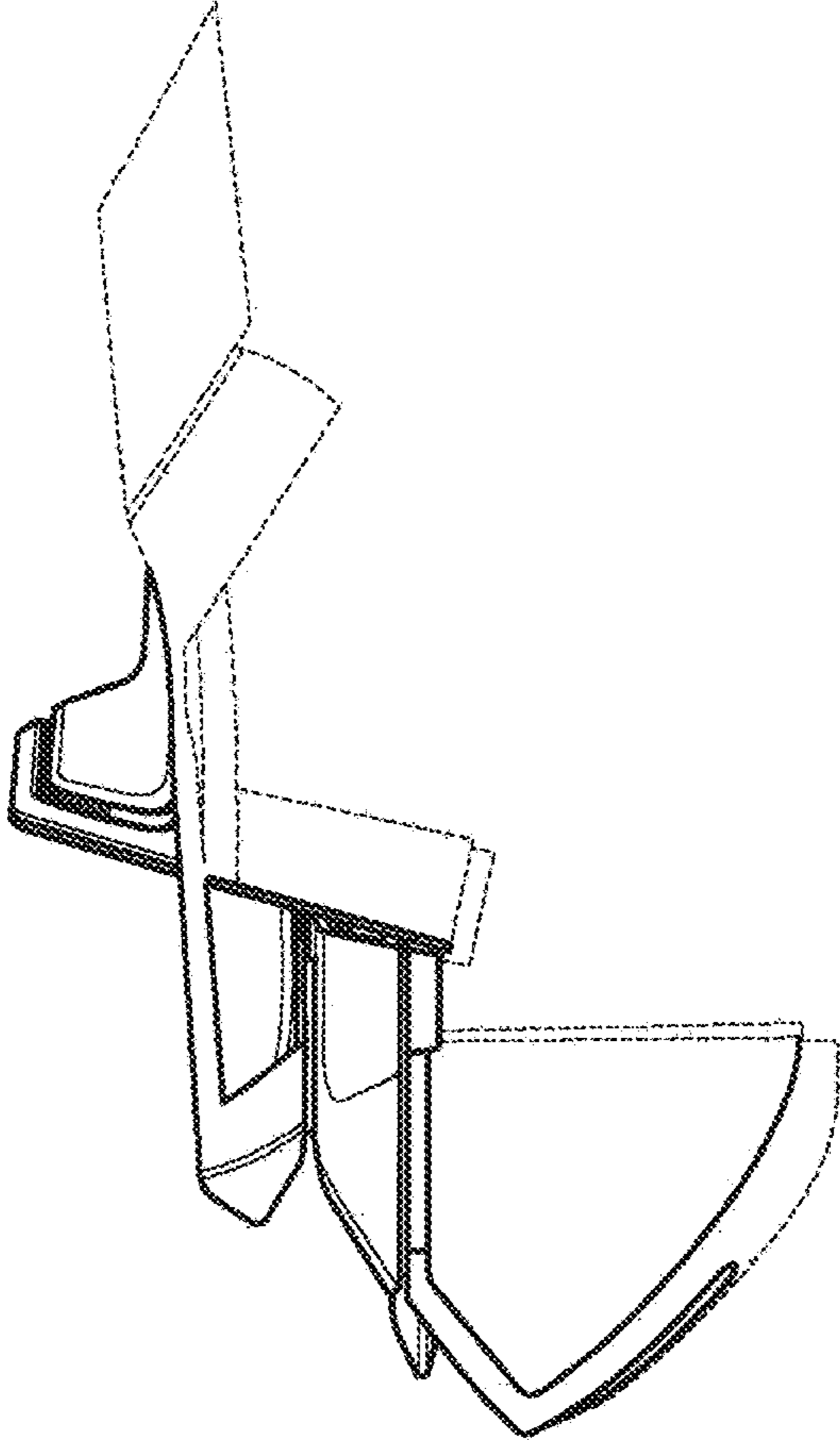


FIG. 3

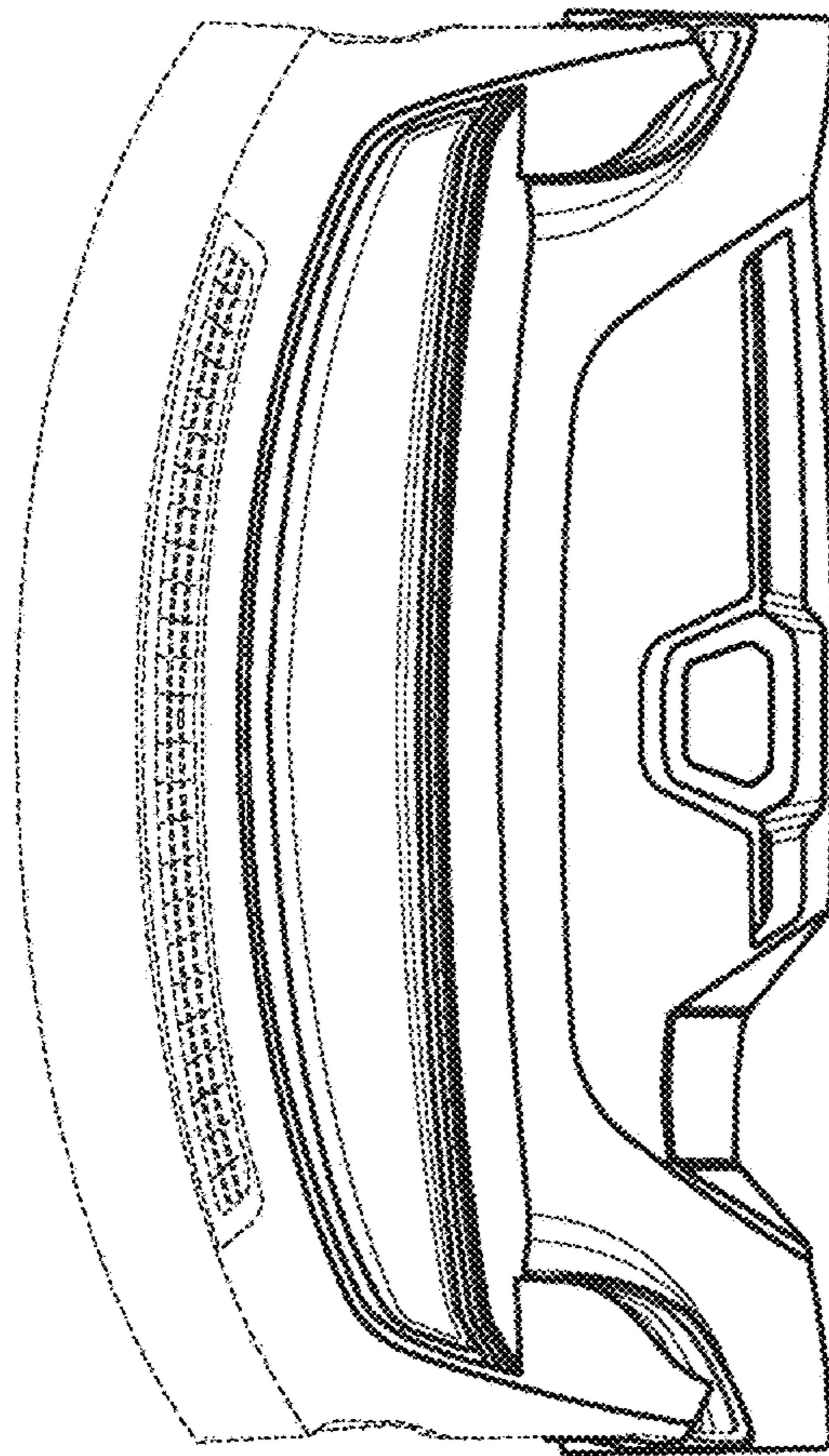


FIG. 4

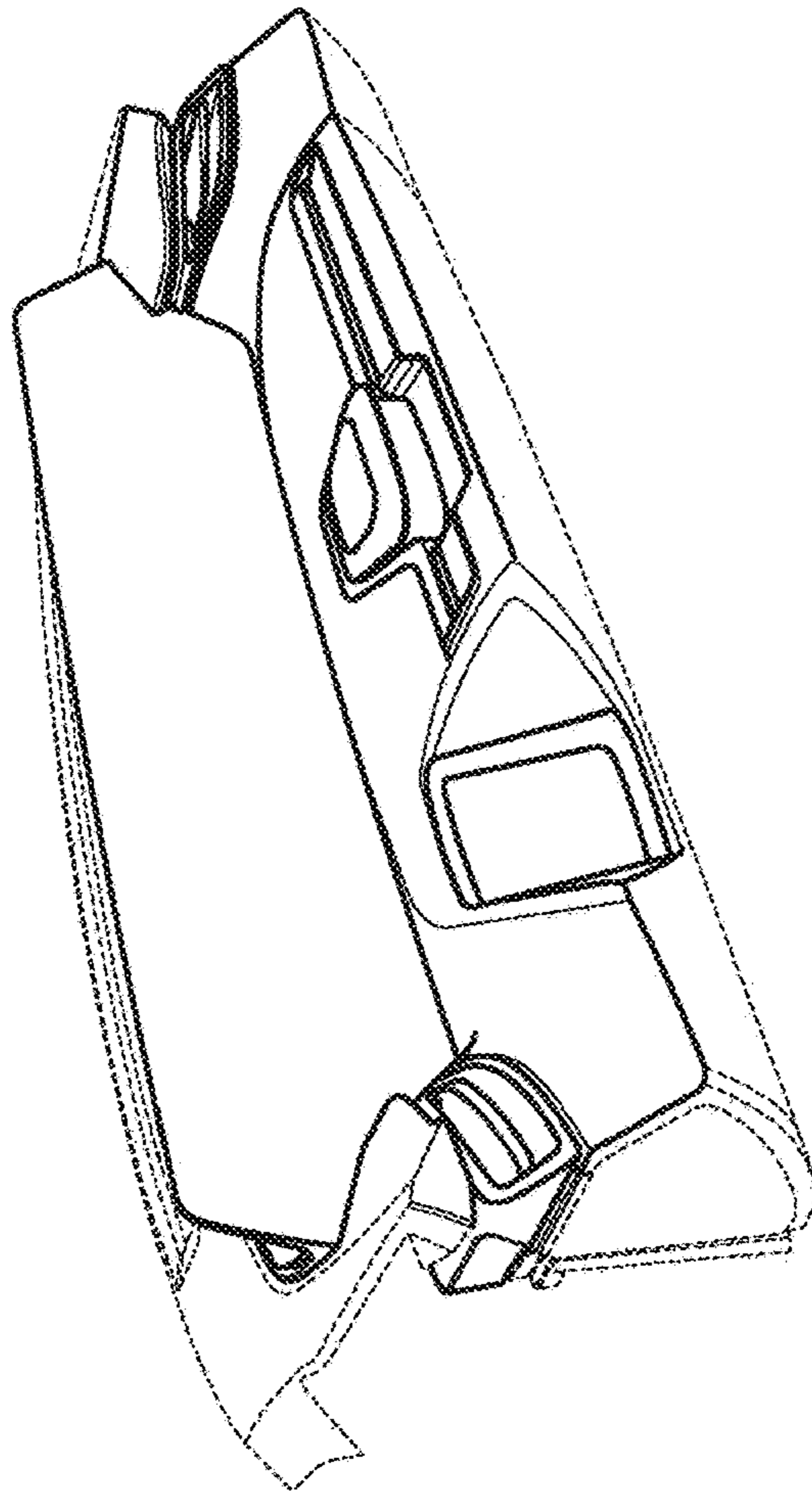


FIG. 5