



US00D909938S

(12) **United States Design Patent** (10) **Patent No.:** **US D909,938 S**
Ninov et al. (45) **Date of Patent:** **** Feb. 9, 2021**

- (54) **AIR INLET BEZEL**
- (71) Applicants: **Deyan Ninov**, Royal Oak, MI (US);
Michael Gillam, Oxford, MI (US);
Gregory A Howell, Farmington, MI (US)
- (72) Inventors: **Deyan Ninov**, Royal Oak, MI (US);
Michael Gillam, Oxford, MI (US);
Gregory A Howell, Farmington, MI (US)
- (73) Assignee: **FCA US LLC**, Auburn Hills, MI (US)
- (**) Term: **15 Years**

5,564,750 A *	10/1996	Bajorek	B62D 25/188 280/848
D568,797 S *	5/2008	Elwell	D12/181
D672,705 S *	12/2012	Kennedy	D12/412
D746,725 S *	1/2016	Stopka	D12/163
D754,044 S *	4/2016	Scheinhuette	D12/196
D756,273 S *	5/2016	Platto	D12/163
D758,257 S *	6/2016	Platto	D12/163
D805,975 S *	12/2017	Dharmawan	D12/181
D820,176 S *	6/2018	Hamburger	D12/173
D823,185 S *	7/2018	Yates	D12/163
D830,258 S *	10/2018	Moffett	D12/181
D836,507 S *	12/2018	Nguyen	D12/190
D840,889 S *	2/2019	Torres	D12/196
D850,339 S *	6/2019	Lu	D12/181
D868,652 S *	12/2019	Gifford	D12/173
D887,329 S *	6/2020	Zipfel	D12/173

* cited by examiner

- (21) Appl. No.: **29/673,416**
- (22) Filed: **Dec. 14, 2018**

Related U.S. Application Data

- (63) Continuation-in-part of application No. 29/626,566, filed on Nov. 17, 2017, now Pat. No. Des. 836,036.
- (51) **LOC (13) Cl.** **12-16**
- (52) **U.S. Cl.**
USPC **D12/181**
- (58) **Field of Classification Search**
USPC D12/86, 163, 164, 169, 173, 175, 177,
D12/184, 196, 90, 92, 181, 216, 388, 190,
D12/191, 400, 170, 171, 412, 317
CPC B62D 25/188; B62D 25/08; B62D 25/105;
B62D 25/12; B60R 19/52; B60R 21/34
See application file for complete search history.

(56) **References Cited**

U.S. PATENT DOCUMENTS

- D290,746 S * 7/1987 Whitley, II D12/317
D375,068 S * 10/1996 Lund D12/183

Primary Examiner — Susan E Krakower
Assistant Examiner — Jerry Shiuian-Hua Hsu
(74) *Attorney, Agent, or Firm* — Ralph E. Smith

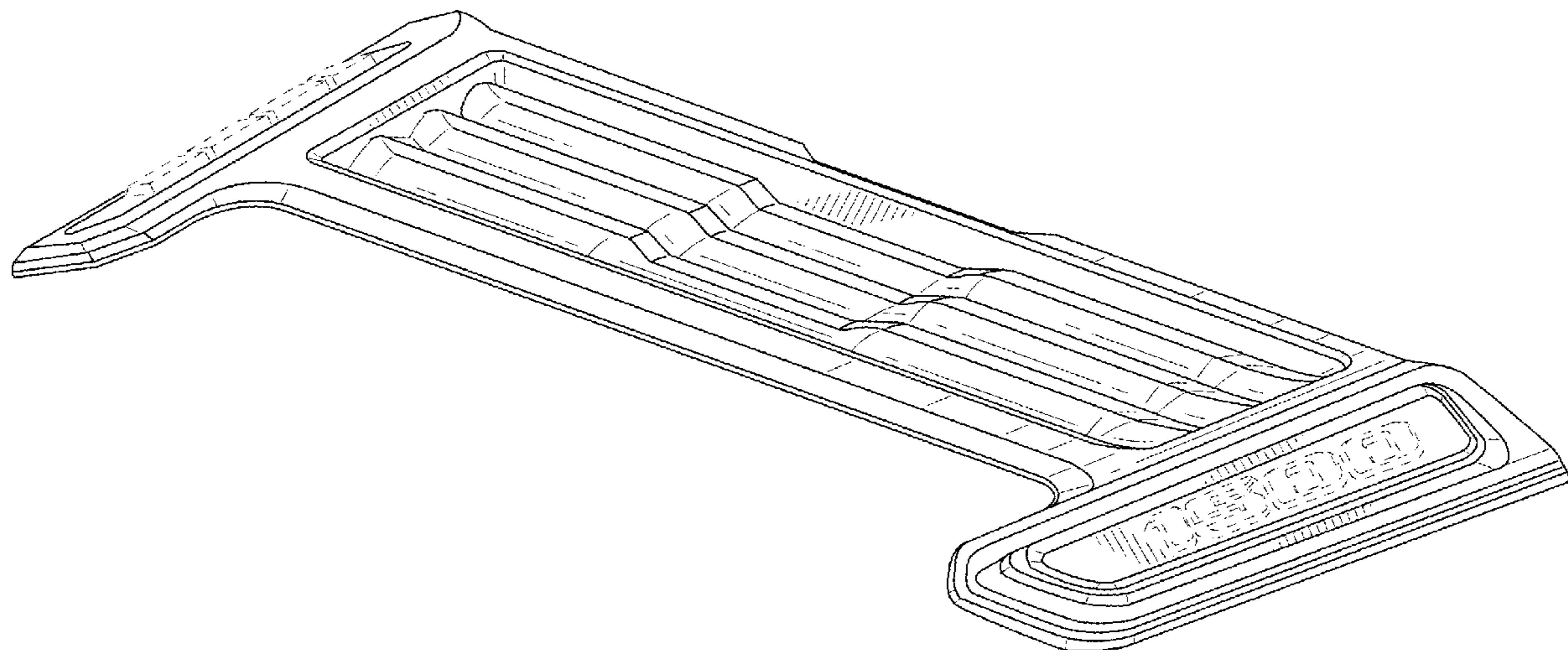
(57) **CLAIM**

The ornamental design for an air inlet bezel, as shown and described.

DESCRIPTION

FIG. 1 is a front perspective view of an air inlet bezel showing our new design;
FIG. 2 is a front view thereof;
FIG. 3 is a rear view thereof;
FIG. 4 is a top view thereof;
FIG. 5 is a bottom view thereof;
FIG. 6 is a left side view thereof; and,
FIG. 7 is a right side view thereof.
The broken lines illustrate portions of the air inlet bezel that form no part of the claimed design.

1 Claim, 5 Drawing Sheets



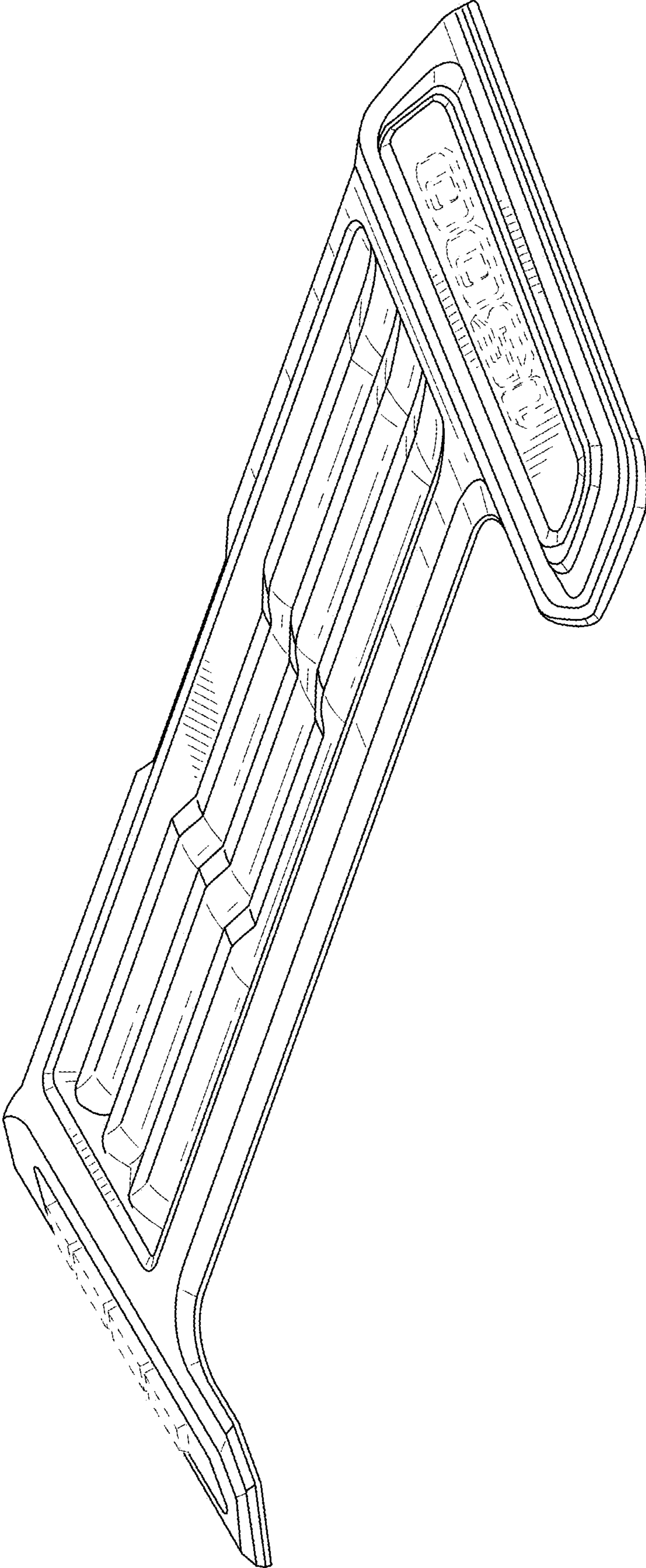


FIG. 1



FIG. 2

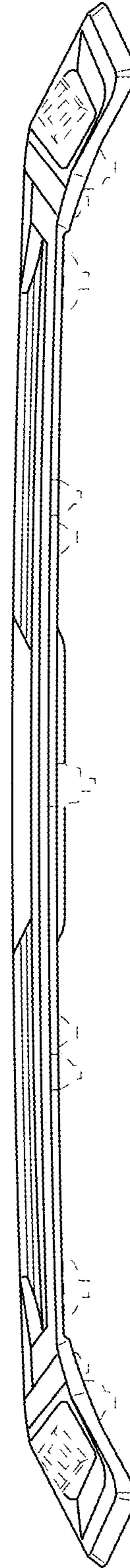


FIG. 3

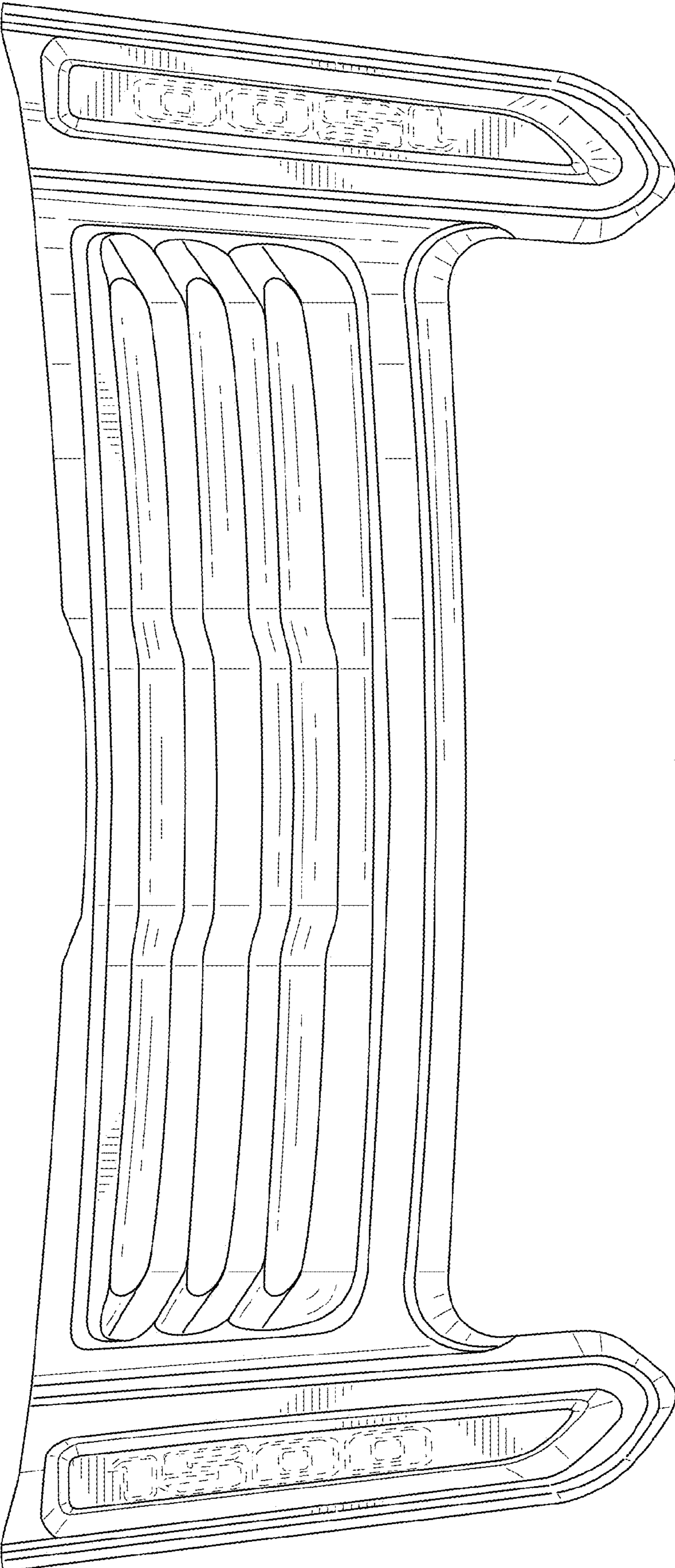


FIG. 4

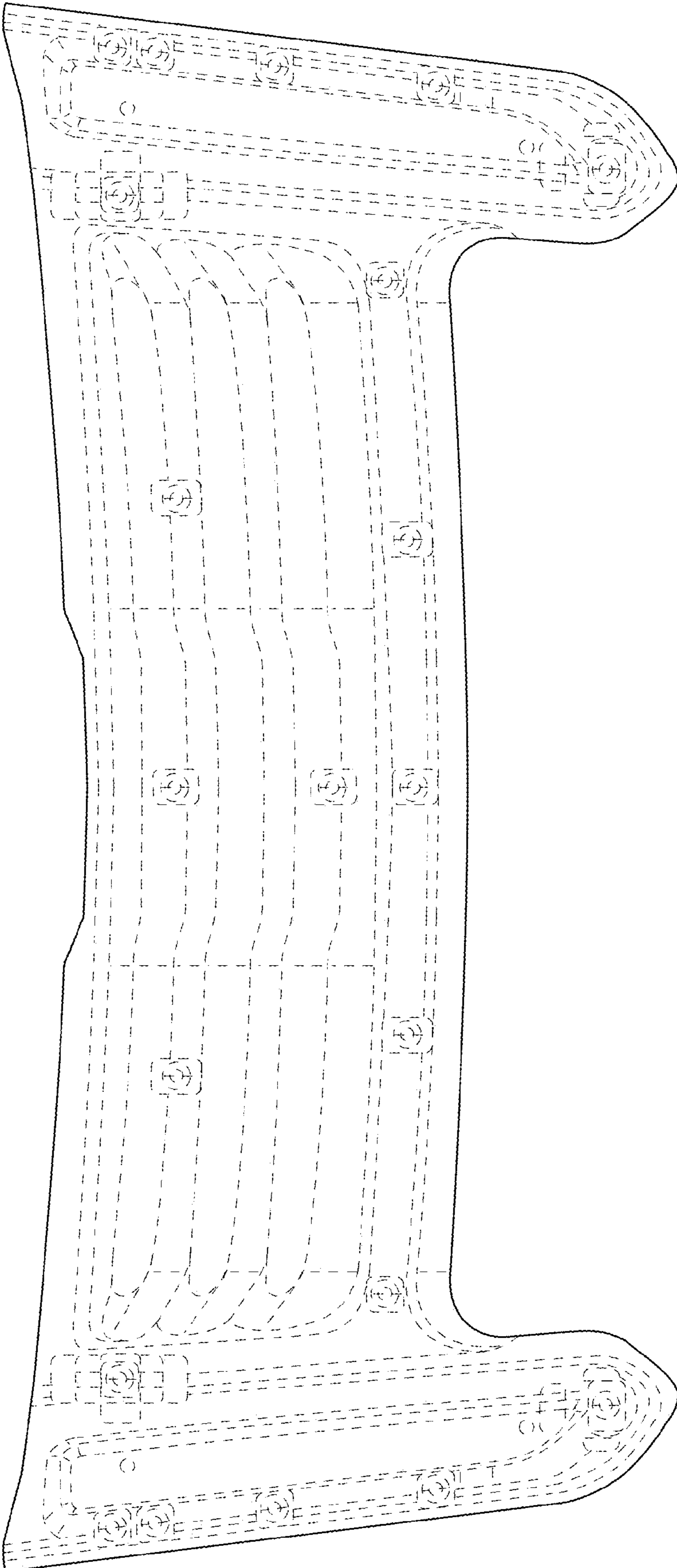


FIG. 5

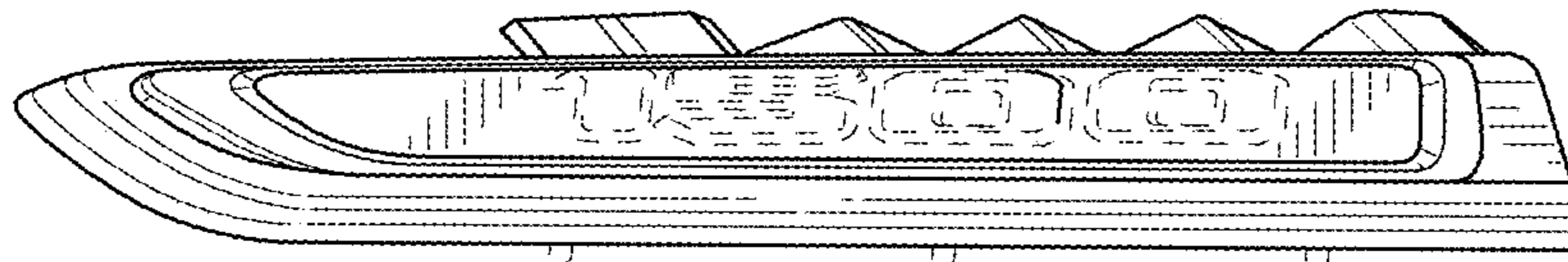


FIG. 6

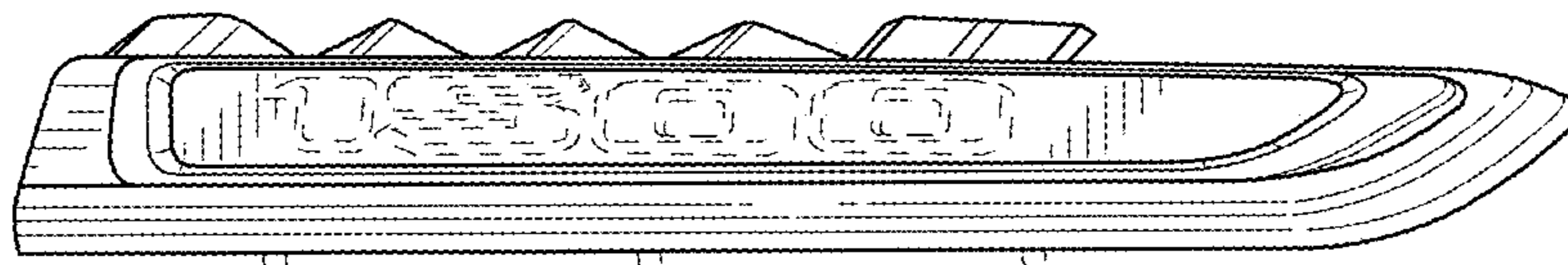


FIG. 7