



US00D909936S

(12) **United States Design Patent**
Nakaura

(10) **Patent No.:** **US D909,936 S**

(45) **Date of Patent:** **** Feb. 9, 2021**

(54) **STEERING WHEEL FOR AN AUTOMOBILE**

(71) Applicant: **HONDA MOTOR CO., LTD.**, Tokyo (JP)

(72) Inventor: **So Nakaura**, Wako (JP)

(73) Assignee: **HONDA MOTOR CO., LTD.**, Tokyo (JP)

(**) Term: **15 Years**

(21) Appl. No.: **29/690,912**

(22) Filed: **May 13, 2019**

(30) **Foreign Application Priority Data**

Nov. 15, 2018 (JP) 2018-024931

(51) **LOC (13) Cl.** **12-16**

(52) **U.S. Cl.**
USPC **D12/176**

(58) **Field of Classification Search**
USPC D12/175, 176; 74/552, 558, 558.5
CPC B60R 21/203; B60R 21/05; B62D 1/04
See application file for complete search history.

(56) **References Cited**

U.S. PATENT DOCUMENTS

D516,477 S * 3/2006 Tomasson D12/176
D565,485 S * 4/2008 Schafmeister D12/176
D735,099 S * 7/2015 Ritchie D12/176

D766,147 S * 9/2016 Ritchie D12/176
D786,154 S * 5/2017 Castaman D12/176
D801,894 S * 11/2017 Kasano D12/176
D814,998 S * 4/2018 Lokers D12/176
D814,999 S * 4/2018 Lokers D12/176
D816,567 S * 5/2018 Yoo D12/176
D853,911 S * 7/2019 Miyamoto D12/176
D875,001 S * 2/2020 Moir D12/176

* cited by examiner

Primary Examiner — Melody N Brown

(74) *Attorney, Agent, or Firm* — Westerman, Hattori, Daniels & Adrian, LLP

(57) **CLAIM**

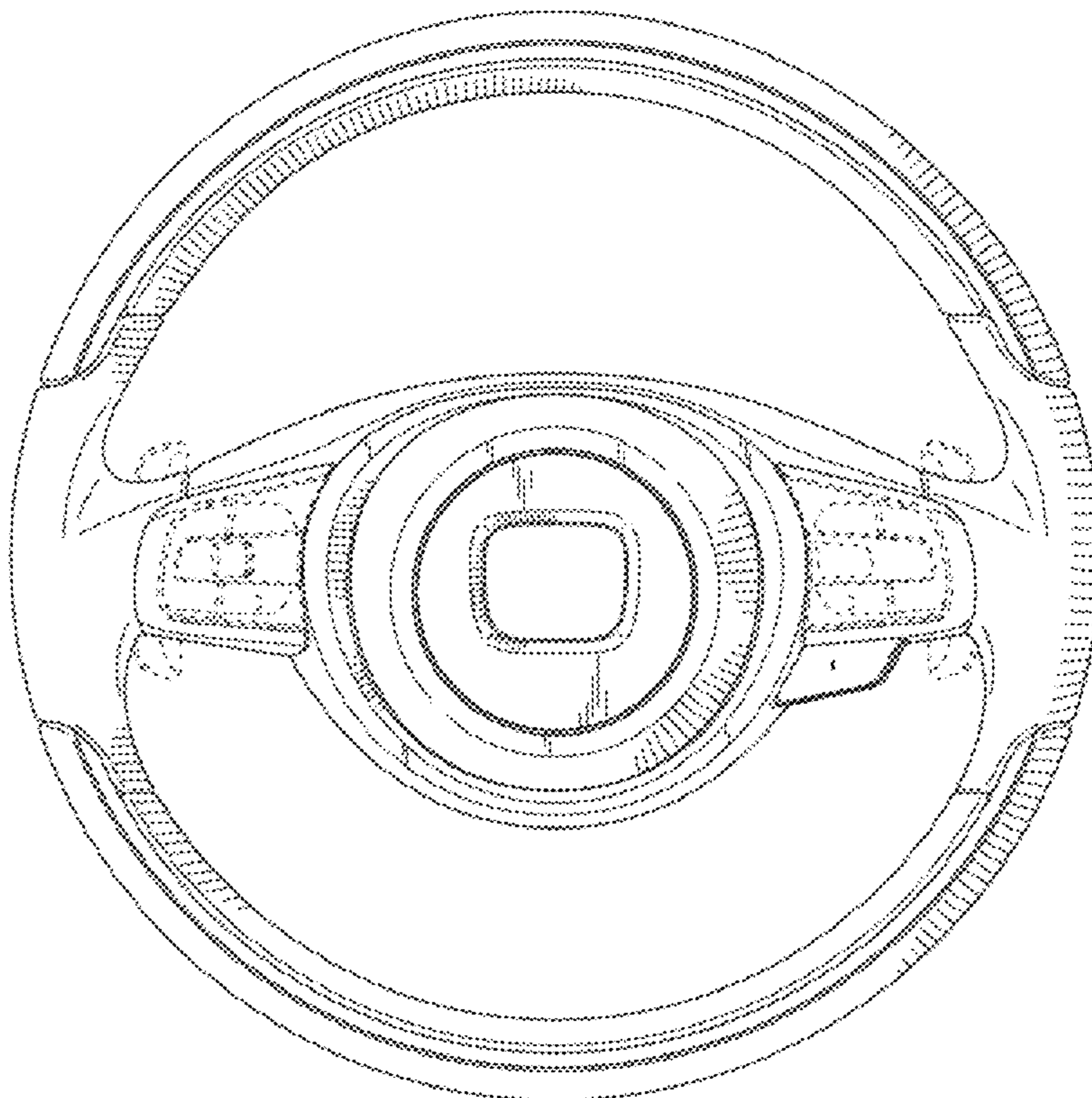
The ornamental design for a steering wheel for an automobile, as shown and described.

DESCRIPTION

FIG. 1 is a front and right side perspective view of a steering wheel for an automobile showing my new design;
FIG. 2 is a rear and left side perspective view thereof;
FIG. 3 is a front elevational view thereof;
FIG. 4 is a left side elevational view thereof;
FIG. 5 is a right side elevational view thereof;
FIG. 6 is a top plan view thereof; and,
FIG. 7 is a bottom plan view thereof.

The broken lines shown in the drawings illustrate portions of the steering wheel for an automobile that are environmental structures and form no part of the claimed design.

1 Claim, 7 Drawing Sheets



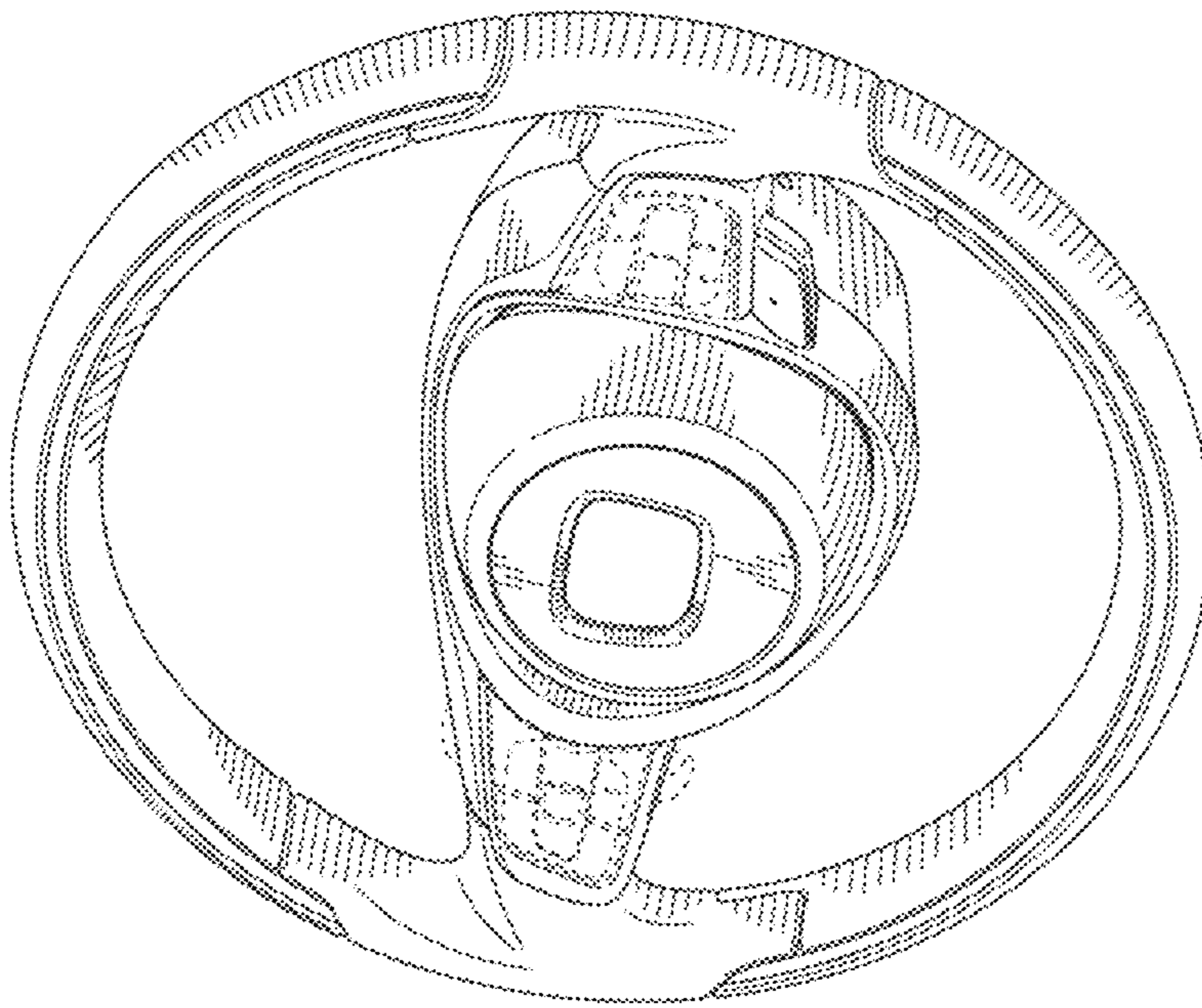


FIG. 1

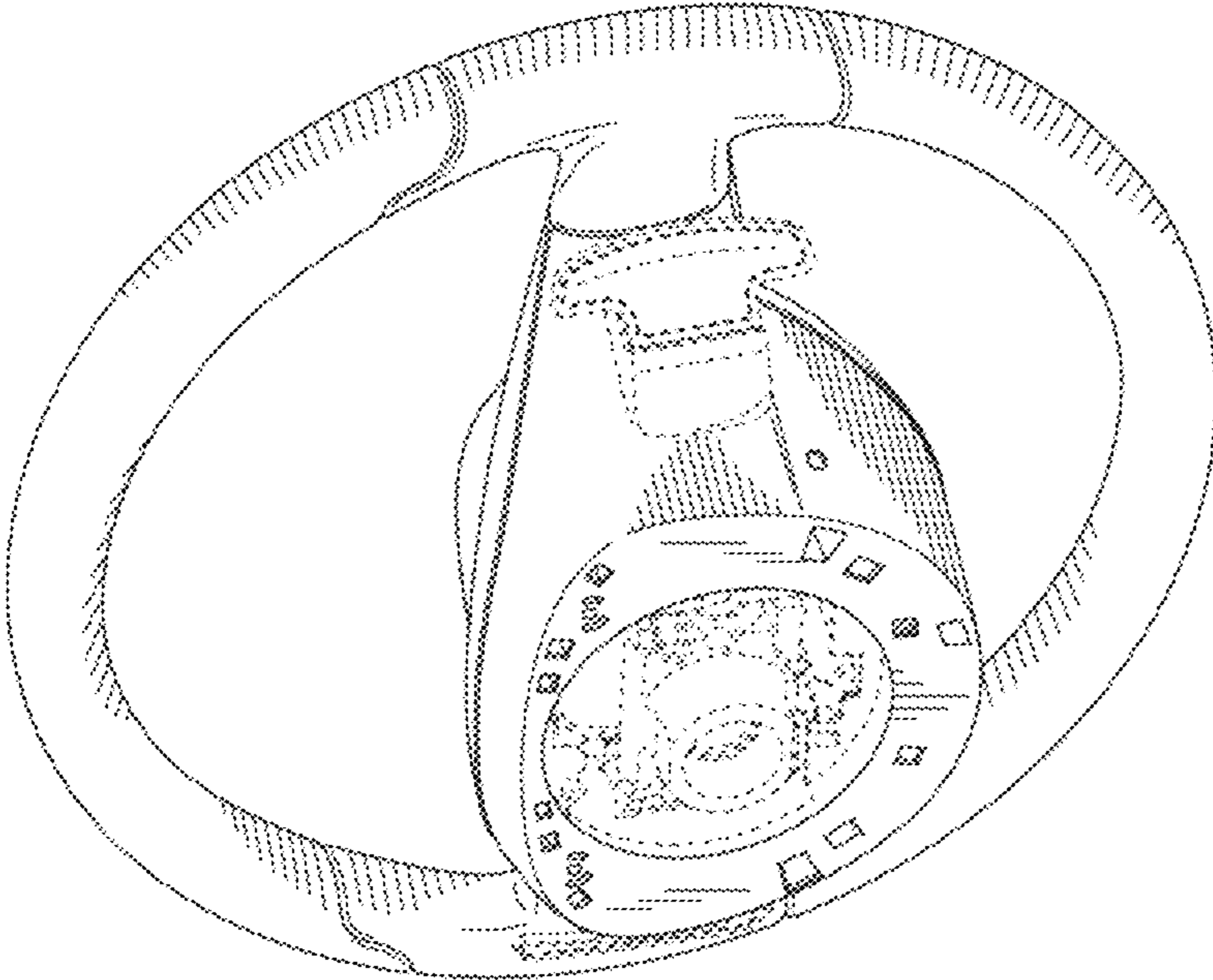


FIG. 2

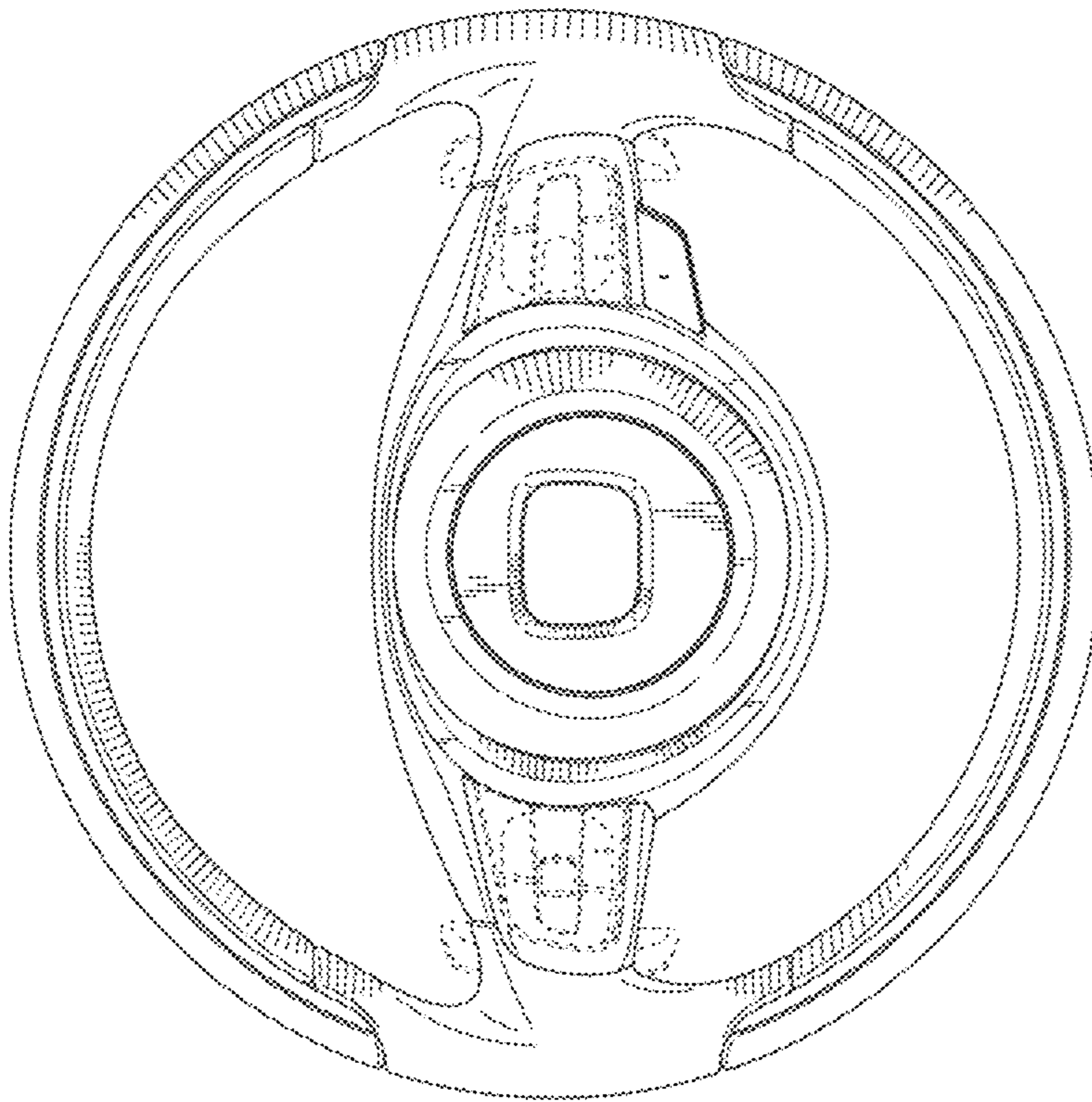


FIG. 3

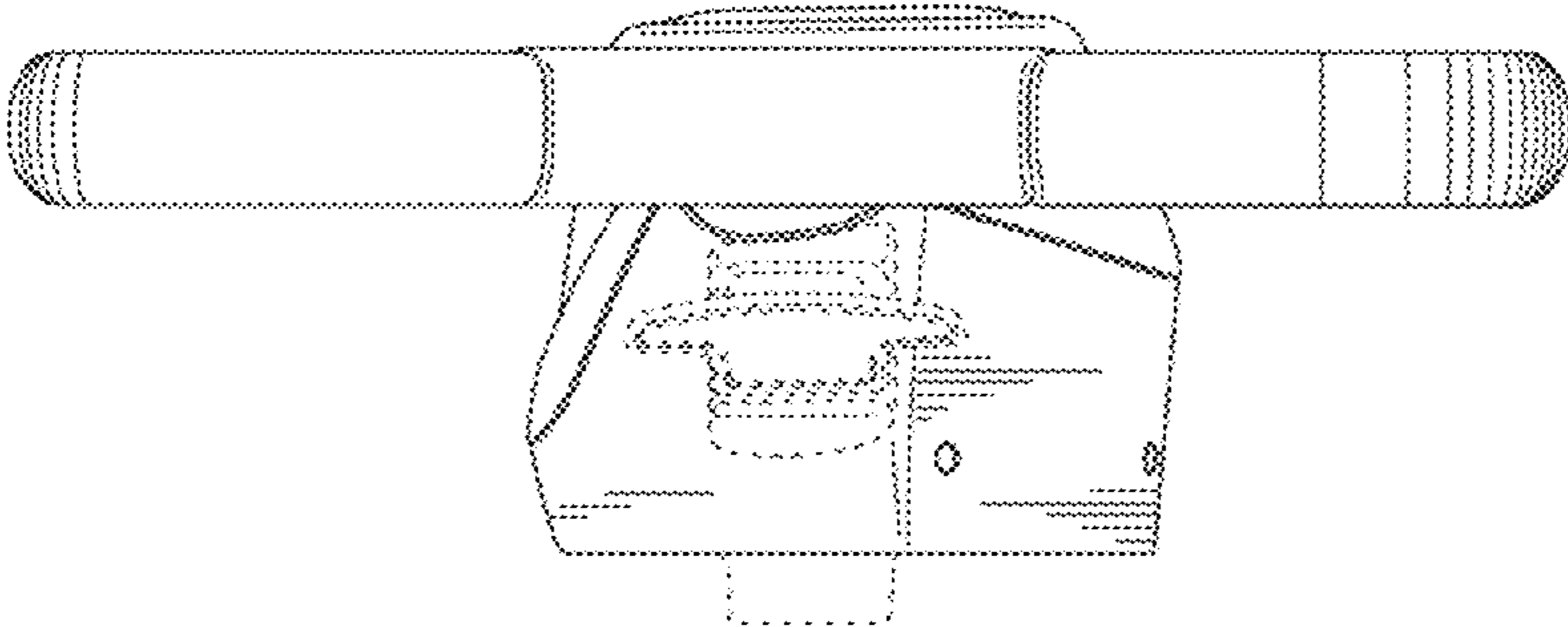


FIG. 4

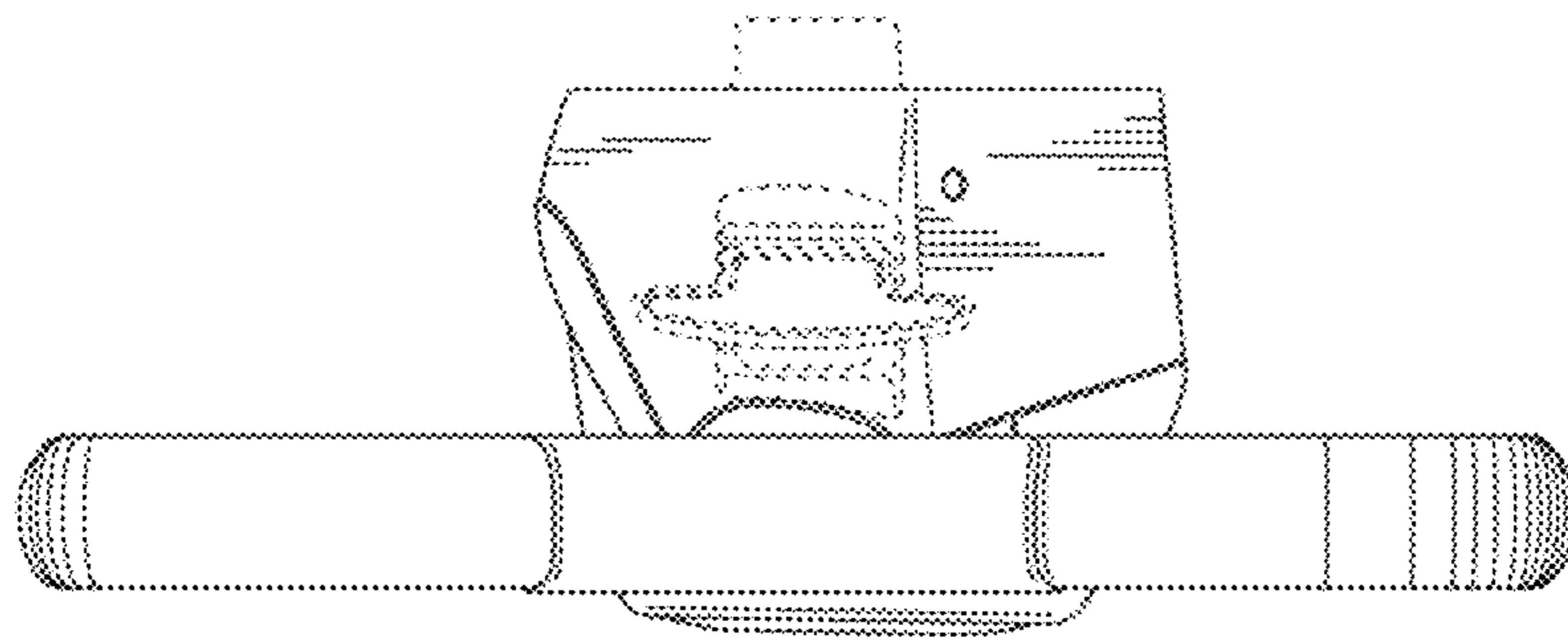


FIG. 5

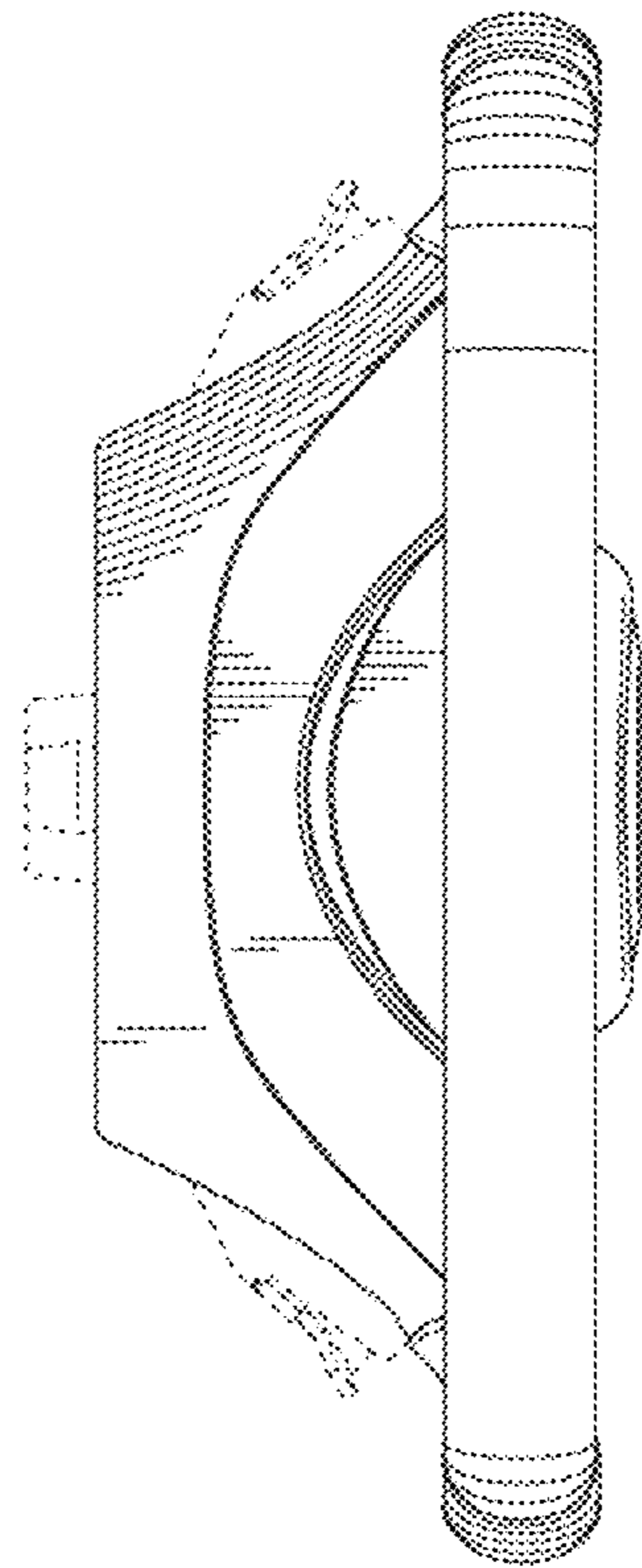


FIG. 6

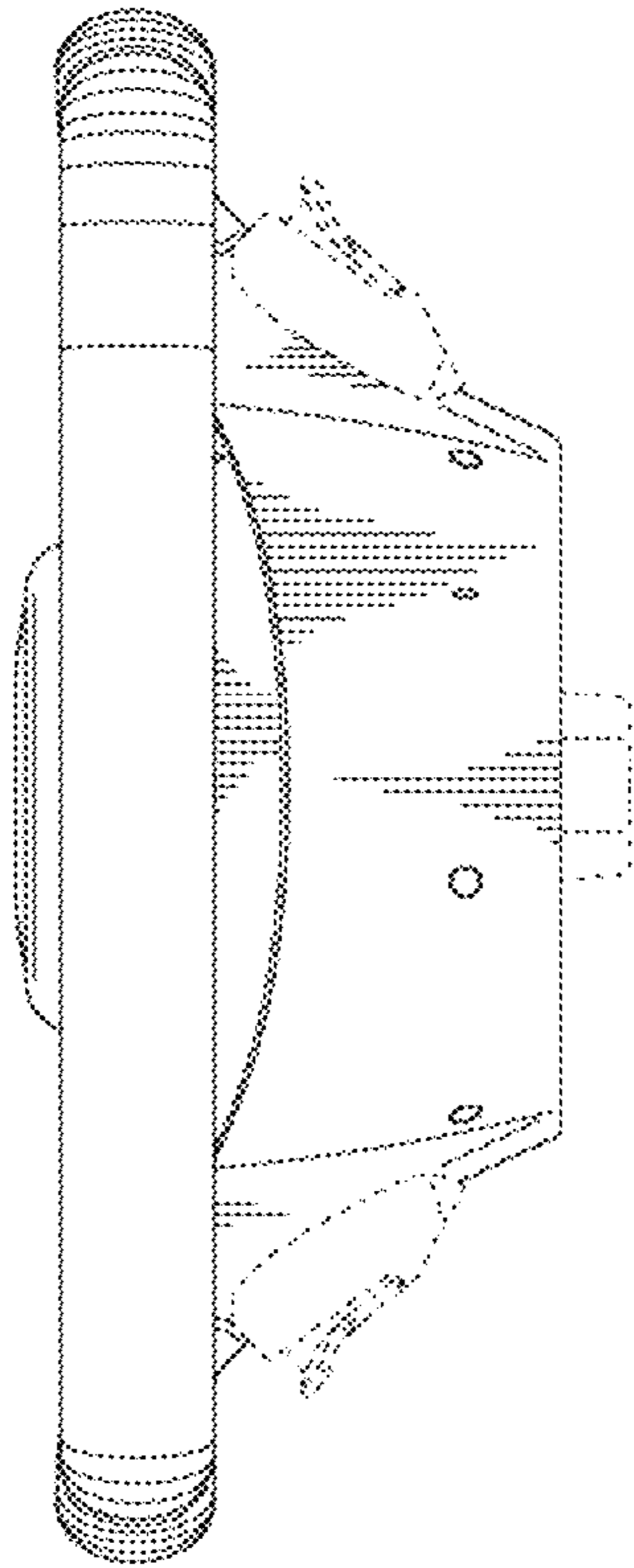


FIG. 7