



US00D909935S

(12) **United States Design Patent**
Galdino et al.

(10) **Patent No.:** **US D909,935 S**

(45) **Date of Patent:** **** Feb. 9, 2021**

- (54) **VEHICLE STEERING WHEEL**
- (71) Applicants: **Rodrigo Galdino**, Irvine, CA (US);
Andre Franco Luis, Irvine, CA (US);
David Witt, Irvine, CA (US)
- (72) Inventors: **Rodrigo Galdino**, Irvine, CA (US);
Andre Franco Luis, Irvine, CA (US);
David Witt, Irvine, CA (US)
- (73) Assignee: **Karma Automotive LLC**, Irvine, CA (US)
- (**) Term: **15 Years**
- (21) Appl. No.: **29/685,917**
- (22) Filed: **Apr. 1, 2019**
- (51) **LOC (13) Cl.** **12-16**
- (52) **U.S. Cl.**
USPC **D12/176**
- (58) **Field of Classification Search**
USPC D12/175, 176; 74/552, 558, 558.5
CPC B60R 21/203; B60R 21/05; B62D 1/04
See application file for complete search history.

- D772,769 S * 11/2016 Hamanaga D12/176
- D787,390 S * 5/2017 Kanda D12/176
- D792,299 S * 7/2017 Manzoni D12/176
- D797,021 S * 9/2017 Chergosky D12/176
- D798,206 S * 9/2017 Sjogren D12/176
- D830,255 S * 10/2018 Kawahara D12/176
- D848,913 S * 5/2019 Sjogren D12/176
- D878,981 S * 3/2020 Maurer D12/176
- D881,089 S * 4/2020 Sham D12/176

* cited by examiner

Primary Examiner — Melody N Brown

(74) *Attorney, Agent, or Firm* — Gordon Rees Scully Mansukhani, LLP

(57) **CLAIM**

The ornamental design for a vehicle steering wheel, as shown and described.

DESCRIPTION

FIG. 1 is a front and right side perspective view of a vehicle steering wheel showing our new design; FIG. 2 is a front elevational view thereof; FIG. 3 is a rear elevational view thereof; FIG. 4 is a left side elevational view thereof; FIG. 5 is a right side elevational view thereof; FIG. 6 is a top perspective view thereof; and, FIG. 7 is a bottom perspective view thereof.

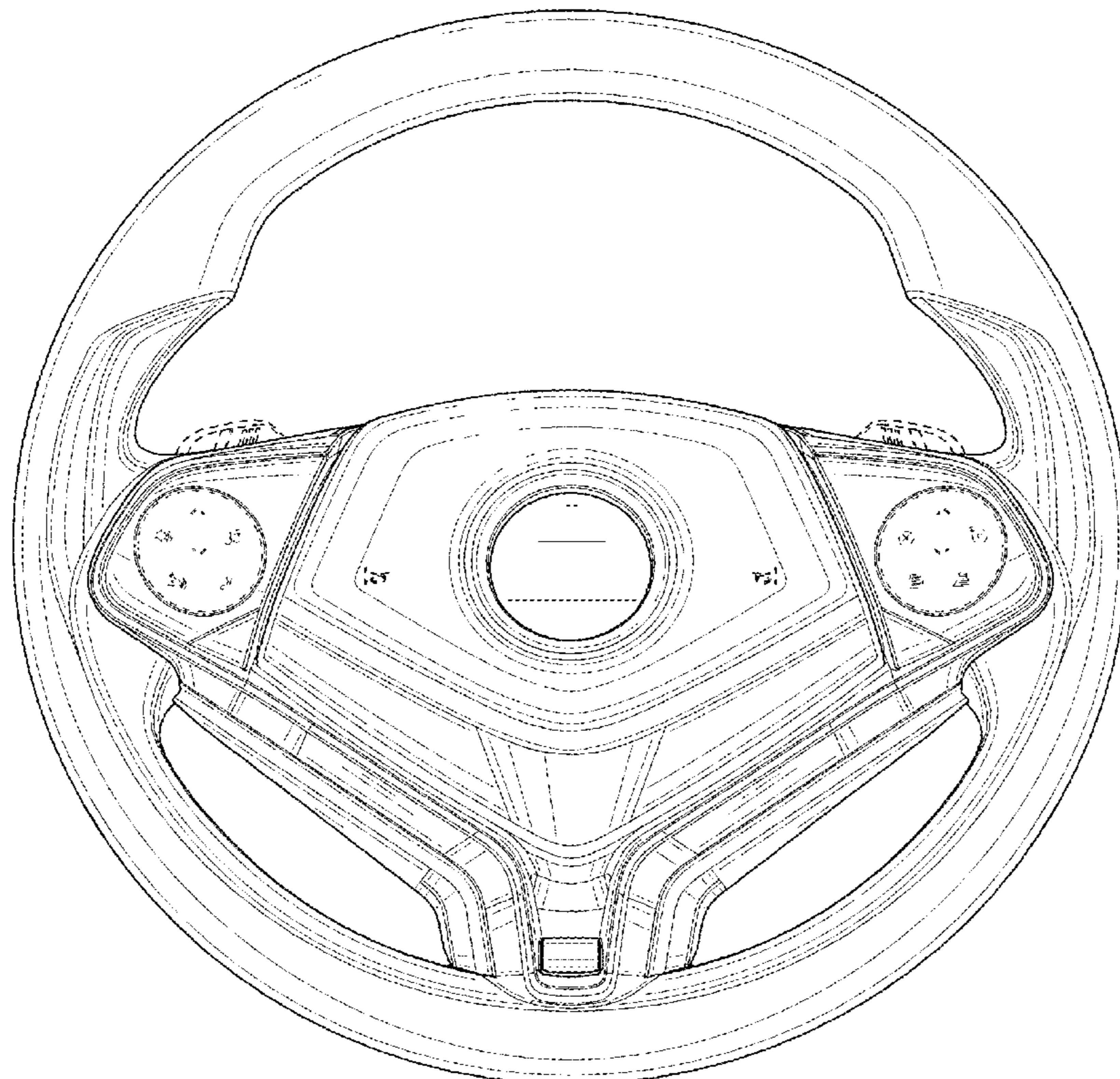
The broken lines shown throughout the drawing views are for illustrative and environmental purposes and form no part of the claimed design.

1 Claim, 7 Drawing Sheets

(56) **References Cited**

U.S. PATENT DOCUMENTS

- D499,366 S * 12/2004 Habib D12/176
- D630,983 S * 1/2011 Frank D12/176
- D734,695 S * 7/2015 Wiedeman D12/176
- D734,860 S * 7/2015 Spiteri D24/189
- D743,860 S * 11/2015 Nagumo D12/176



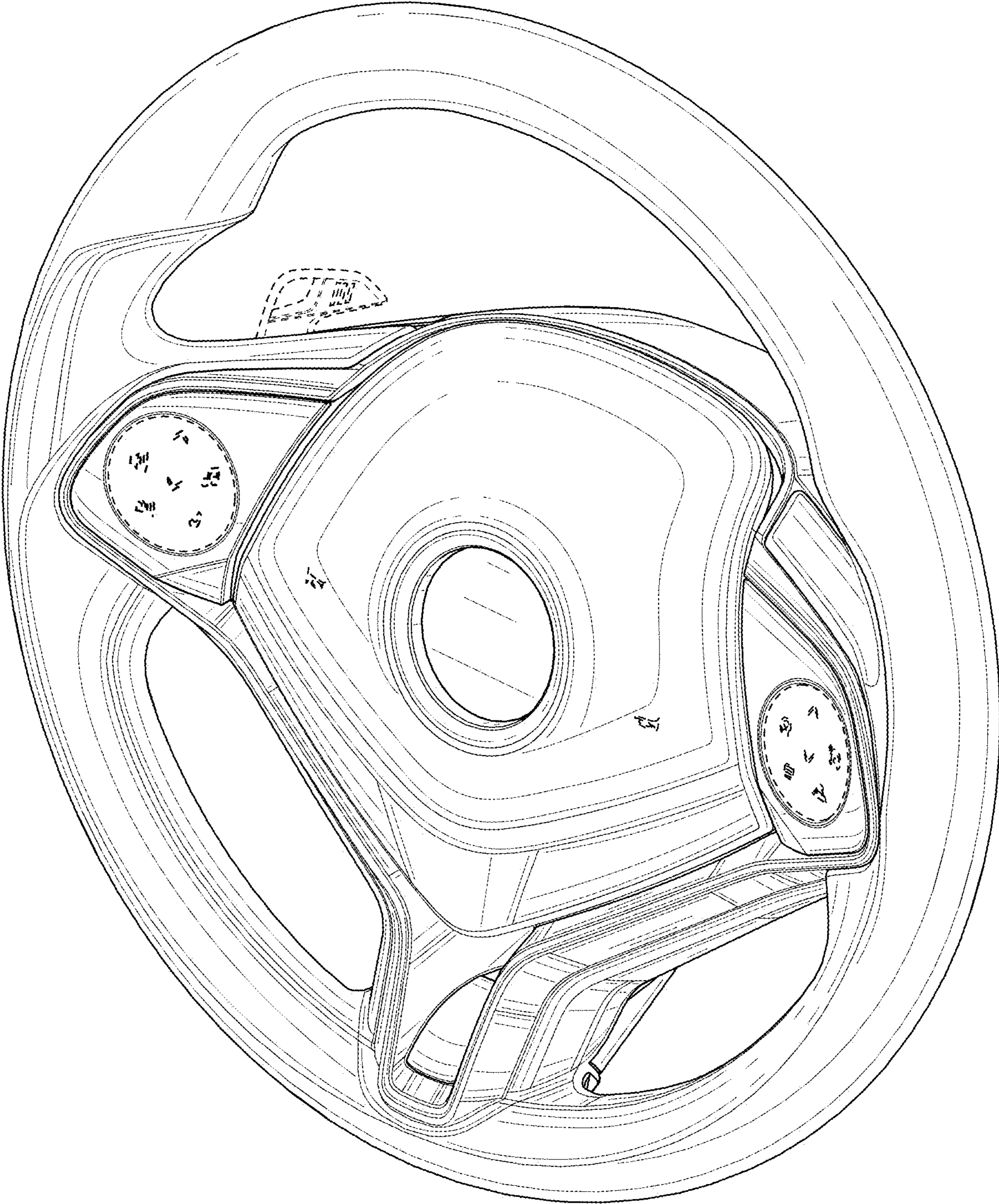


FIG. 1

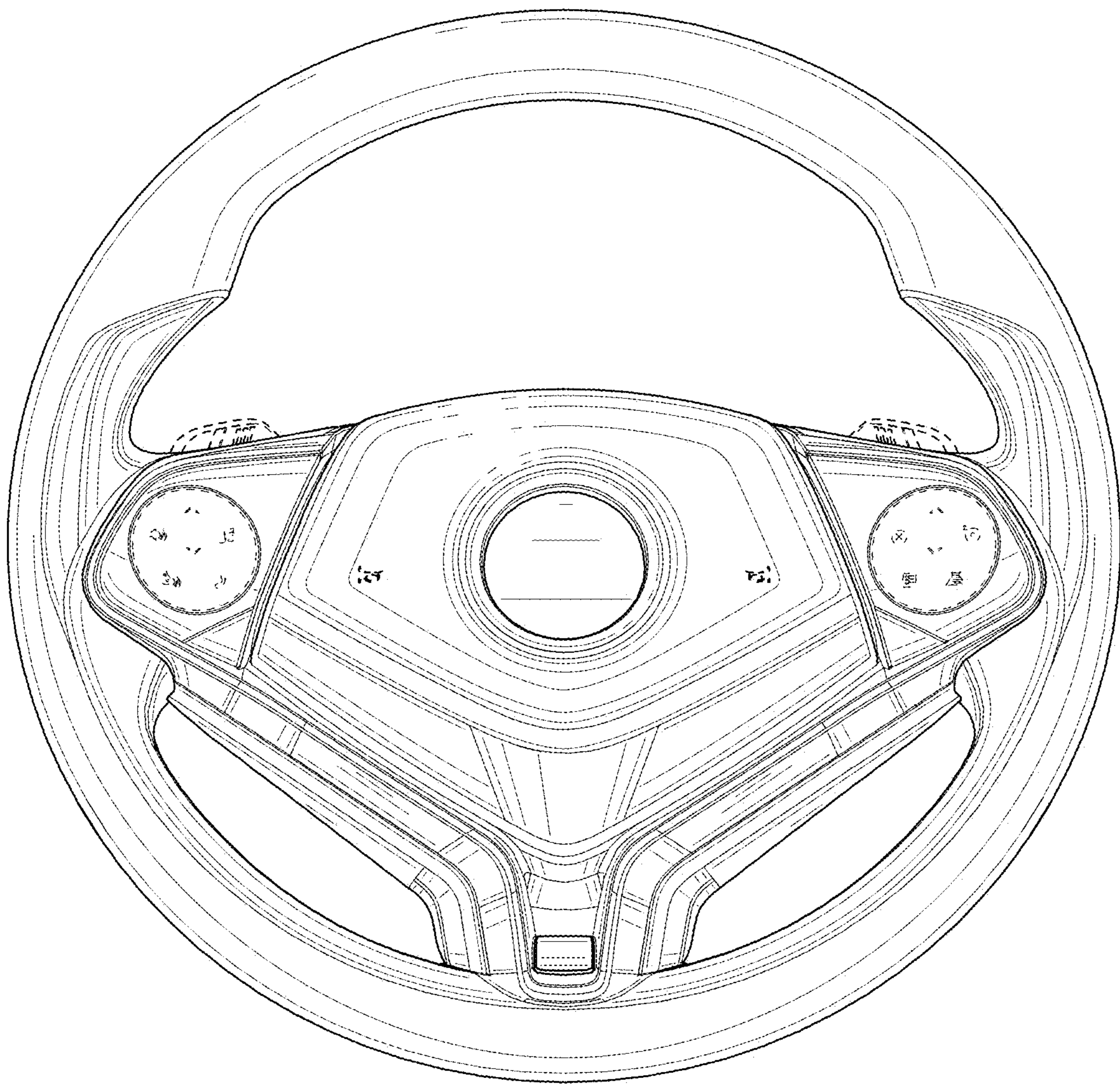


FIG. 2

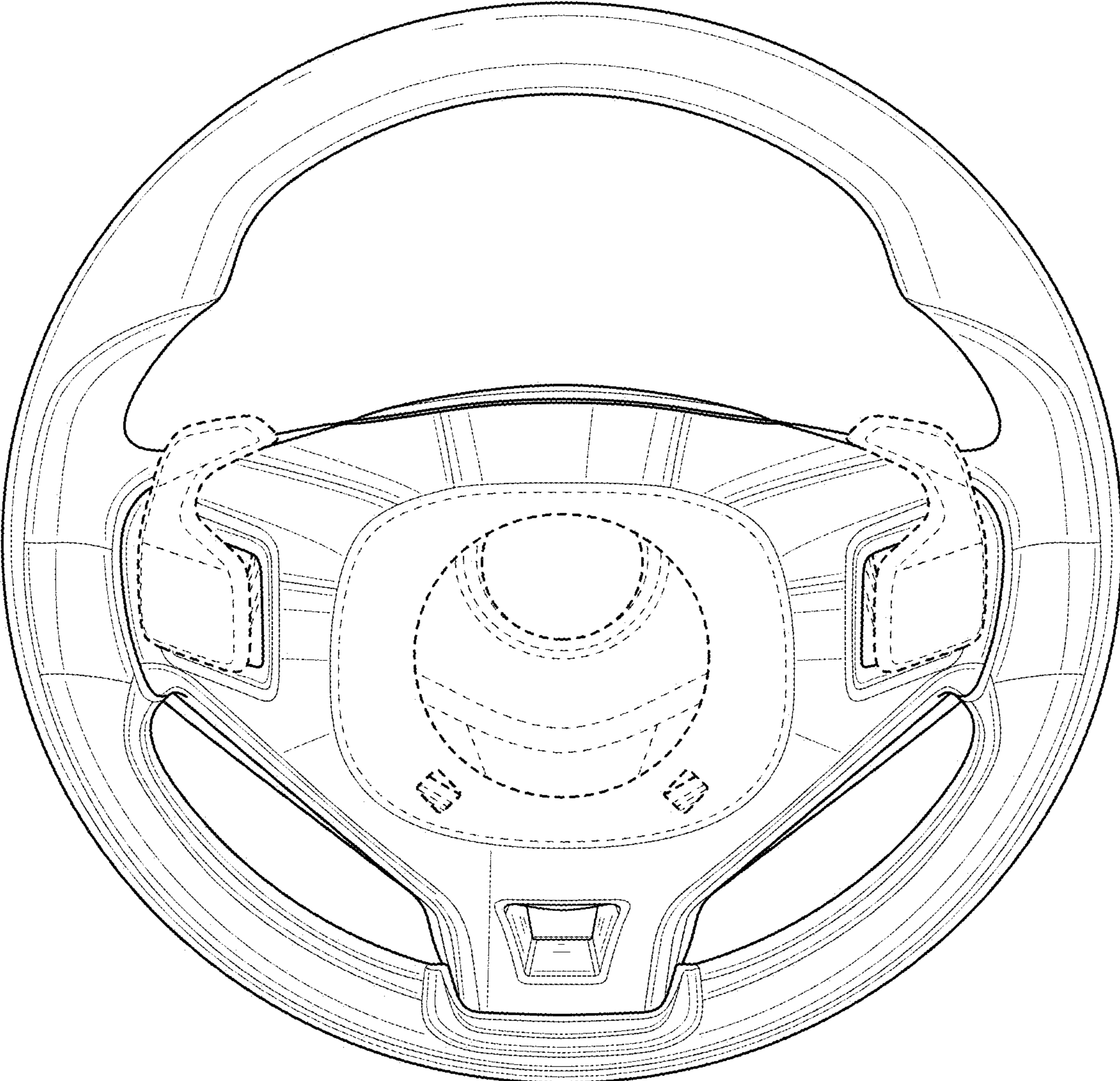


FIG. 3

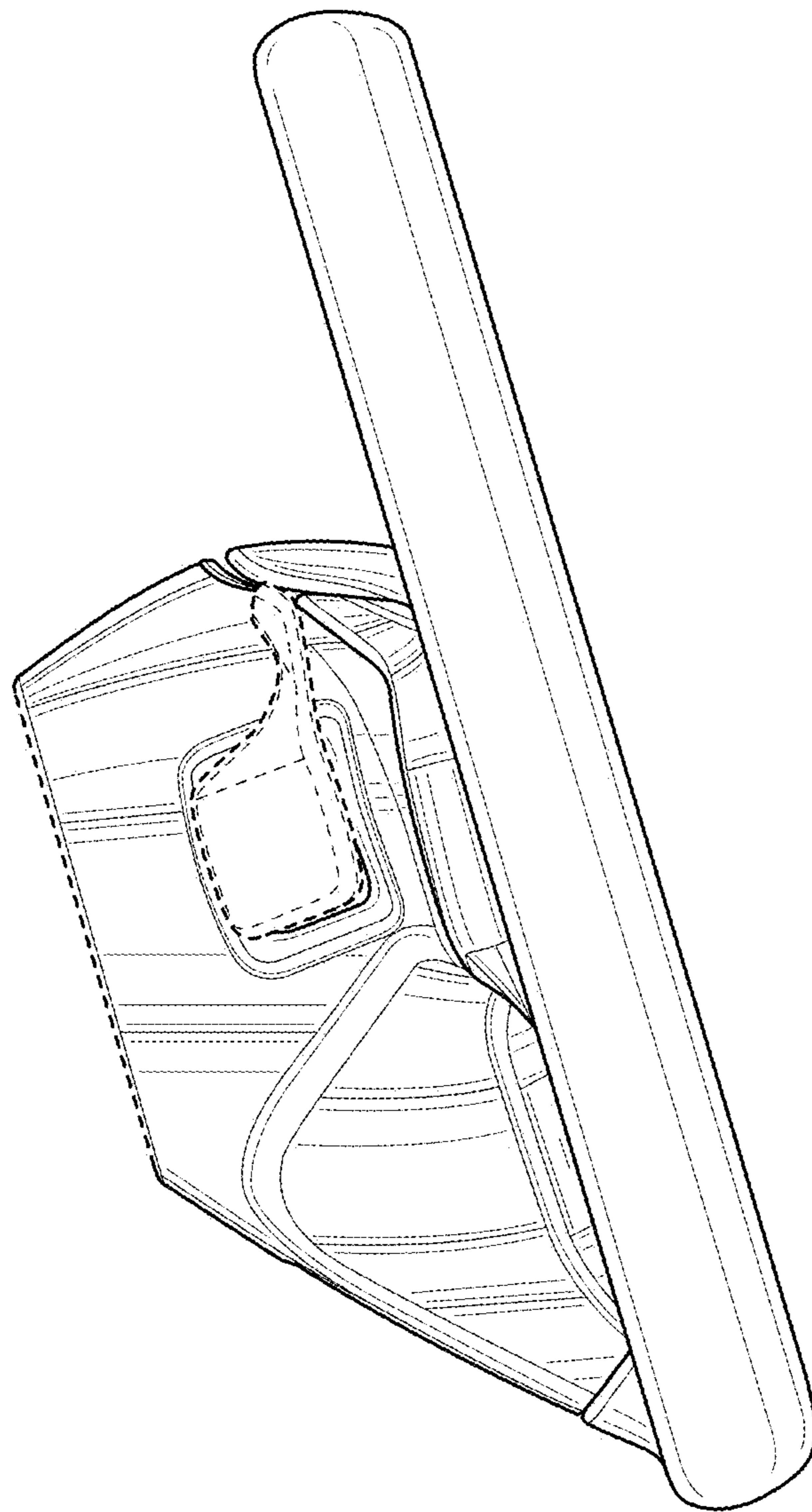


FIG. 4

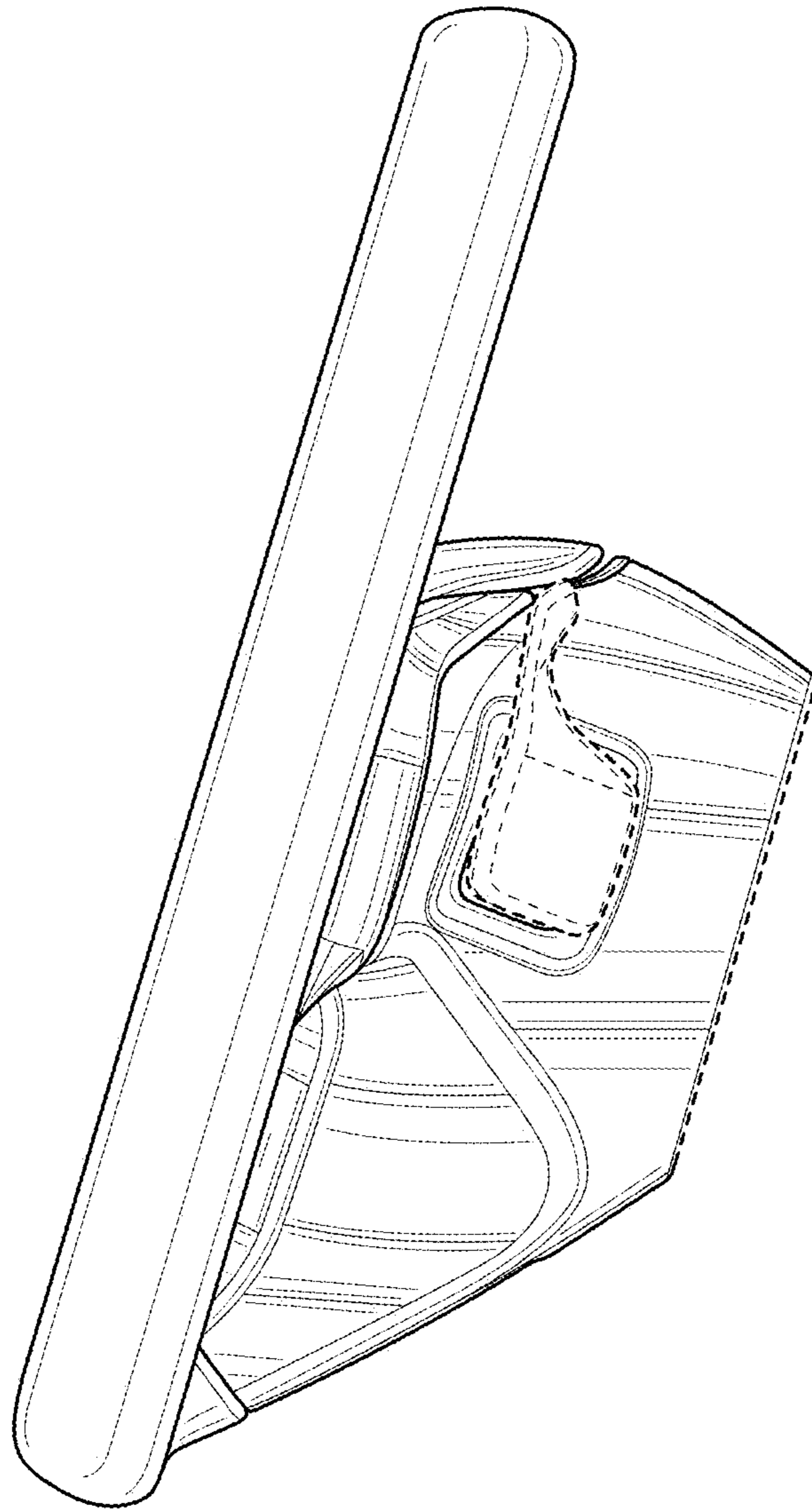


FIG. 5

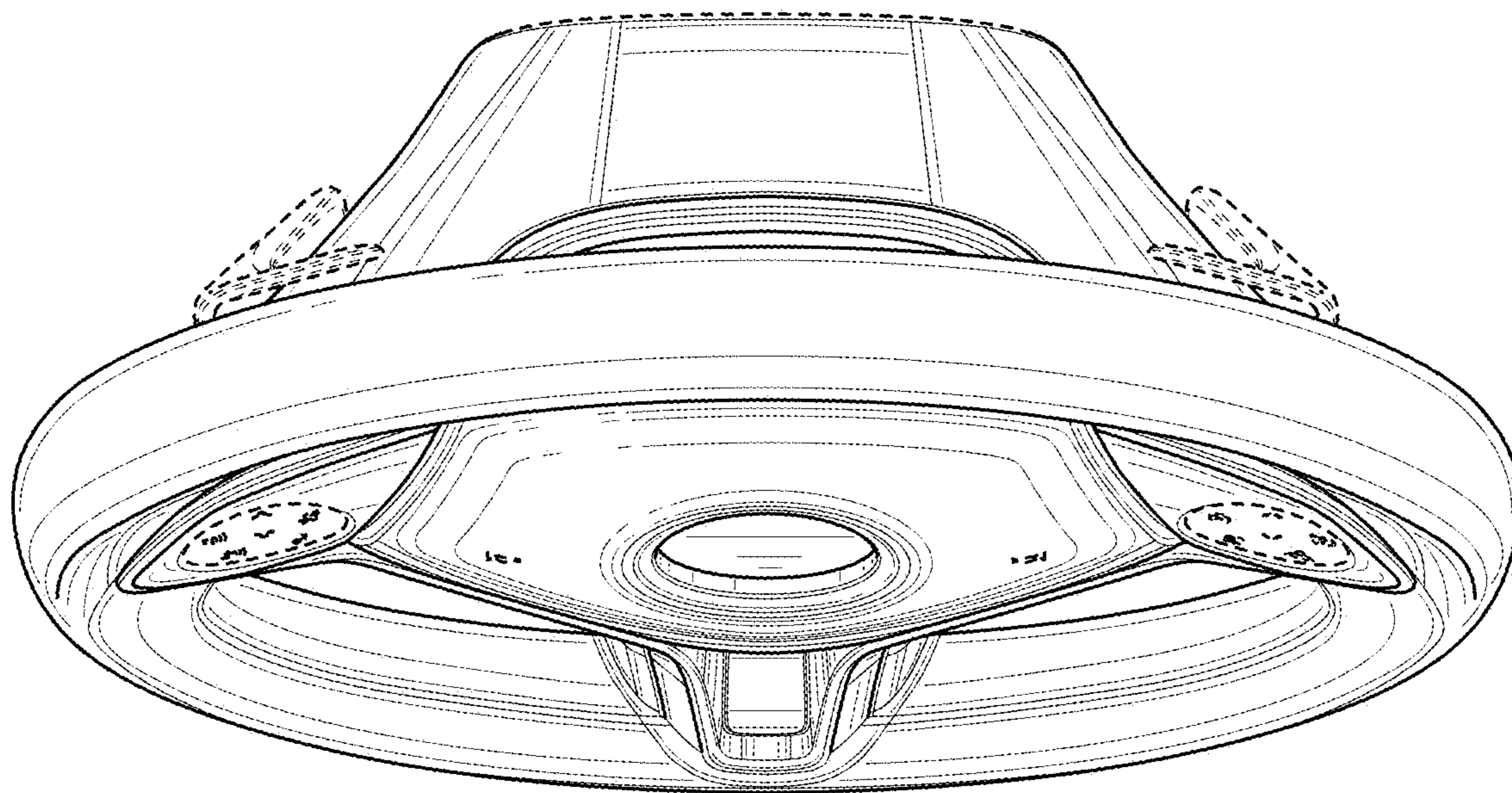


FIG. 6

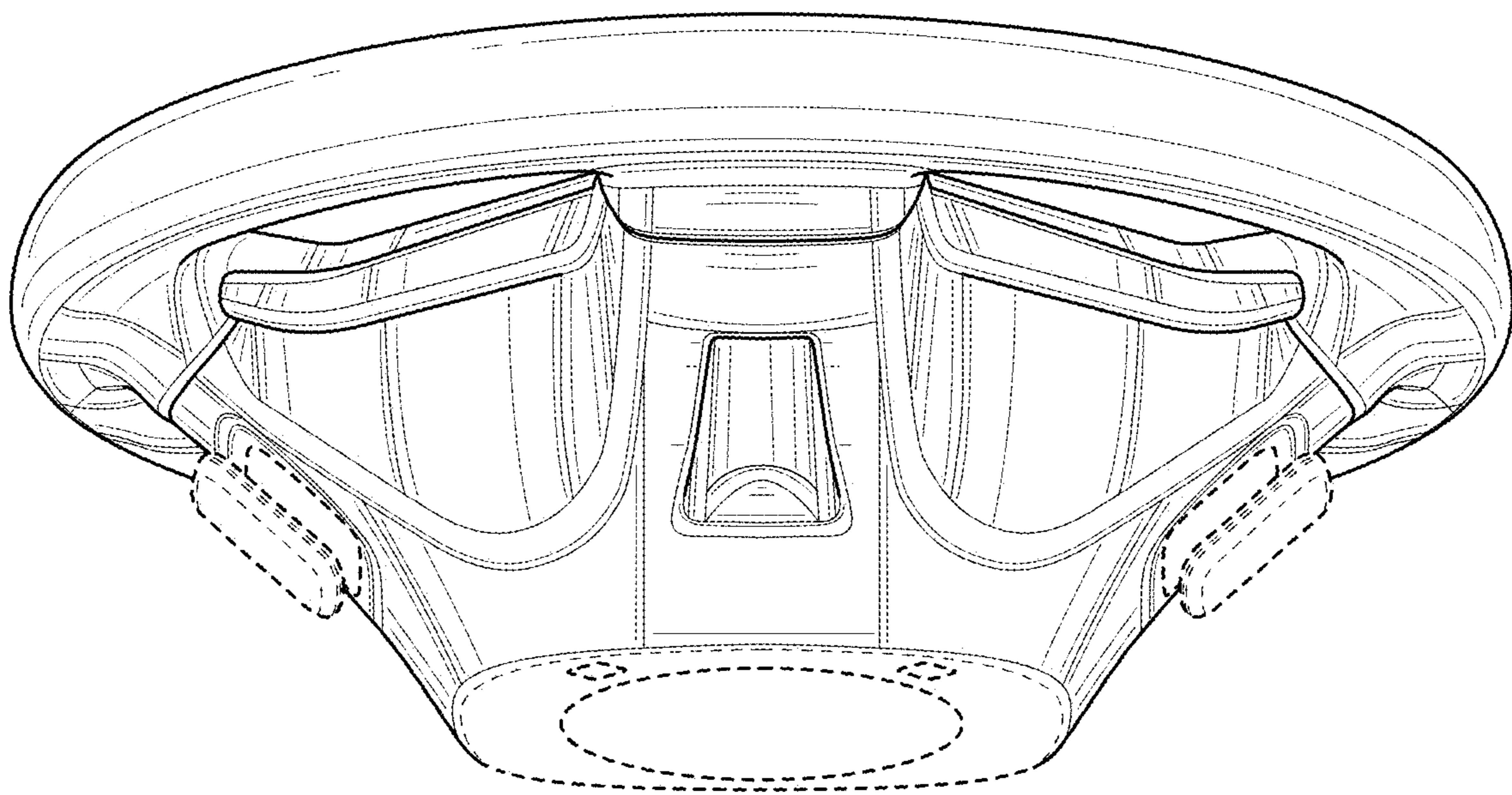


FIG. 7