



US00D909929S

(12) **United States Design Patent** (10) **Patent No.:** **US D909,929 S**
Bucher et al. (45) **Date of Patent:** **** Feb. 9, 2021**

(54) **VEHICLE FRONT LOWER GRILLE**

(71) Applicant: **Ford Global Technologies, LLC,**
Dearborn, MI (US)

(72) Inventors: **George Bucher,** Dearborn, MI (US);
Craig S. Metros, Bloomfield, MI (US);
Dean Carbis, Bloomfield Hills, MI
(US); **Steven Gilmore,** Farmington
Hills, MI (US); **Shawn Sung Yu,**
Canton, MI (US)

(73) Assignee: **Ford Global Technologies, LLC,**
Dearborn, MI (US)

(**) Term: **15 Years**

(21) Appl. No.: **29/729,943**

(22) Filed: **Mar. 31, 2020**

Related U.S. Application Data

(62) Division of application No. 29/632,015, filed on Jan.
4, 2018, now Pat. No. Des. 879,672.

(51) **LOC (13) Cl.** **12-16**

(52) **U.S. Cl.**
USPC **D12/163**

(58) **Field of Classification Search**
USPC D12/169, 164, 196, 171, 163, 86, 90-92;
180/68.1, 68.6; 296/180.1, 180.2;
293/193.11
CPC B60R 19/52; B60K 11/08; B62D 25/08
See application file for complete search history.

(56) **References Cited**

U.S. PATENT DOCUMENTS

D473,500 S * 4/2003 Okumoto D12/169
D502,675 S * 3/2005 Ichinose D12/169
D504,366 S * 4/2005 Ishibashi D12/169

D533,819 S * 12/2006 Hogios D12/169
D561,072 S * 2/2008 Golden D12/169
D561,654 S * 2/2008 Platto D12/163
D578,443 S * 10/2008 Schiavone D12/163
D584,196 S * 1/2009 Ebel D12/163
D584,197 S * 1/2009 Song D12/163
D593,460 S * 6/2009 Schiavone D12/163
D680,921 S * 4/2013 Jara D12/163
D681,514 S * 5/2013 Platto D12/163
D683,667 S * 6/2013 Platto D12/163
D685,690 S * 7/2013 Svensson D12/163
D712,319 S * 9/2014 Mays D12/163
D740,184 S * 10/2015 Blanski D12/163
D758,927 S * 6/2016 Messale D12/163

(Continued)

Primary Examiner — Melody N Brown

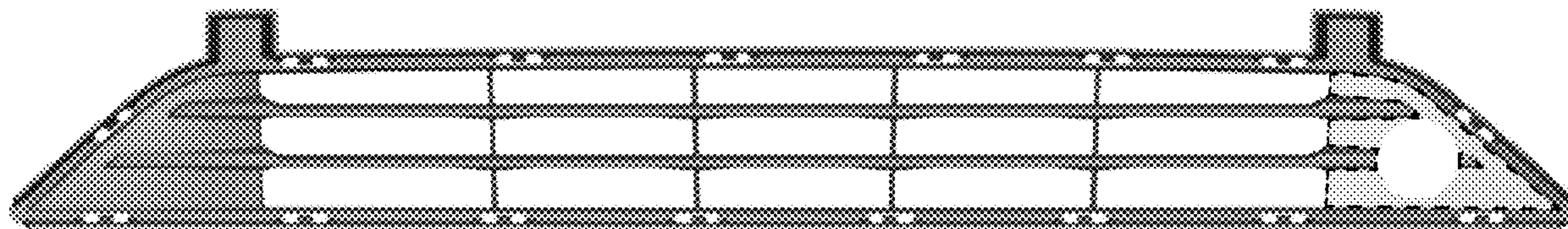
(57) **CLAIM**

The ornamental design for a vehicle front lower grille, as shown and described.

DESCRIPTION

FIG. 1 is a front elevational view of a vehicle front lower grille showing our new design;
FIG. 2 is a rear elevational view thereof;
FIG. 3 is a left side elevational view thereof;
FIG. 4 is a right side elevational view thereof;
FIG. 5 is a top plan view thereof;
FIG. 6 is a bottom plan view thereof;
FIG. 7 is a top, front, and left side perspective view thereof;
FIG. 8 is a bottom, front, and left side perspective view thereof; and,
FIG. 9 is a top, rear and left side perspective view thereof.
The portion of the grille shown throughout the drawing views in de-emphasized and half-tone portions inside the broken lines and the broken lines representing the boundary and configuration of what is claimed as the design are for environmental and illustrative purposes only and form no part of the claimed design.

1 Claim, 9 Drawing Sheets



(56)

References Cited

U.S. PATENT DOCUMENTS

D771,533	S	*	11/2016	Kapitonov	D12/169
D771,534	S	*	11/2016	Bucher	D12/169
D780,646	S	*	3/2017	Wolff	D12/163
D786,743	S	*	5/2017	Smith	D12/163
D788,656	S	*	6/2017	Svensson	D12/163
D789,840	S	*	6/2017	Curic	D12/163
D791,653	S	*	7/2017	Svensson	D12/163
D815,570	S	*	4/2018	McMahan	D12/163
D819,512	S	*	6/2018	Behmer	D12/163
D827,513	S	*	9/2018	Gueler	D12/163
D832,146	S	*	10/2018	Metros	D12/91
D835,002	S	*	12/2018	Metros	D12/91
D837,700	S	*	1/2019	Gueler	D12/163
D841,528	S	*	2/2019	Razaghi	D12/163
D879,679	S	*	3/2020	Kezha	D12/163

* cited by examiner

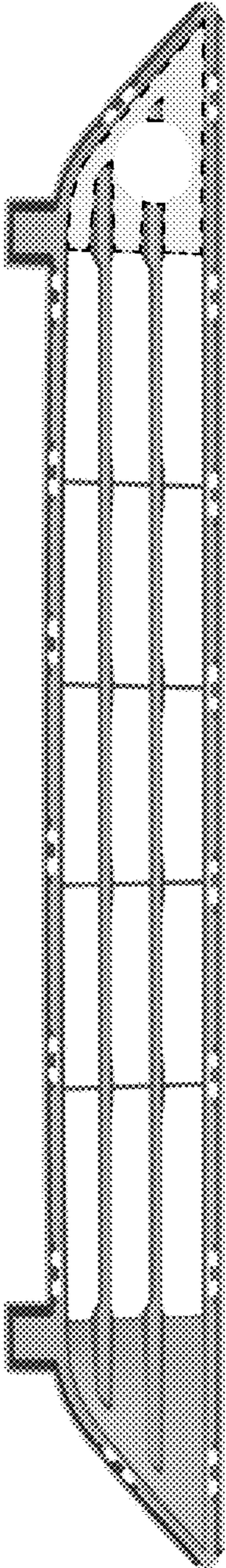


Fig. 1

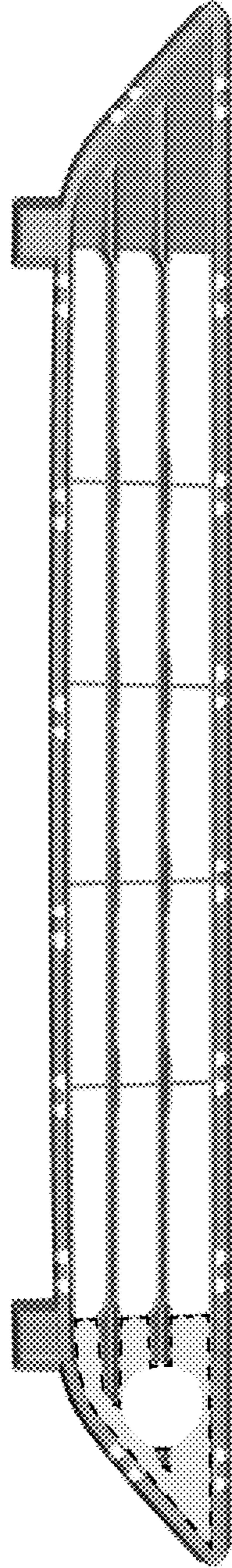


Fig. 2

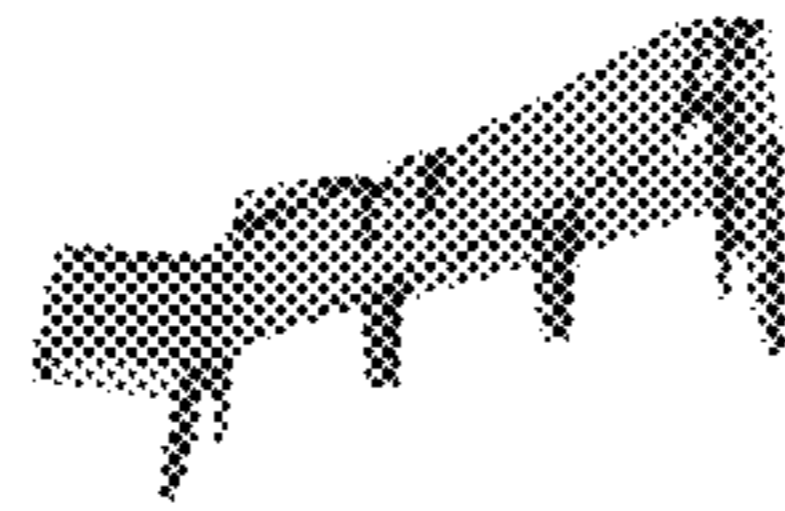


Fig. 3



Fig. 4

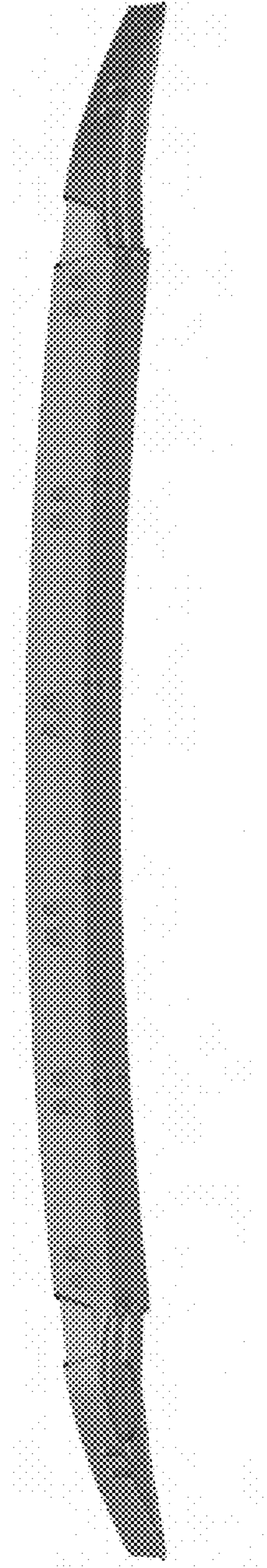


Fig. 5

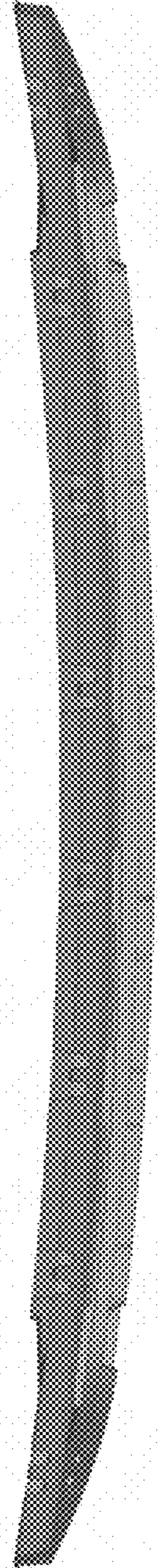
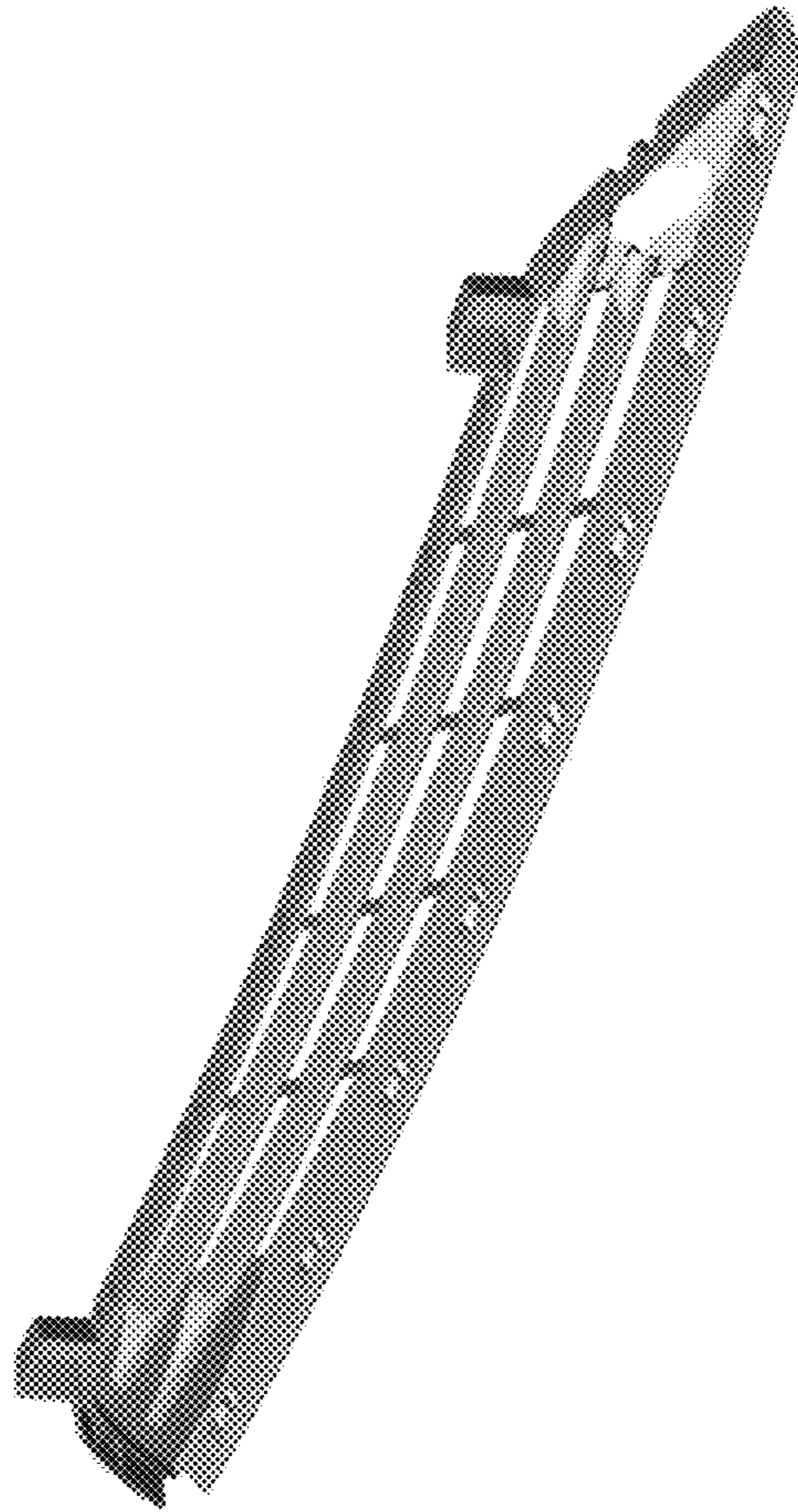


Fig. 6

FIG. 7



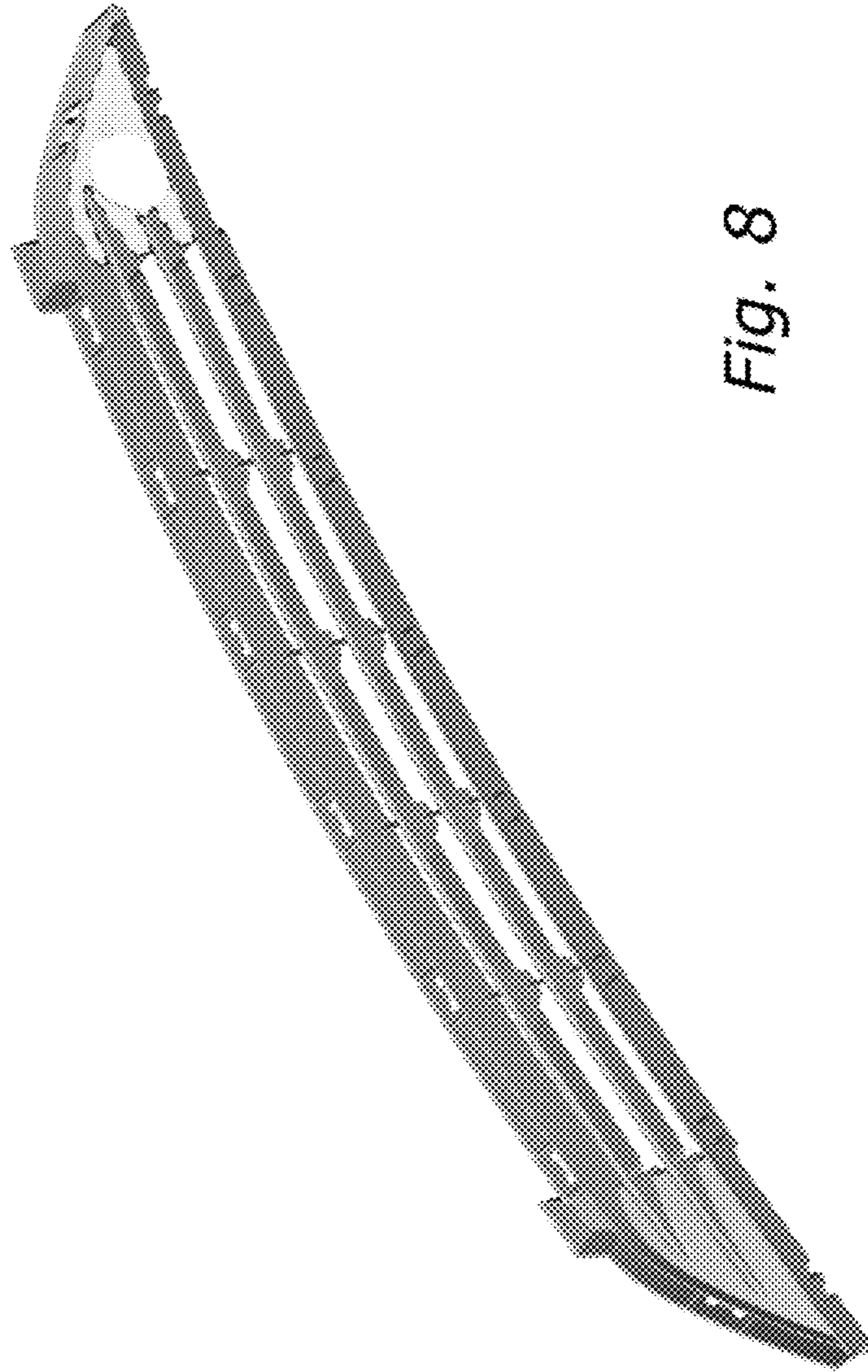


Fig. 8

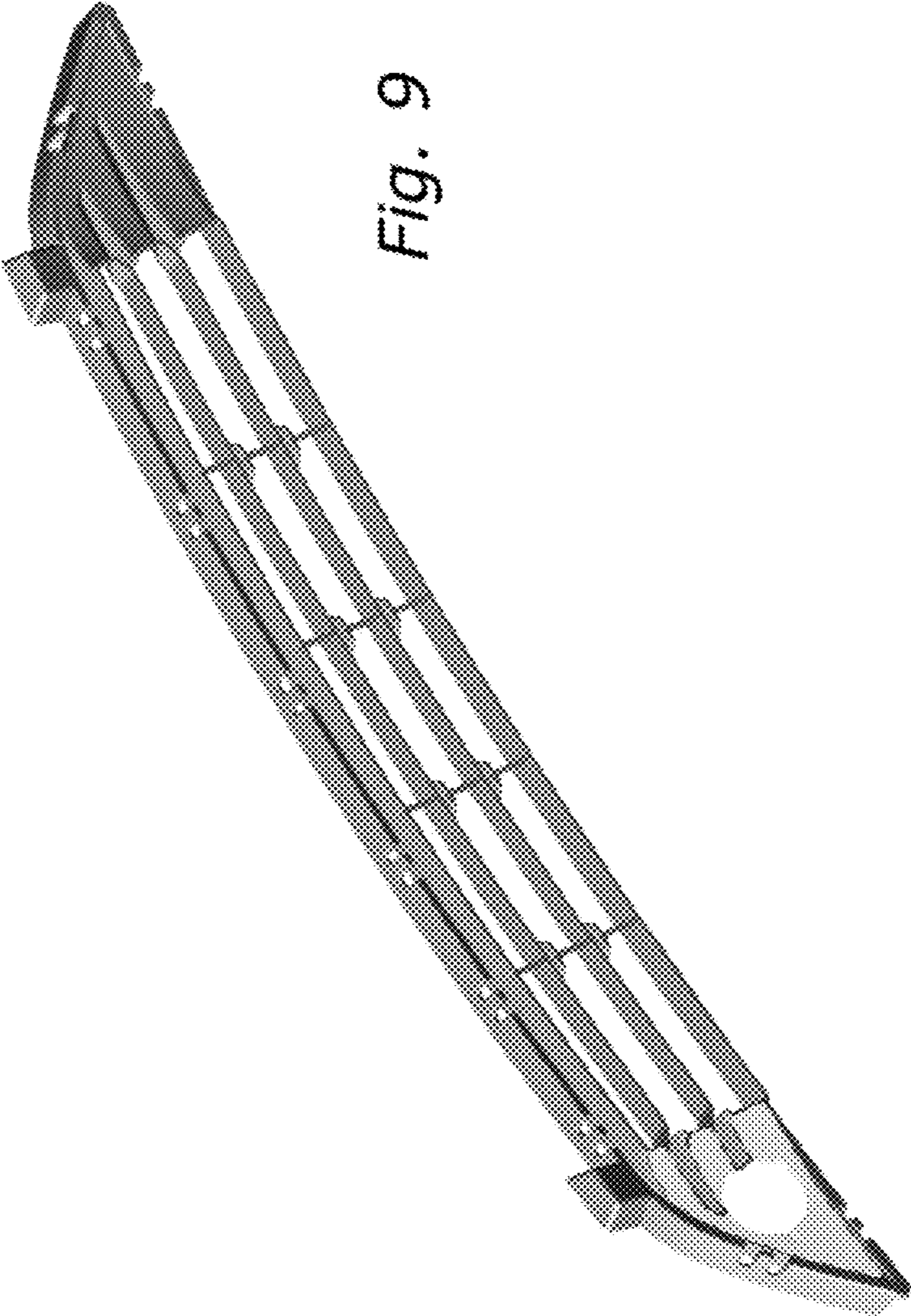


Fig. 9