



US00D909924S

(12) **United States Design Patent** (10) **Patent No.:** **US D909,924 S**
Battams et al. (45) **Date of Patent:** **** Feb. 9, 2021**

(54) **FRONT GRILLE**

FOREIGN PATENT DOCUMENTS

(71) Applicant: **Jaguar Land Rover Limited**, Coventry (GB)

CN 304588351 * 4/2018
EM 00221096-0001 * 6/2015
EM 002637579-0002 * 8/2017

(72) Inventors: **Robert Battams**, Coventry (GB);
Massimo Frascella, Coventry (GB)

OTHER PUBLICATIONS

(73) Assignee: **Jaguar Land Rover Limited**, Coventry (GB)

Range Rover Evoque Compact and Refined Auto&Design <http://autodesignmagazine.com/en/2018/11/range-rover-evoque-compact-and-refined/> Posted Nov. 22, 2018 (Year: 2018).*

(**) Term: **15 Years**

(Continued)

(21) Appl. No.: **29/673,752**

Primary Examiner — Leanne Was-Englehart

(22) Filed: **Dec. 18, 2018**

(74) *Attorney, Agent, or Firm* — Wood Herron & Evans LLP

(30) **Foreign Application Priority Data**

(57) **CLAIM**

Jun. 28, 2018 (EM) 005329125
Jun. 28, 2018 (EM) 005329133

The ornamental design for a front grille, as shown and described.

(51) **LOC (13) Cl.** **12-16**

DESCRIPTION

(52) **U.S. Cl.**
USPC **D12/163**

(58) **Field of Classification Search**
USPC D12/86, 90-93, 163, 164, 166, 167, 169,
D12/171, 172, 173, 190, 196, 216
CPC ... B60R 19/50; B60R 19/52; B60R 2019/525;
B60K 11/08; B60K 11/085; B62D 25/08;
B62D 25/084
See application file for complete search history.

FIG. 1 is a front left elevated perspective view of a front grille according to the present invention.

FIG. 2 is a front left perspective view of the front grille shown in FIG. 1.

FIG. 3 is a rear right elevated perspective view thereof.

FIG. 4 is a rear right perspective view thereof.

FIG. 5 is a front view thereof.

FIG. 6 is a rear view thereof.

FIG. 7 is a left side view thereof.

FIG. 8 is a right side view thereof.

FIG. 9 is a top view thereof.

FIG. 10 is a bottom view thereof; and,

FIG. 11 is another front view thereof, but mounted on a vehicle to show environmental structure, the vehicle being unclaimed and shown in broken lines. In FIGS. 1, 2, 5, 8, 9, and 11, the internal broken line is included to show unclaimed environmental structure, namely, the grille badge location.

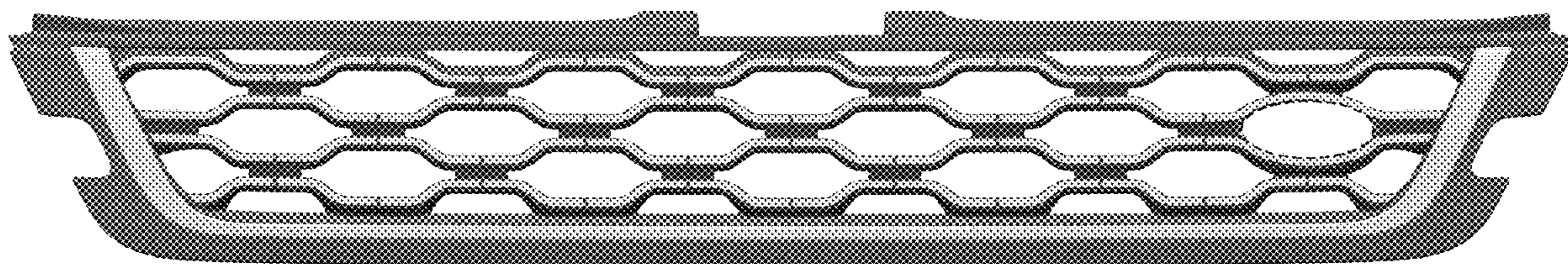
(56) **References Cited**

U.S. PATENT DOCUMENTS

D497,860 S * 11/2004 Hoelzel D12/196
D593,460 S * 6/2009 Schiavone D12/163
D619,507 S * 7/2010 Ishibashi D12/163
D630,560 S * 1/2011 Lamm D12/163
D681,515 S * 5/2013 Platto D12/163
D691,930 S * 10/2013 Song D12/163
D717,222 S * 11/2014 Waterman D12/190

(Continued)

1 Claim, 11 Drawing Sheets



(56)

References Cited

U.S. PATENT DOCUMENTS

D740,185	S	*	10/2015	Blanski	D12/163
D773,963	S	*	12/2016	Battams	D12/163
D830,239	S	*	10/2018	Behmer	D12/163
D834,450	S	*	11/2018	Hill	D12/91
D836,509	S	*	12/2018	Grand	D12/190
D839,145	S	*	1/2019	Battams	D12/164
D840,273	S	*	2/2019	Battams	D12/91
D844,497	S	*	4/2019	Frascella	D12/163
D849,612	S	*	5/2019	Grand	D12/163
D862,312	S	*	10/2019	Frascella	D12/164
D865,579	S	*	11/2019	Battams	D12/163
D865,580	S	*	11/2019	Pollard	D12/163
D868,645	S	*	12/2019	Battams	D12/164
D876,293	S	*	2/2020	Frascella	D12/164

OTHER PUBLICATIONS

The new 2019 Range Rover Evoque is a marvellous mini Velar
British G <https://www.gq-magazine.co.uk/article/new-2019-range-rover-evoque-is-a-marvelous-mini-velar> Posted Nov. 23, 2018 (Year: 2018).*

* cited by examiner

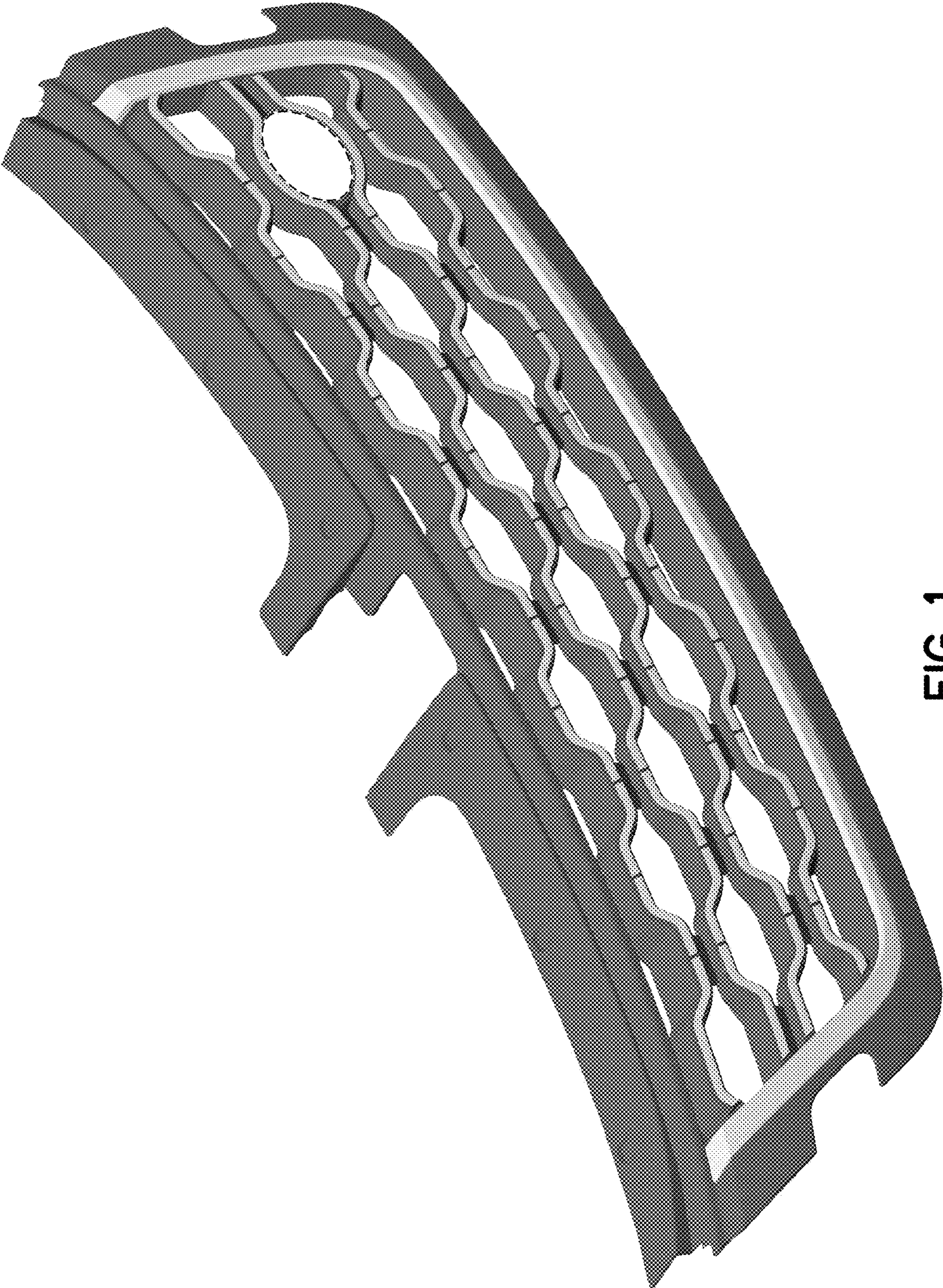


FIG. 1

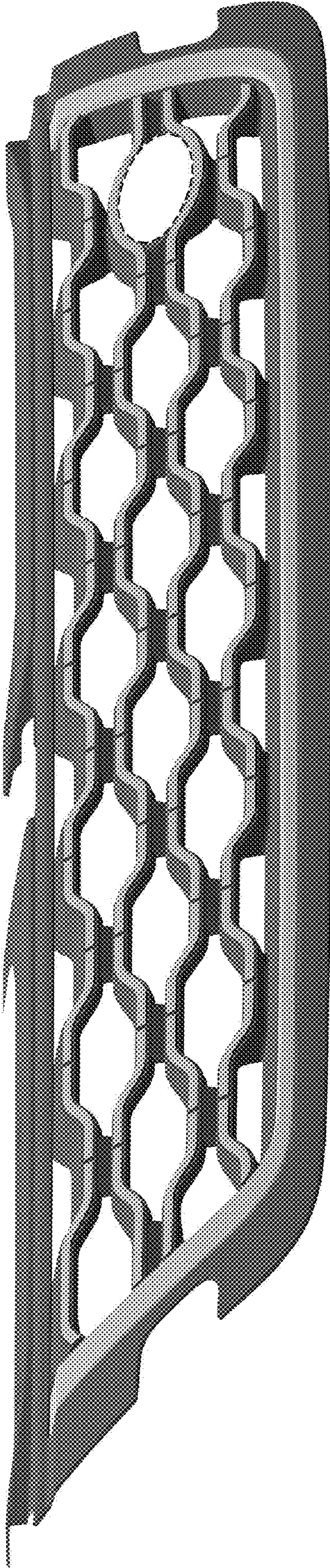


FIG. 2

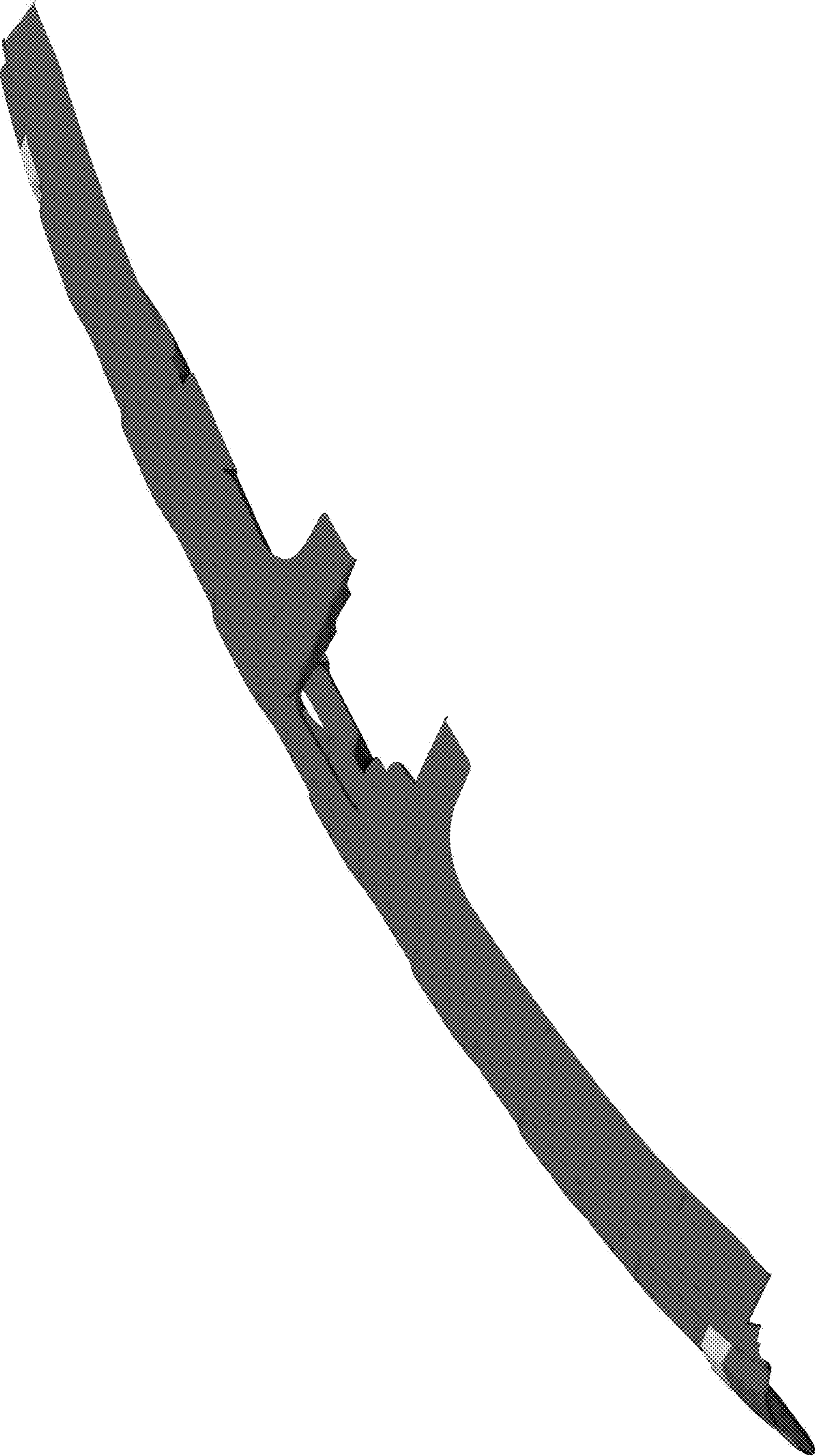


FIG. 3

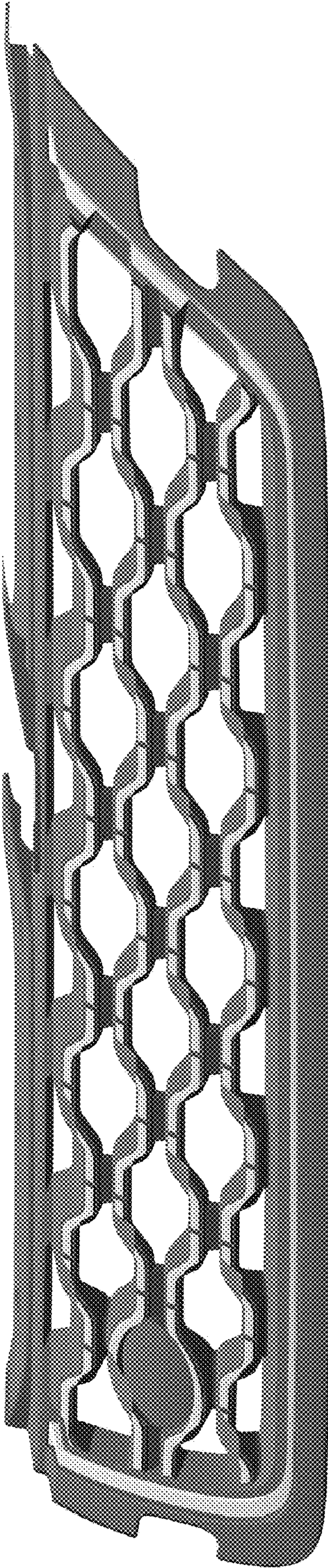


FIG. 4

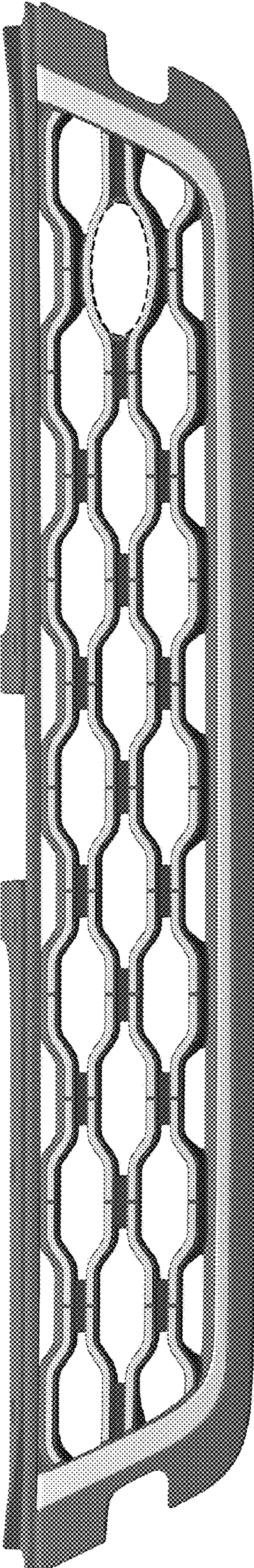


FIG. 5

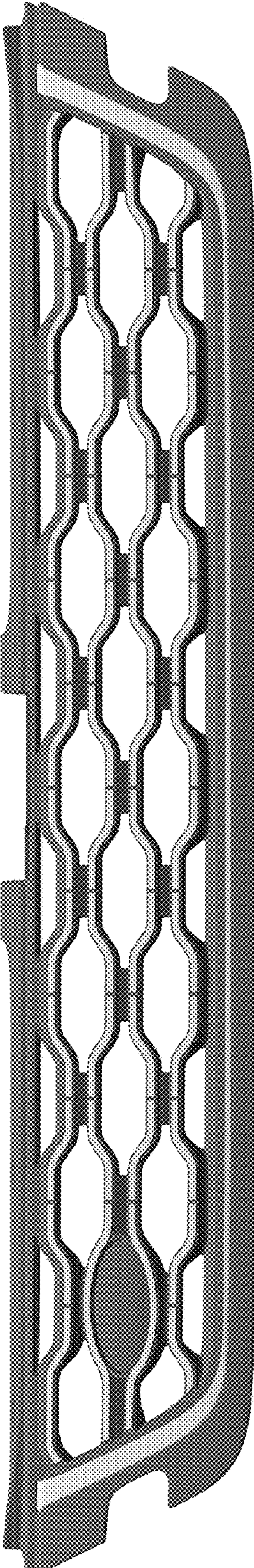


FIG. 6

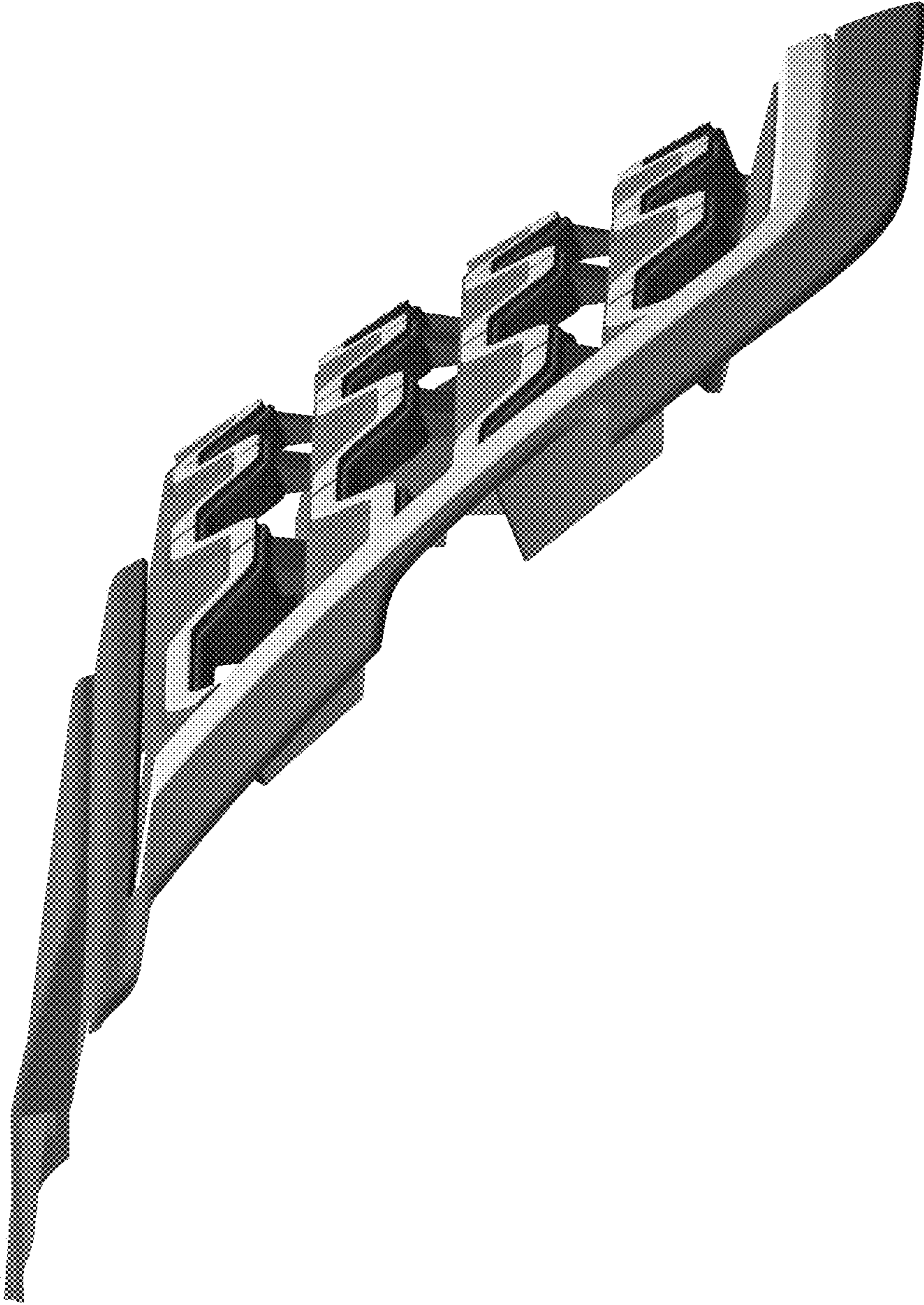


FIG. 7

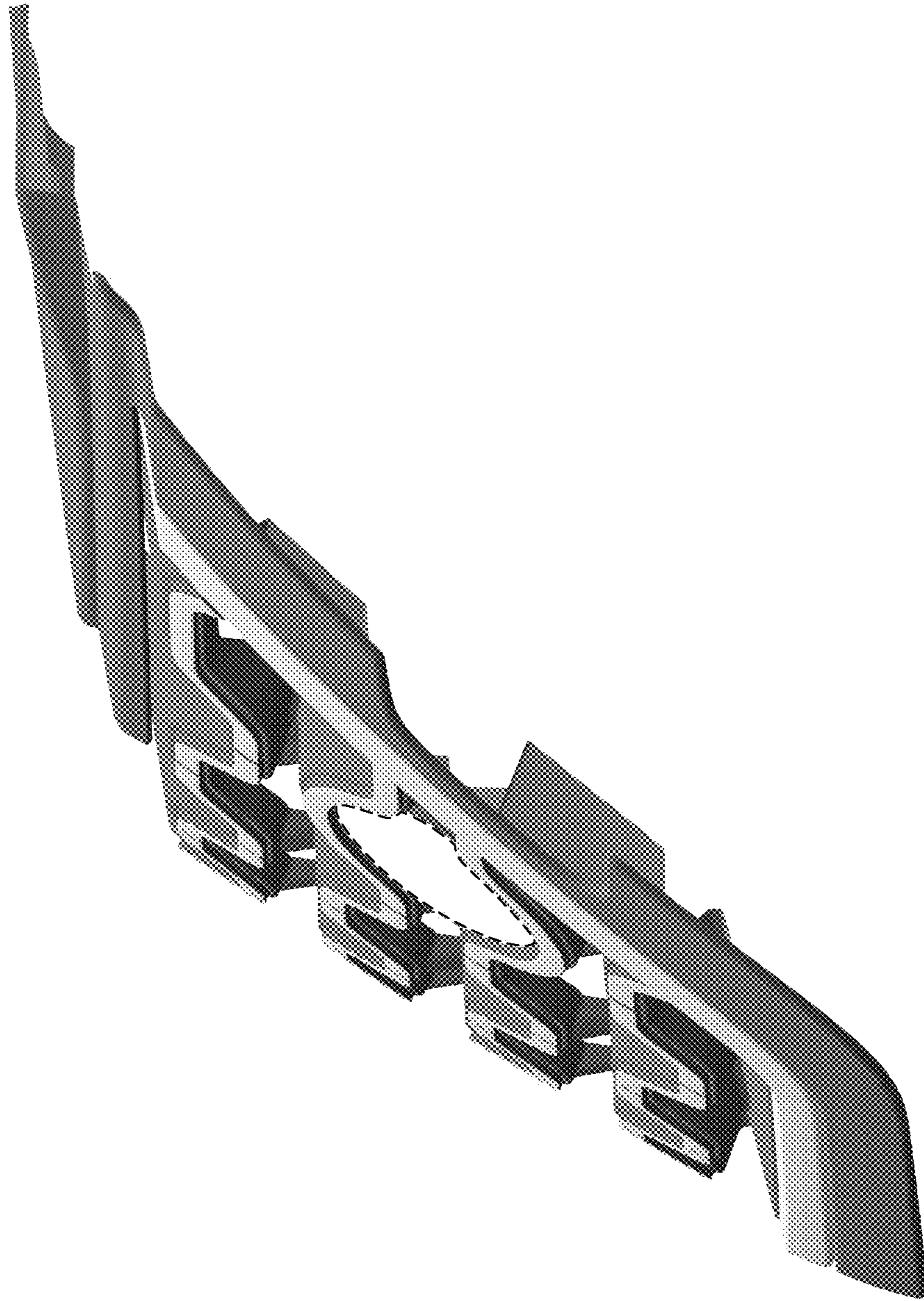


FIG. 8

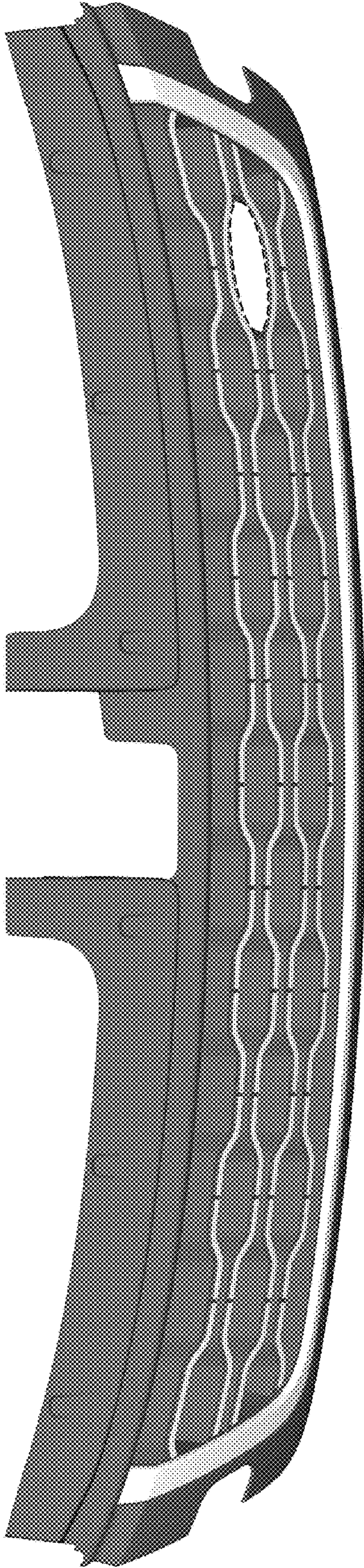


FIG. 9

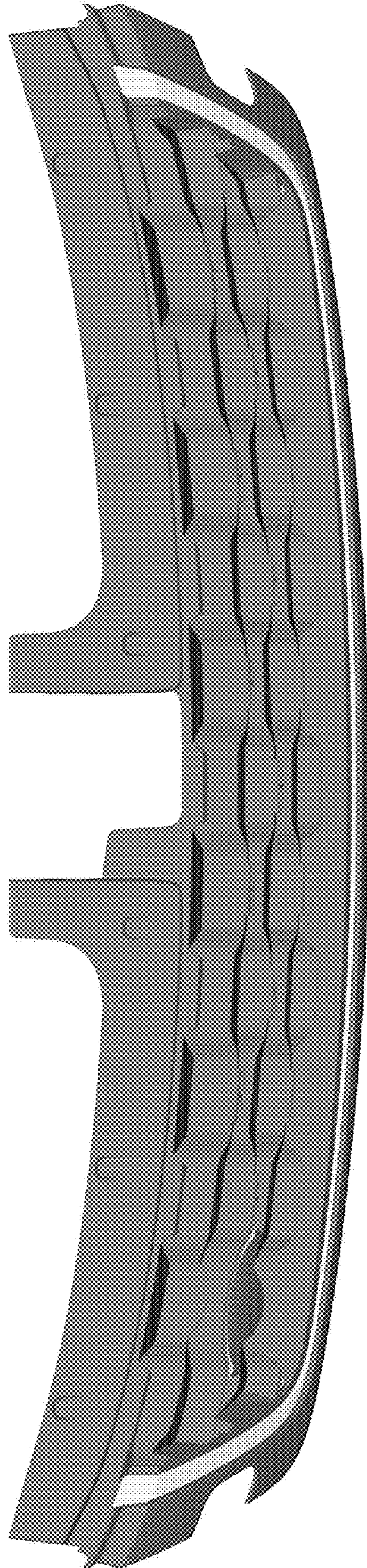


FIG. 10

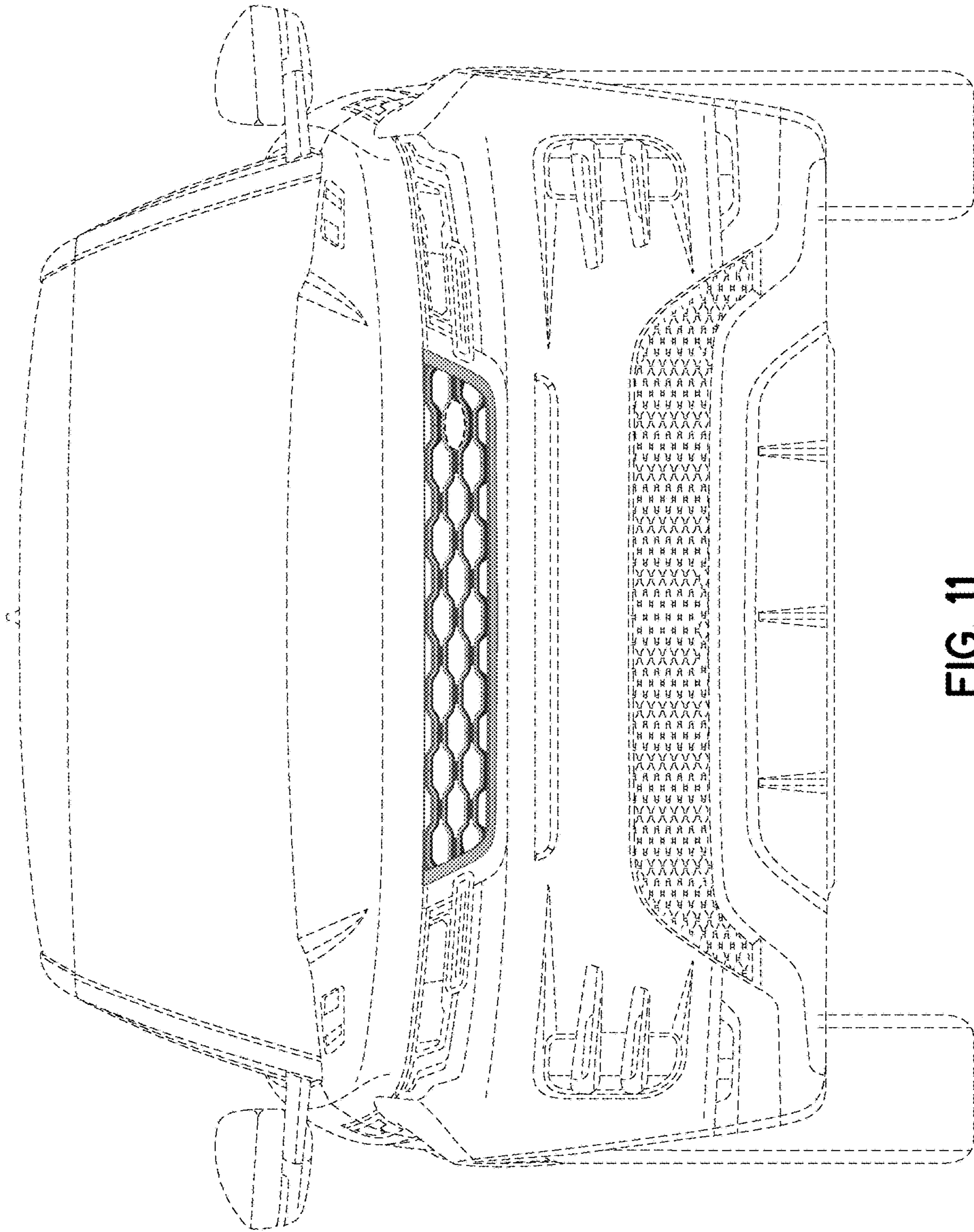


FIG. 11