



(12) **United States Design Patent**  
**Siegel et al.**

(10) **Patent No.:** **US D909,922 S**  
(45) **Date of Patent:** **\*\* Feb. 9, 2021**

(54) **CLEVIS AND HITCH BALL MOUNT ASSEMBLY**  
(71) Applicant: **HORIZON GLOBAL AMERICAS INC.**, Plymouth, MI (US)  
(72) Inventors: **Theodore J. Siegel**, Mayfield Heights, OH (US); **Eric Yukich**, Stow, OH (US); **Michael Maurer**, Euclid, OH (US); **Doug Soulsby**, Stow, OH (US); **Alex Meyer**, Cleveland, OH (US)

D615,006 S \* 5/2010 Goodman ..... D12/162  
D841,526 S \* 2/2019 Siegel ..... D12/162  
D856,199 S \* 8/2019 Siegel ..... D12/162  
D857,563 S \* 8/2019 Siegel ..... D12/162  
D862,308 S \* 10/2019 Siegel ..... D12/162  
2008/0106065 A1\* 5/2008 Cutts ..... B60D 1/145  
280/504  
2008/0252042 A1\* 10/2008 Sparkes ..... B60D 1/00  
280/491.3  
2010/0207360 A1\* 8/2010 Columbia ..... B60D 1/02  
280/504  
2012/0119467 A1\* 5/2012 Svihla ..... B60D 1/06  
280/477  
2019/0070917 A1\* 3/2019 Nance ..... B60D 1/58

(73) Assignee: **HORIZON GLOBAL AMERICAS INC.**, Plymouth, MI (US)

\* cited by examiner

(\*\*) Term: **15 Years**

*Primary Examiner* — Susan E Krakower

*Assistant Examiner* — Jerry Shiuan-Hua Hsu

(21) Appl. No.: **29/614,524**

(74) *Attorney, Agent, or Firm* — McDonald Hopkins LLC

(22) Filed: **Aug. 21, 2017**

(51) **LOC (13) Cl.** ..... **12-16**

(52) **U.S. Cl.**  
USPC ..... **D12/162**

(58) **Field of Classification Search**  
USPC ..... D12/400, 199, 159, 160, 161, 162  
CPC ... B60D 1/58; B60D 1/00; B60D 1/02; B60D 1/145; B60D 1/06; B60D 1/065; B60D 1/60

See application file for complete search history.

(56) **References Cited**

U.S. PATENT DOCUMENTS

5,857,693 A \* 1/1999 Clark, Jr. .... B60D 1/06  
280/415.1  
D526,602 S \* 8/2006 Sparkes ..... D12/162  
D609,139 S \* 2/2010 Luckey ..... D12/162

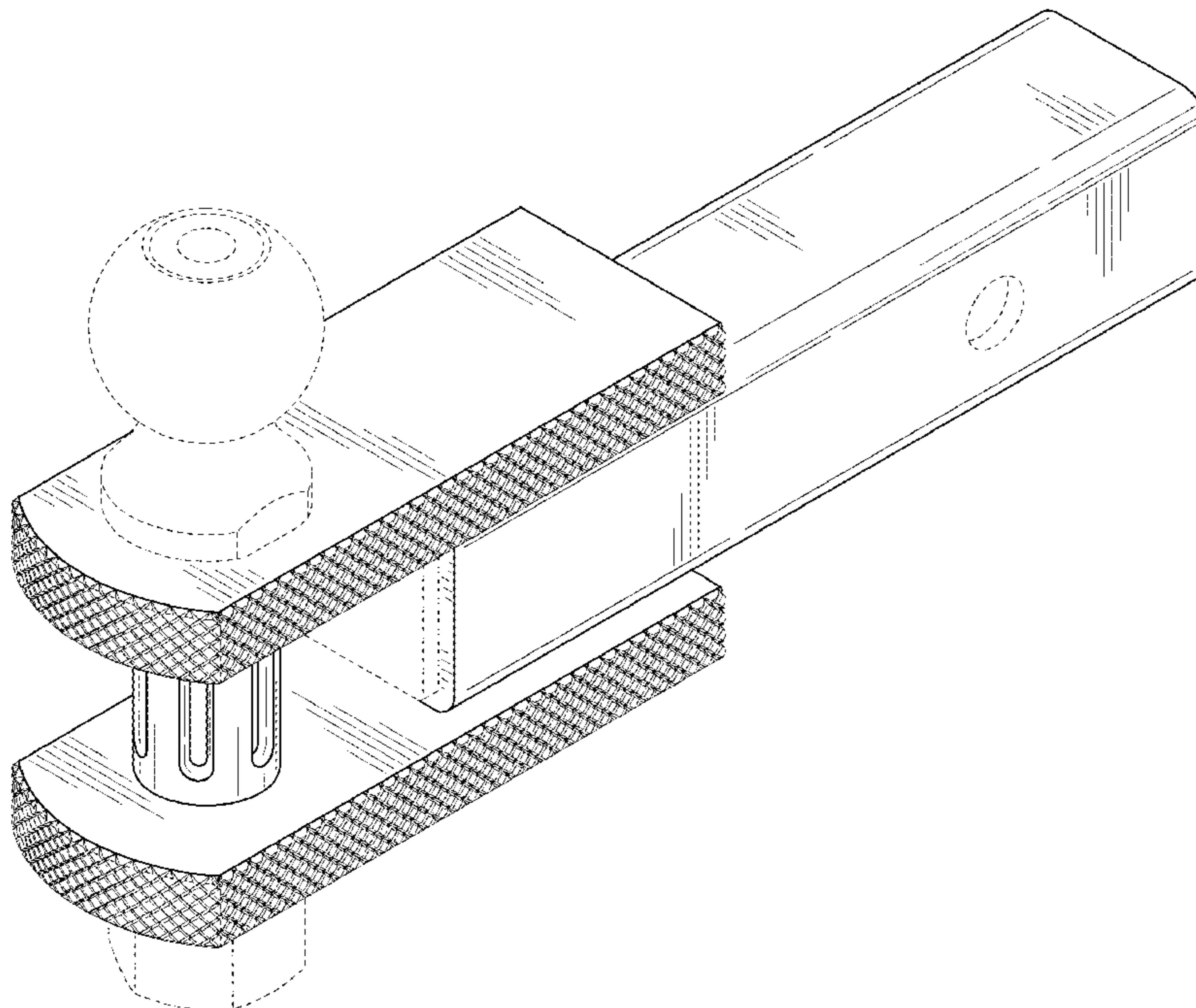
(57) **CLAIM**

The ornamental design for a clevis and hitch ball mount assembly, as shown and described.

**DESCRIPTION**

FIG. 1 is a perspective view of a clevis and hitch ball mount assembly showing our new design;  
FIG. 2 is a right side elevation view thereof;  
FIG. 3 is a left side elevation view thereof;  
FIG. 4 is a rear elevation view thereof;  
FIG. 5 is a front elevation view thereof;  
FIG. 6 is a top plan view thereof; and,  
FIG. 7 is a bottom plan view thereof.  
The broken lines in the figures are included for the purpose of illustrating portions of a clevis and hitch ball mount assembly and form no part of the claimed design.

**1 Claim, 5 Drawing Sheets**



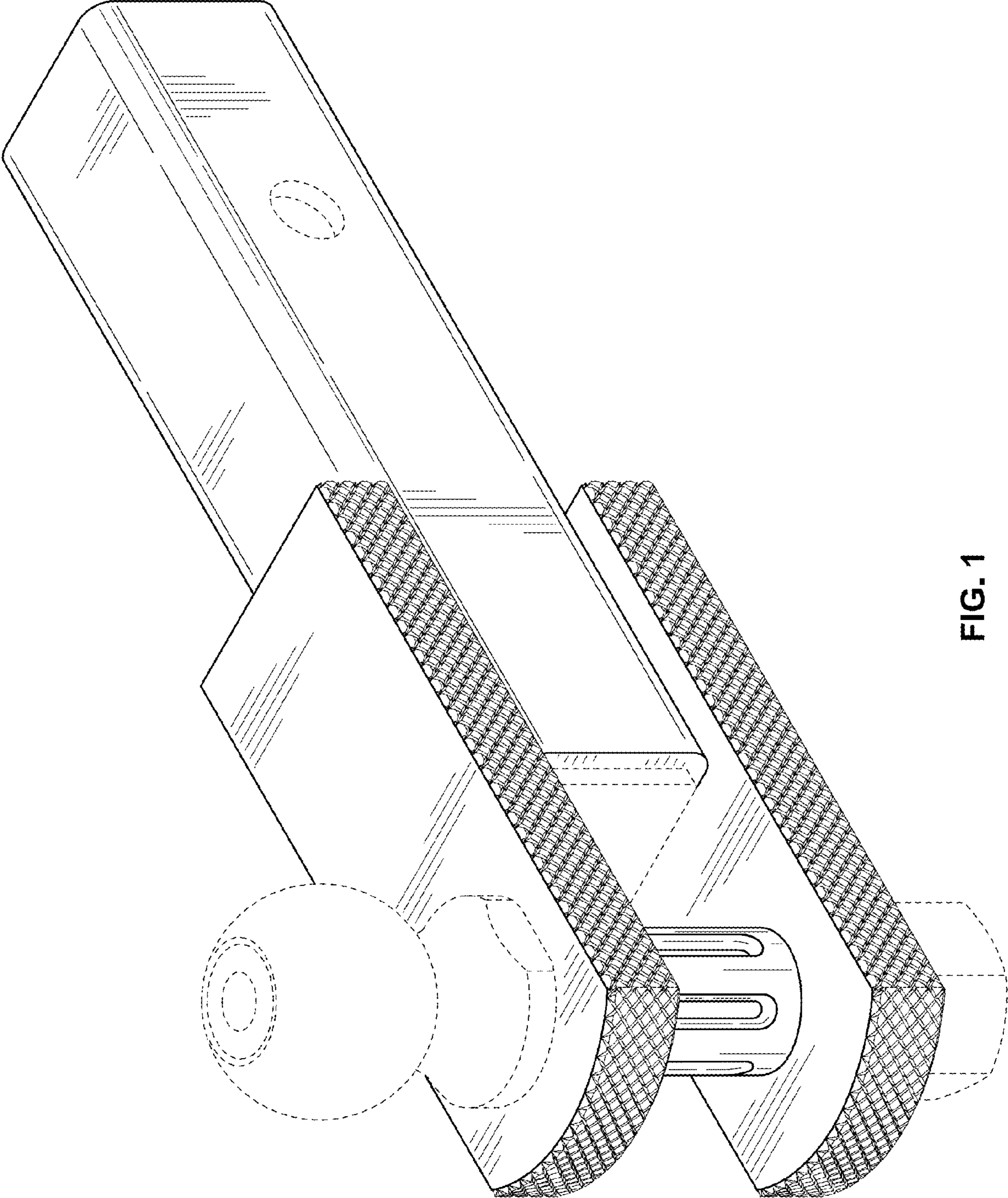


FIG. 1

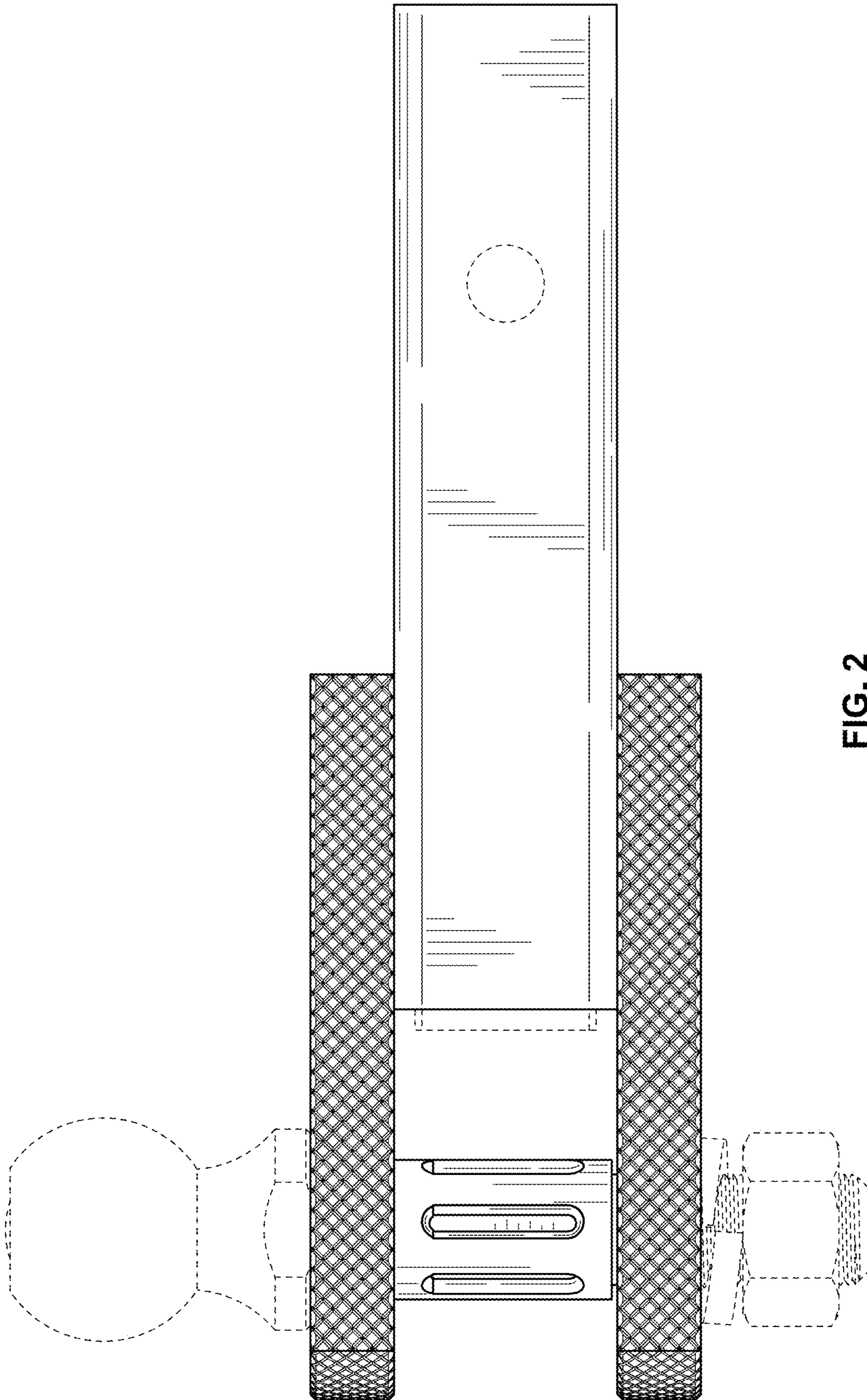


FIG. 2

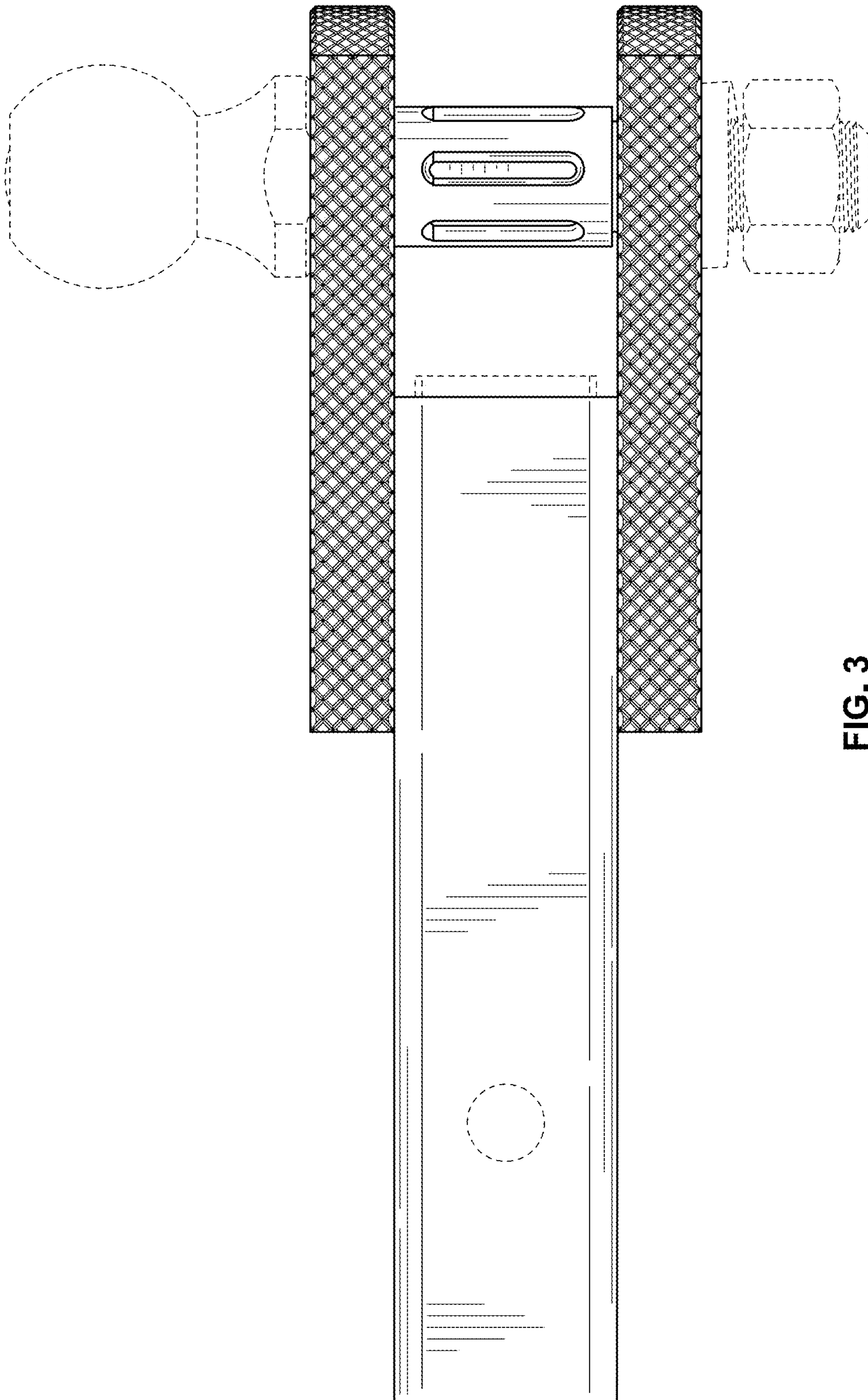


FIG. 3

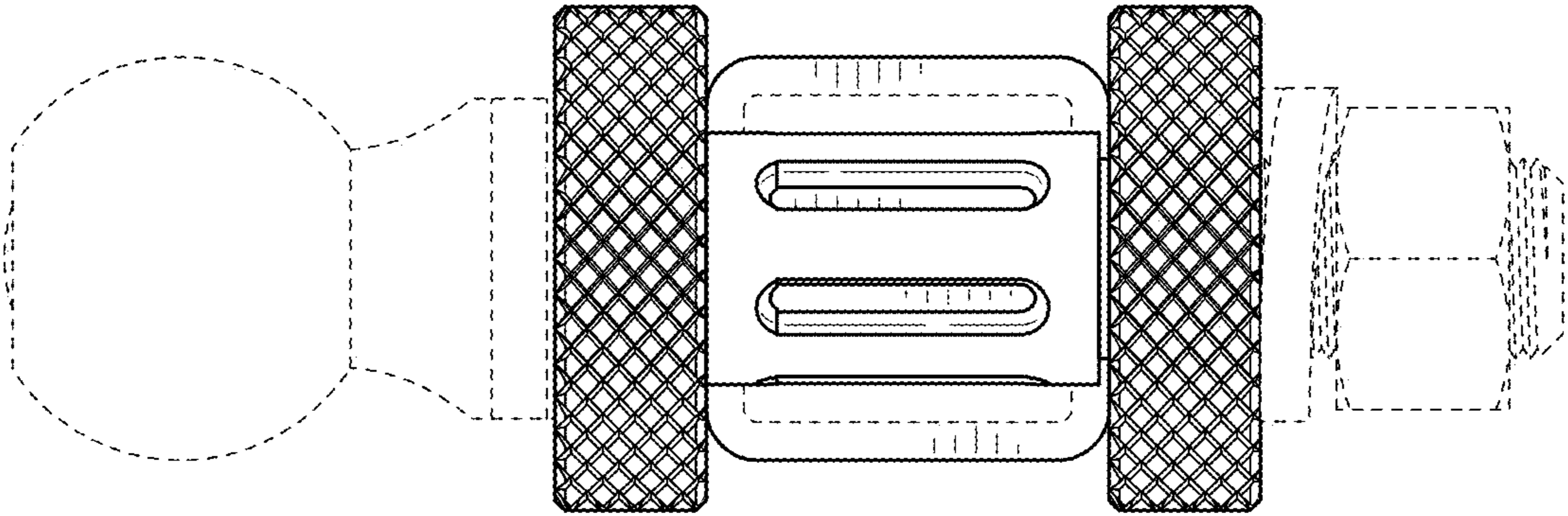


FIG. 5

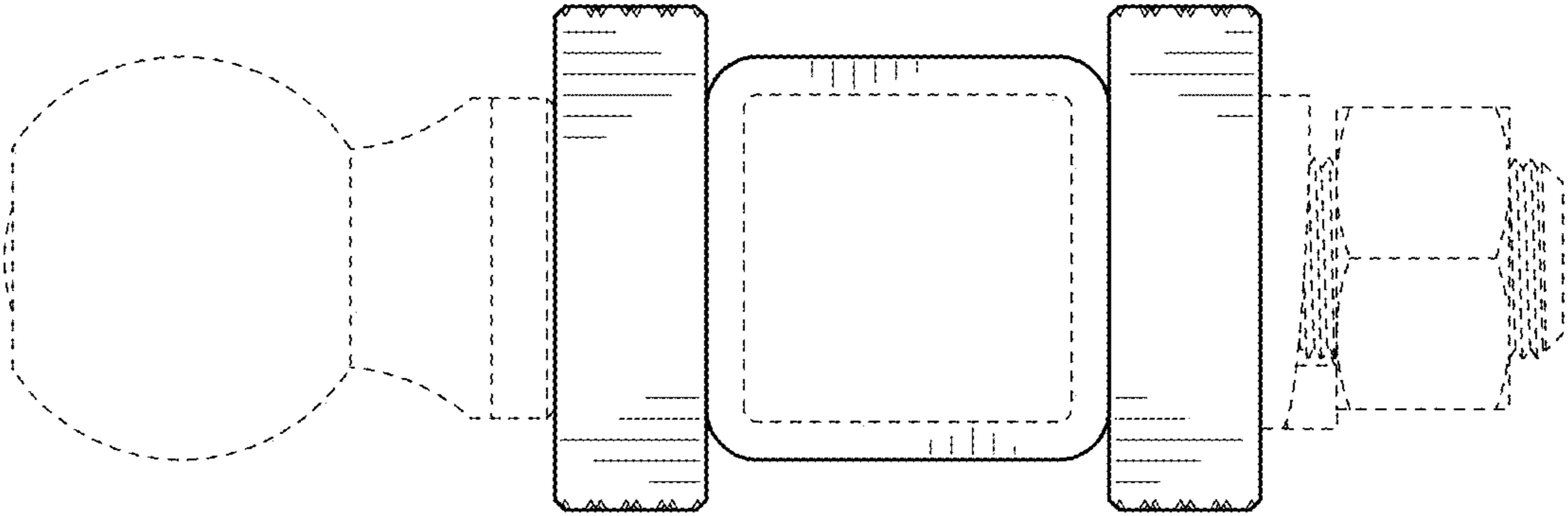


FIG. 4

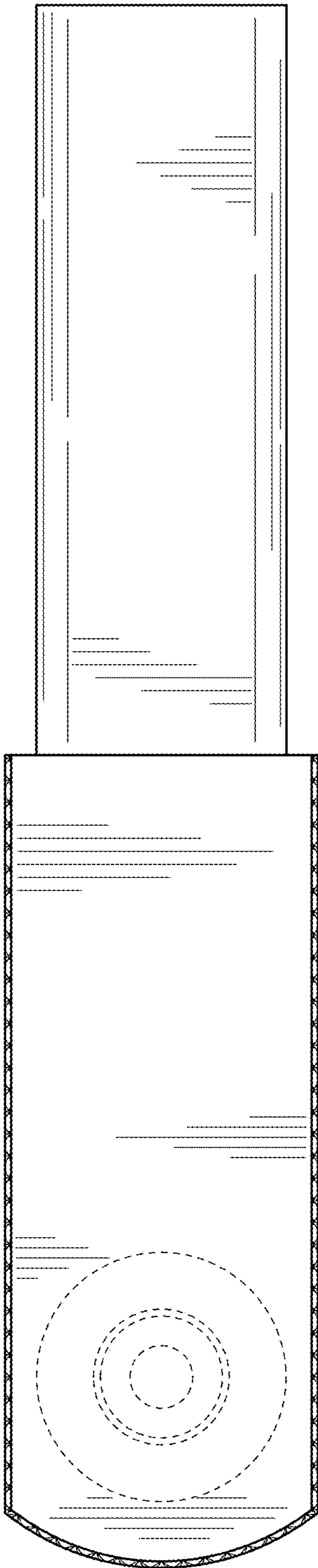


FIG. 6

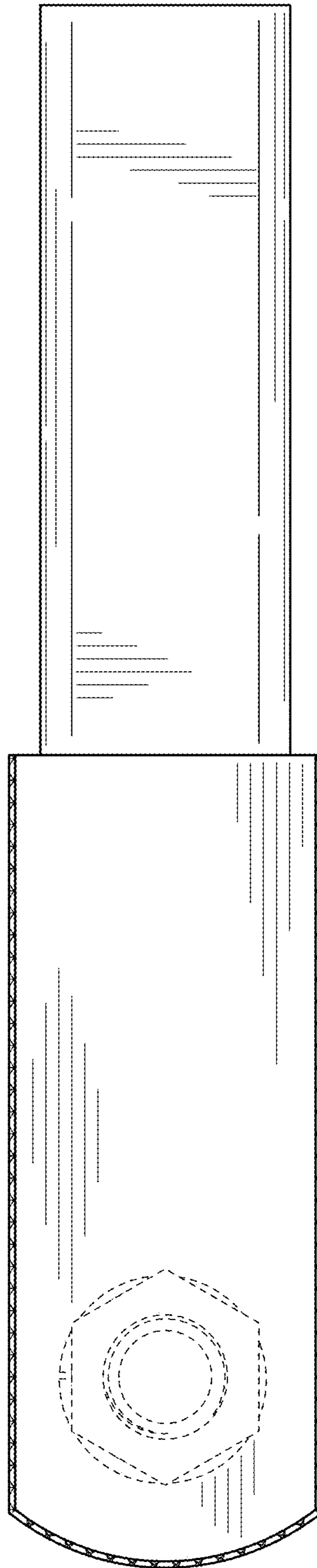


FIG. 7