



US00D909920S

(12) **United States Design Patent** (10) **Patent No.:** **US D909,920 S**
Zhu (45) **Date of Patent:** **** Feb. 9, 2021**

(54) **FOLDING ELECTRIC BICYCLE**

FOREIGN PATENT DOCUMENTS

(71) Applicant: **Zhanyu Zhu**, Changzhou (CN)

CN 201230152880 * 5/2012
CN 201730155172 * 5/2017

(72) Inventor: **Zhanyu Zhu**, Changzhou (CN)

(**) Term: **15 Years**

OTHER PUBLICATIONS

(21) Appl. No.: **29/684,773**

Amazon, Hiking BK Folding Bike, posted Apr. 17, 2018, [online], [visited Sep. 12, 2020]. Internet, <URL: <https://www.amazon.co.uk/Shock-absorbing-Anti-tire-bike-Black-152x115cm-60x45inch/dp/B07C7KVVFQ/ref>> (Year: 2018).*

(22) Filed: **Mar. 23, 2019**

Youtube, Enzo Lite Video Review, posted Dec. 9, 2017, [online], [visited Sep. 12, 2020]. Internet, <URL: <https://www.youtube.com/watch?v=WIDwAXbNy-Y>> (Year: 2017).*

(51) **LOC (13) Cl.** **12-11**

(52) **U.S. Cl.**

USPC **D12/111**

(58) **Field of Classification Search**

USPC D12/111, 107, 114, 117, 118, 119;
D21/419, 424

CPC . B62K 3/00; B62K 3/005; B62K 3/02; B62K 3/04; B62K 11/00; B62K 11/02; B62K 11/10; B62K 11/14; B62K 21/12; B62K 21/16; B62K 21/26; B62K 21/02; B62K 21/04; B62K 21/06; B62K 15/006; B62K 19/02; B62K 19/04; B62K 19/42; B62K 19/08; B62K 25/04; B62K 25/08; B62K 25/16; B62K 25/30

* cited by examiner

Primary Examiner — Sheryl Lane

Assistant Examiner — Samantha N Wood

(74) *Attorney, Agent, or Firm* — Feng Qian

See application file for complete search history.

(57) **CLAIM**

The ornamental design for a folding electric bicycle, as shown and described.

(56) **References Cited**

DESCRIPTION

U.S. PATENT DOCUMENTS

D109,411 S *	4/1938	Manton	D12/117
D417,416 S *	12/1999	Storz	D12/118
D473,495 S *	4/2003	Niitsu	D12/111
D477,549 S *	7/2003	Wu	D12/111
D487,234 S *	3/2004	Chen	D12/111
D494,108 S *	8/2004	Liao	D12/118
D500,465 S *	1/2005	Gunter	D12/111
D547,702 S *	7/2007	Tabuchi	D12/111
D724,497 S *	3/2015	Harness	D12/111
D756,264 S *	5/2016	Thompson	D12/111
D774,980 S *	12/2016	Duehring	D12/111
2012/0292881 A1 *	11/2012	Chong	B62K 3/00 280/281.1
2014/0097594 A1 *	4/2014	Barchek	B62K 9/02 280/287

FIG. 1 is a front perspective view of a folding electric bike showing my new design;

FIG. 2 is a left-side elevation view thereof;

FIG. 3 is a right-side elevation view thereof;

FIG. 4 is a front elevation view thereof;

FIG. 5 is a rear elevation view thereof;

FIG. 6 is a top plan view thereof; and,

FIG. 7 is a rear perspective view thereof, wherein the bicycle is shown in an alternate configuration with its head tube and frame tube entirely folded.

The broken lines in the drawings illustrate portions of the folding electric bicycle that form no part of the claimed design.

1 Claim, 6 Drawing Sheets



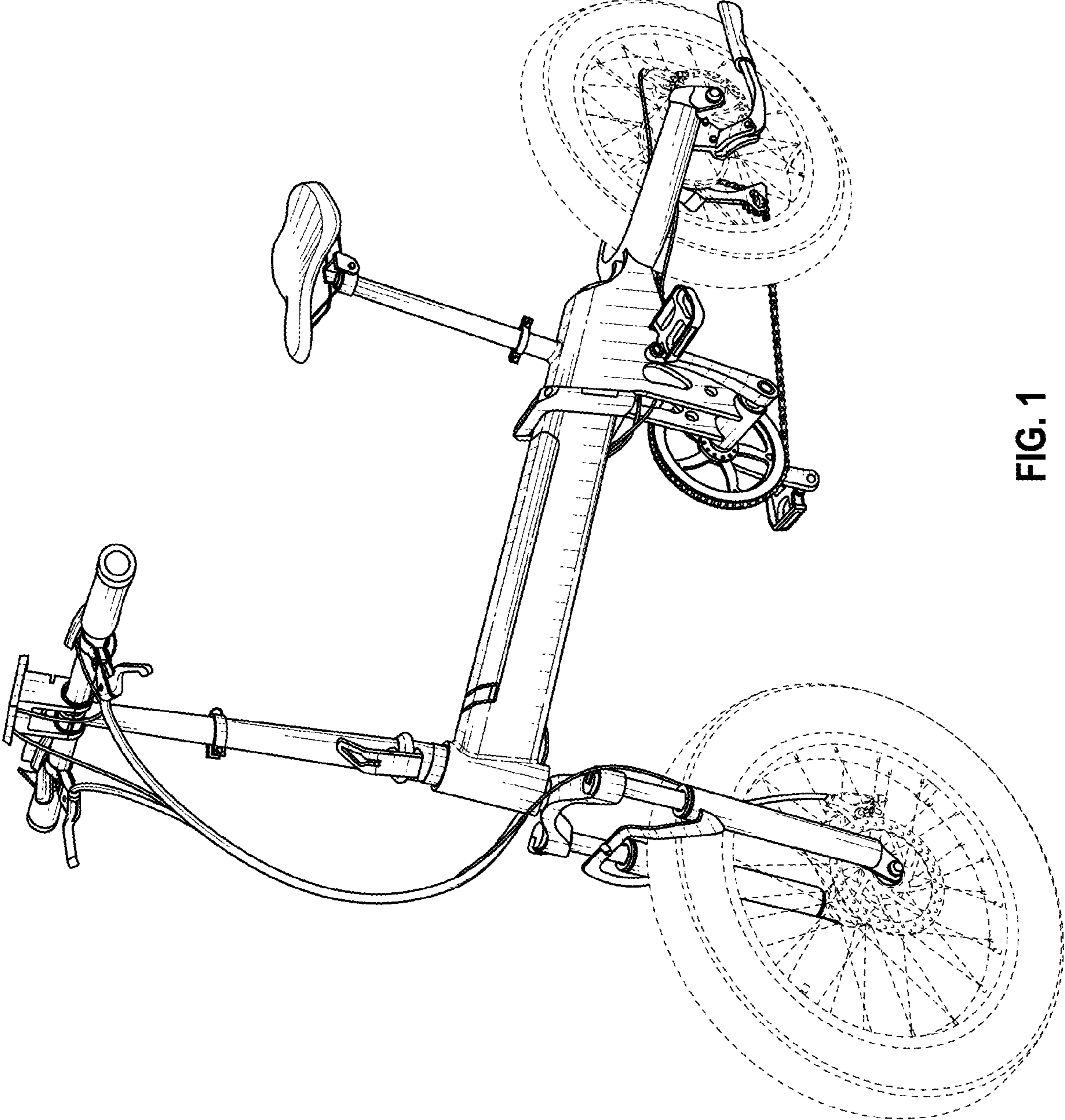


FIG. 1

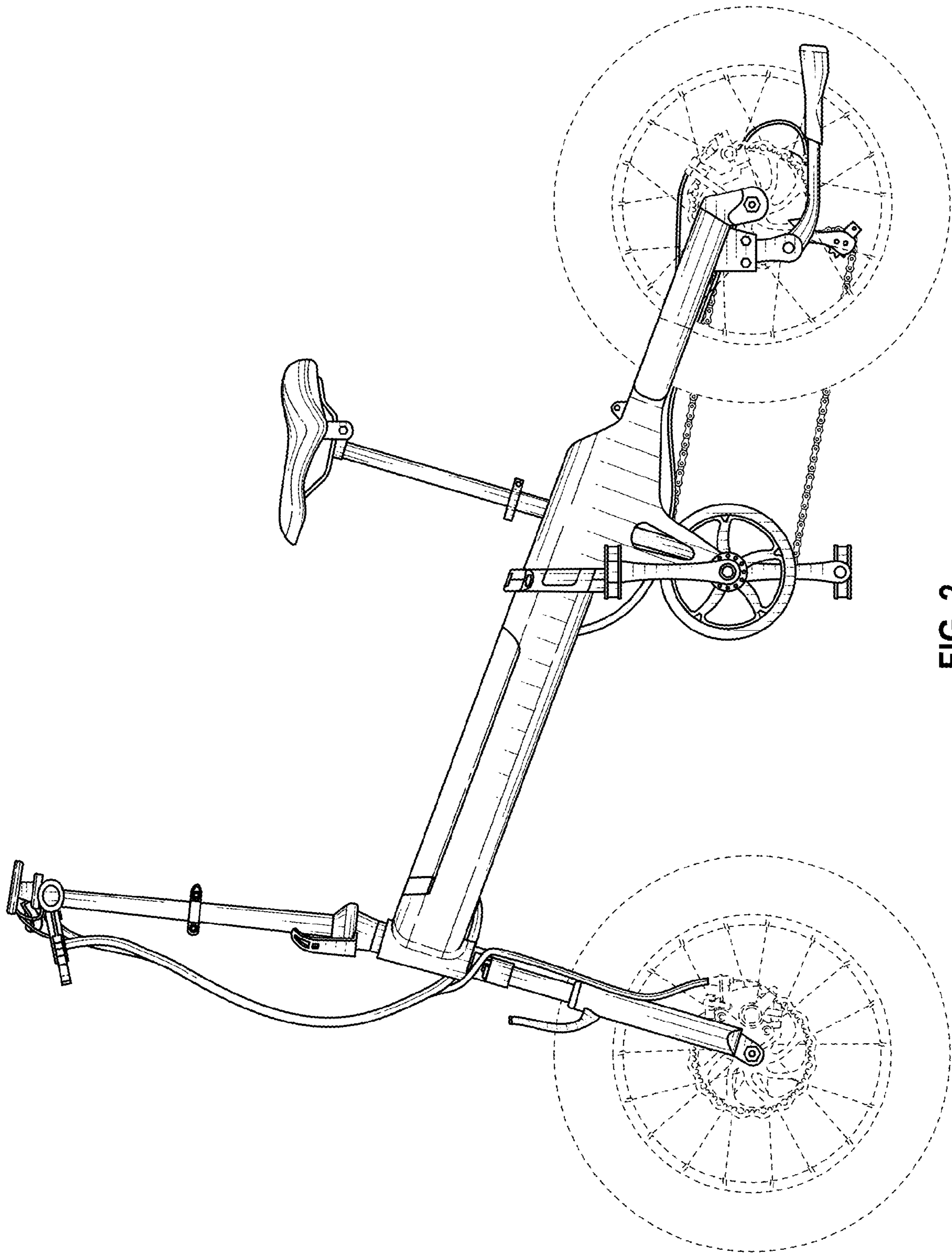


FIG. 2

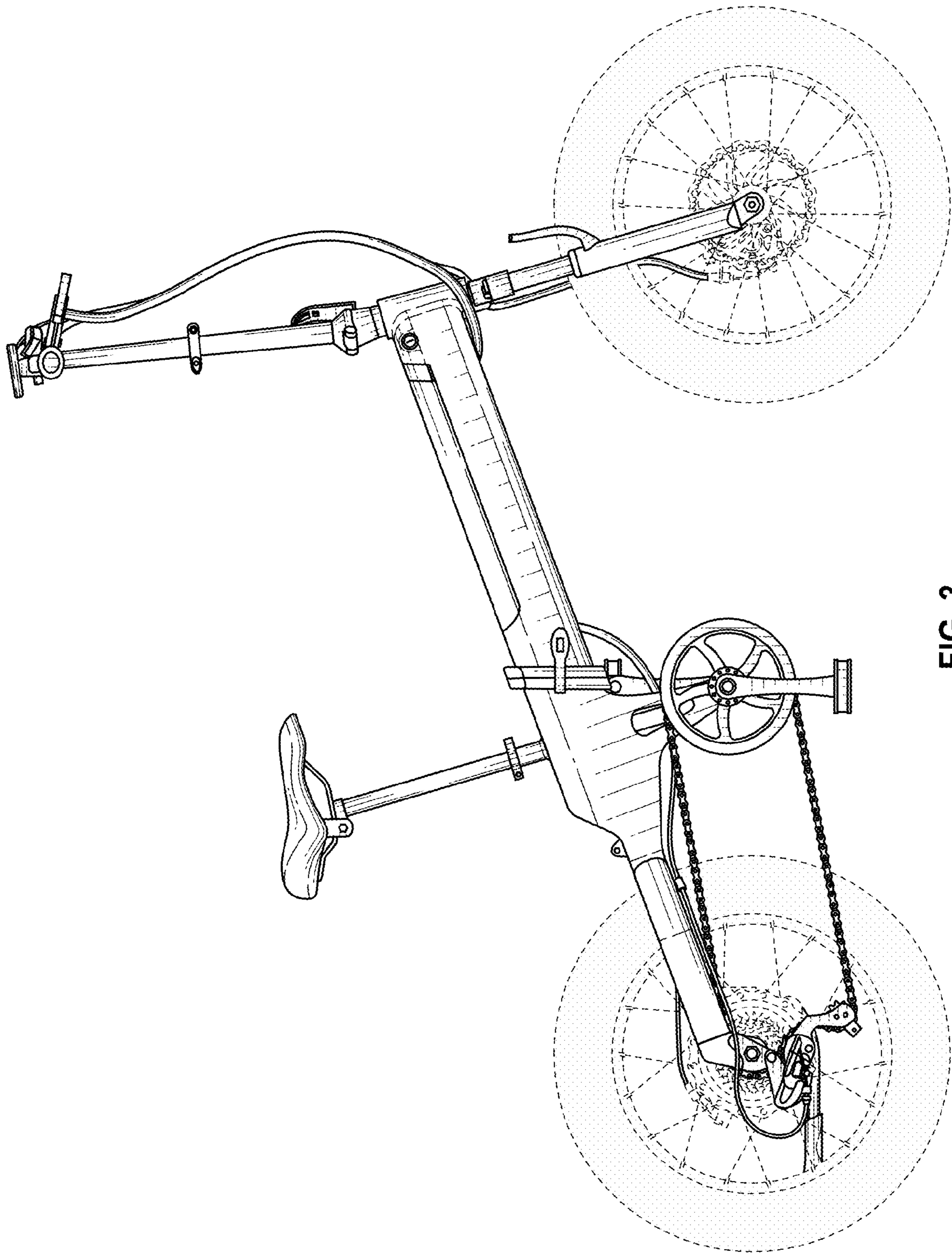


FIG. 3

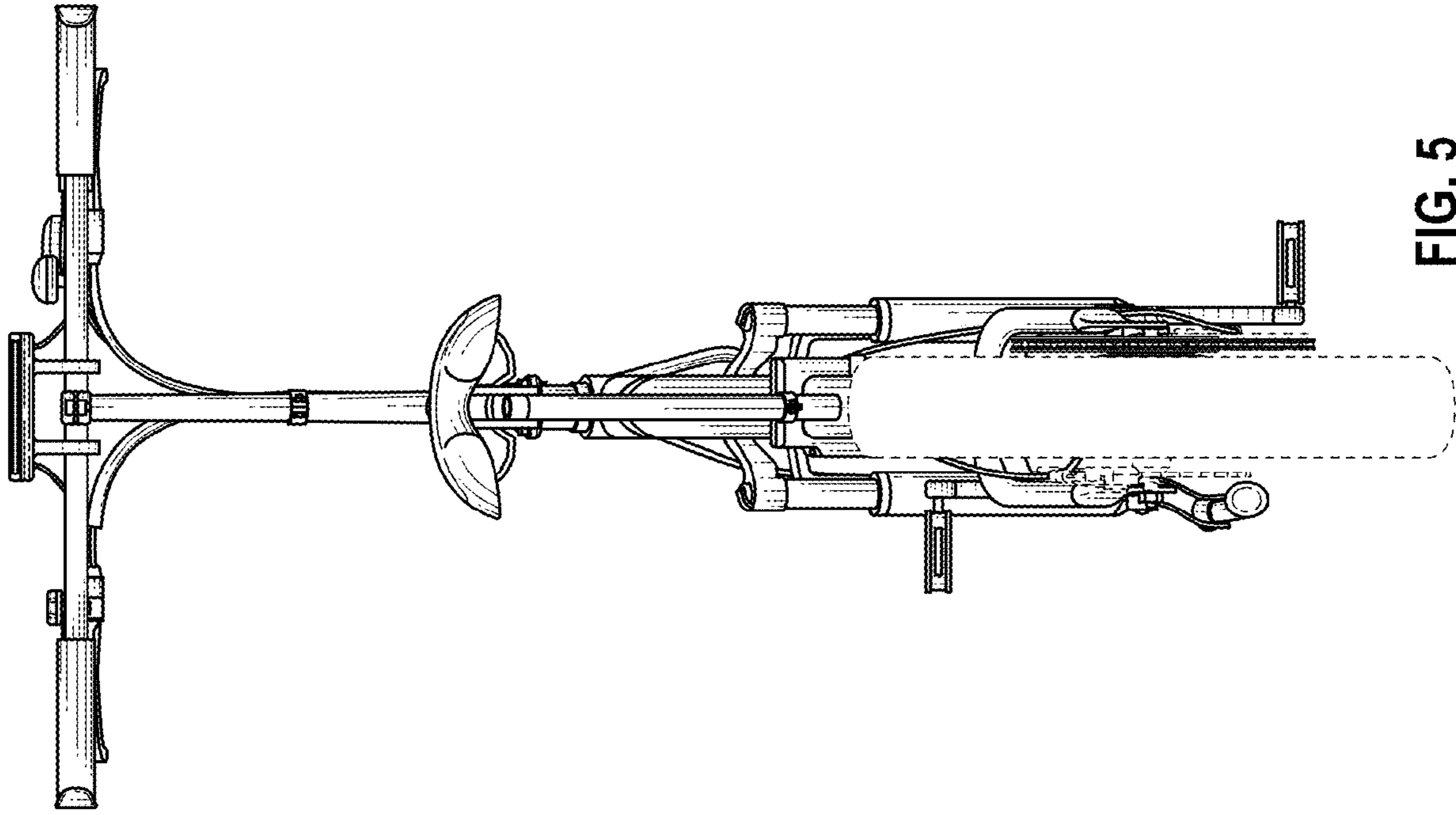


FIG. 5

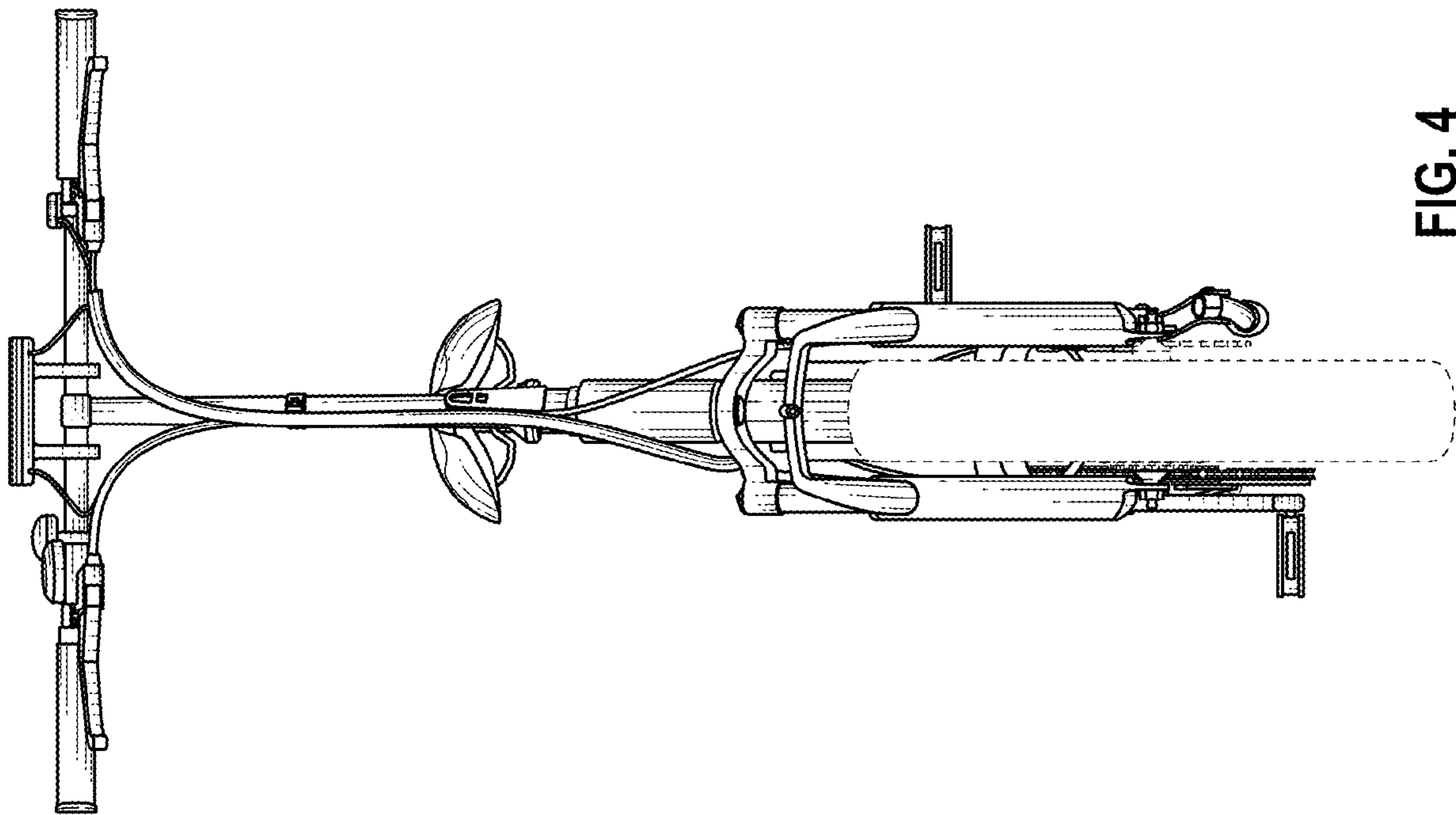


FIG. 4

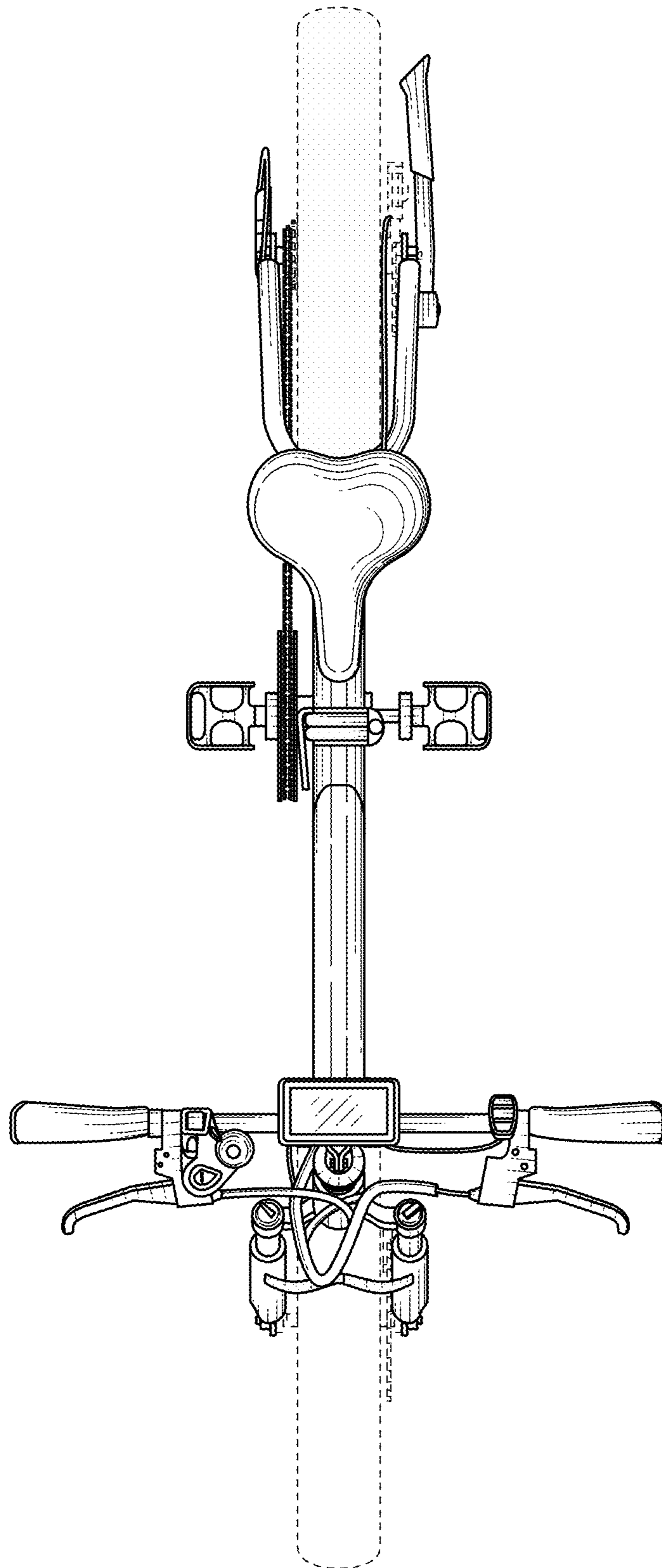


FIG. 6

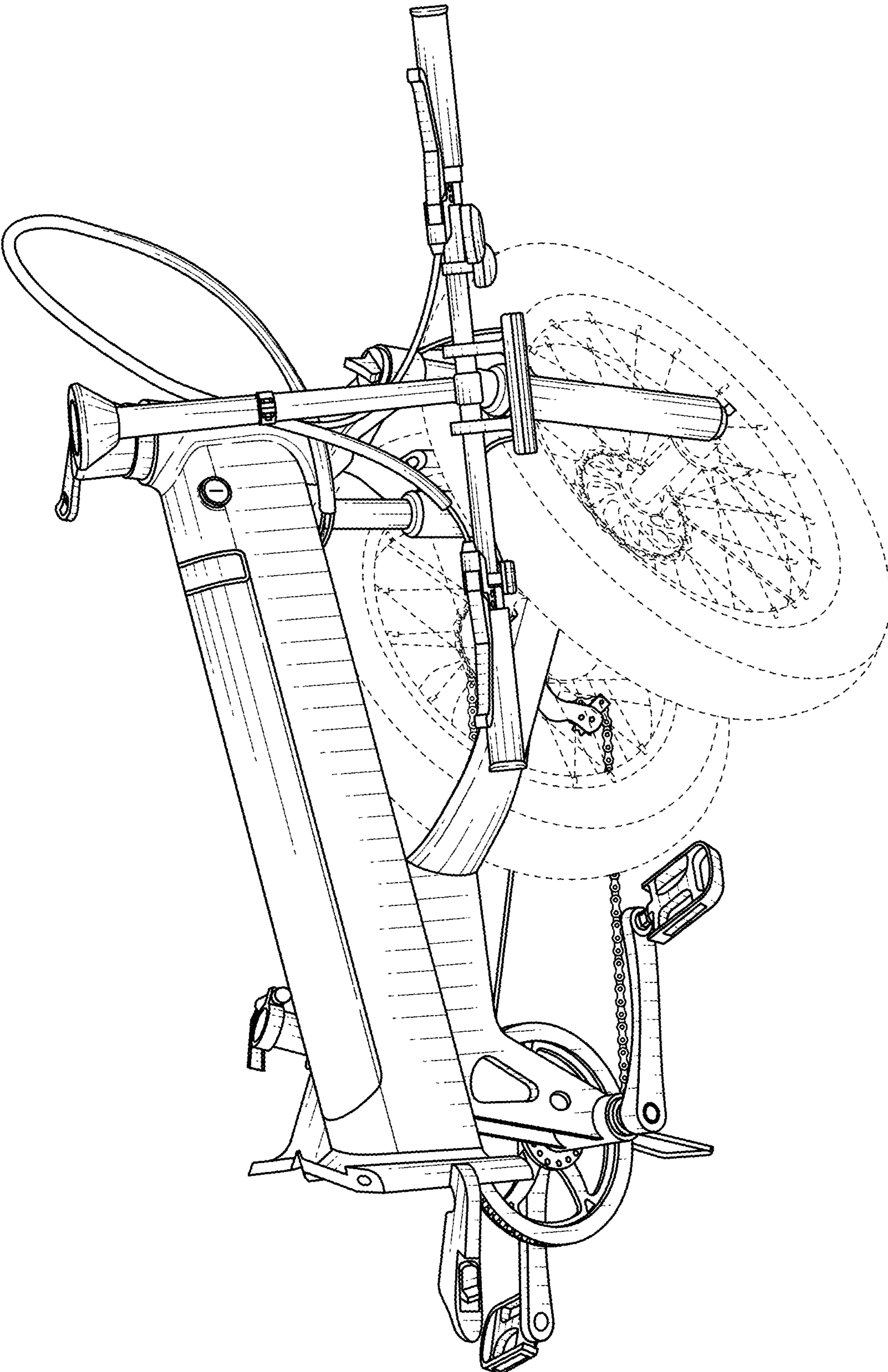


FIG. 7