



US00D909915S

(12) **United States Design Patent** (10) **Patent No.:** **US D909,915 S**
Gouzin (45) **Date of Patent:** **** Feb. 9, 2021**

(54) **MOTOR VEHICLE**

(71) Applicant: **EXTREME E LTD**, London (GB)

(72) Inventor: **Théophile Gouzin**, Tigery (FR)

(**) Term: **15 Years**

(21) Appl. No.: **35/508,129**

(22) Filed: **Oct. 31, 2019**

(80) **Hague Agreement Data**

Int. Filing Date: **Oct. 31, 2019**

Int. Reg. No.: **DM/204519**

Int. Reg. Date: **Oct. 31, 2019**

Int. Reg. Pub. Date: **Dec. 13, 2019**

(51) **LOC (13) Cl.** **12-08**

(52) **U.S. Cl.**
USPC **D12/91**

(58) **Field of Classification Search**
USPC D12/82-92; D21/548, 549, 550, 552
CPC B62D 25/00; B62D 31/00; B62D 39/00
See application file for complete search history.

(56) **References Cited**

U.S. PATENT DOCUMENTS

5,251,713 A *	10/1993	Enokimoto	B60K 11/04
D605,977 S *	12/2009	Zipfel	D12/91
D760,120 S *	6/2016	Leyrikh	D12/12
D816,551 S *	5/2018	Leyrikh	D12/87

* cited by examiner

Primary Examiner — George D. Kirschbaum

Assistant Examiner — Joseph J Kukella

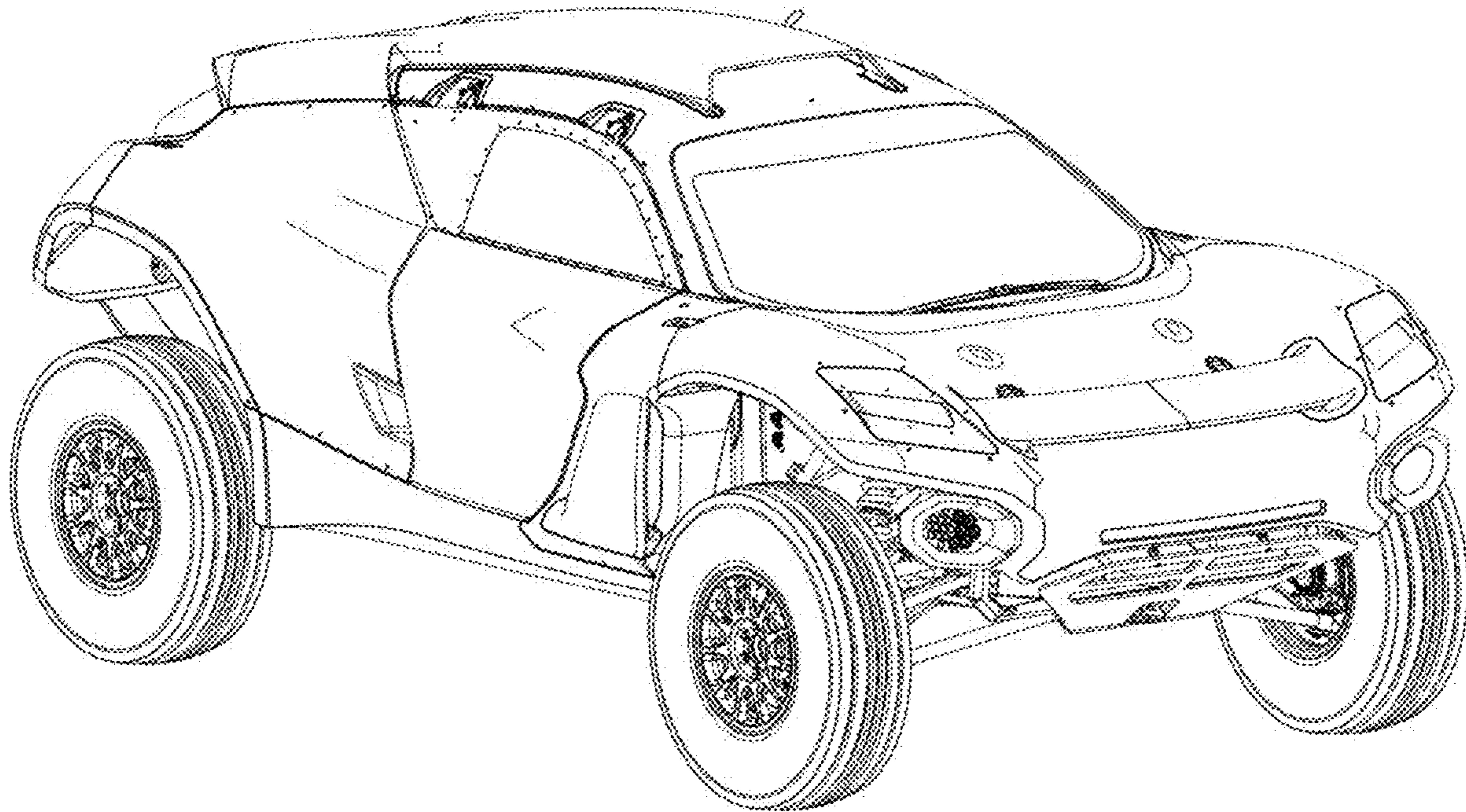
(57) **CLAIM**

The ornamental design for a motor vehicle, as shown and described.

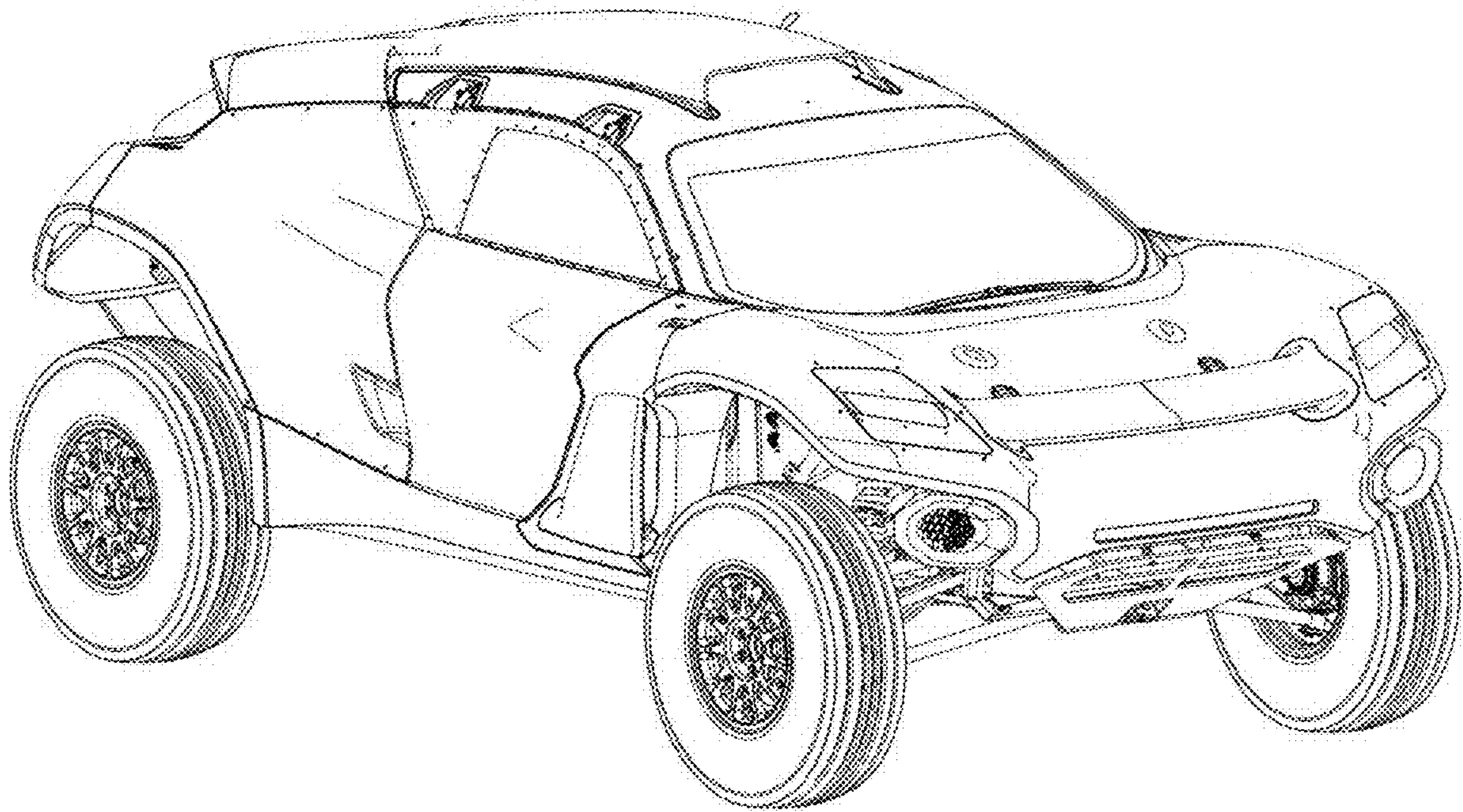
DESCRIPTION

- 1. Motor vehicle
- 1.1 : Perspective
- 1.2 : Front
- 1.3 : Back
- 1.4 : Left
- 1.5 : Right
- 1.6 : Top

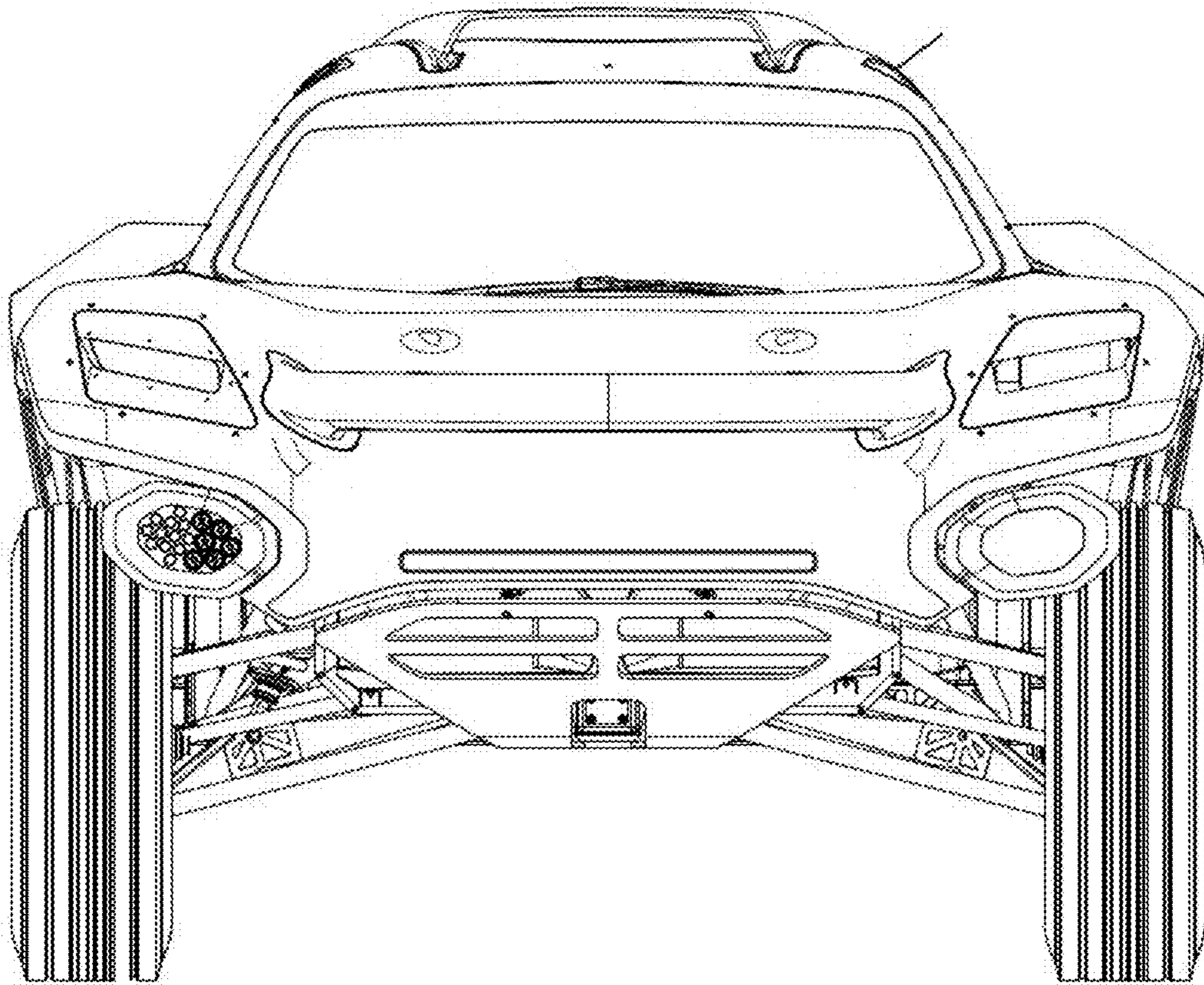
1 Claim, 6 Drawing Sheets



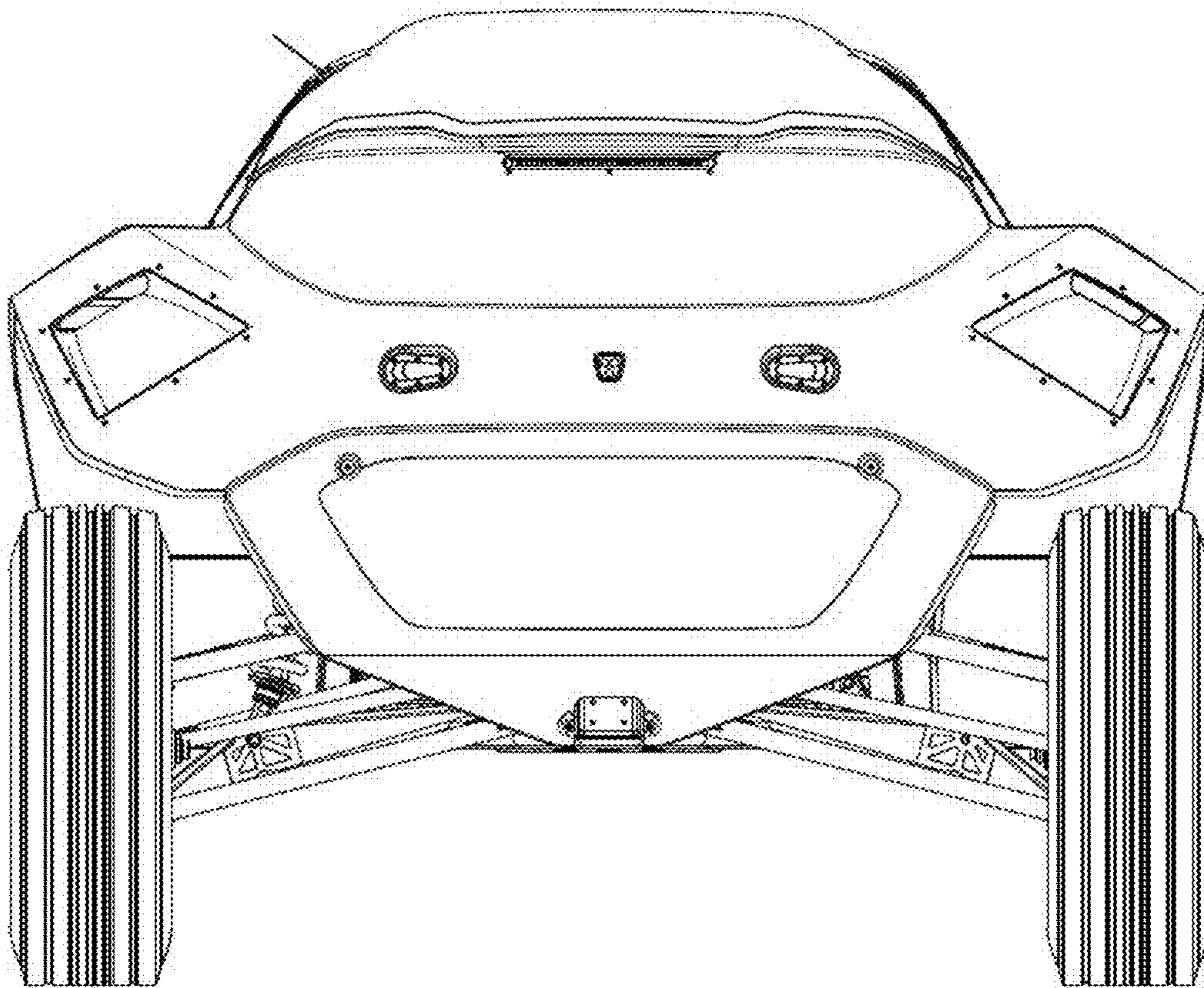
1.1



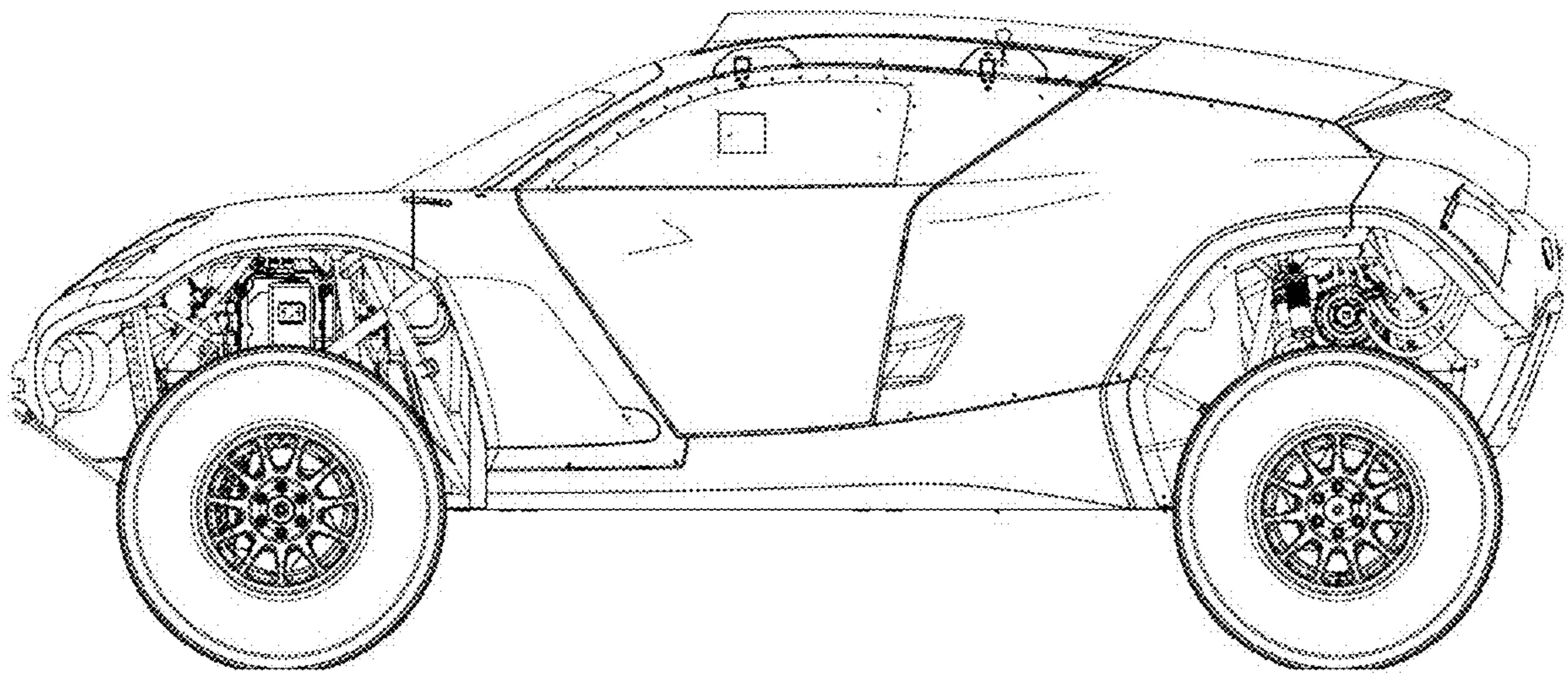
1.2



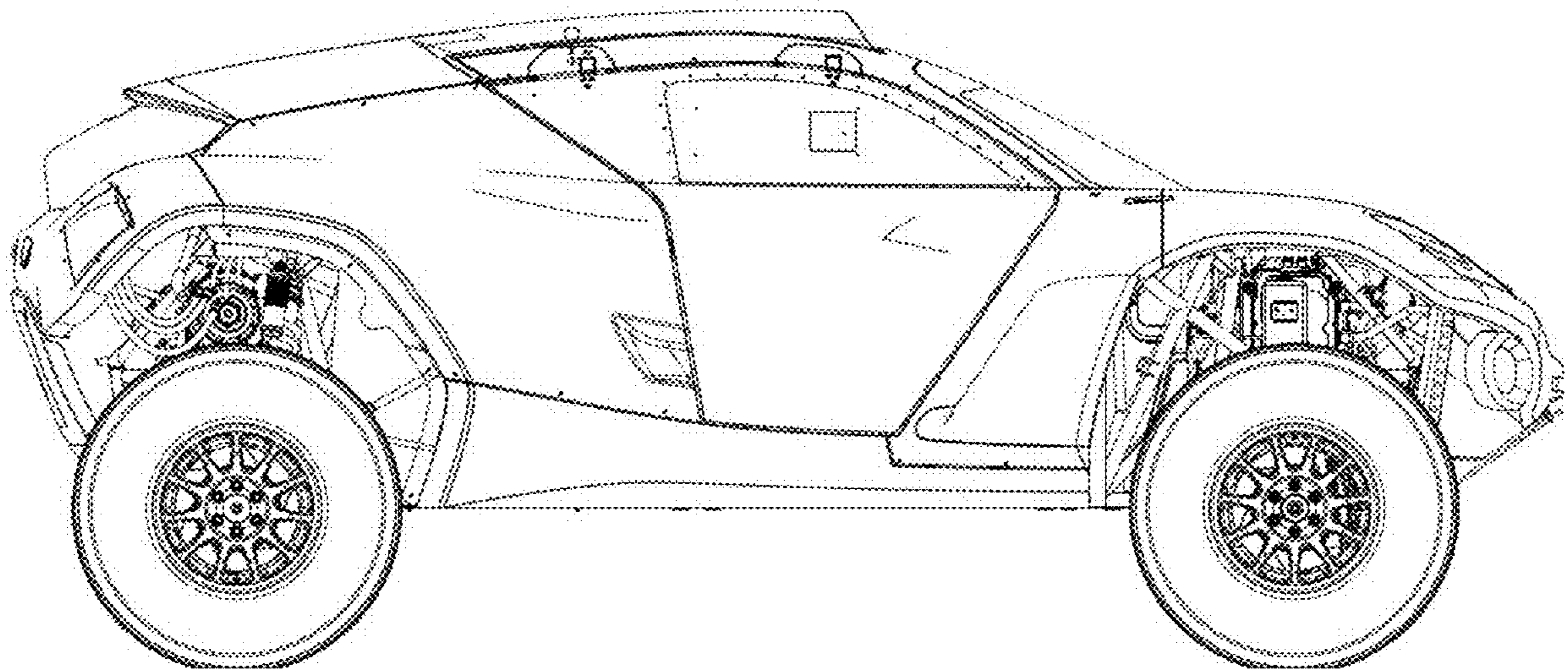
1.3



1.4



1.5



1.6

