



US00D909911S

(12) **United States Design Patent** (10) **Patent No.:** **US D909,911 S**  
**Kries et al.** (45) **Date of Patent:** **\*\* Feb. 9, 2021**

(54) **RAILCAR FOLLOWER**  
(71) Applicants: **Andy R. Kries**, Elgin, IL (US); **Erich A. Schoedl**, Sugar Grove, IL (US); **Bradley J. Haymond**, North Aurora, IL (US)

D26,586 S \* 2/1897 Steinbrenner ..... D12/48  
D26,941 S \* 4/1897 Vissering ..... D12/48  
D527,763 S \* 9/2006 Steinmetz ..... 347/86  
D781,179 S \* 3/2017 Schoedl ..... D12/42  
D857,554 S \* 8/2019 Schoedl ..... D12/47

\* cited by examiner

(72) Inventors: **Andy R. Kries**, Elgin, IL (US); **Erich A. Schoedl**, Sugar Grove, IL (US); **Bradley J. Haymond**, North Aurora, IL (US)

*Primary Examiner* — Michael A. Pratt  
*Assistant Examiner* — Adam C Mager  
(74) *Attorney, Agent, or Firm* — Law Office of John W. Harbst

(73) Assignee: **Miner Enterprises, Inc.**, Geneva, IL (US)

(57) **CLAIM**

The ornamental design for a railcar follower, as shown and described.

(\*\*) Term: **15 Years**

**DESCRIPTION**

(21) Appl. No.: **29/683,073**

(22) Filed: **Mar. 11, 2019**

(51) **LOC (13) Cl.** ..... **12-03**

(52) **U.S. Cl.**  
USPC ..... **D12/48**

(58) **Field of Classification Search**  
USPC ..... D12/36, 37, 40, 42, 48, 51; D1/100;  
D18/56; D21/484-485; D25/113-118;  
D28/8.1; D32/40  
CPC ..... B60L 2200/26; B29C 66/82263; E05Y  
2900/51; E05F 15/565; B61D 19/02;  
B60N 5/00; B61C 3/00; B61C 7/00;  
E01B 3/00

See application file for complete search history.

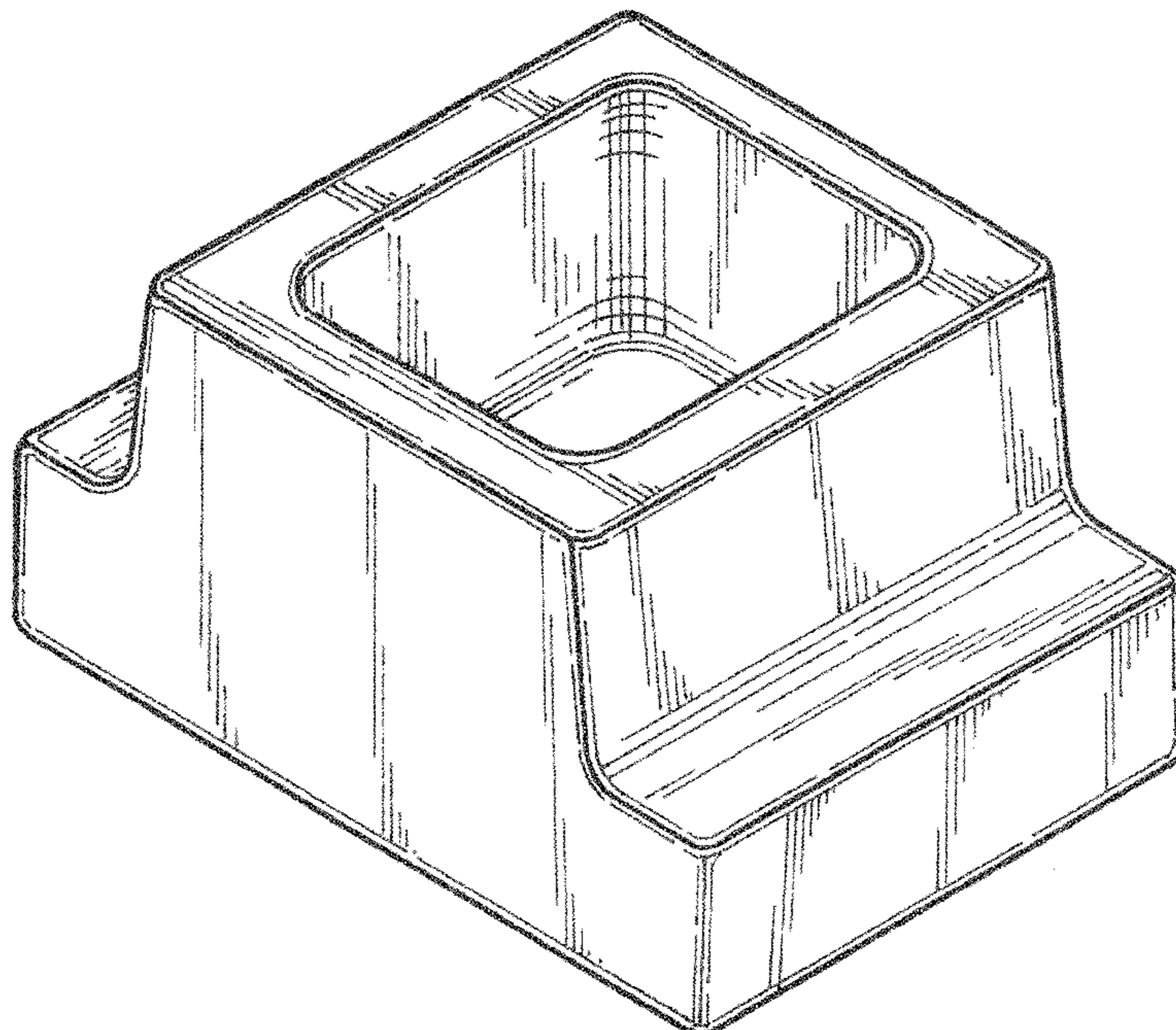
FIG. 1 is a top side perspective view of one form of a railcar follower showing our new design;  
FIG. 2 is a front elevational view thereof;  
FIG. 3 is a sectional view thereof taken along line 3-3 of FIG. 2;  
FIG. 4 is top plan view thereof; with the bottom plan view being a mirror image thereof;  
FIG. 5 is a rear elevational view thereof;  
FIG. 6 is a right side elevational view thereof, with the left side elevational view being a mirror image thereof;  
FIG. 7 is a top side perspective view of another form of a railcar follower showing our new design;  
FIG. 8 is a front elevational view thereof;  
FIG. 9 is a sectional view taken along line 9-9 of FIG. 8;  
FIG. 10 is top plan view thereof; with the bottom plan view being a mirror image thereof;  
FIG. 11 is a rear elevational view thereof; and,  
FIG. 12 is a right side elevational view thereof; with the left side elevational view being a mirror image thereof.

(56) **References Cited**

U.S. PATENT DOCUMENTS

D25,957 S \* 8/1896 Steinbrenner ..... D12/48  
D26,470 S \* 12/1896 Marshall ..... D12/48

**1 Claim, 12 Drawing Sheets**



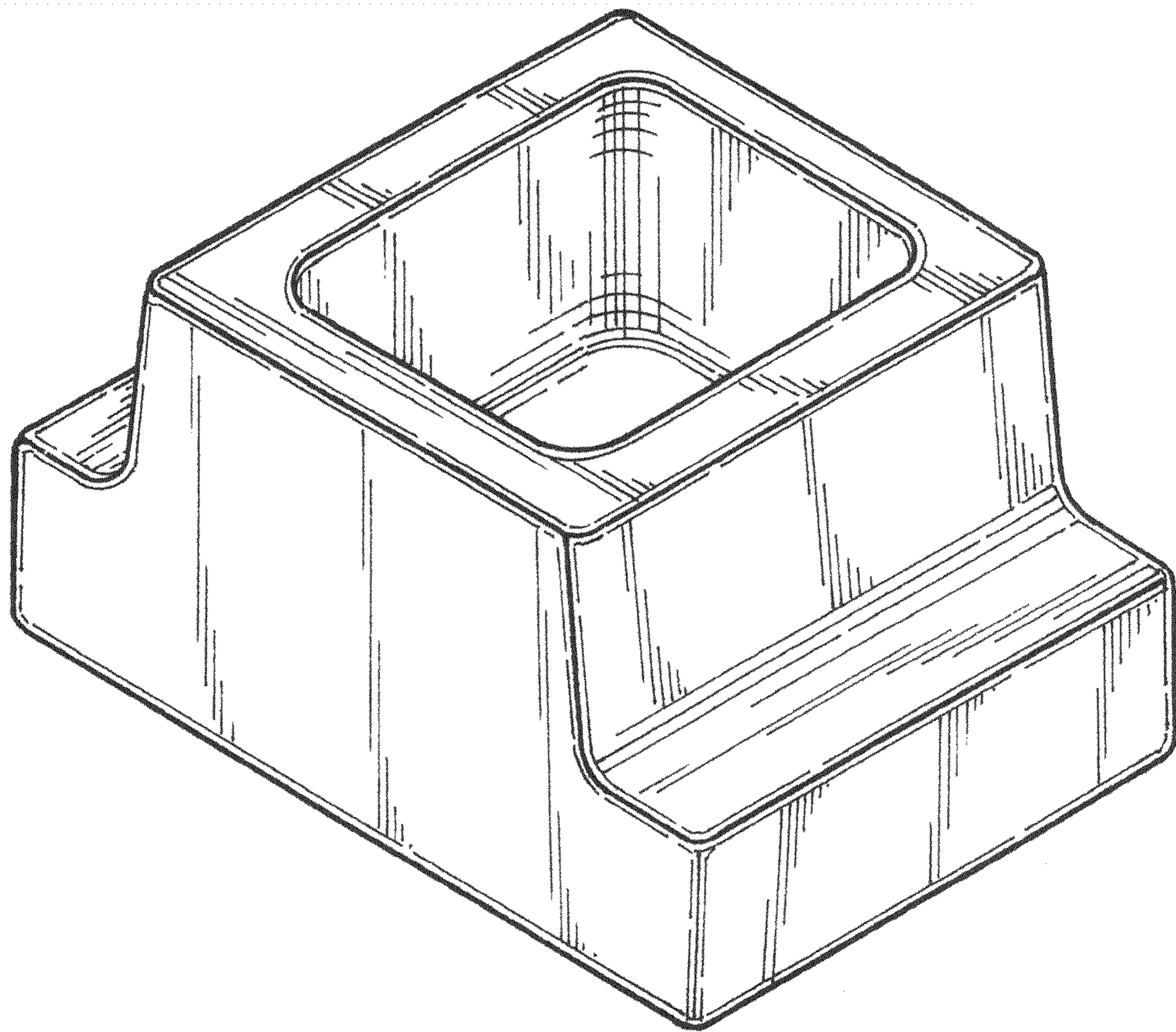


FIG.1



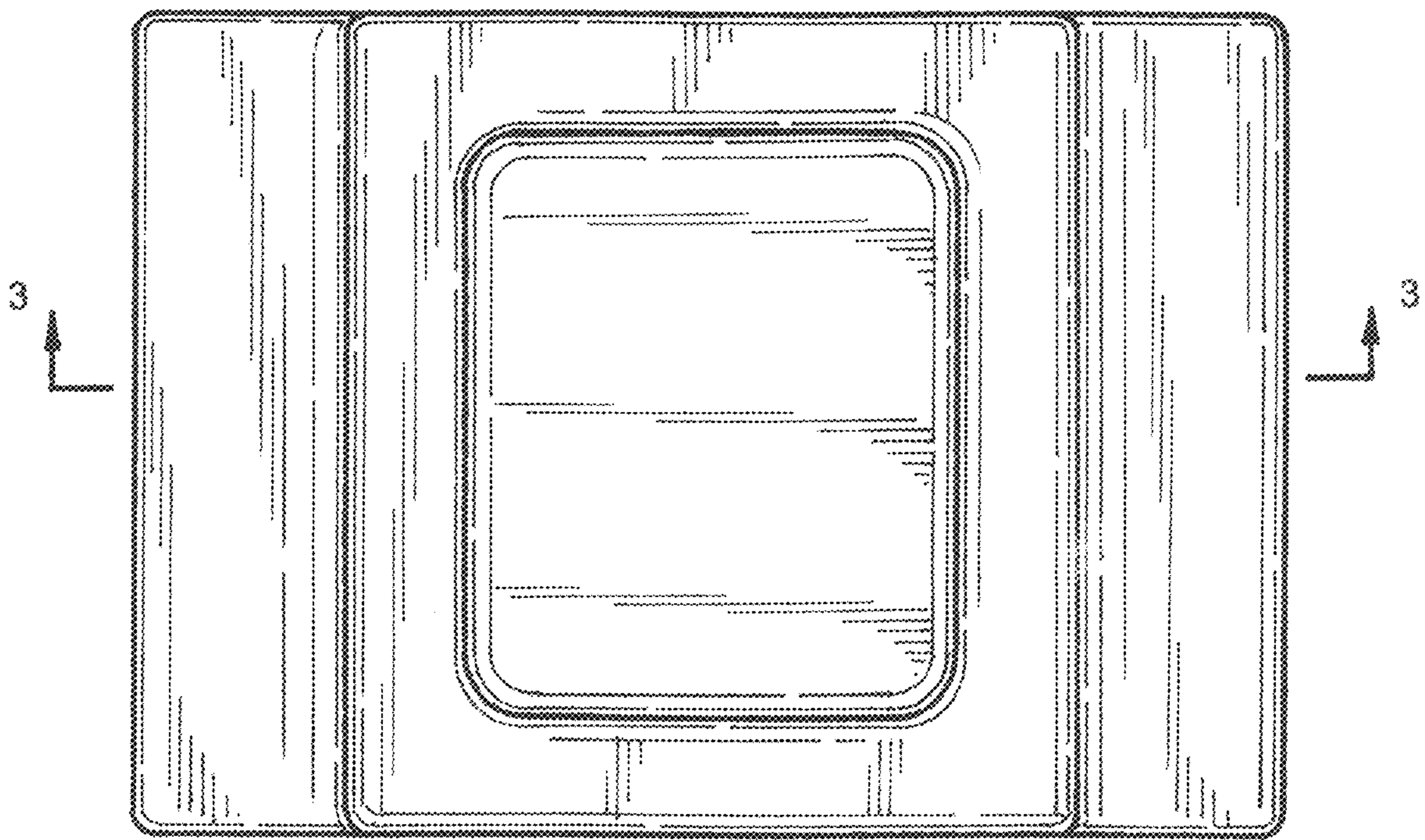


FIG. 2

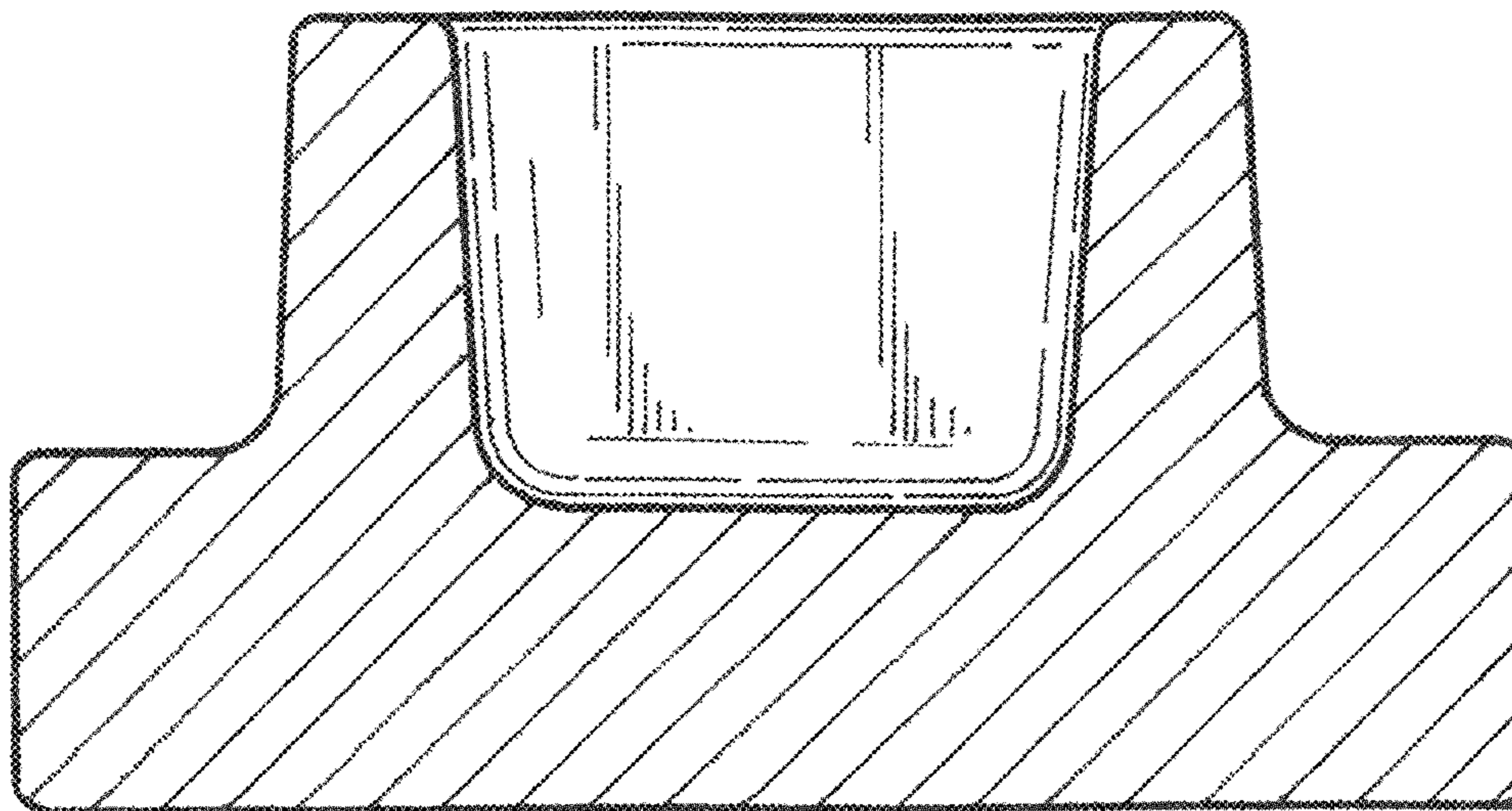


FIG. 3

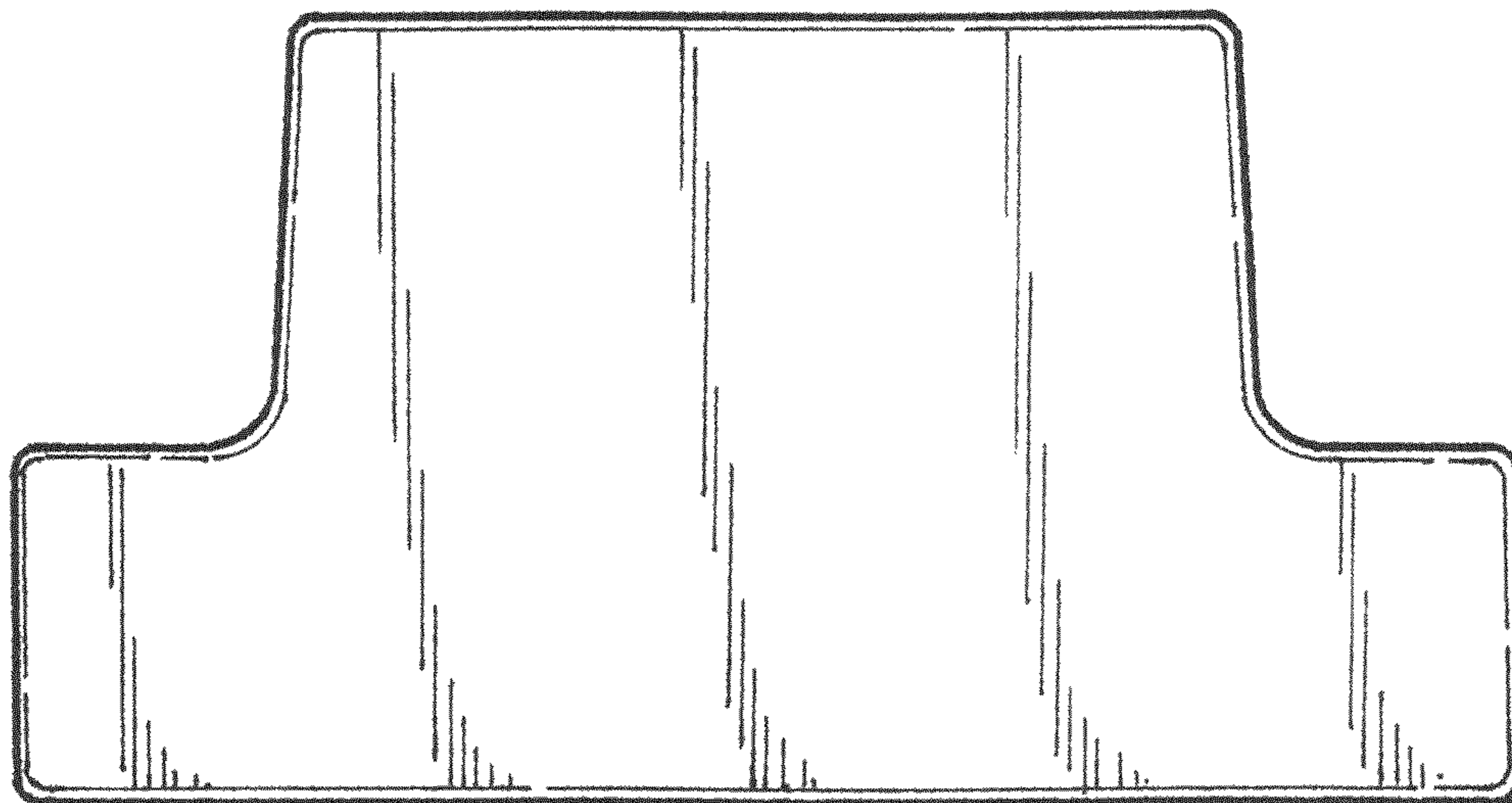


FIG. 4

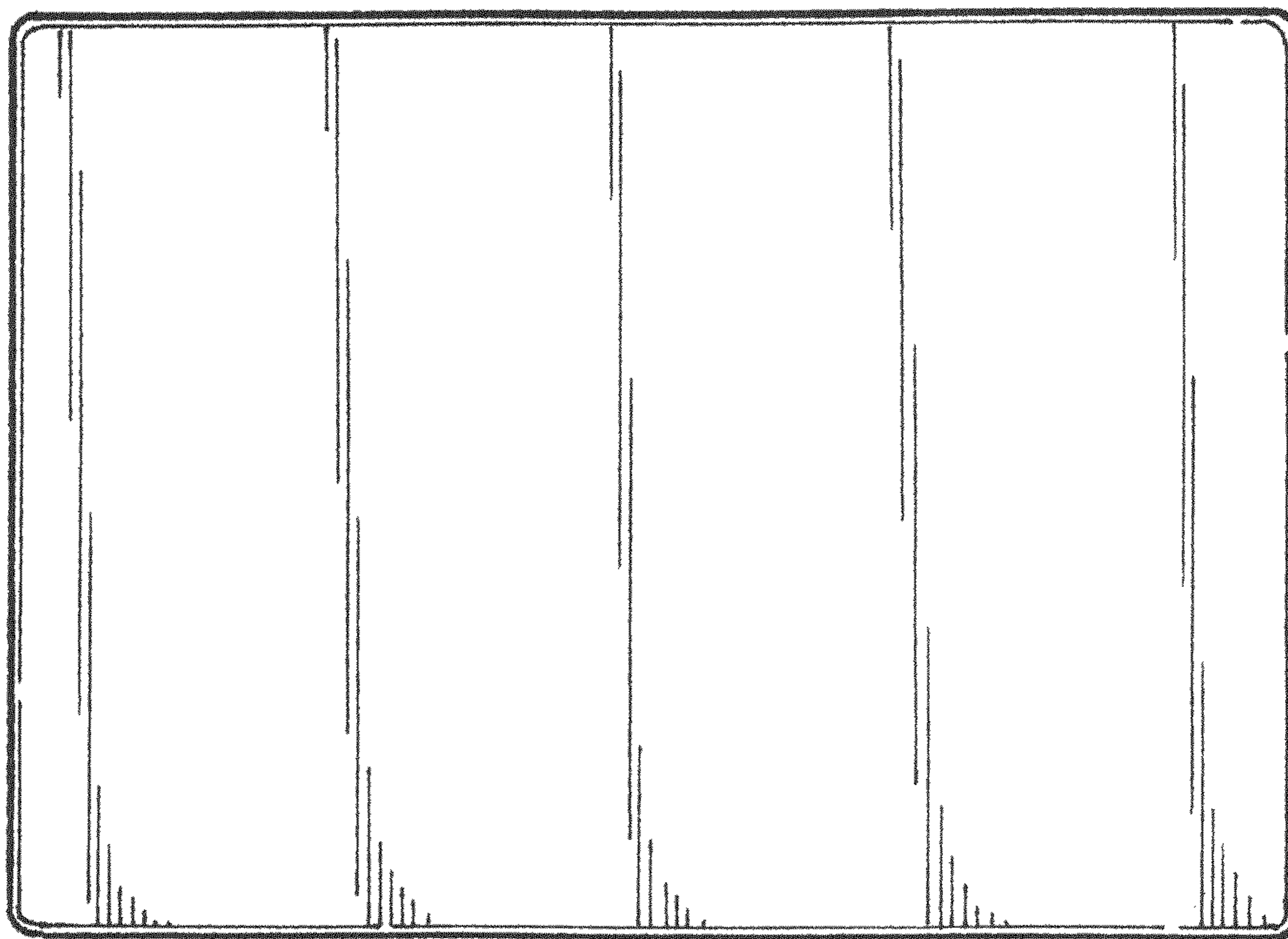


FIG.5



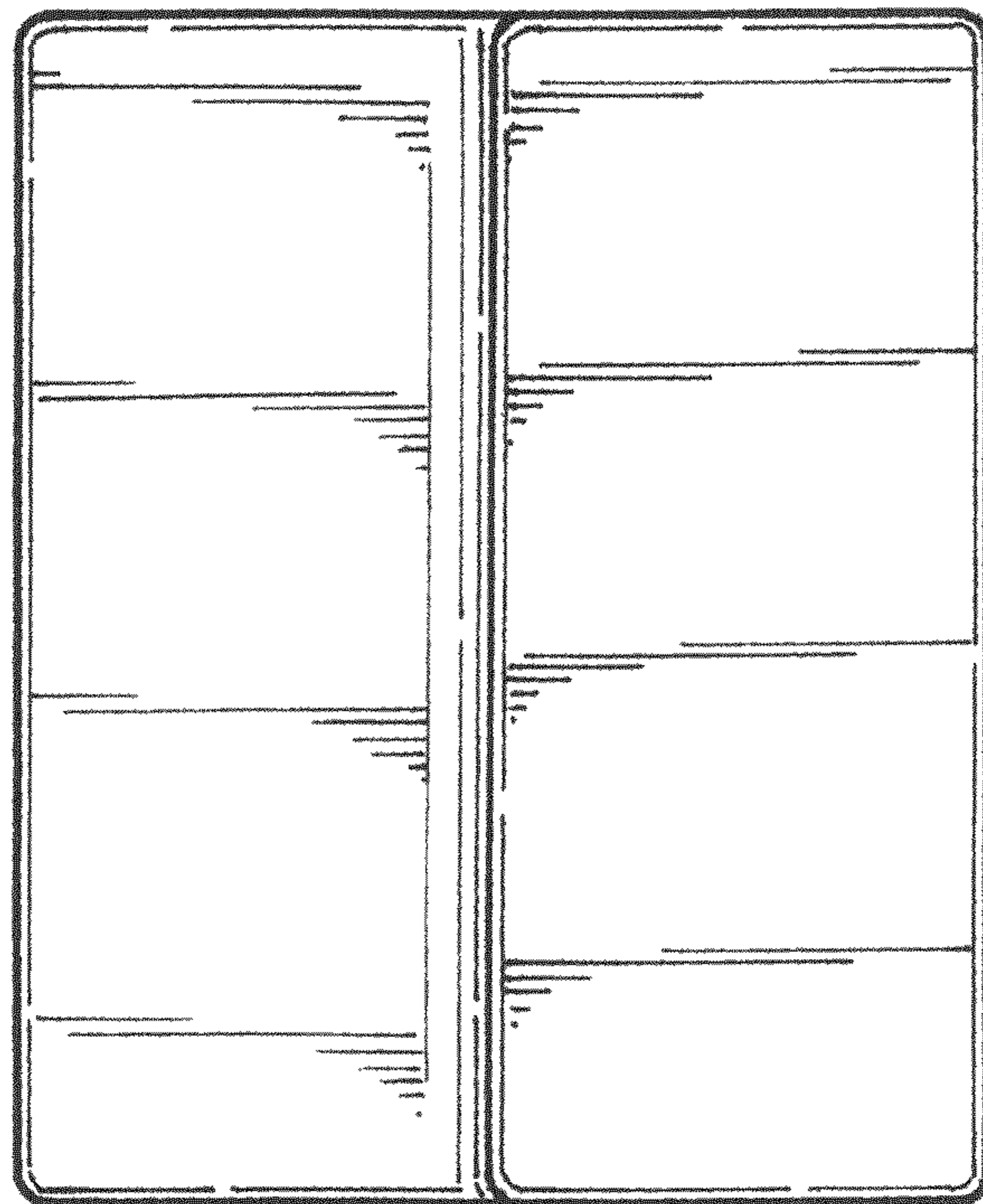


FIG.6

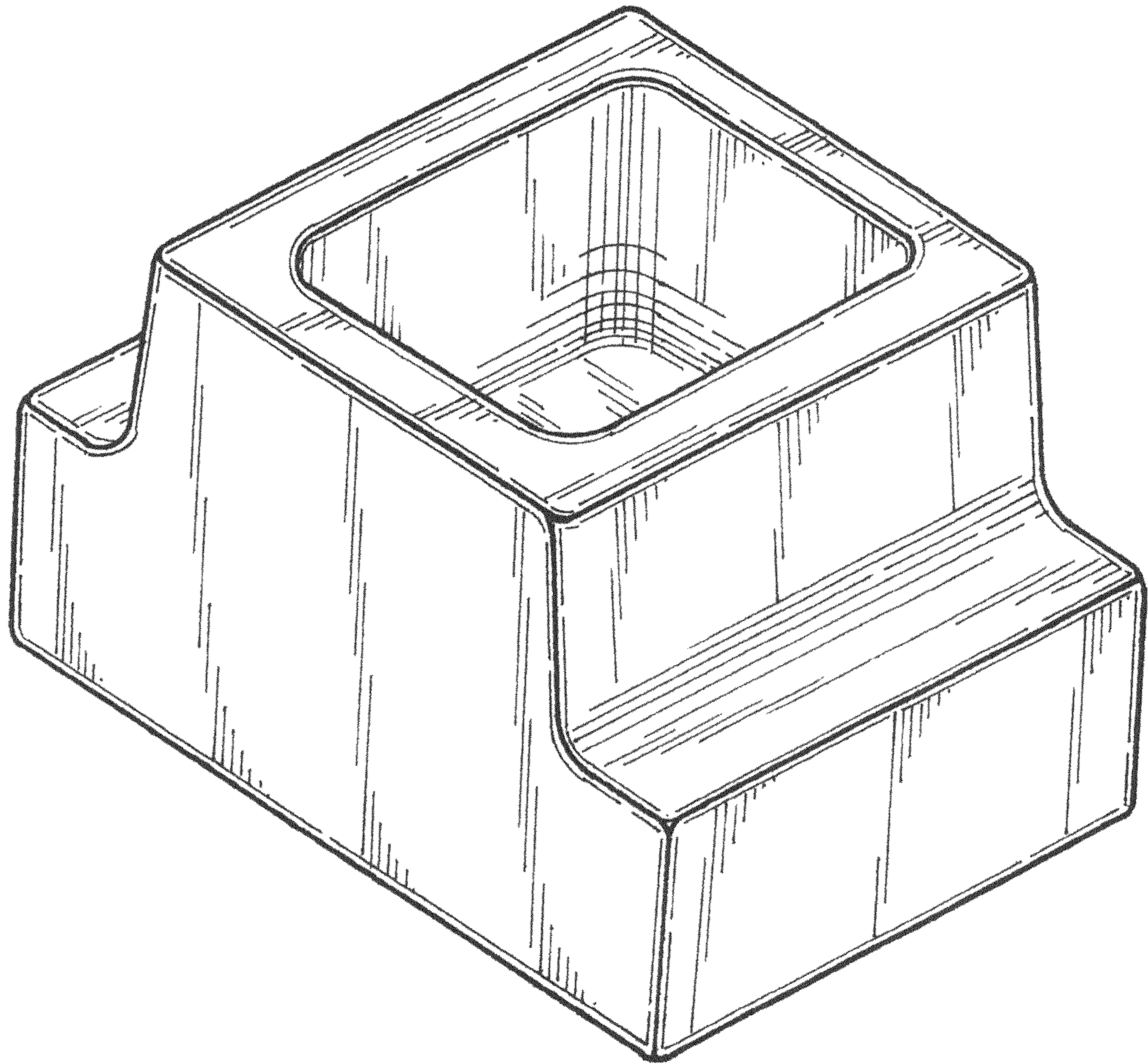


FIG.7



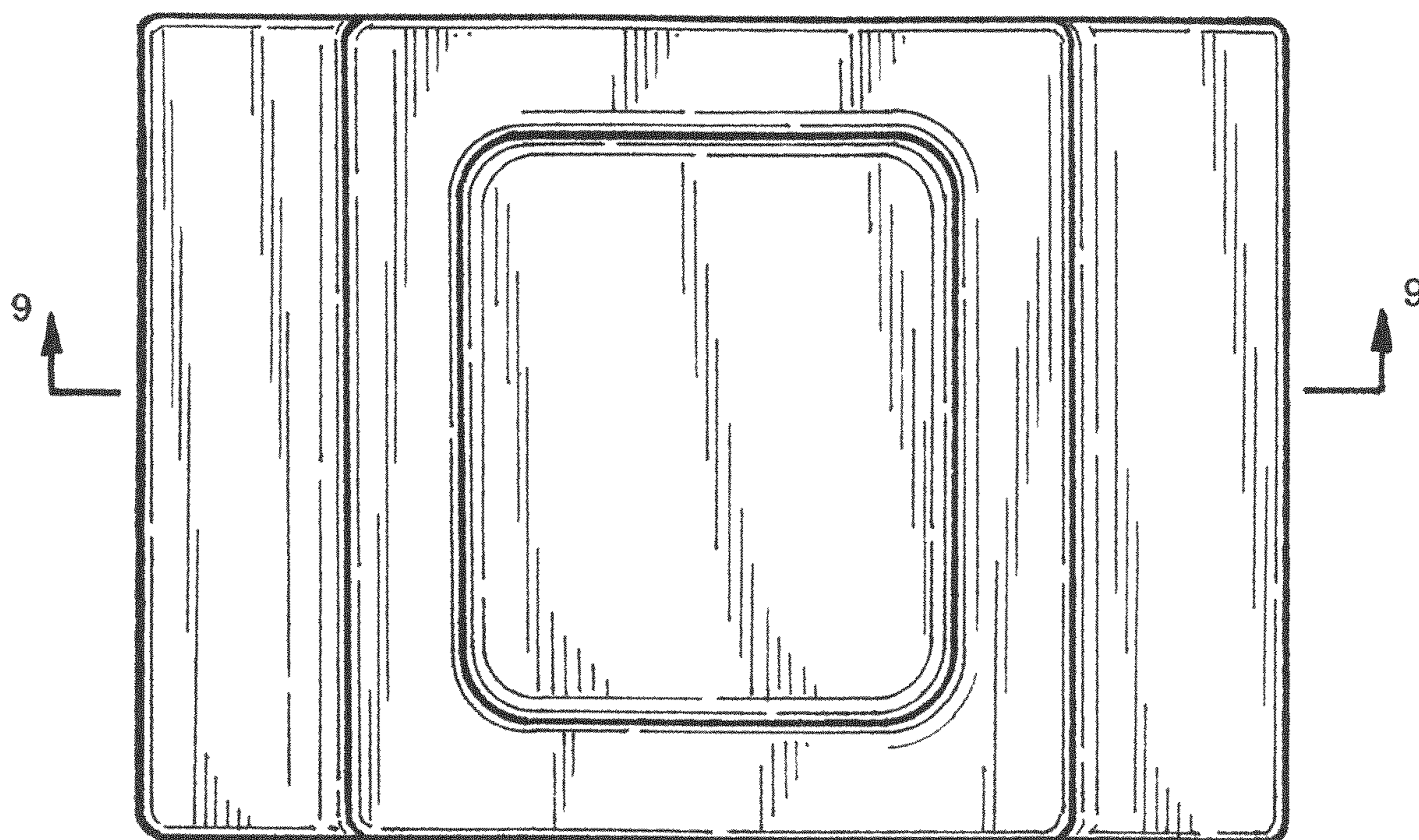


FIG. 8

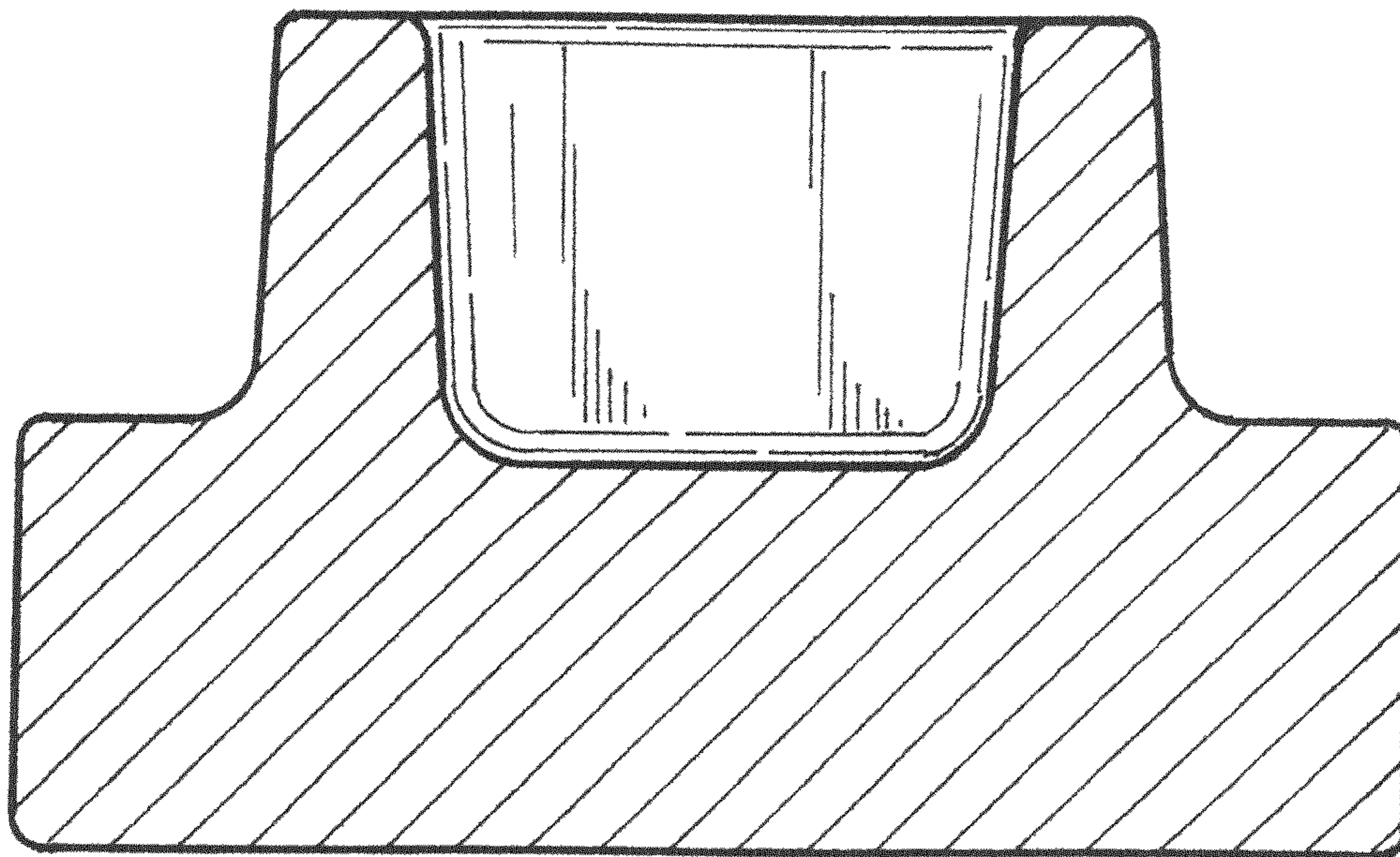


FIG.9

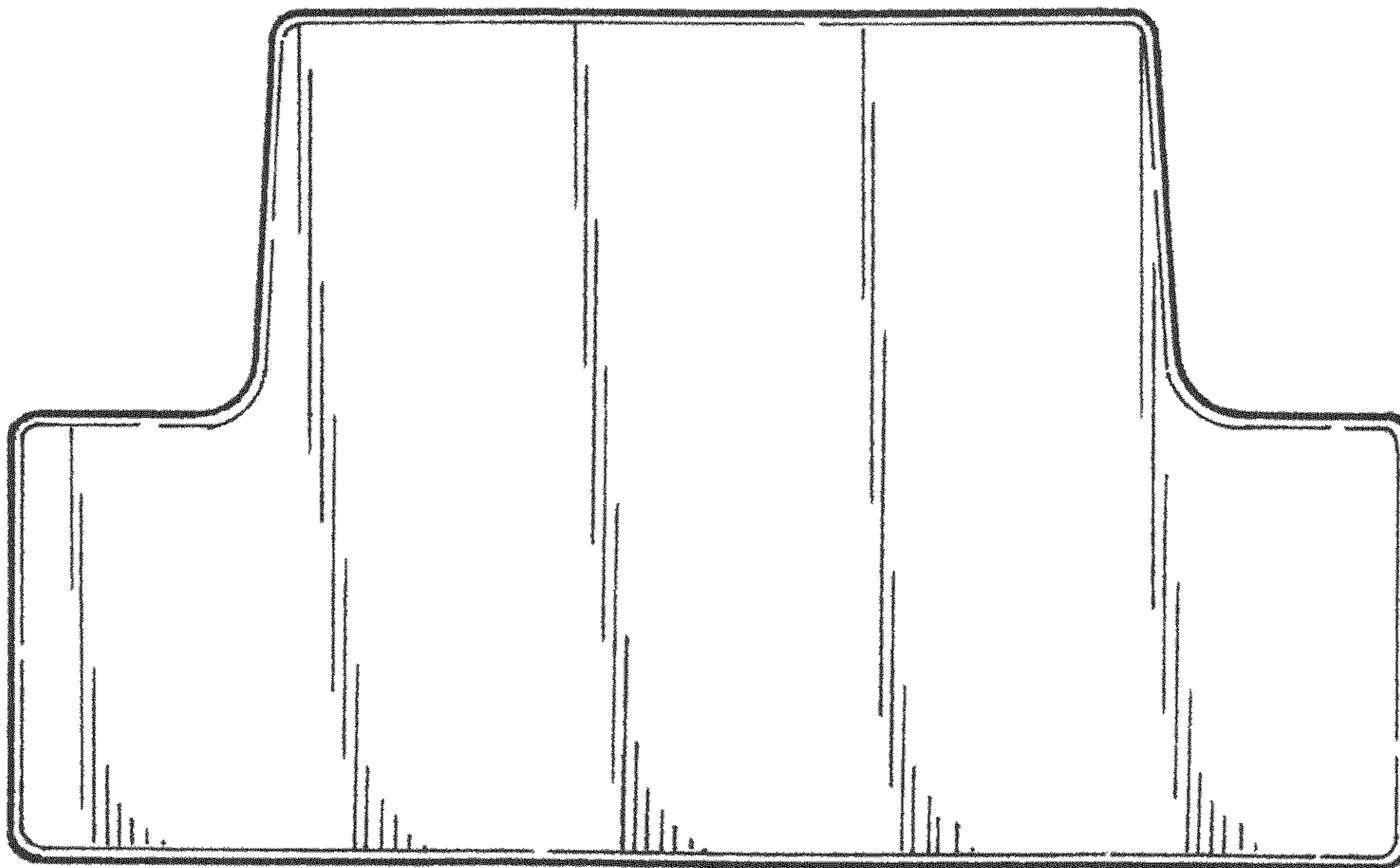


FIG.10



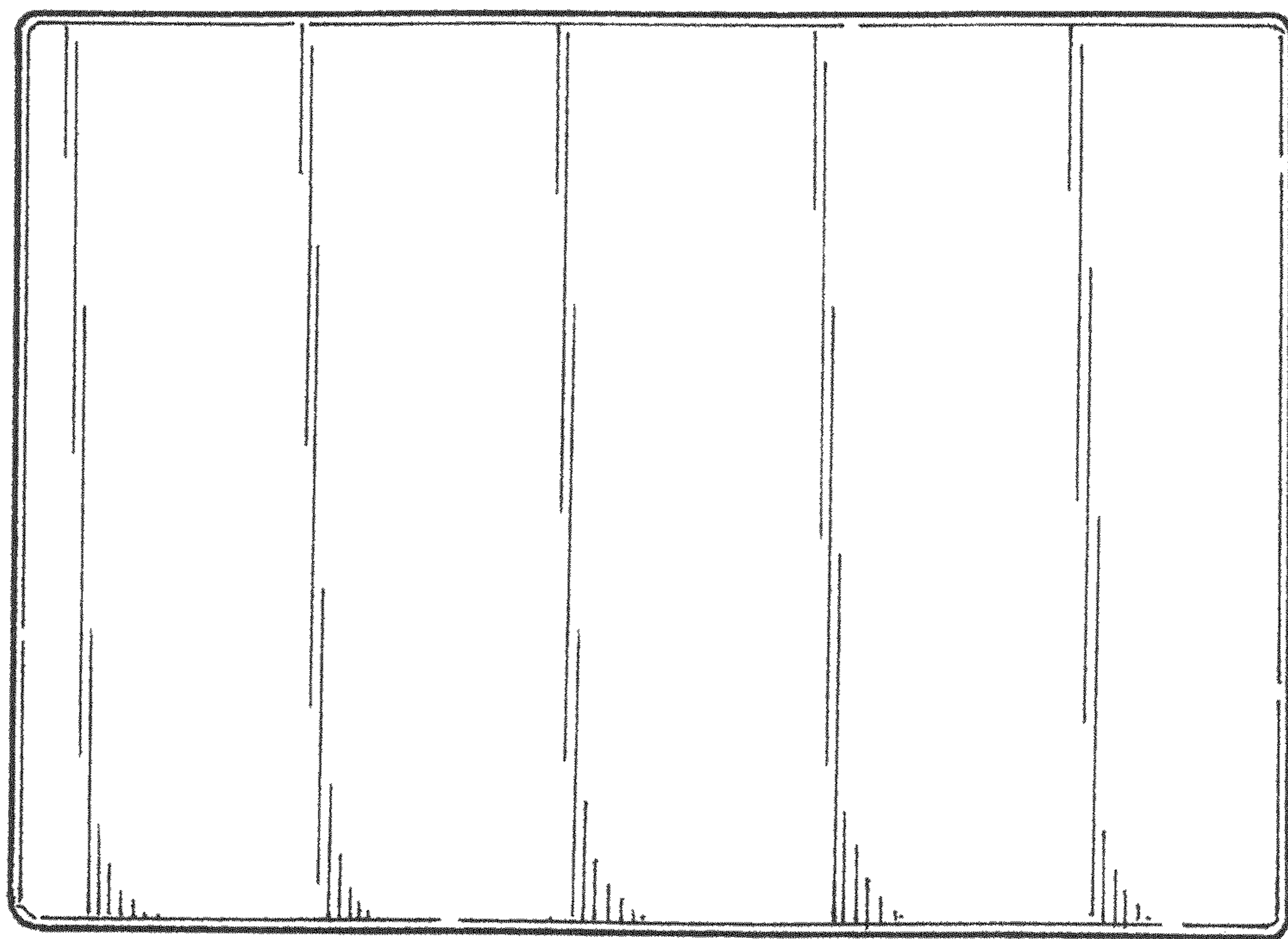


FIG.11

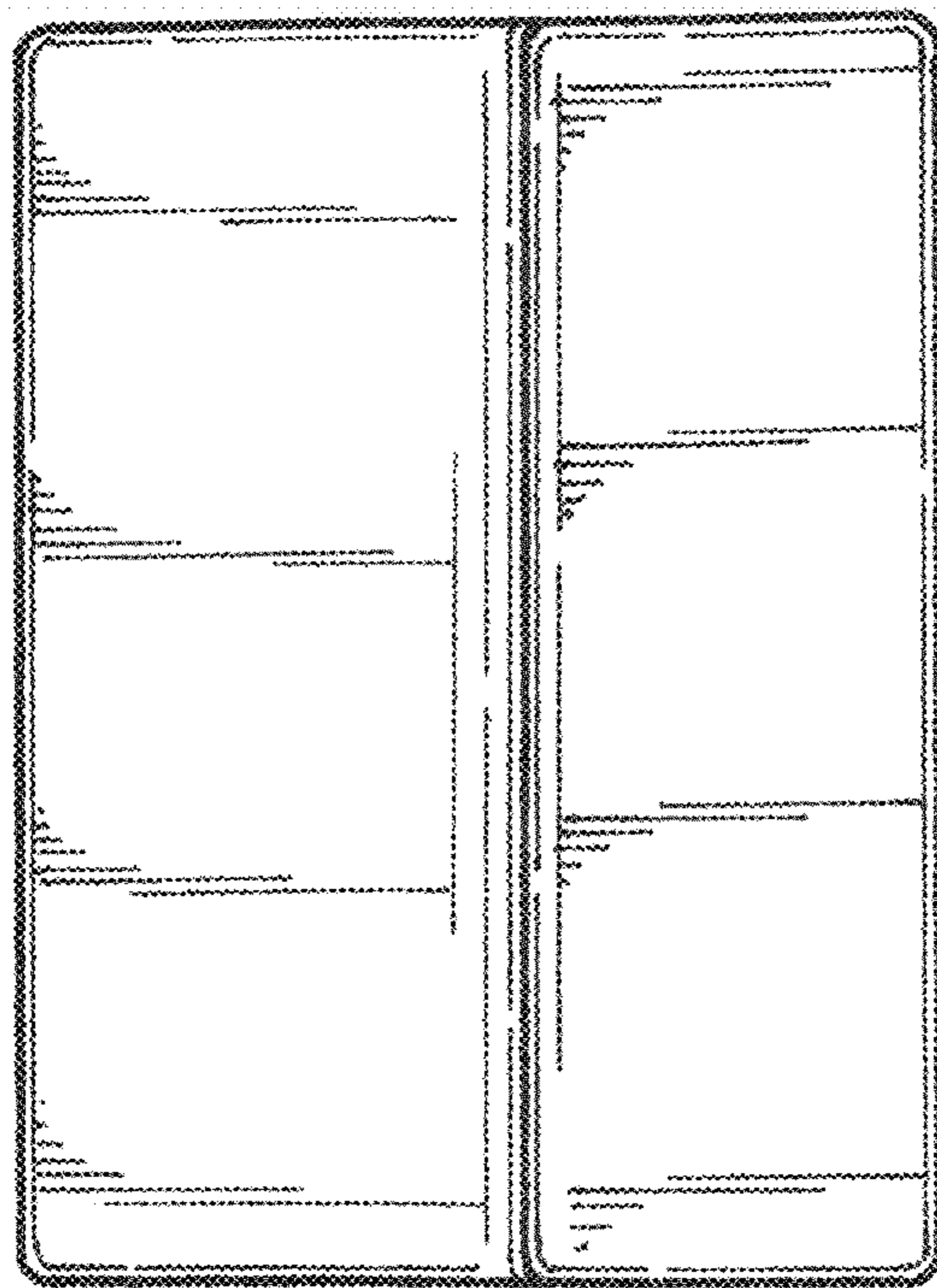


FIG.12