



US00D909904S

(12) **United States Design Patent**
Koyama

(10) **Patent No.:** **US D909,904 S**

(45) **Date of Patent:** **** Feb. 9, 2021**

(54) **WATCHBAND**

(71) Applicant: **Citizen Watch Co., Ltd.**, Nishitokyo (JP)

(72) Inventor: **Tomoki Koyama**, Tokyo (JP)

(73) Assignee: **Citizen Watch Co., Ltd.**, Tokyo (JP)

(**) Term: **15 Years**

(21) Appl. No.: **29/684,330**

(22) Filed: **Mar. 20, 2019**

(51) **LOC (13) Cl.** **11-01**

(52) **U.S. Cl.**
USPC **D11/3**

(58) **Field of Classification Search**
USPC D11/1-3, 86; D10/31, 32
CPC A44C 5/00; A44C 5/0053; A44C 5/0061;
A44C 5/02; A44C 5/14; A44C 11/00;
A44C 11/002; A44C 13/00
See application file for complete search history.

(56) **References Cited**

U.S. PATENT DOCUMENTS

D297,417 S *	8/1988	Asano	D10/32
D326,624 S *	6/1992	Cowan	D11/19
D353,108 S *	12/1994	Rabassa	D10/32
D360,591 S *	7/1995	Karan	D10/30
D403,250 S *	12/1998	Rabassa	D10/32
D562,723 S *	2/2008	Lalo	D10/32
D566,581 S *	4/2008	Giannini	D10/32
D578,900 S *	10/2008	Nisembaum	D10/32

D591,620 S *	5/2009	Giannini	D10/32
D593,879 S *	6/2009	Chen	D10/32
D608,661 S *	1/2010	Bulgari	D10/32
D610,472 S *	2/2010	Nashimoto	D10/32

FOREIGN PATENT DOCUMENTS

JP D1282388 S 9/2006

* cited by examiner

Primary Examiner — Llorellys Martinez

(74) *Attorney, Agent, or Firm* — RatnerPrestia

(57) **CLAIM**

The ornamental design for a watchband, as shown and described.

DESCRIPTION

FIG. 1 is a perspective view of a watchband showing my new design;
FIG. 2 is a front elevational view thereof;
FIG. 3 is a rear elevational view thereof;
FIG. 4 is a left side elevational view thereof;
FIG. 5 is a right side elevational view thereof;
FIG. 6 is a top plan view thereof;
FIG. 7 is a bottom plan view thereof;
FIG. 8 is a partial enlarged view thereof, taken from FIG. 1; and,
FIG. 9 is a partial enlarged view thereof, taken from FIG. 2.
The broken lines shown in FIGS. 1 to 9 show portions of the watchband that form no part of the claimed design.

1 Claim, 5 Drawing Sheets

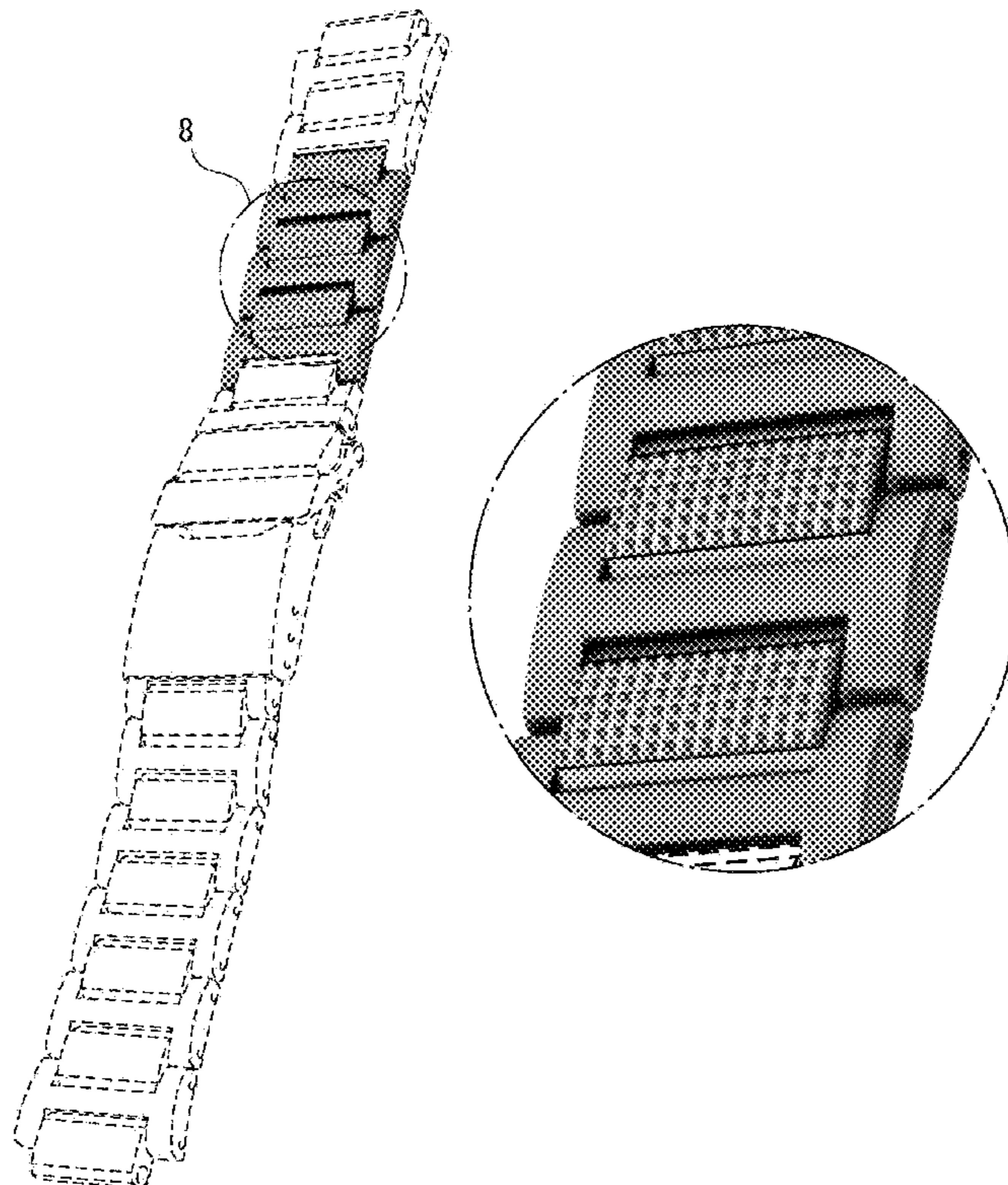


FIG. 1

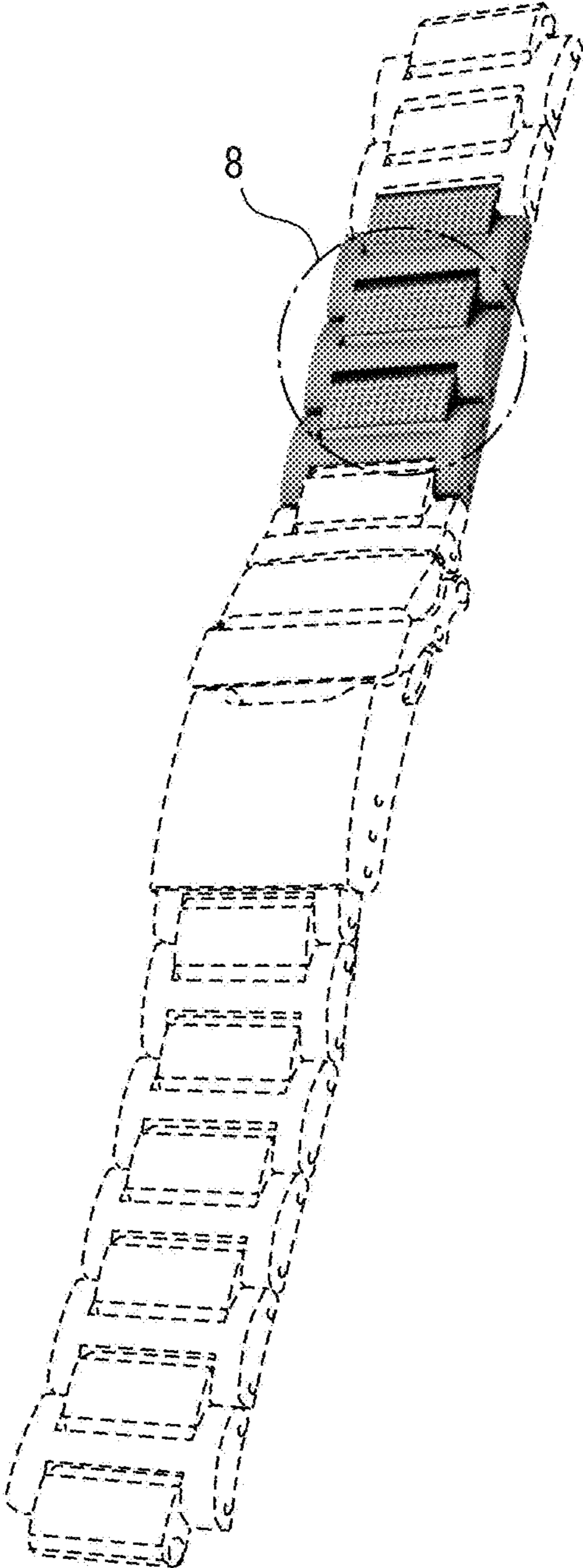


FIG. 2

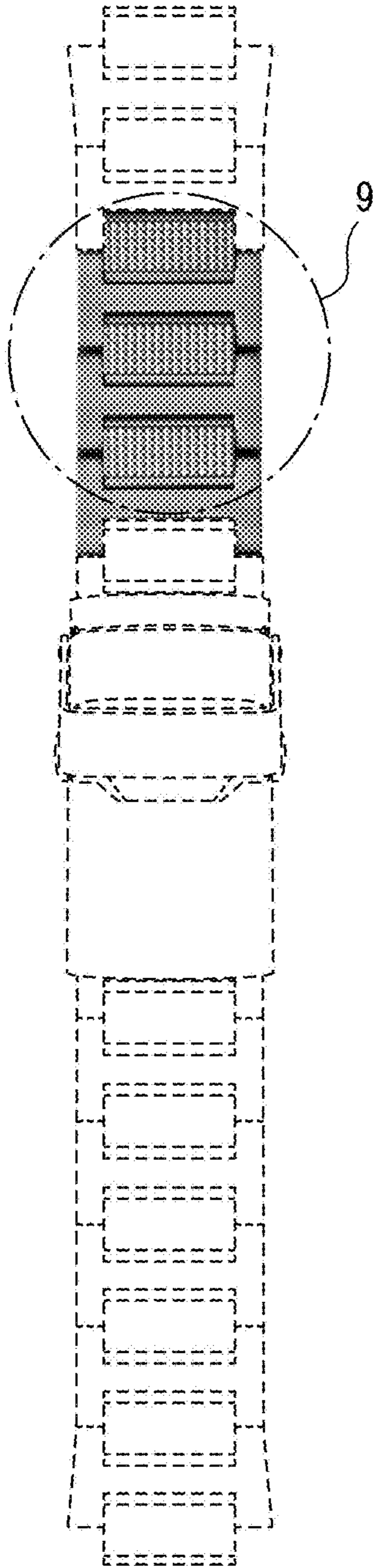


FIG. 3

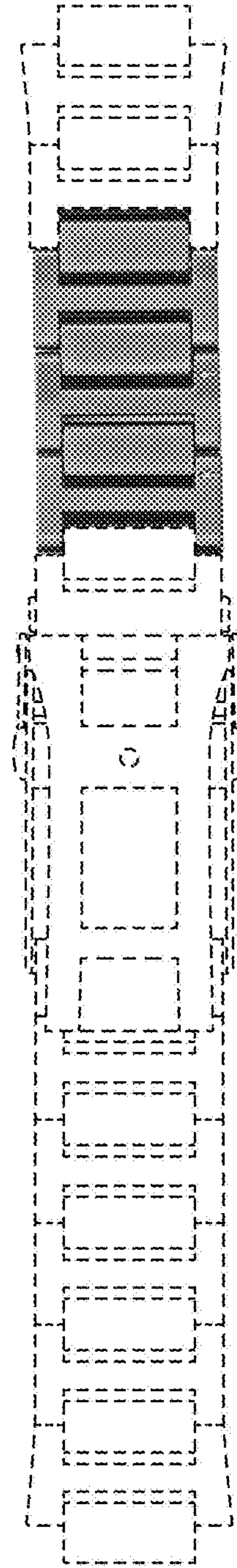


FIG. 4



FIG. 5



FIG. 6

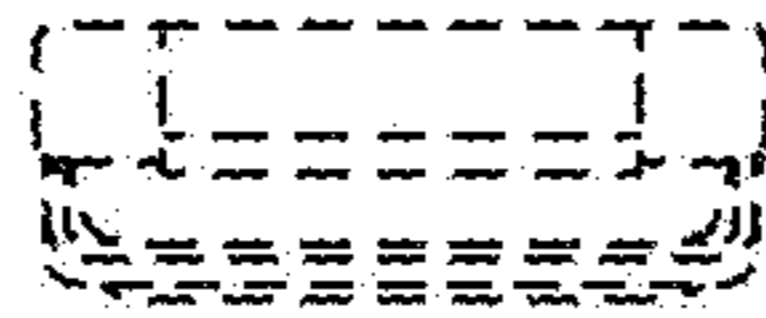


FIG. 7



FIG. 8

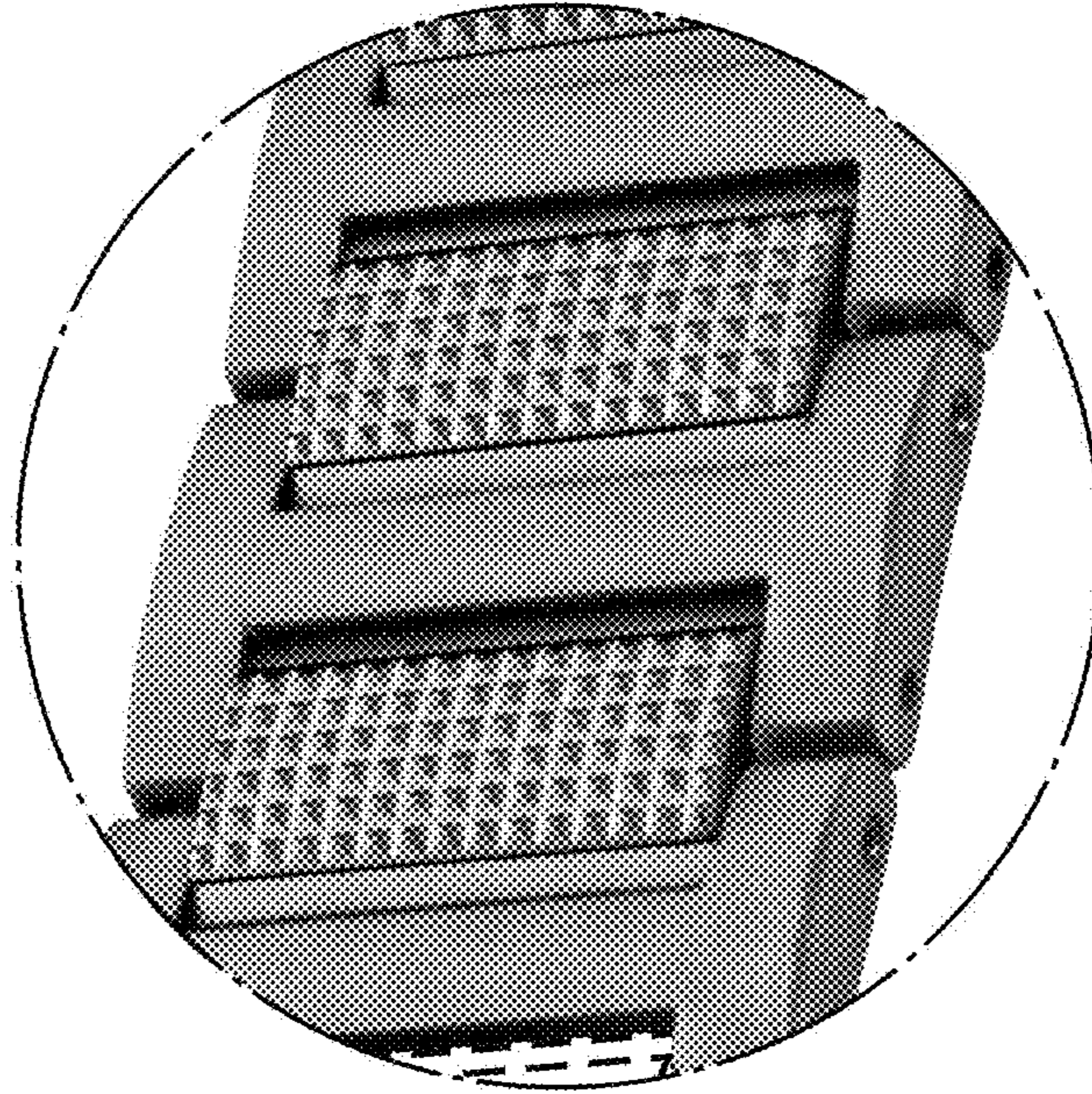


FIG. 9

