



US00D909903S

(12) **United States Design Patent** (10) **Patent No.:** **US D909,903 S**
Lin (45) **Date of Patent:** **** Feb. 9, 2021**

(54) **PROTECTIVE CASE FOR A WATCH**

(71) Applicant: **Dongjun Lin**, Shenzhen (CN)

(72) Inventor: **Dongjun Lin**, Shenzhen (CN)

(**) Term: **15 Years**

(21) Appl. No.: **29/739,857**

(22) Filed: **Jun. 30, 2020**

(51) **LOC (13) Cl.** **10-07**

(52) **U.S. Cl.**
USPC **D10/132**

(58) **Field of Classification Search**
USPC D10/122, 30, 38, 126, 125, 128, 132;
D14/440, 250, 217, 447, 344, 439, 432,
D14/300
CPC .. G04B 37/00; G04B 37/0008; G04B 37/005;
G04B 37/22; G04B 37/18; G04B 37/20;
G04B 37/116

See application file for complete search history.

(56) **References Cited**

U.S. PATENT DOCUMENTS

D169,457 S * 4/1953 Schwarz D10/38
D244,012 S * 4/1977 Cake D10/31
D399,447 S * 10/1998 Pandel D10/128
D528,441 S * 9/2006 Burton D10/38
D690,208 S * 9/2013 Sasaki D10/32
D717,683 S * 11/2014 Grinberg D10/132
D762,489 S * 8/2016 Chen D10/39
D769,879 S * 10/2016 Kim D14/440
D770,931 S * 11/2016 Parker D10/132
D780,740 S * 3/2017 Kim D14/250
D784,346 S * 4/2017 Tao D14/439
D786,879 S * 5/2017 Kim D14/440
D795,089 S * 8/2017 Wright D10/32
D802,587 S * 11/2017 Lee D14/344
D816,522 S * 5/2018 Zhou D10/70

D834,953 S 12/2018 Agayev
D850,968 S 6/2019 Zhang
D853,878 S * 7/2019 Wright D10/128
D885,230 S * 5/2020 Kim D10/132
2017/0248922 A1* 8/2017 Hyncek G04B 37/005

FOREIGN PATENT DOCUMENTS

CN 201930129711.2 * 3/2019

OTHER PUBLICATIONS

Amazon, Piuella Black Hard Case for Apple Watch, posted Oct. 14, 2019, [online], [visited Sep. 23, 2020]. Internet, <URL: https://www.amazon.co.uk/Piuellia-Protector-Ultra-Thin-Overall-Protective/dp/B07Z3PRPKN/ref> (Year: 2019).*

Amazon, Fullife Apple Watch Case, posted May 4, 2020, [visited Sep. 23, 2020]. Internet, <URL: https://www.amazon.co.uk/Fullife-Compatible-Protective-iWatch-Clear-38mm-Pink-Gold-Rose-Clear/dp/B0881LC57X/ref> (Year: 2020).*

(Continued)

Primary Examiner — Sheryl Lane

Assistant Examiner — Samantha N Wood

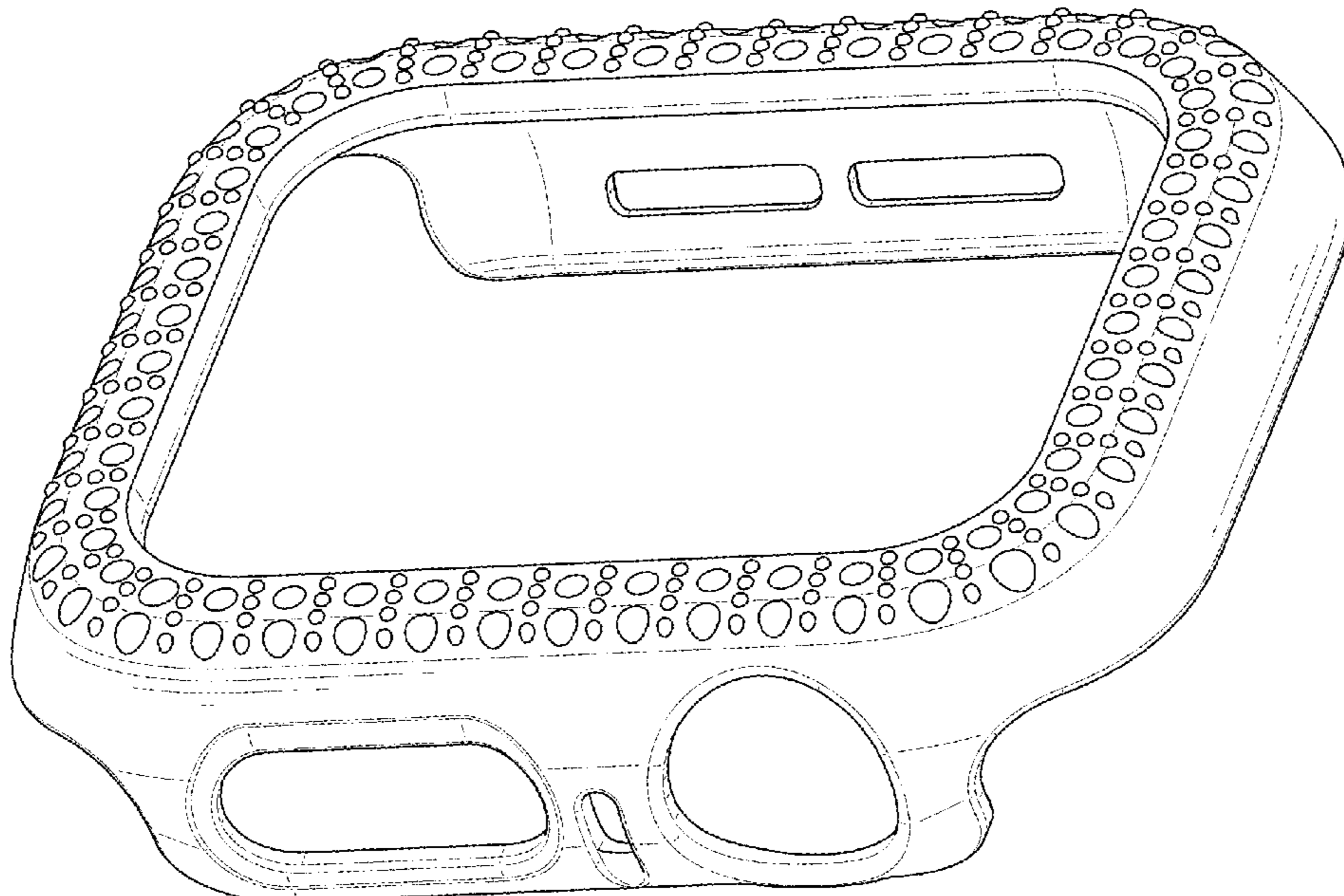
(57) **CLAIM**

The ornamental design for a protective case for a watch, as shown and described.

DESCRIPTION

FIG. 1 is a perspective view of a protective case for a watch showing my new design;
FIG. 2 is another perspective view thereof;
FIG. 3 is a front elevational view thereof;
FIG. 4 is a rear elevational view thereof;
FIG. 5 is a left side elevational view thereof;
FIG. 6 is a right side elevational view thereof;
FIG. 7 is a top plan view thereof; and,
FIG. 8 is a bottom plan view thereof.

1 Claim, 8 Drawing Sheets



(56)

References Cited

OTHER PUBLICATIONS

Amazon, Adepoy Watch Case, posted May 28, 2020, [online], [visited Sep. 23, 2020]. Internet, <URL: <https://www.amazon.co.uk/Adepoy-Rhinestone-Compatible-Protective-Protector-3-Rose-pink/dp/B089CPCFH6/ref>> (Year: 2020).*

Amazon, Newways Apple Watch, posted Jan. 5, 2020, [online], [visited Sep. 23, 2020]. Internet, <URL: <https://www.amazon.co.uk/NewWays-2-Pack-Compatible-Protective-Protector/dp/B083J29L77/ref>> (Year: 2020).*

Amazon, KADES Bling Cases for Apple Watch, posted May 27, 2020, [online], [visited Sep. 28, 2020]. Internet, <URL: <https://www.amazon.co.uk/KADES-Compatible-Stainless-Protector-iWatch-Rose-Gold/dp/B08975WKNZ/ref=?th=1>> (Year: 2020).*

* cited by examiner

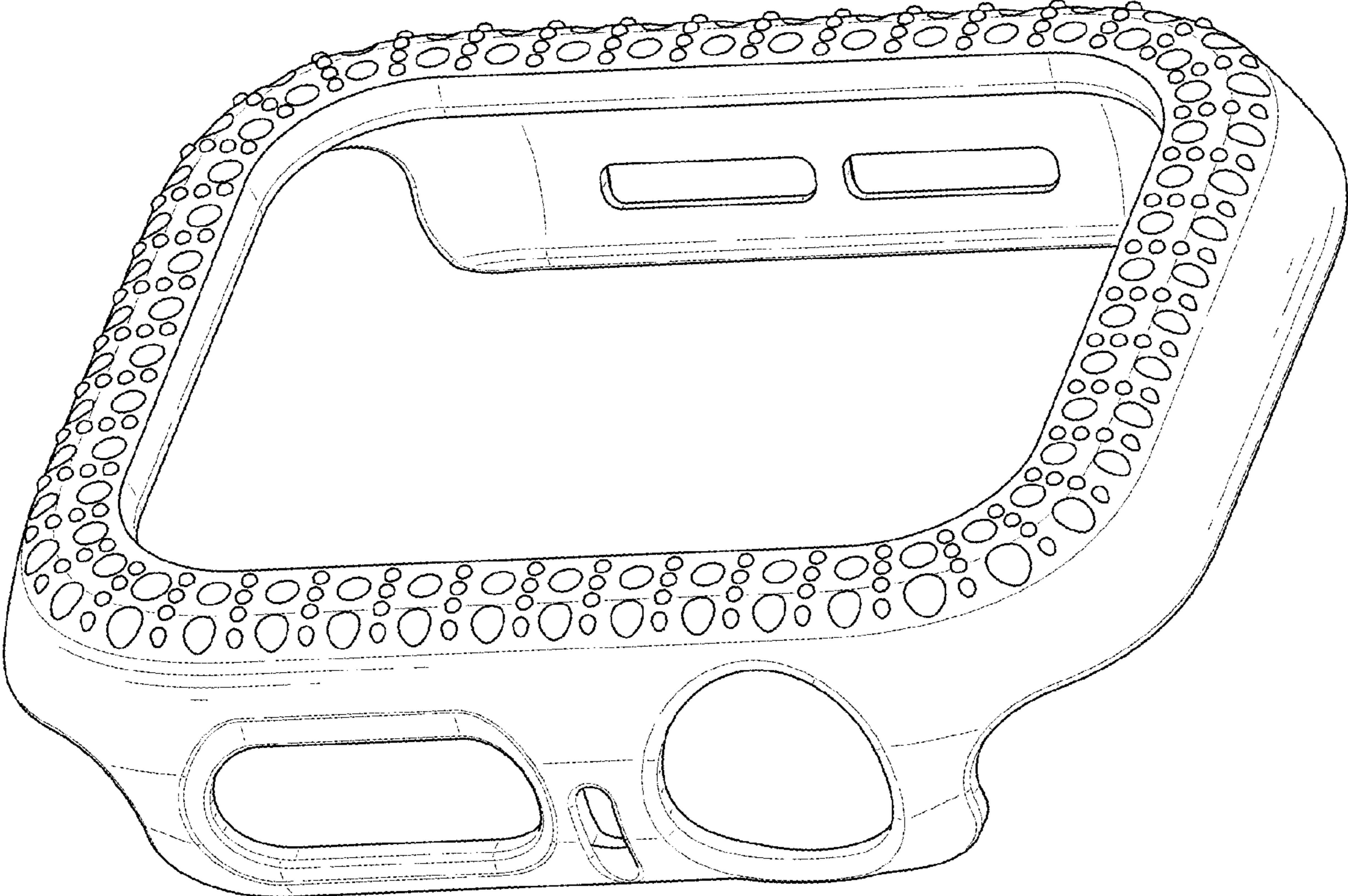


FIG. 1

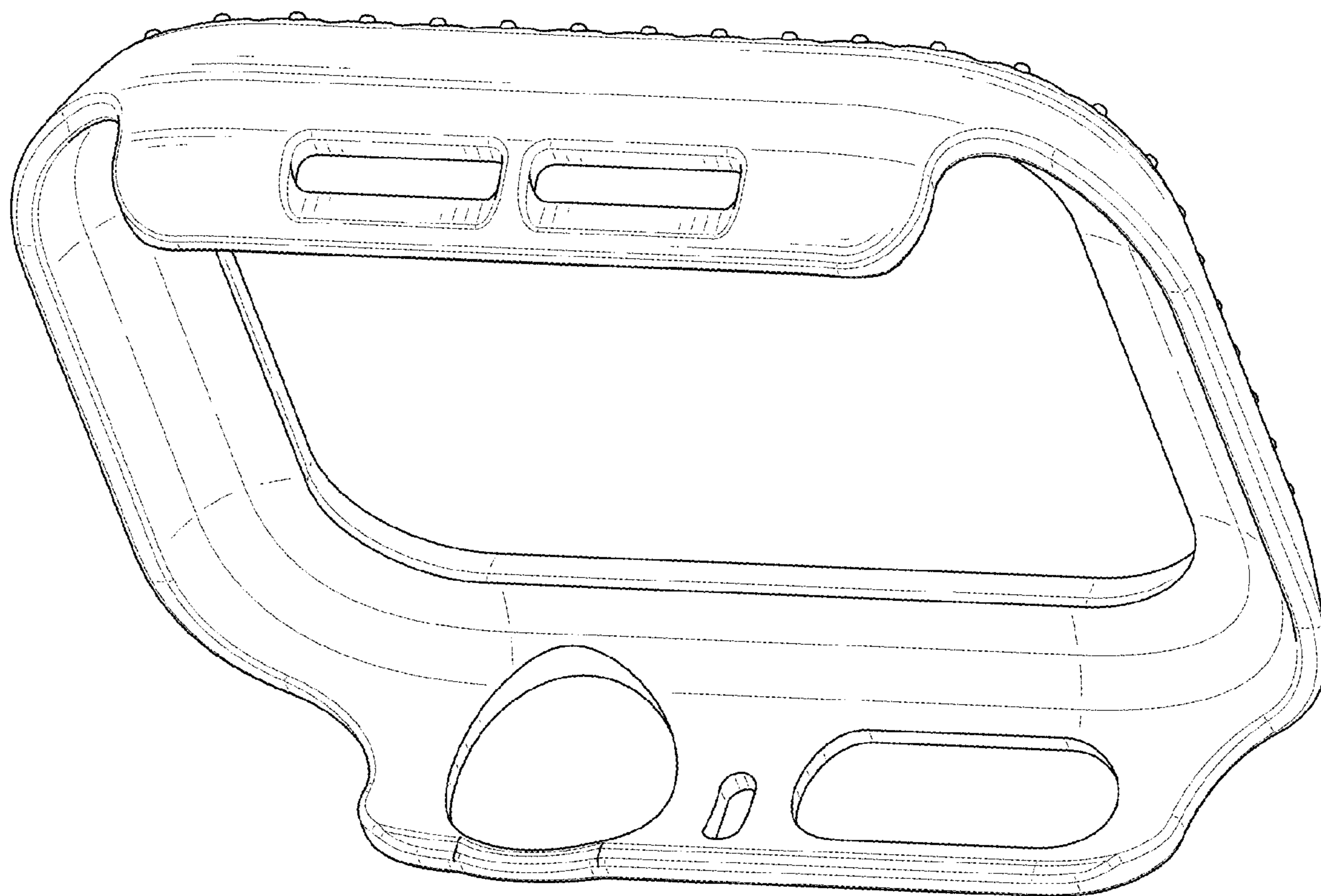


FIG. 2

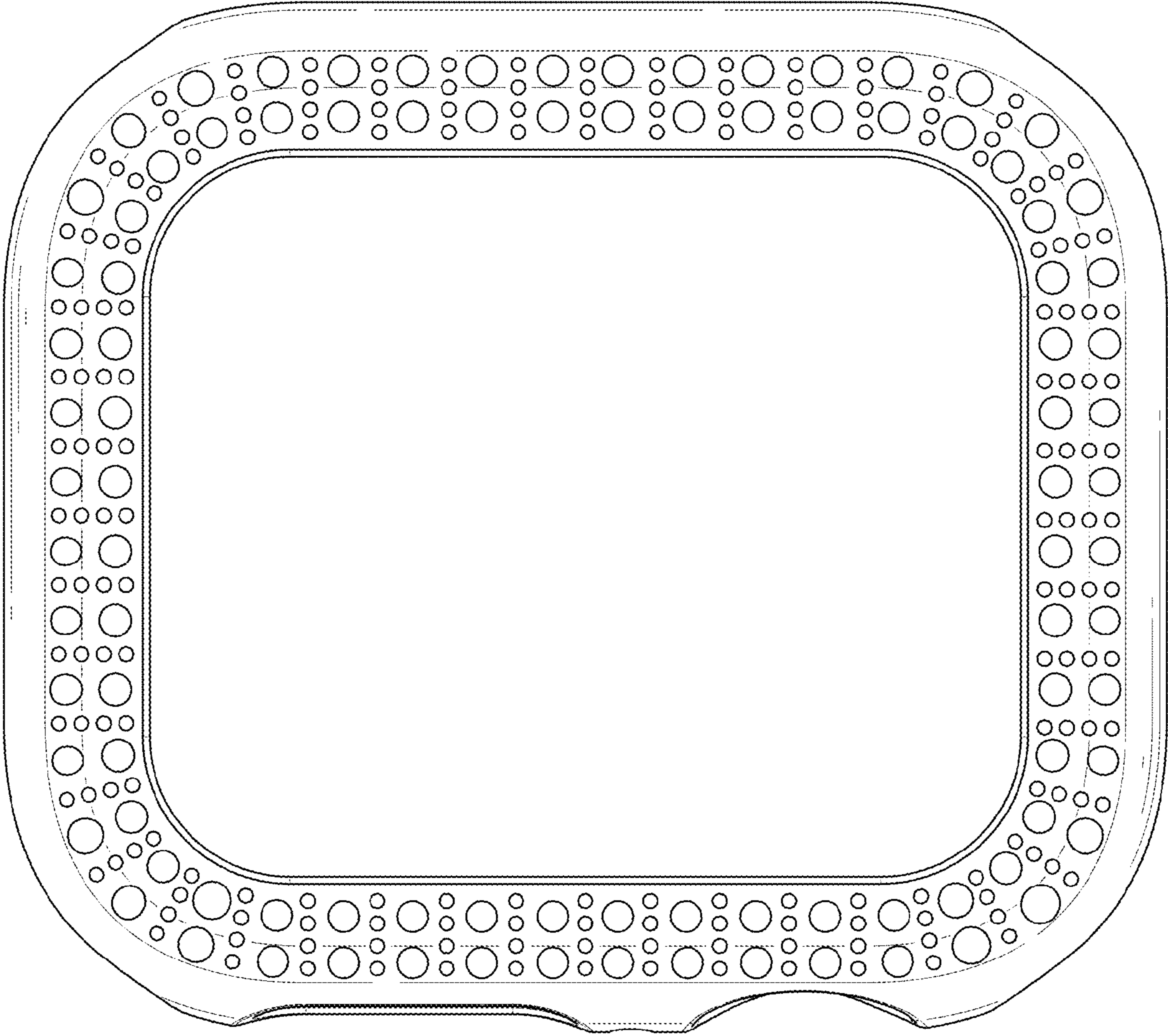


FIG. 3

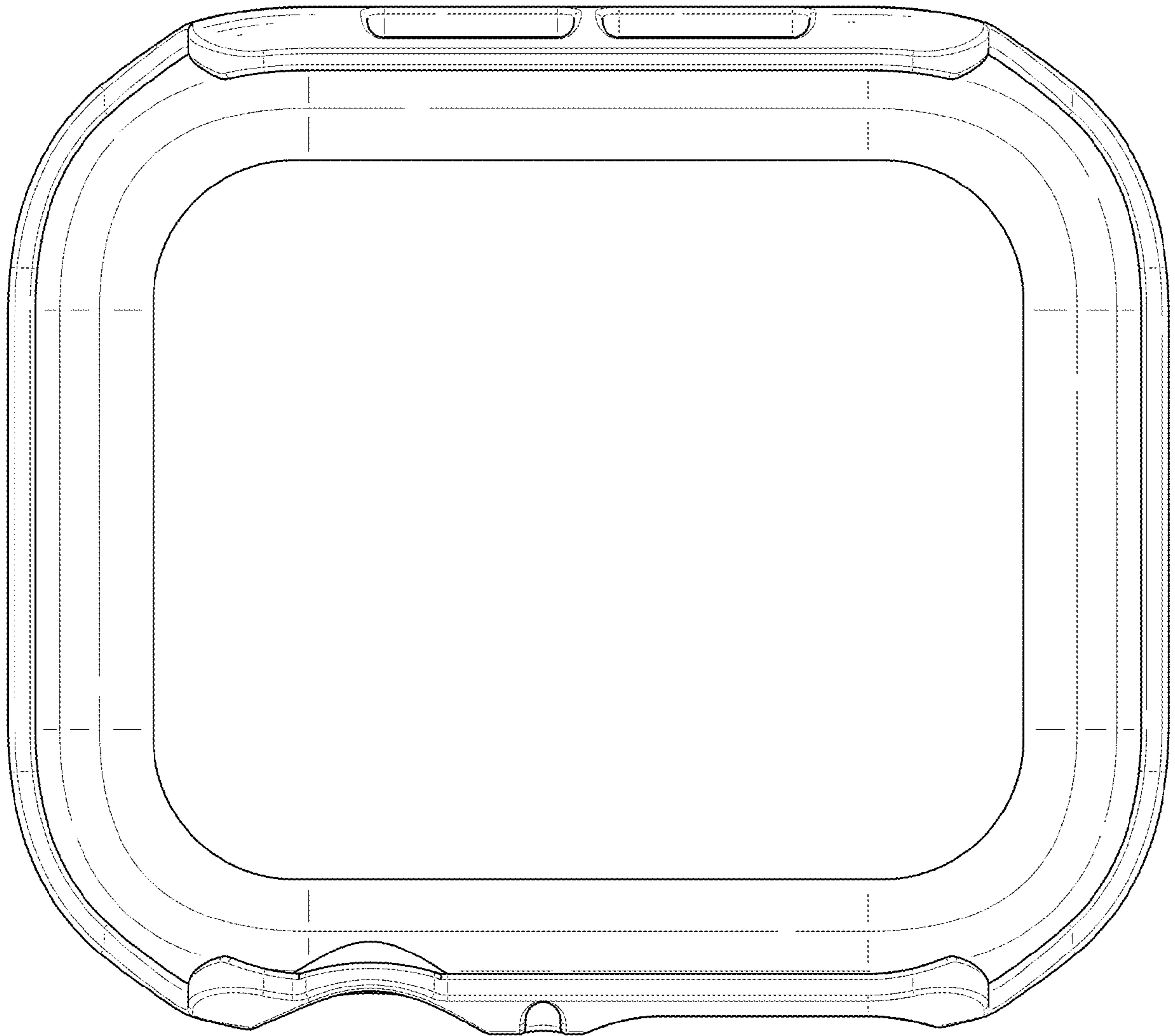


FIG. 4

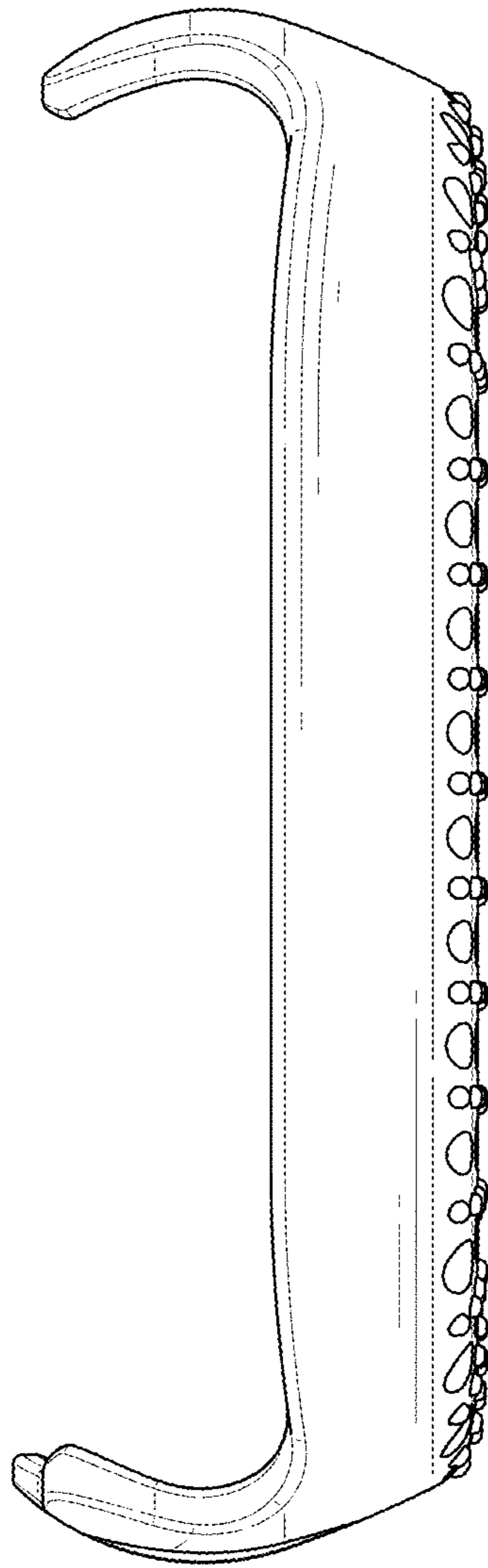


FIG. 5

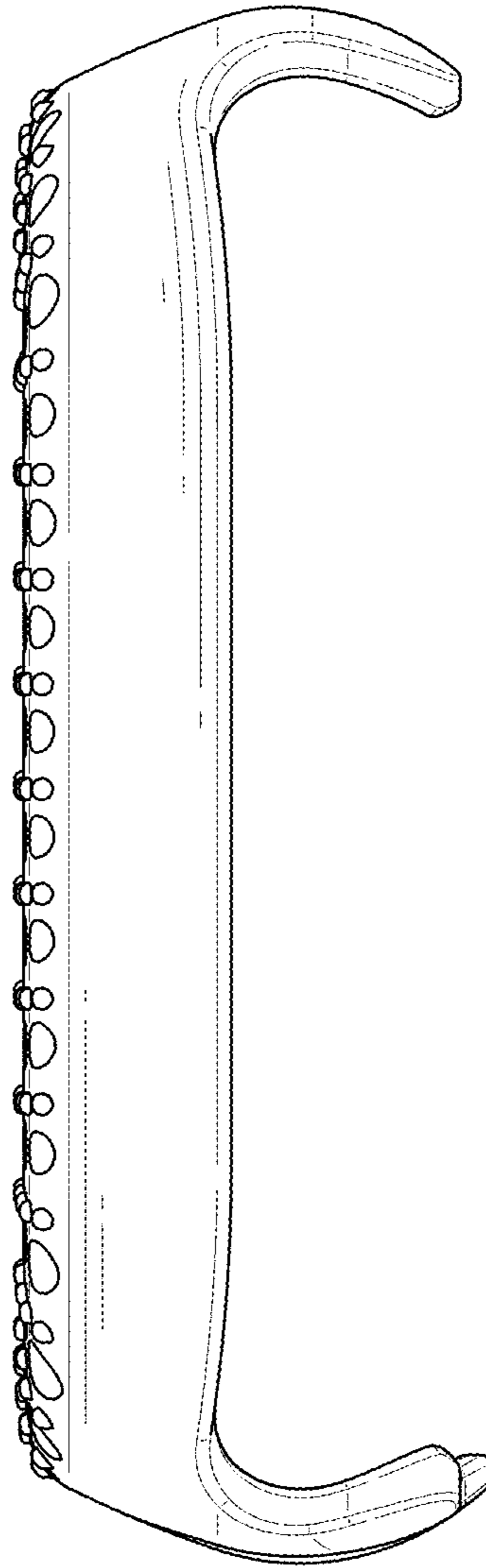


FIG. 6

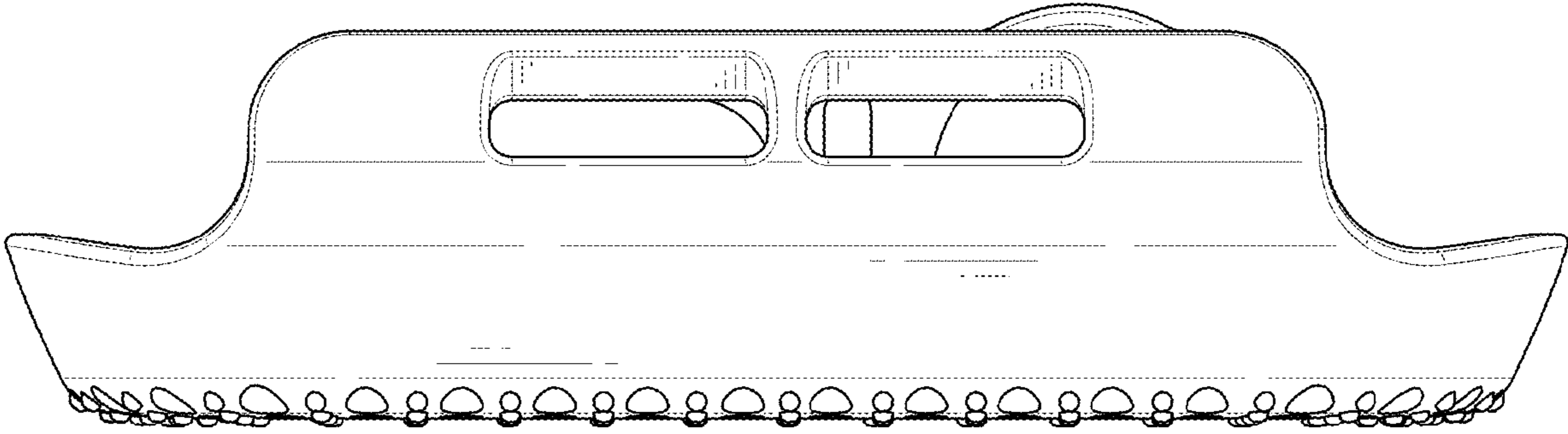


FIG. 7

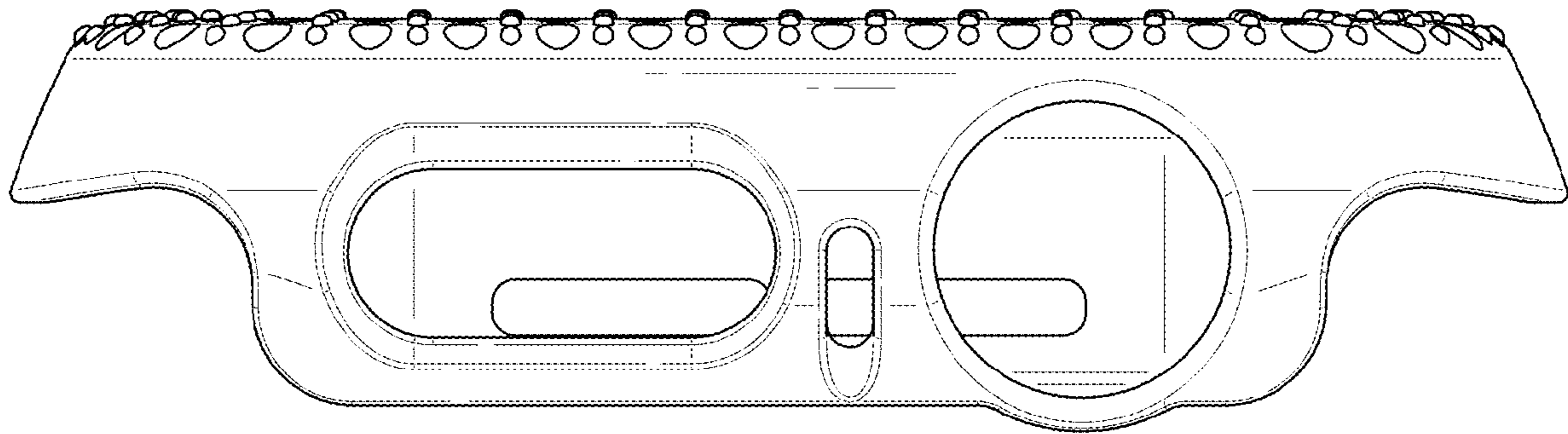


FIG. 8