



US00D909900S

(12) **United States Design Patent** (10) **Patent No.:** **US D909,900 S**
Larose et al. (45) **Date of Patent:** **** Feb. 9, 2021**

(54) **CASING FOR A PORTABLE
NON-DESTRUCTIVE TEST INSTRUMENT**

(71) Applicant: **OLYMPUS AMERICA INC.**, Center Valley, PA (US)

(72) Inventors: **Sébastien Larose**, Quebec (CA);
François Houde, Quebec (CA);
Benjamin Spay, Quebec (CA);
Christian Gauvin, Levis (CA)

(73) Assignee: **Olympus America Inc.**, Center Valley, PA (US)

(**) Term: **15 Years**

(21) Appl. No.: **29/678,815**

(22) Filed: **Jan. 31, 2019**

(51) **LOC (13) Cl.** **10-04**

(52) **U.S. Cl.**
USPC **D10/76; D10/78**

(58) **Field of Classification Search**
USPC **D10/75, 76, 78**

(Continued)

(56) **References Cited**

U.S. PATENT DOCUMENTS

D640,580 S 6/2011 Bibeau et al.

D668,564 S 10/2012 Poirier

(Continued)

OTHER PUBLICATIONS

“Chinese Application Serial No. 201930294755.0, Response filed Mar. 3, 2020 to Notification of the First Correction dated Oct. 21, 2019”, with machine translation, 29 pgs.

Primary Examiner — Antoine Duval Davis

(74) *Attorney, Agent, or Firm* — Schwegman Lundberg & Woessner, P.A.

(57) **CLAIM**

The ornamental design for a casing for a portable non-destructive test instrument, as shown and described.

DESCRIPTION

FIG. 1 is a first isometric view of a casing for a portable non-destructive test instrument, showing a side door in a closed position.

FIG. 2 is the first isometric view of the casing for a portable non-destructive test instrument, showing the side door in an open position.

FIG. 3 is a second isometric view of the casing for a portable non-destructive test instrument, showing the side door in the closed position.

FIG. 4 is the second isometric view of the casing for a portable non-destructive test instrument, showing the side door in the open position.

FIG. 5 is a front view of the casing for a portable non-destructive test instrument, showing the side door in the open position.

FIG. 6 is a back view of the casing for a portable non-destructive test instrument, showing the side door in the open position.

FIG. 7 is a right side view of the casing for a portable non-destructive test instrument, showing the side door in the open position.

FIG. 8 is a left side view of the casing for a portable non-destructive test instrument, showing the side door in the open position.

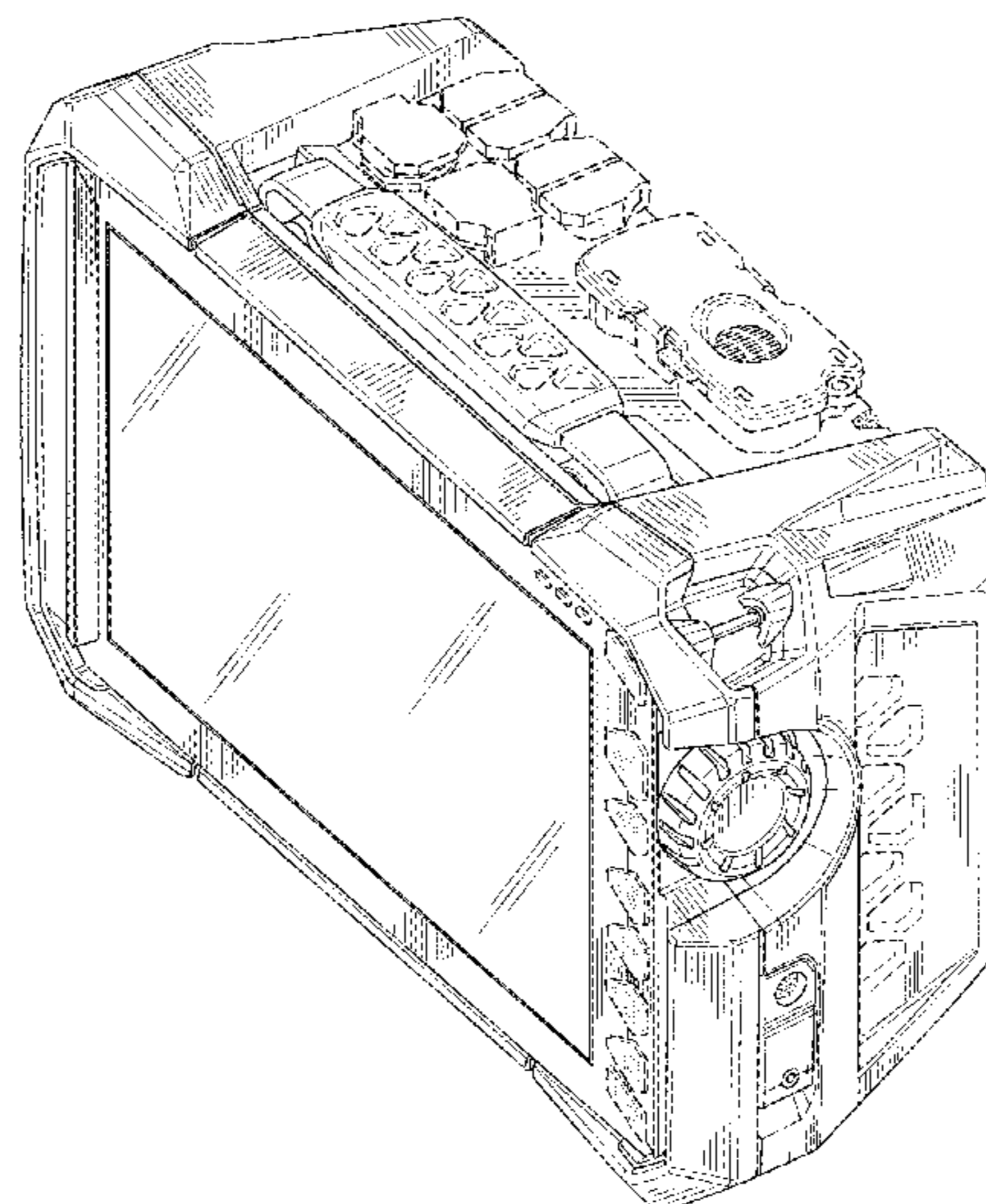
FIG. 9 is the left side view of the casing for a portable non-destructive test instrument, showing the side door in the closed position.

FIG. 10 is a top view of the casing for a portable non-destructive test instrument, showing the side door in the open position; and,

FIG. 11 is a bottom view of the casing for a portable non-destructive test instrument, showing the side door in the open position.

The broken lines illustrate portions of the casing for a portable non-destructive test instrument that form no part of the claimed design.

1 Claim, 10 Drawing Sheets



(58) **Field of Classification Search**

CPC G01N 29/262; G01N 29/265; G01N 29/22;
G01N 29/226; G01N 2291/106; G01N
23/02; G01N 23/223; G01N 27/9006;
G01N 29/04; G01N 2291/023; G06F
8/61; G06F 8/65

See application file for complete search history.

(56) **References Cited**

U.S. PATENT DOCUMENTS

D739,277	S	*	9/2015	Martel	D10/78
D763,712	S	*	8/2016	Recoura-Massaquant	D10/75
D763,713	S	*	8/2016	Martel	D10/75
D820,127	S	*	6/2018	Kreitzer	D10/76

* cited by examiner

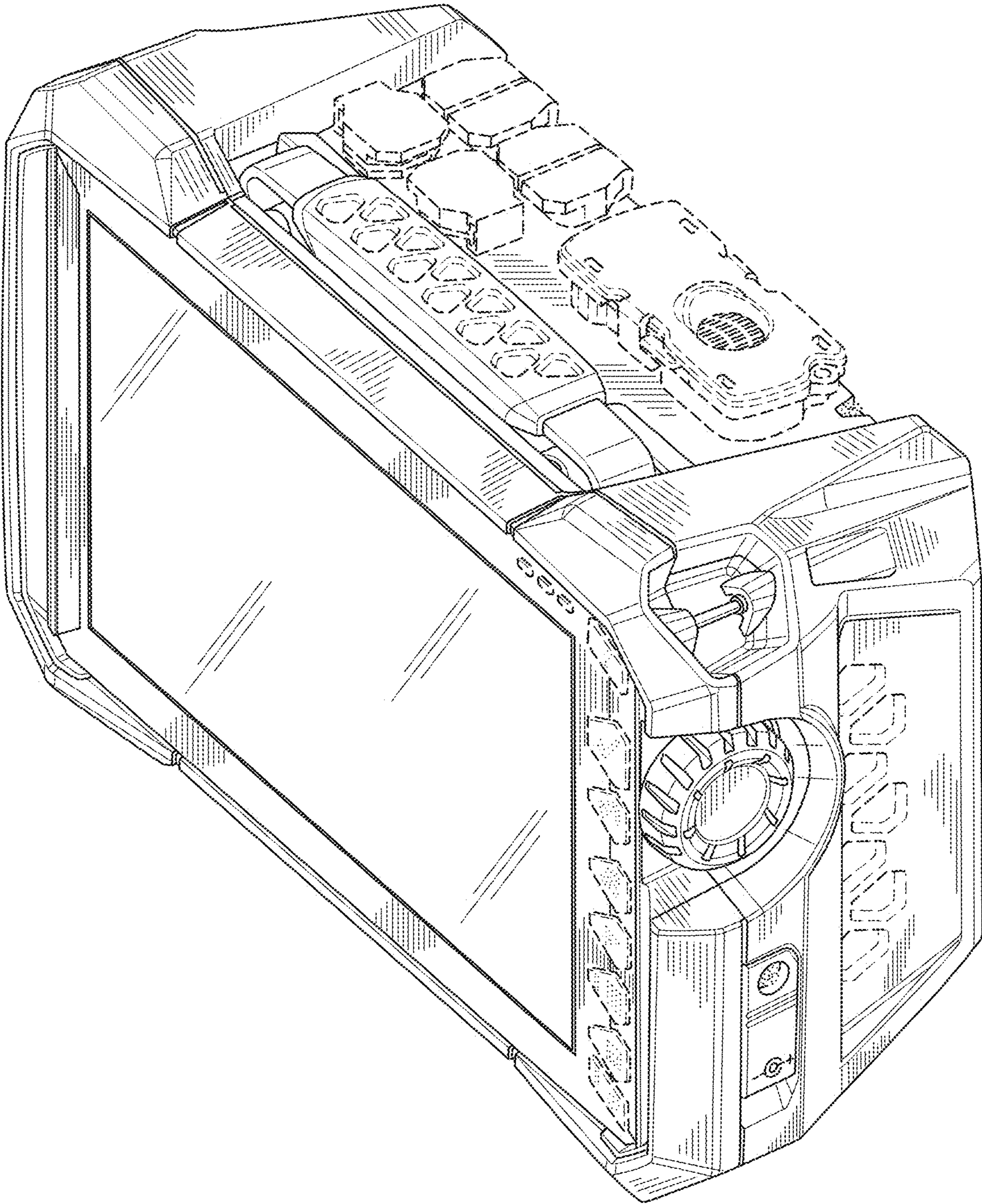


FIG. 1

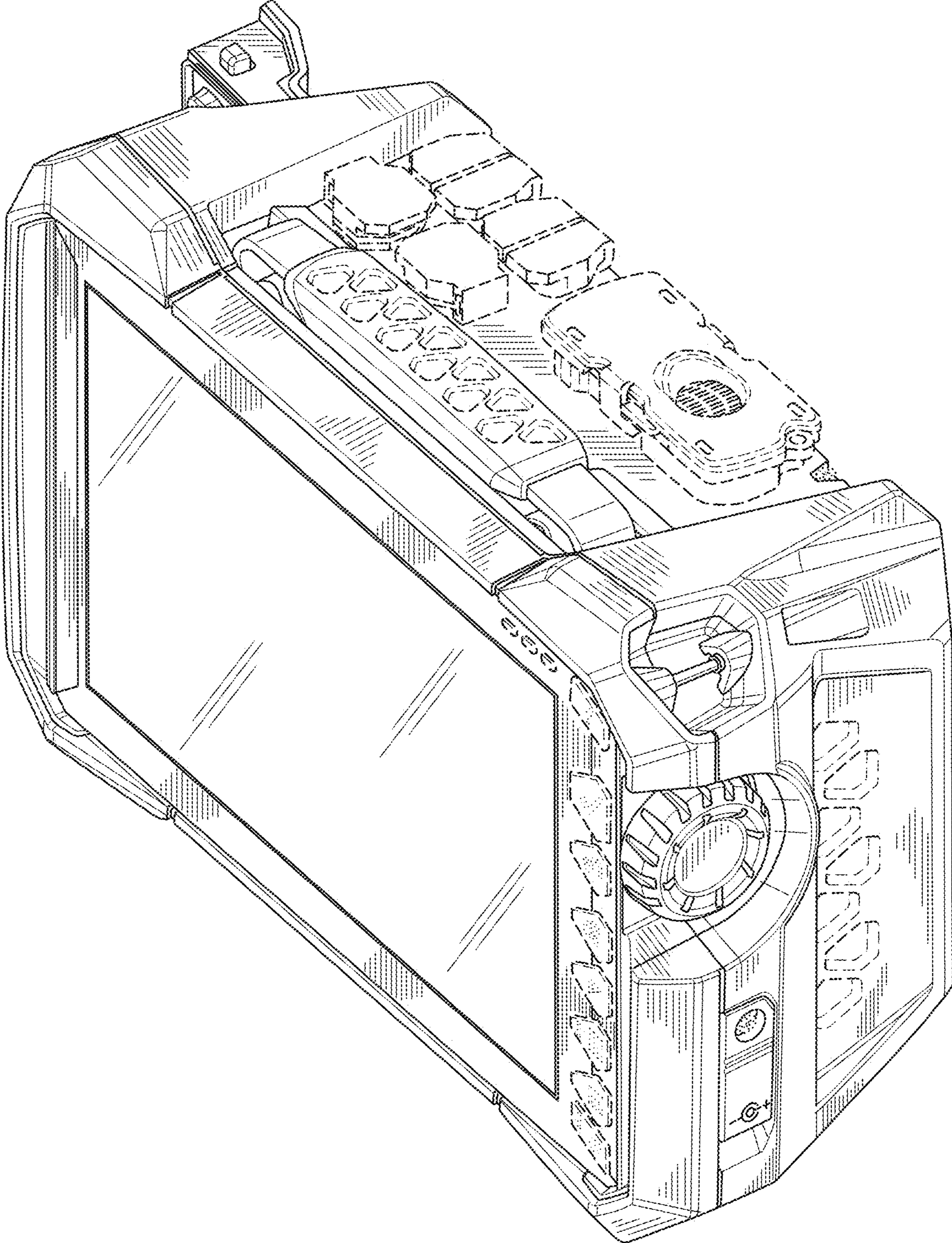


FIG. 2

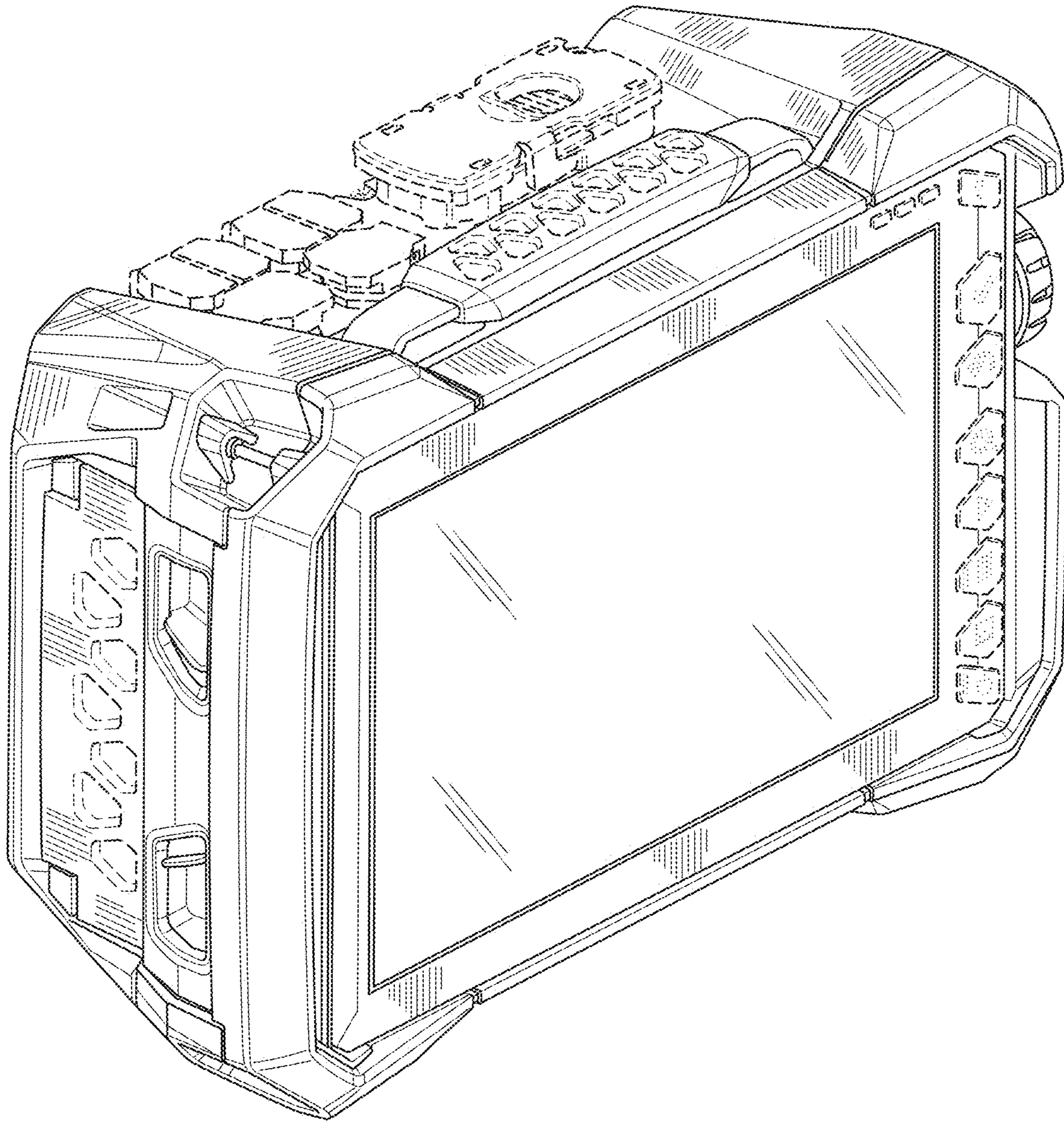


FIG. 3

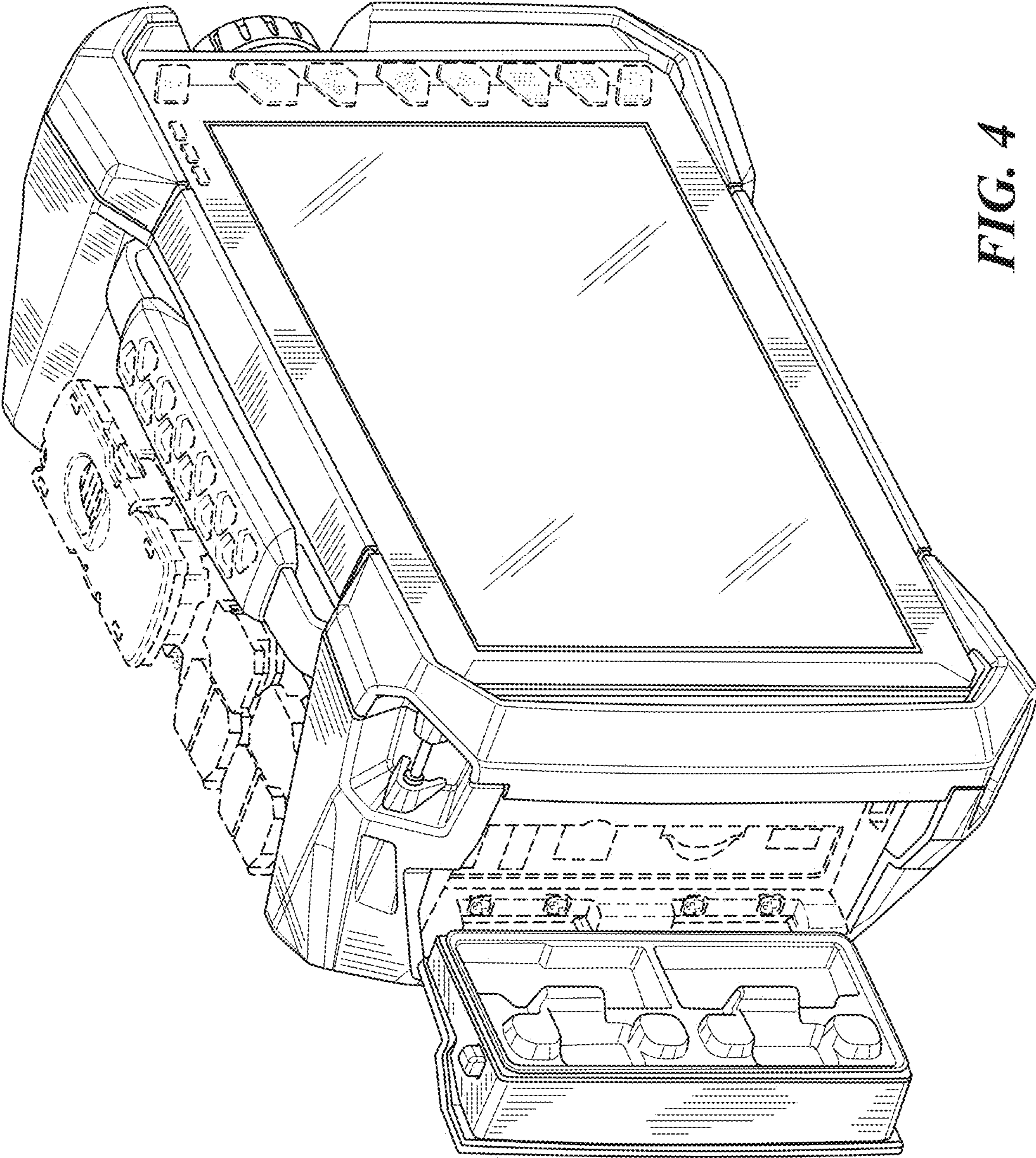


FIG. 4

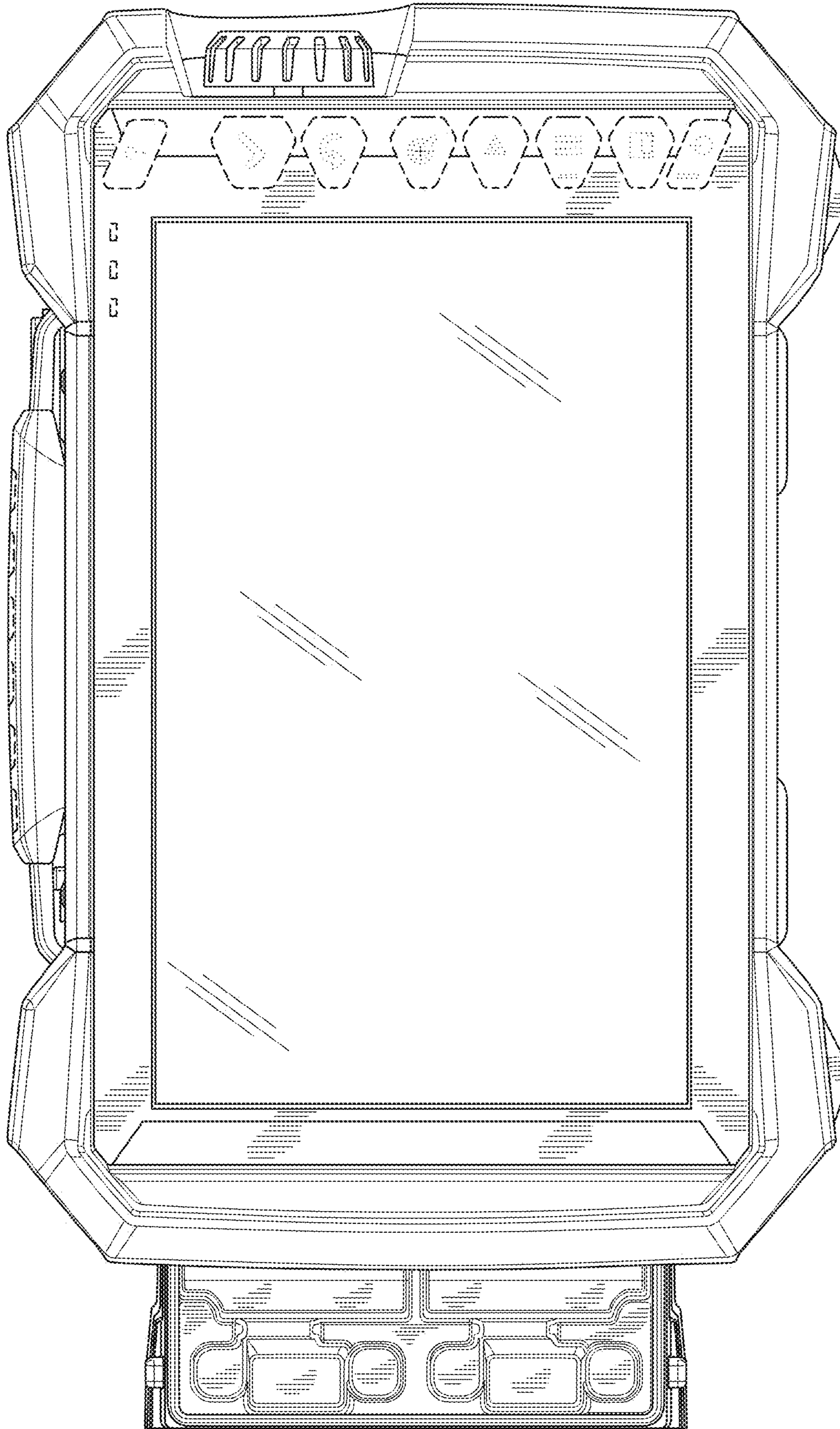


FIG. 5

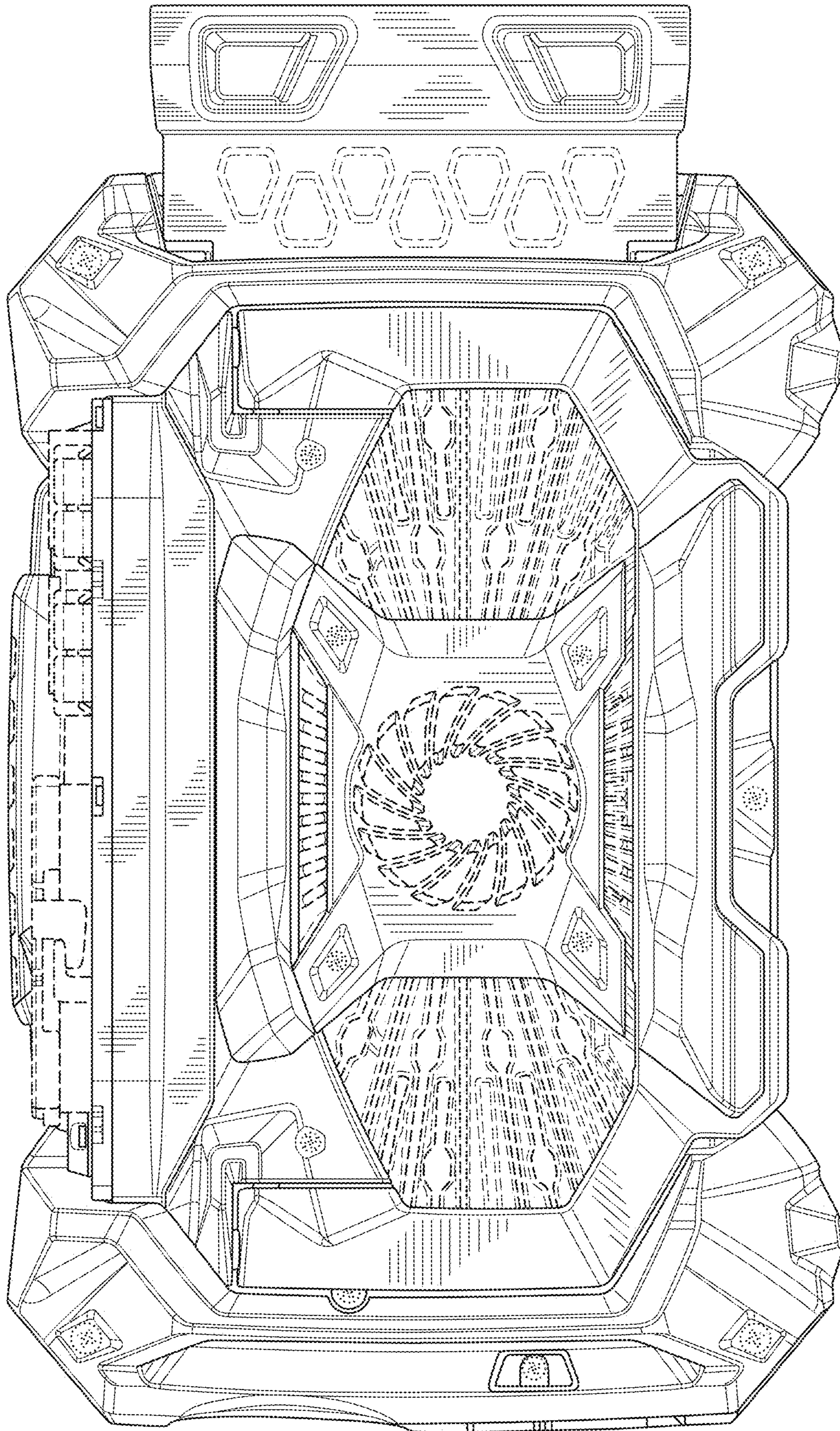


FIG. 6

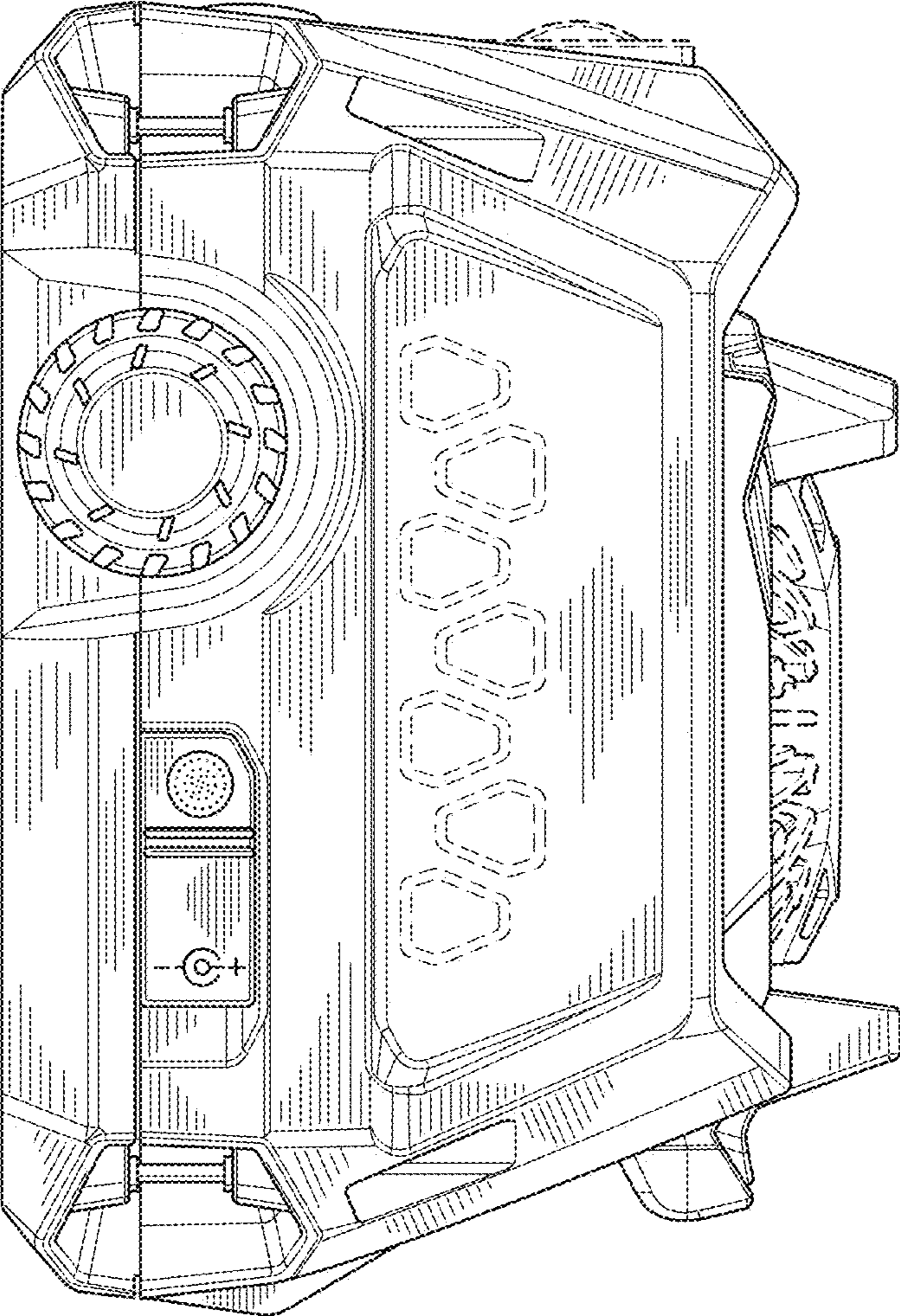


FIG. 7

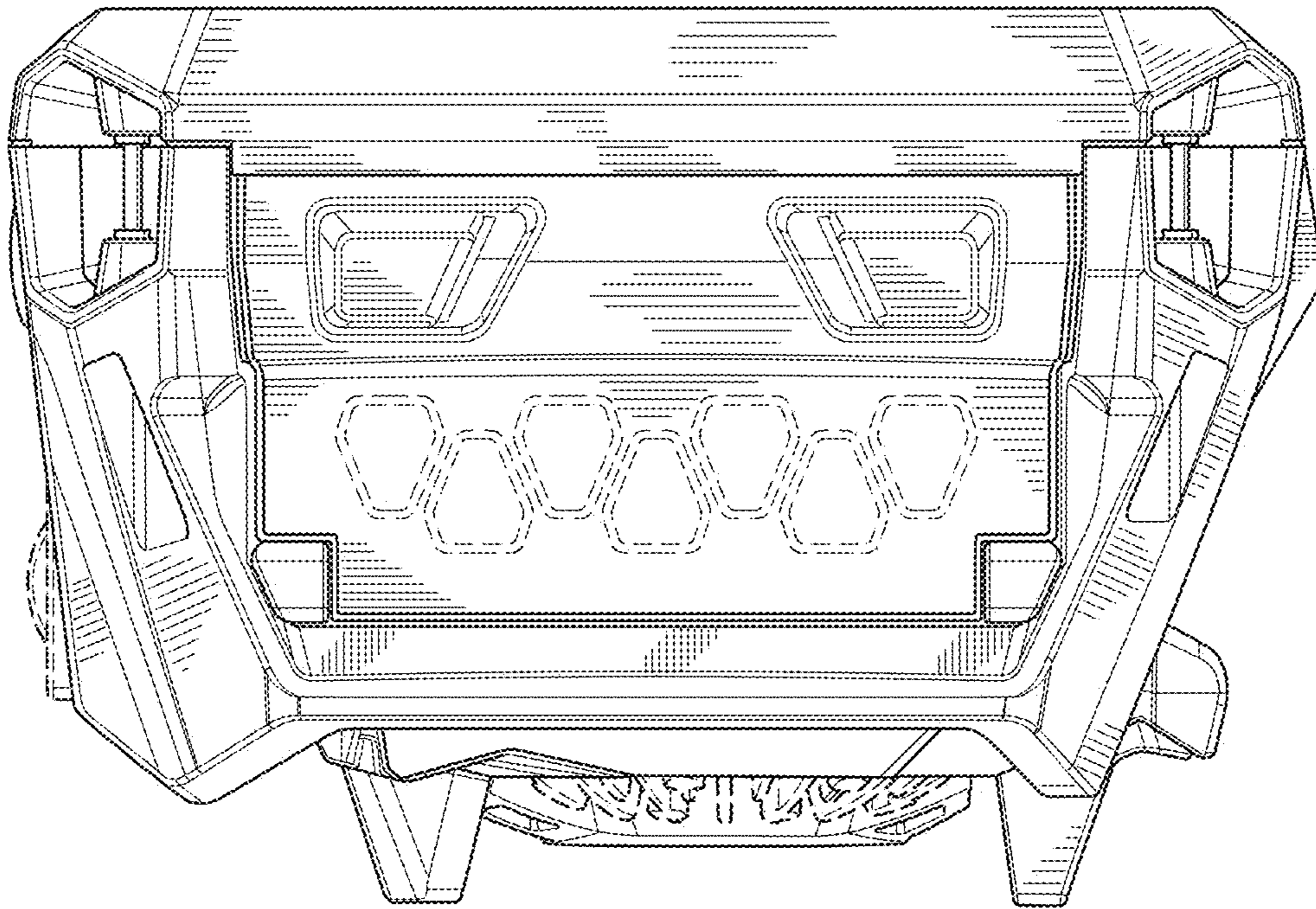


FIG. 9

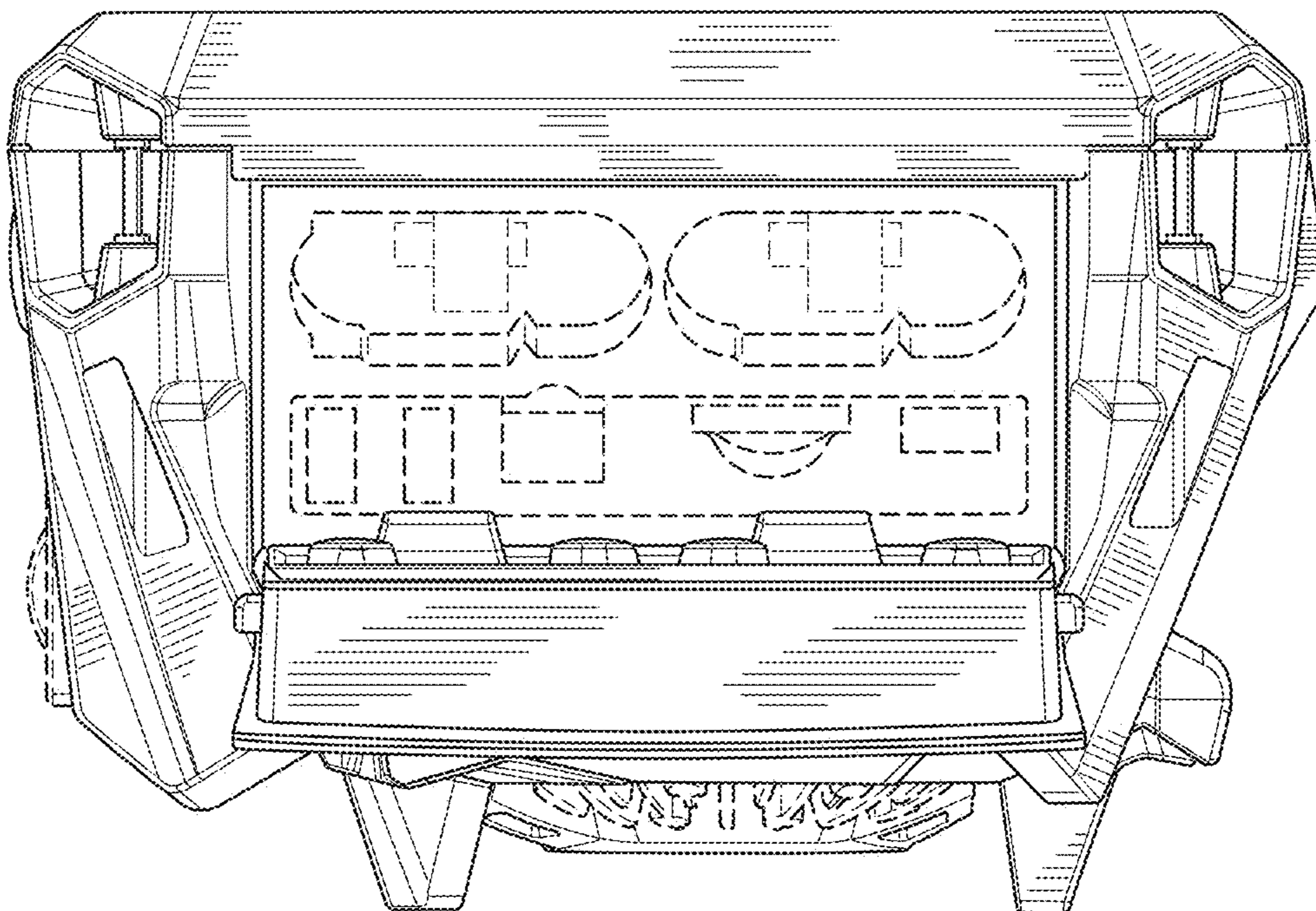


FIG. 8

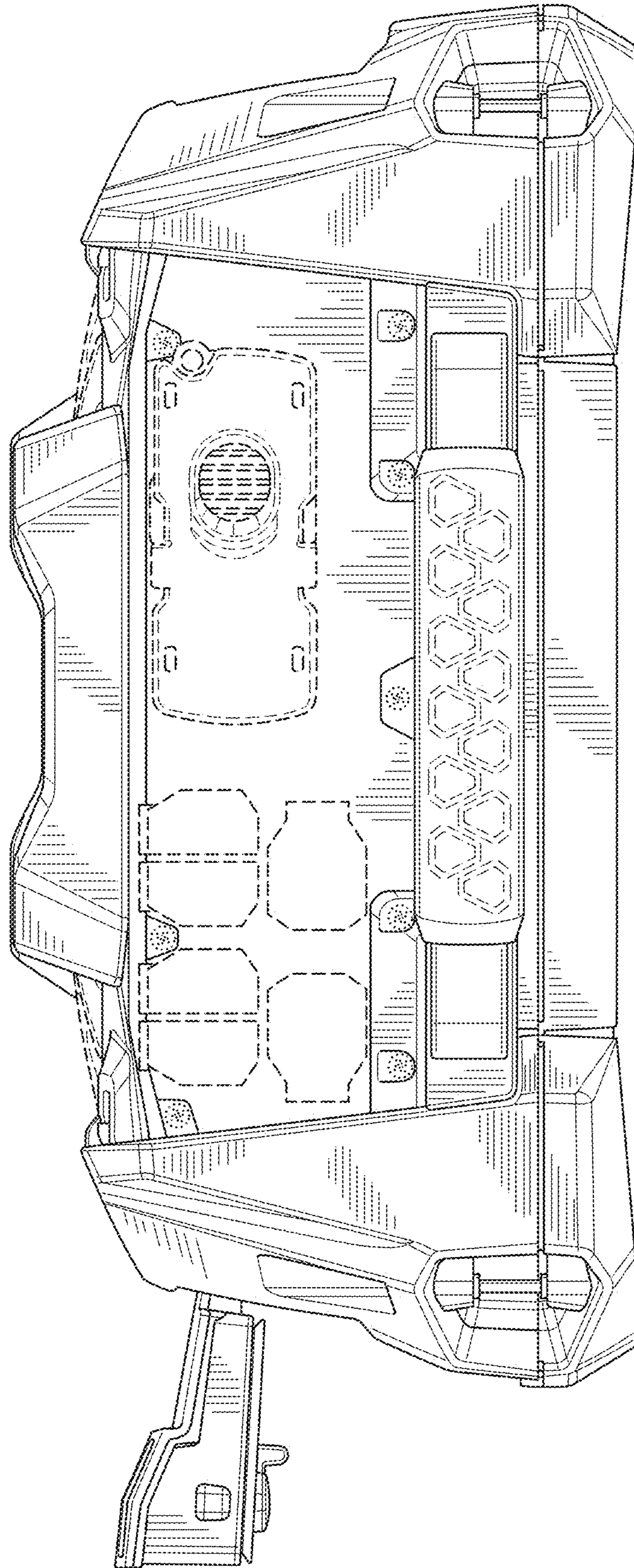


FIG. 10

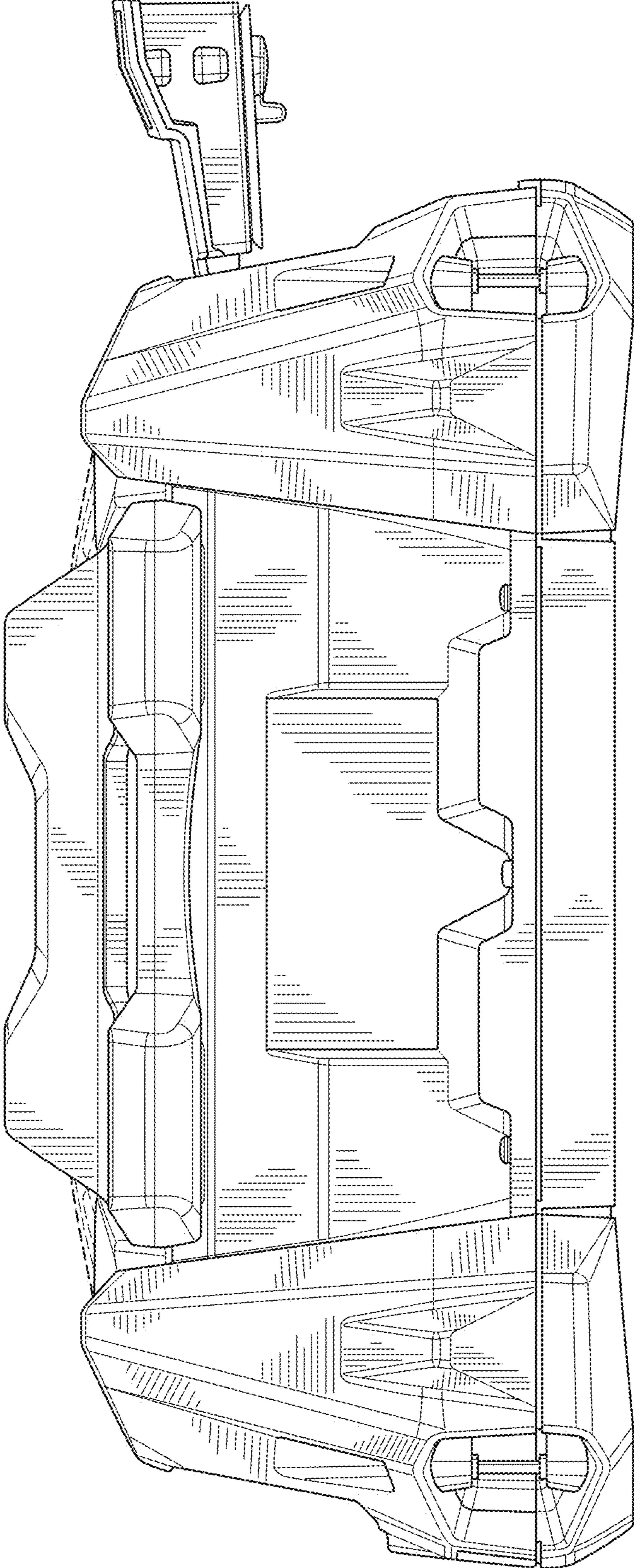


FIG. 11

UNITED STATES PATENT AND TRADEMARK OFFICE
CERTIFICATE OF CORRECTION

PATENT NO. : D909,900 S
APPLICATION NO. : 29/678815
DATED : February 9, 2021
INVENTOR(S) : Larose et al.

Page 1 of 1

It is certified that error appears in the above-identified patent and that said Letters Patent is hereby corrected as shown below:

On the Title Page

In Column 2, under "Description", Line 15, after "position", insert ---

In Column 2, under "Description", Line 21, after "position", insert ---

In Column 2, under "Description", Line 27, after "position", insert ---

Signed and Sealed this
Twenty-fifth Day of May, 2021



Drew Hirshfeld
*Performing the Functions and Duties of the
Under Secretary of Commerce for Intellectual Property and
Director of the United States Patent and Trademark Office*