



US00D909899S

(12) **United States Design Patent** (10) **Patent No.:** **US D909,899 S**
Clayton et al. (45) **Date of Patent:** **** Feb. 9, 2021**

(54) **HOUSING FOR A TEST AND MEASUREMENT INSTRUMENT**

(71) Applicant: **Tektronix, Inc.**, Beaverton, OR (US)

(72) Inventors: **Neil Clayton**, Hillsboro, OR (US);
Robert R. Kreitzer, Tigard, OR (US);
Gary J. Waldo, Hillsboro, OR (US);
Jonah S. Griffith, Seattle, WA (US);
Aaron Piazza, Lake Forest Park, WA (US)

(73) Assignee: **Tektronix, Inc.**, Beaverton, OR (US)

(**) Term: **15 Years**

(21) Appl. No.: **29/678,101**

(22) Filed: **Jan. 25, 2019**

(51) **LOC (13) Cl.** **10-04**

(52) **U.S. Cl.**
USPC **D10/76**

(58) **Field of Classification Search**
USPC D10/76
CPC G01R 13/20; G01R 13/202; G01R 13/405;
G01R 13/208; G01R 13/204; G01R
13/206; G01R 13/22; G01R 13/225;
G01R 13/24; G01R 13/2245; G01R
13/26; G01R 13/28; G01R 13/30; G01R
13/305; G01R 13/32; G01R 13/325;
G01R 13/34; G01R 13/347; G01R
13/342; G01R 13/345; G01R 13/36;
G01R 13/38; G01R 13/40; G01R 13/401;
G01R 13/402; G01R 13/403; G01R
13/404; G01R 13/406; G01R 13/407;
G01R 13/408; G01R 13/42; G01R
31/316; G01R 31/3161; G01R 31/3163;
G01R 31/3137; G01R 13/0254
See application file for complete search history.

D820,127 S * 6/2018 Kreitzer D10/76
* cited by examiner

Primary Examiner — Antoine Duval Davis

(74) *Attorney, Agent, or Firm* — Miller Nash Graham & Dunn; Andrew J. Harrington

(57) **CLAIM**

The ornamental design for a housing for a test and measurement instrument, as shown and described.

DESCRIPTION

FIG. 1 is a front-side isometric view of a housing for a test and measurement instrument;

FIG. 2 is a rear-side isometric view of the housing for a test and measurement instrument of FIG. 1;

FIG. 3 is a front view of the housing for a test and measurement instrument of FIG. 1;

FIG. 4 is a rear view of the housing for a test and measurement instrument of FIG. 1;

FIG. 5 is a left-side view of the housing for a test and measurement instrument of FIG. 1;

FIG. 6 is a right-side view of the housing for a test and measurement instrument of FIG. 1;

FIG. 7 is a top view of the housing for a test and measurement instrument of FIG. 1;

FIG. 8 is a bottom view of the housing for a test and measurement instrument of FIG. 1;

FIG. 9 is a front-side isometric view of an alternative embodiment of a housing for a test and measurement instrument; and,

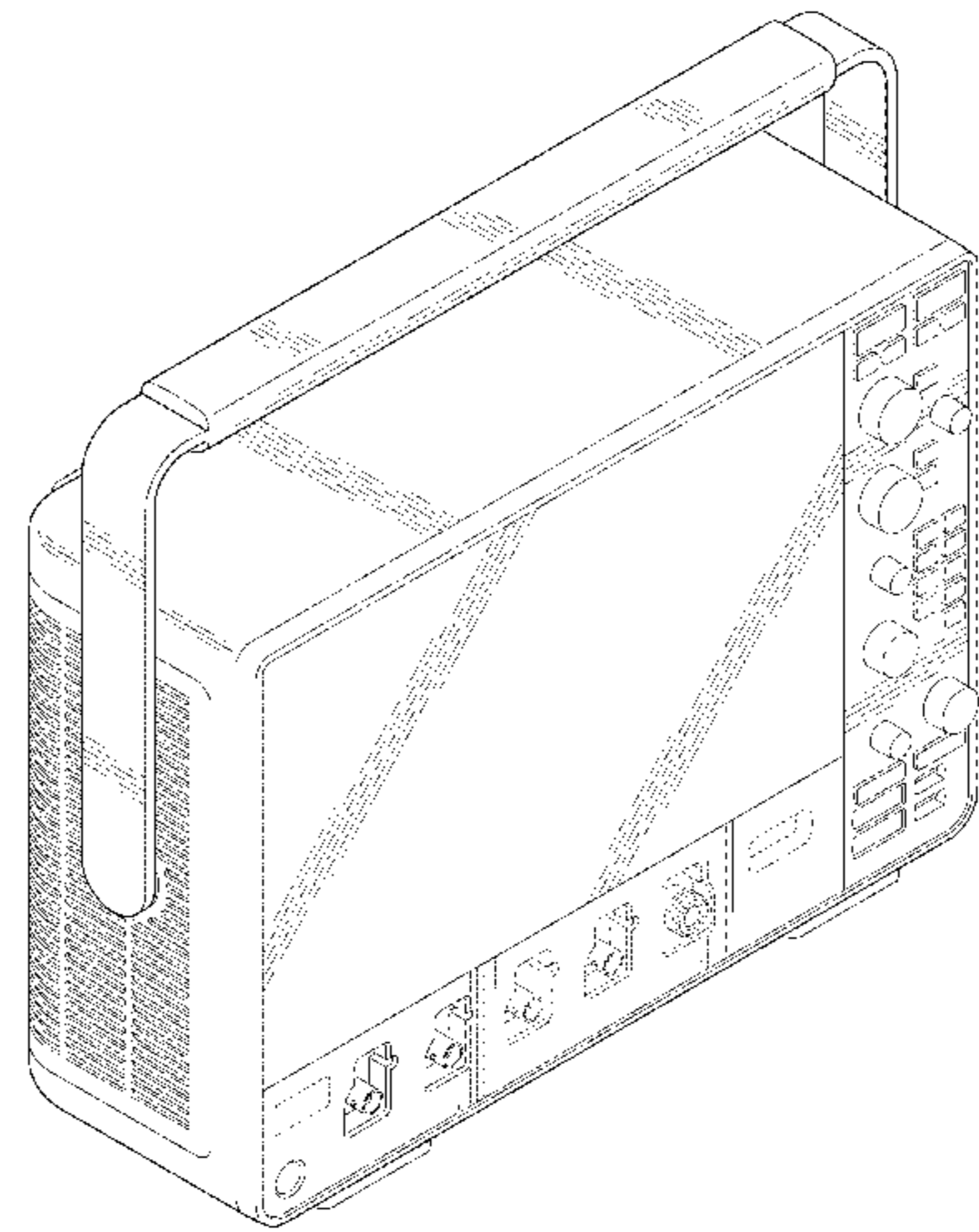
FIG. 10 is a front view of the housing for a test and measurement instrument of FIG. 9.

(Continued)

(56) **References Cited**

U.S. PATENT DOCUMENTS

8,195,413 B2 * 6/2012 Freidhof G01R 13/345
324/76.11



The portions of the housing for a test and measurement instrument shown in broken lines form no part of the claimed design.

1 Claim, 8 Drawing Sheets

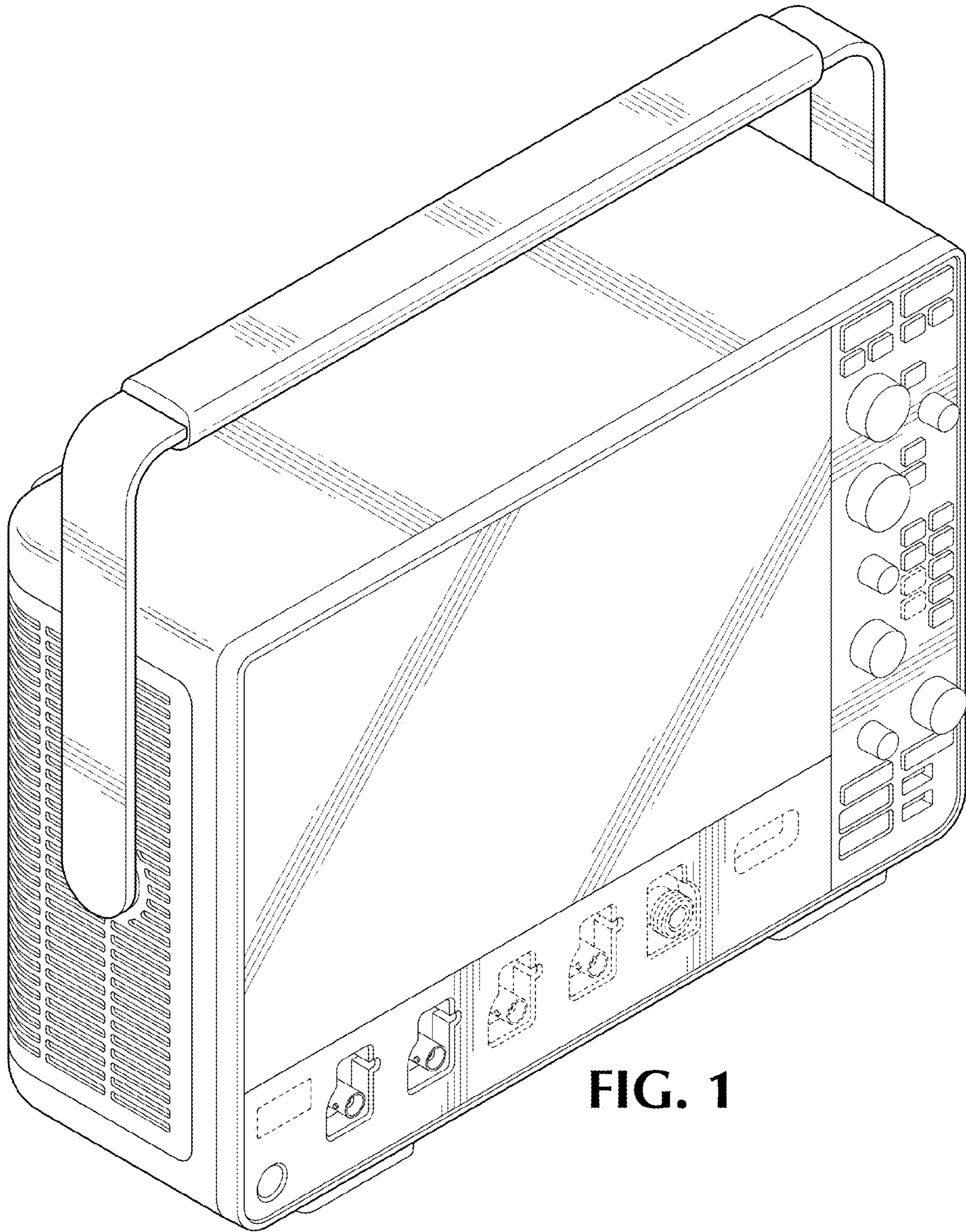


FIG. 1

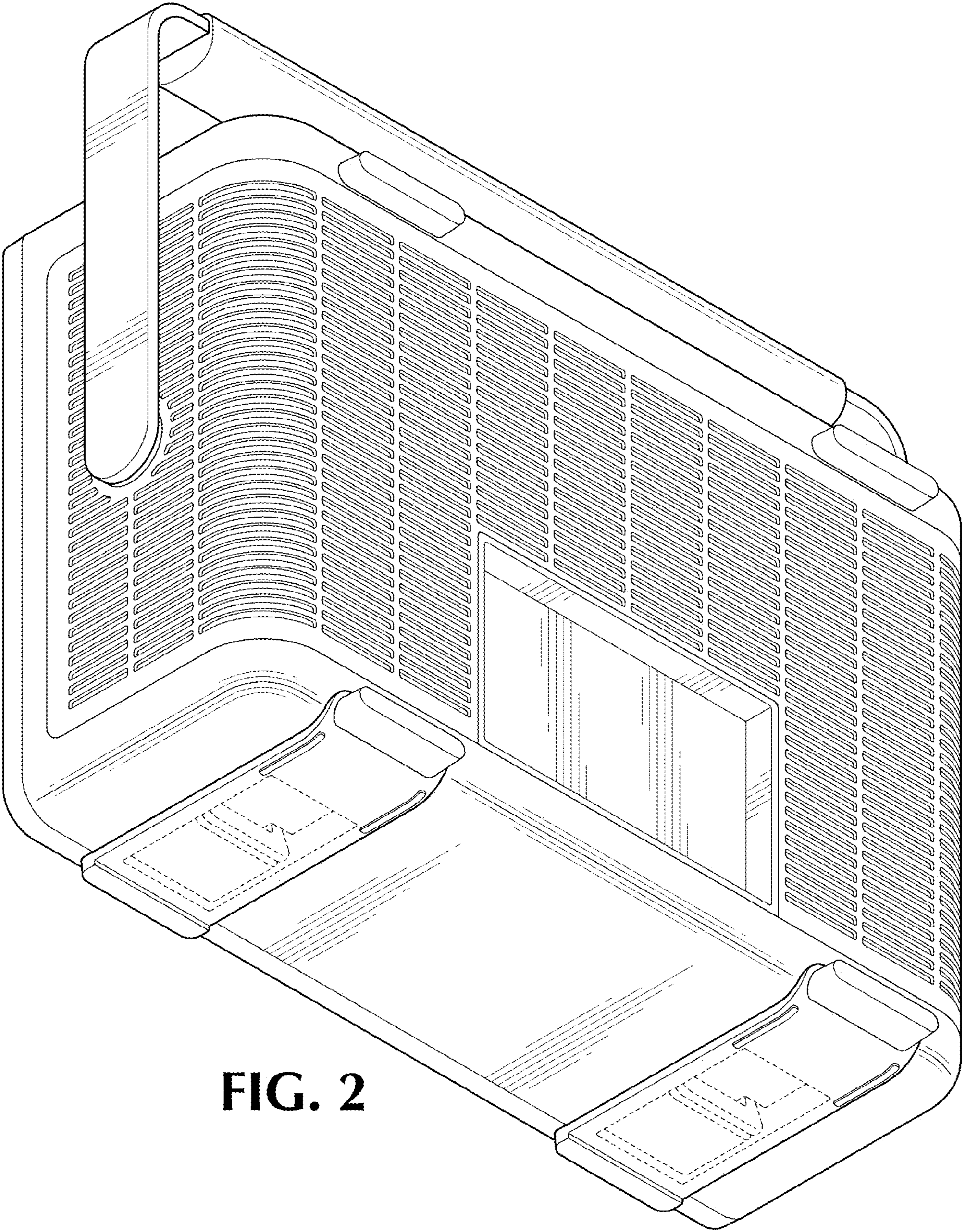


FIG. 2

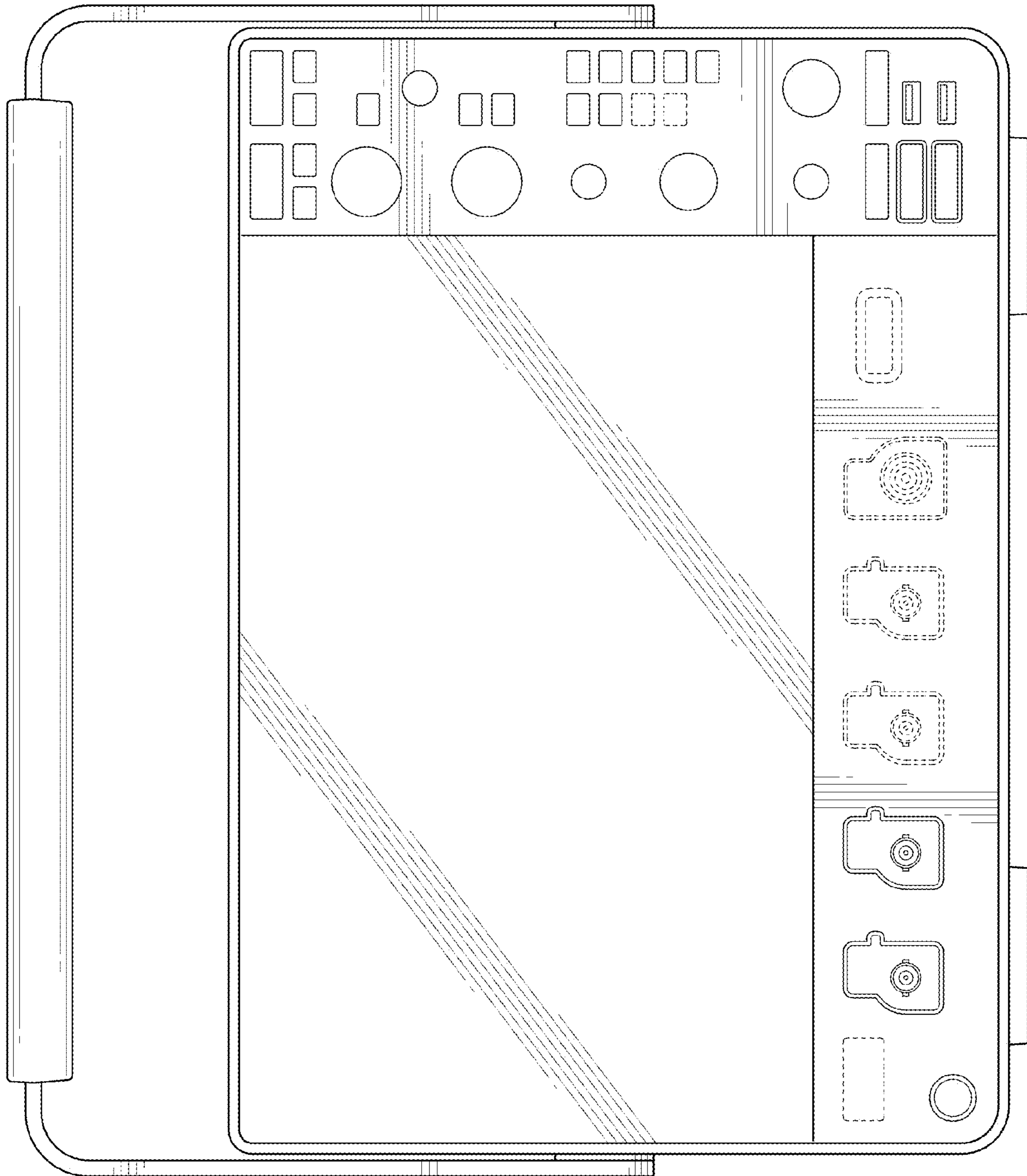


FIG. 3

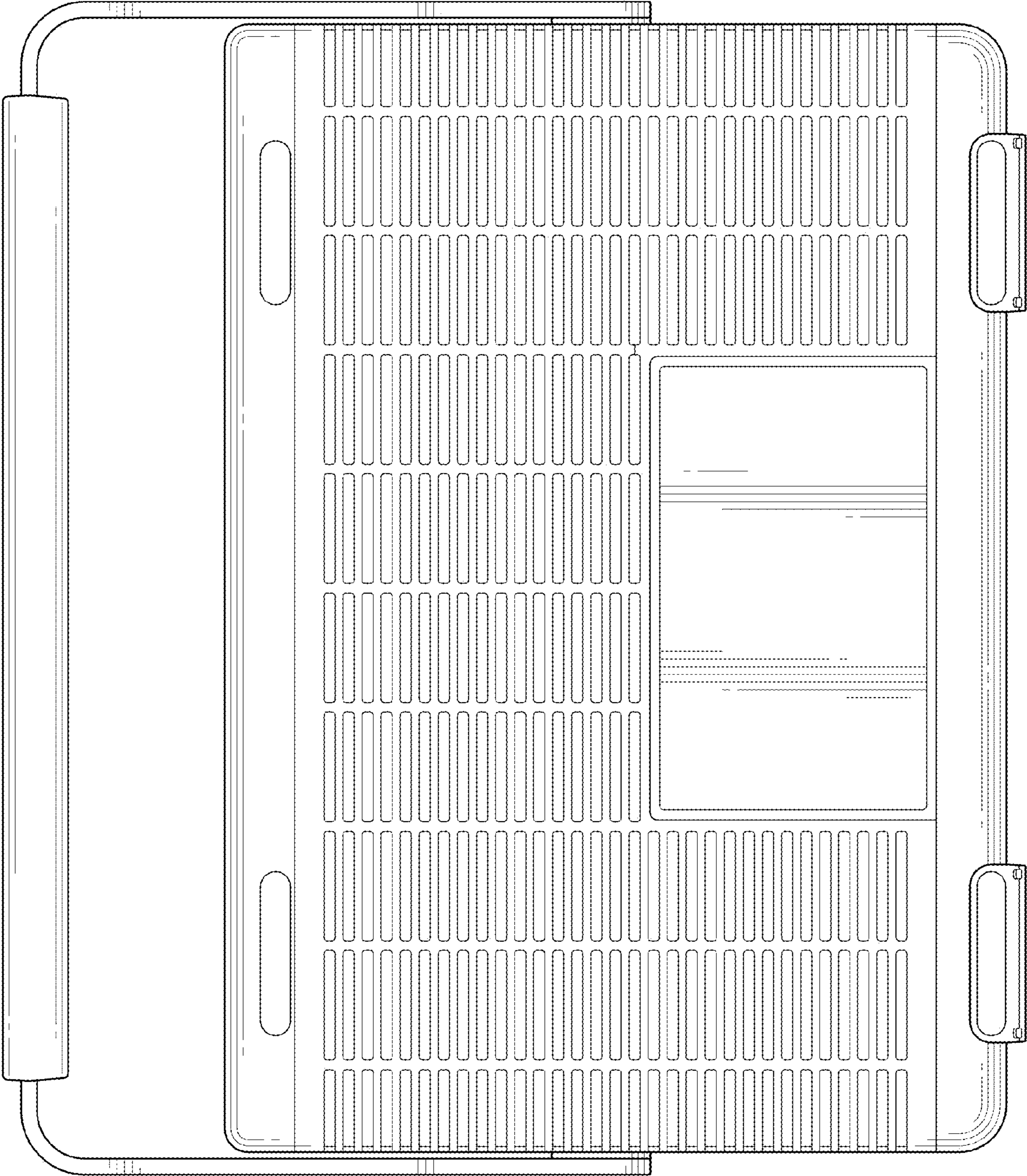


FIG. 4

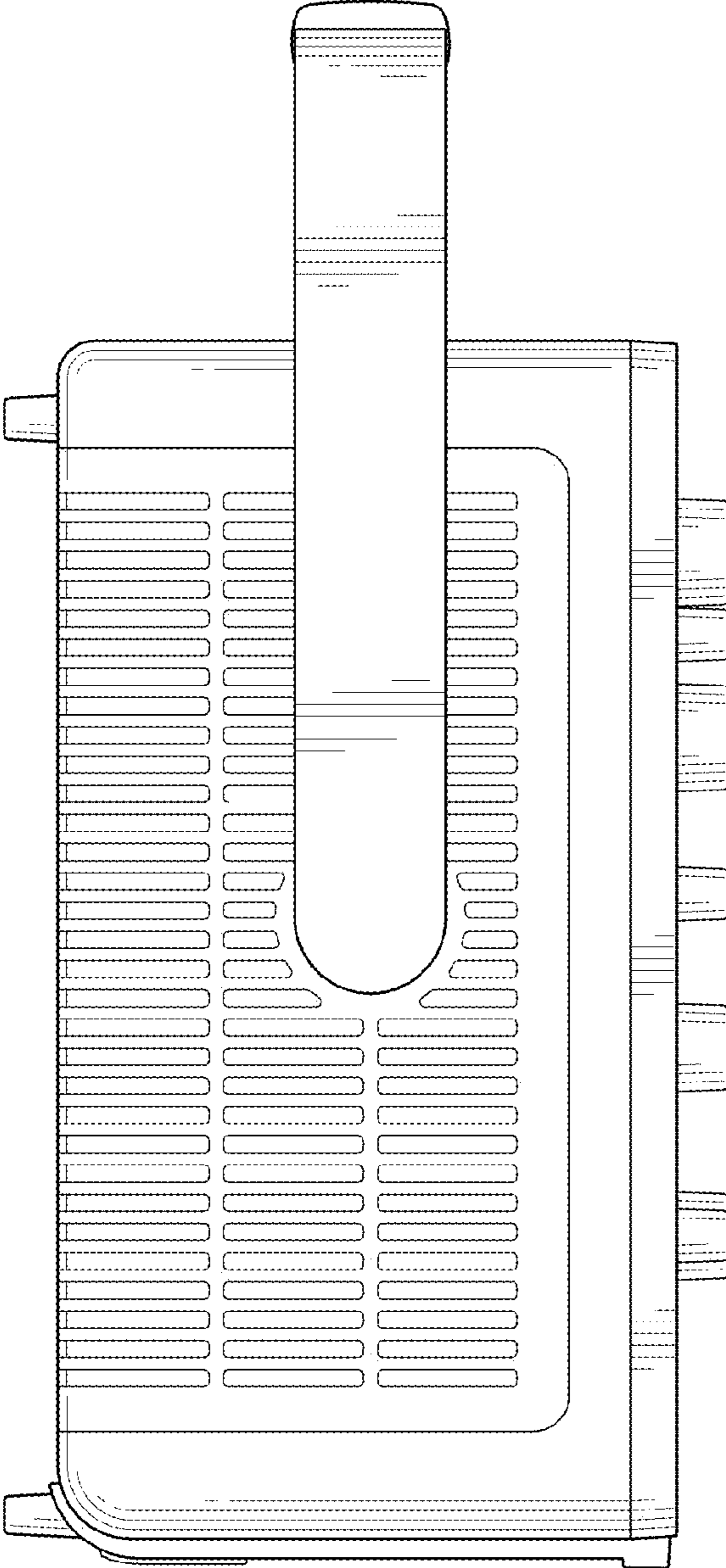


FIG. 5

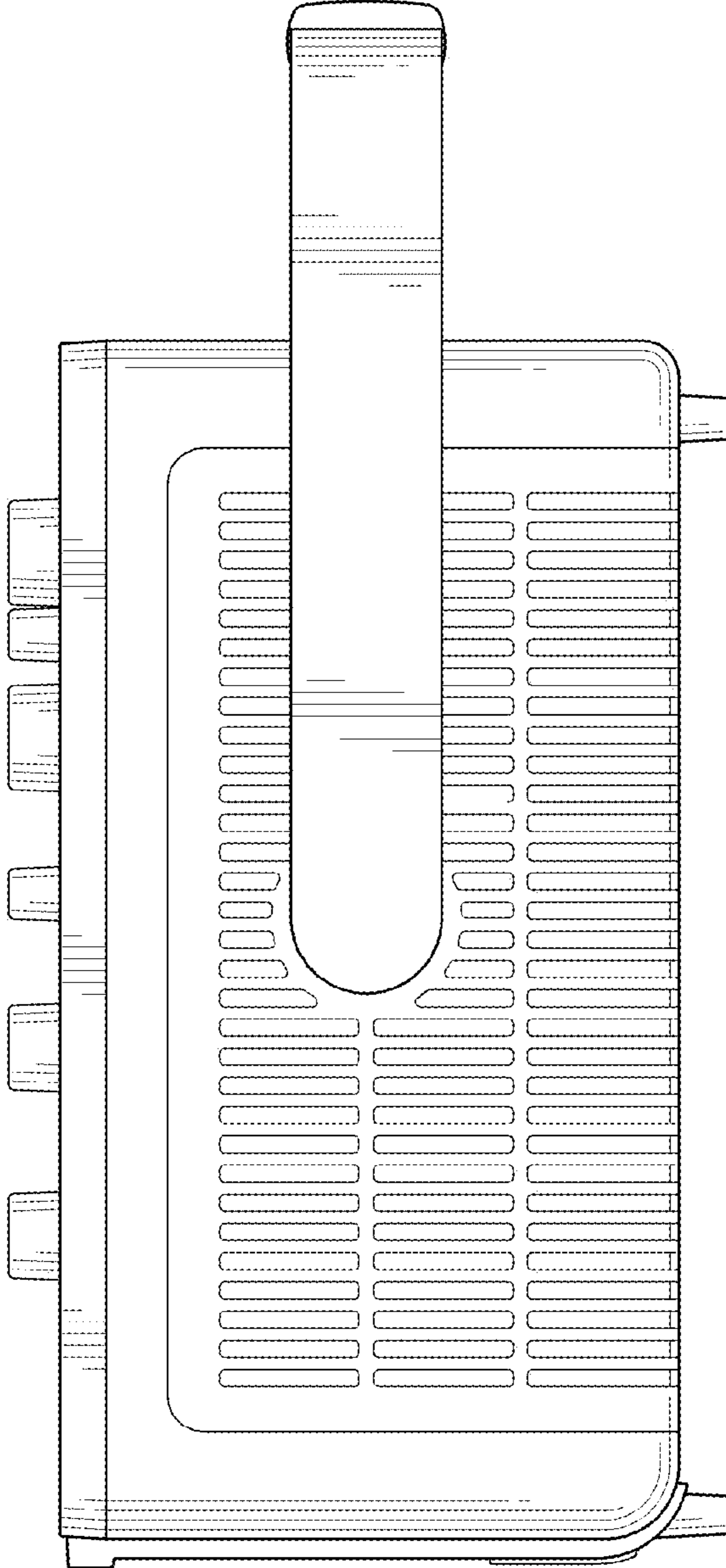


FIG. 6

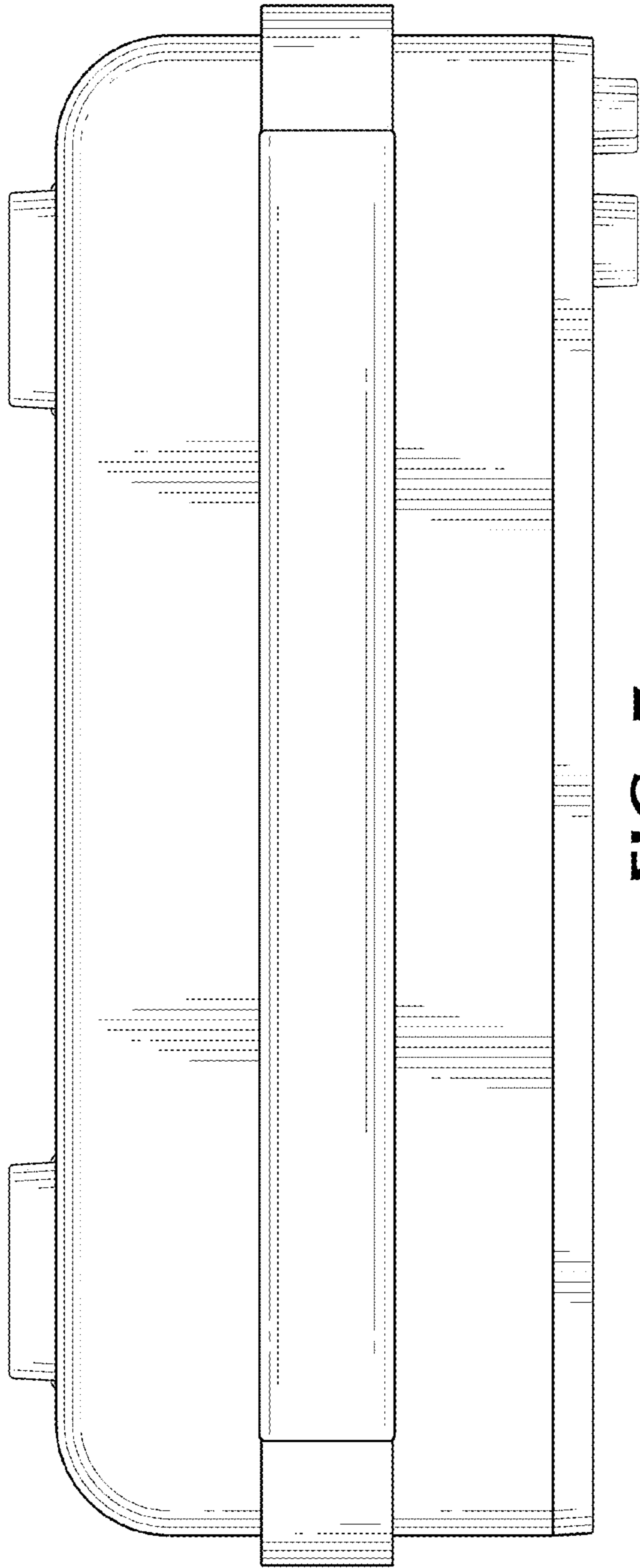


FIG. 7

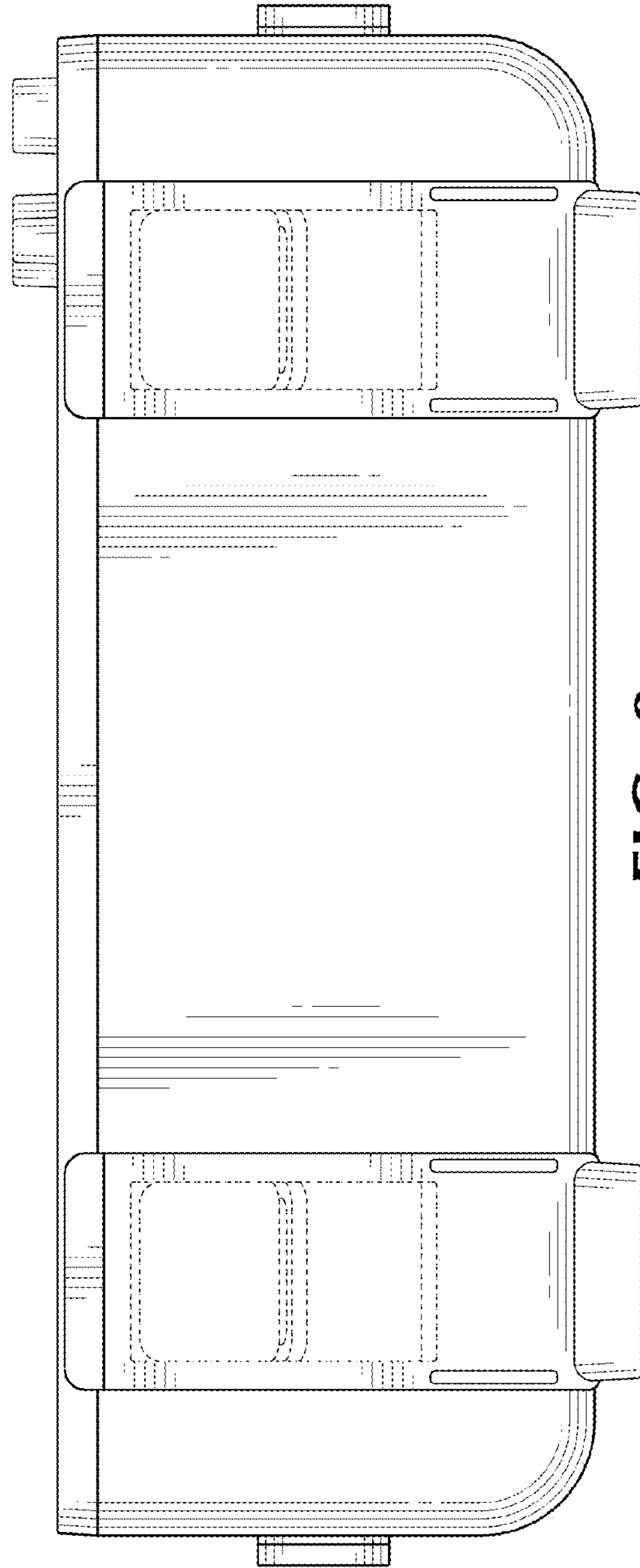


FIG. 8

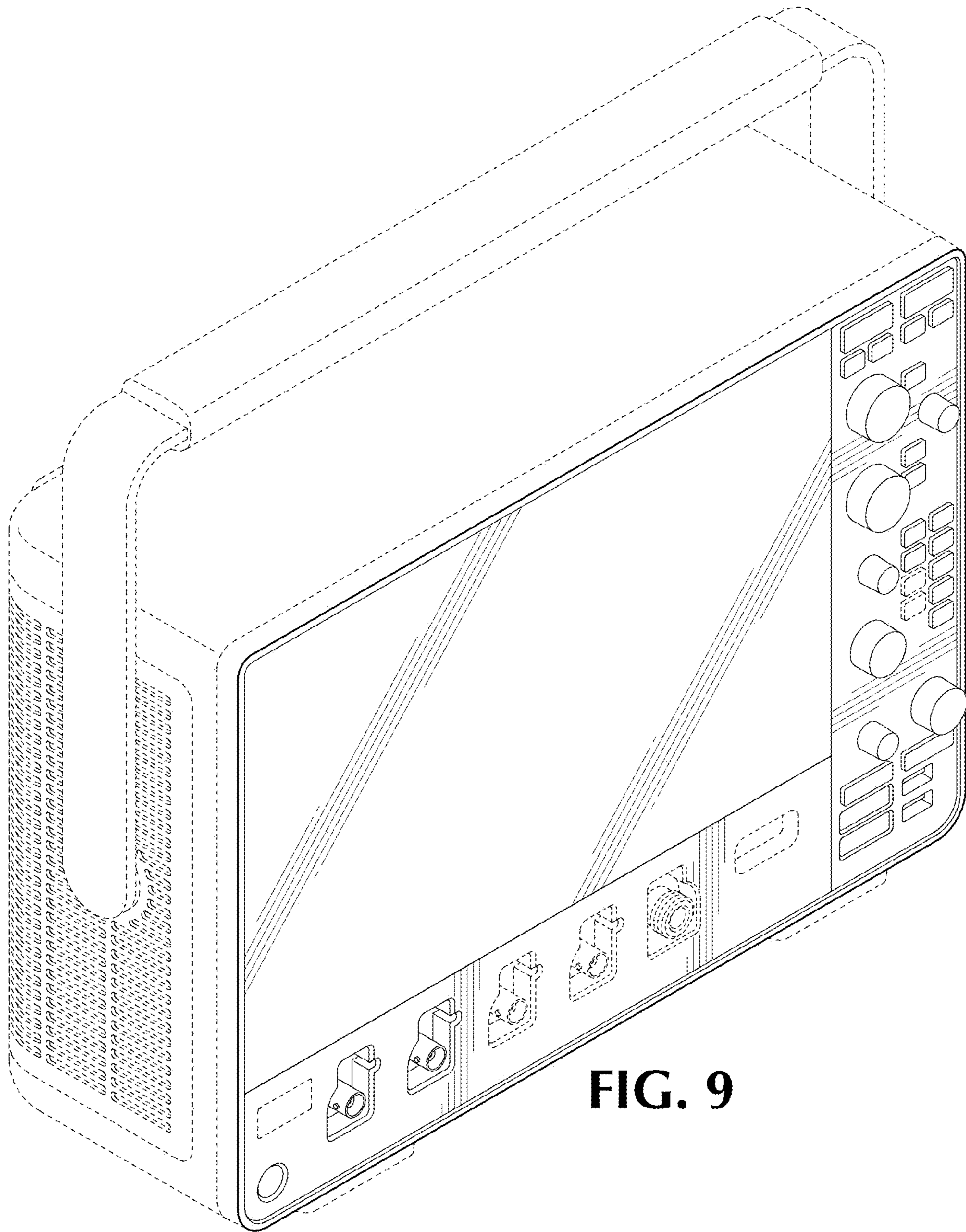


FIG. 9

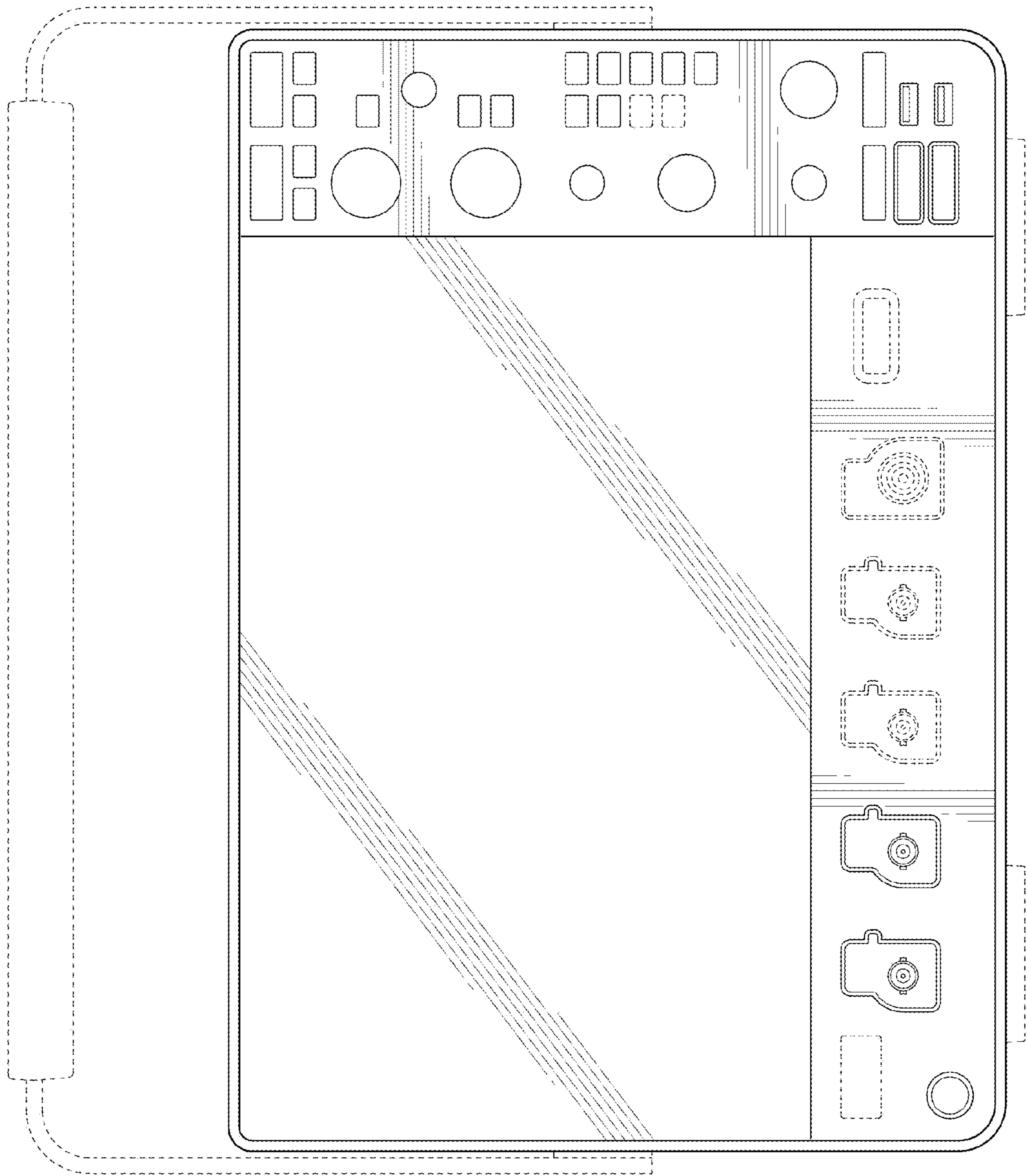


FIG. 10