



US00D909898S

(12) **United States Design Patent**
Sullivan

(10) **Patent No.:** **US D909,898 S**

(45) **Date of Patent:** **** Feb. 9, 2021**

(54) **CLIP FOR HOLDING A BUBBLE LEVEL VIAL**

(71) Applicant: **Scott Sullivan**, San Francisco, CA (US)

(72) Inventor: **Scott Sullivan**, San Francisco, CA (US)

(**) Term: **15 Years**

(21) Appl. No.: **29/687,818**

(22) Filed: **Apr. 16, 2019**

(51) **LOC (13) Cl.** **10-04**

(52) **U.S. Cl.**
USPC **D10/74**

(58) **Field of Classification Search**
USPC D10/74; D8/394, 395, 396
CPC ... G01C 9/26; G01C 9/28; G01C 9/34; G01C
9/18; G01C 9/24; G01C 9/32
See application file for complete search history.

(56) **References Cited**

U.S. PATENT DOCUMENTS

5,581,900 A * 12/1996 Payne F16B 2/06
248/229.13
5,799,404 A * 9/1998 Payne F16B 2/06
248/229.13

D723,399 S * 3/2015 Sullivan D10/69

* cited by examiner

Primary Examiner — Antoine Duval Davis

(57) **CLAIM**

The ornamental design for a clip for holding a bubble level vial, as shown and described.

DESCRIPTION

FIG. 1 is a front top perspective view of a clip for holding a bubble level vial showing my new design; FIG. 2 is a front bottom perspective view thereof; FIG. 3 is a rear elevation view thereof, including an exemplary bubble-level vial shown in broken lines; FIG. 4 is a front elevation view thereof; FIG. 5 is a left elevation view thereof; FIG. 6 is a right elevation view thereof; FIG. 7 is a bottom plan view thereof; and, FIG. 8 is top plan view thereof. The broken lines representing a bubble-level vial shown in FIG. 3 are for illustrative purposes only and form no part of the claimed design.

1 Claim, 5 Drawing Sheets

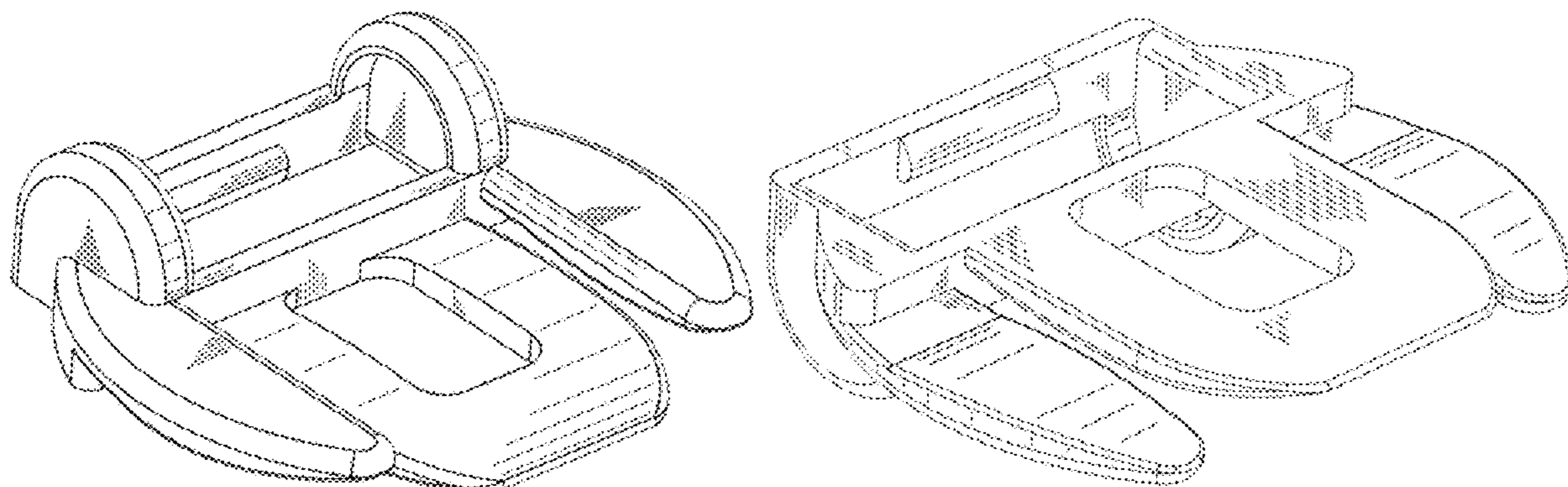


Figure 1

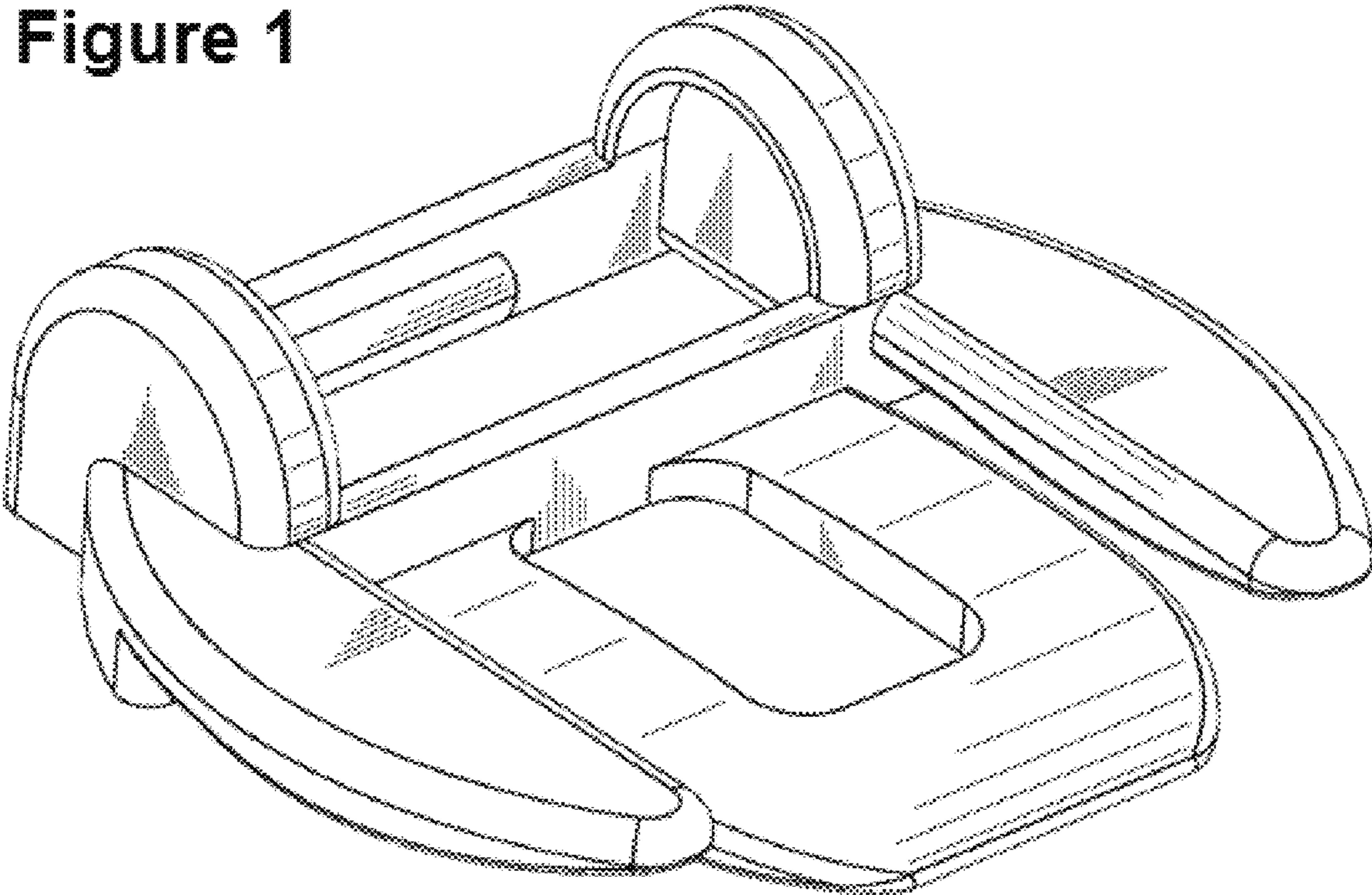


Figure 2

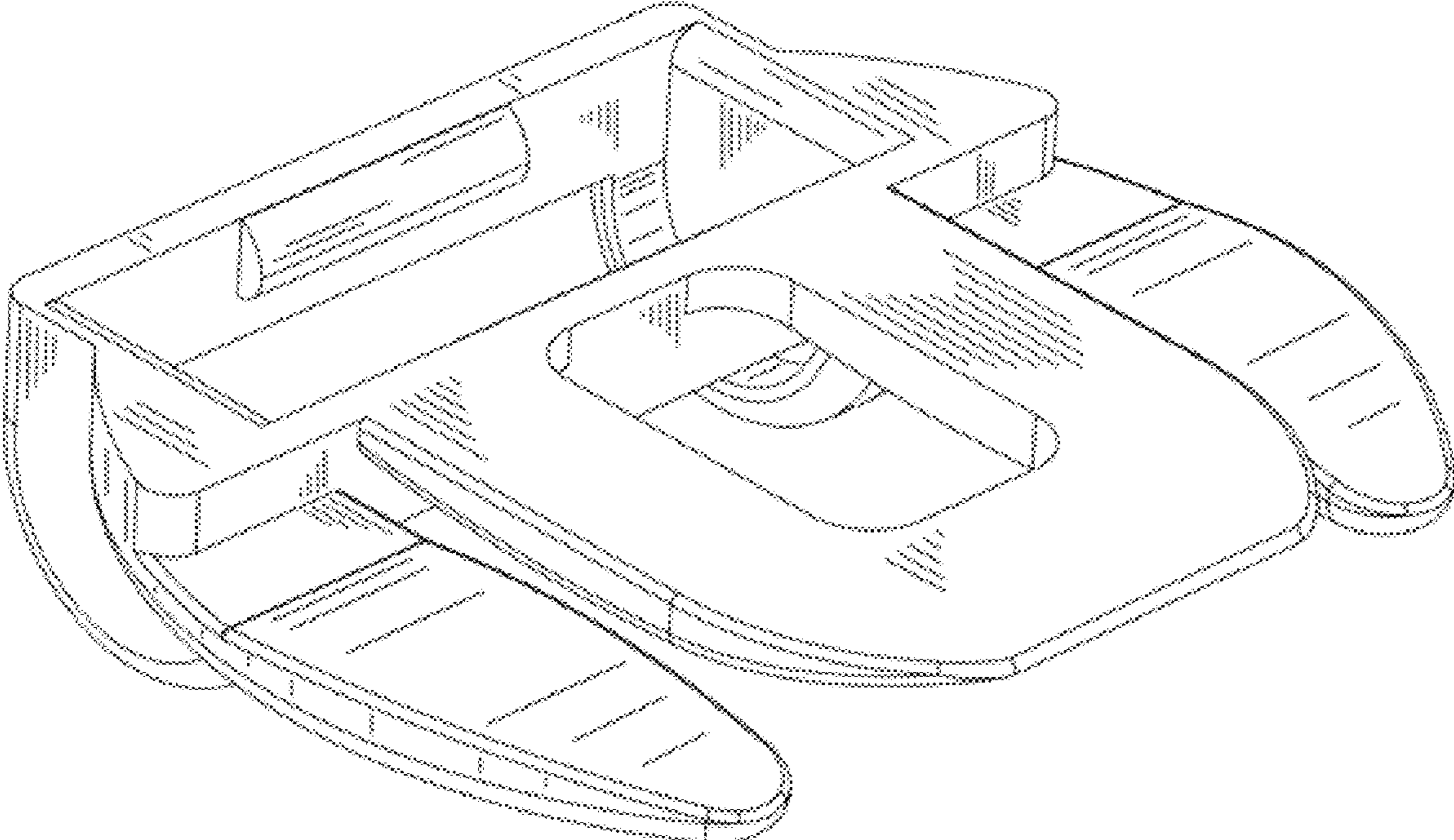


Figure 3

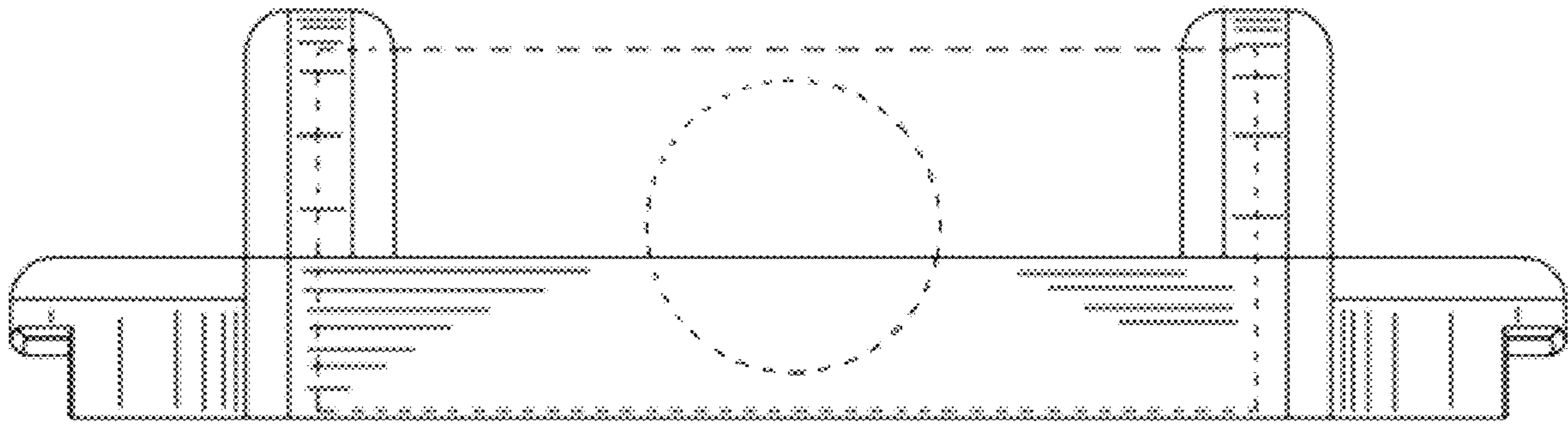


Figure 4

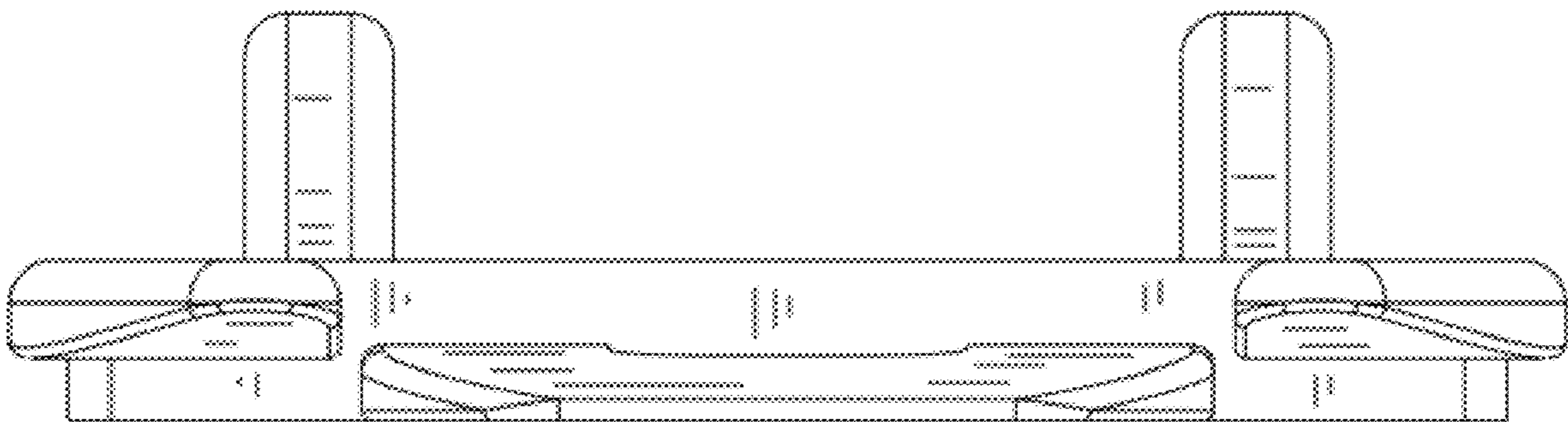


Figure 5

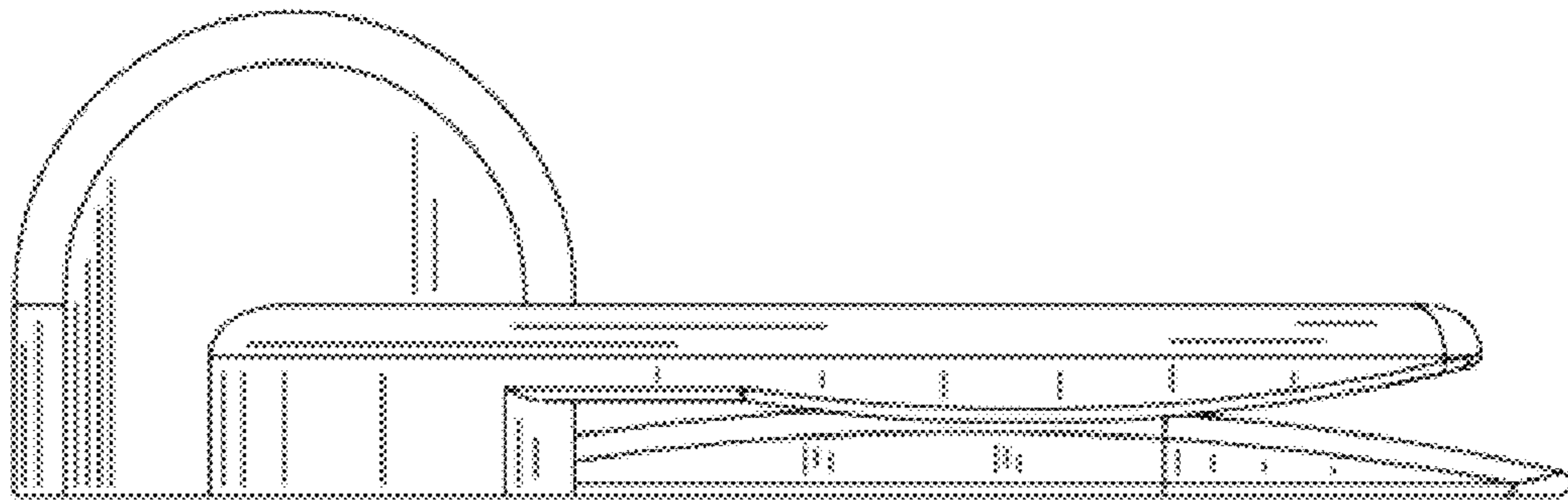


Figure 6

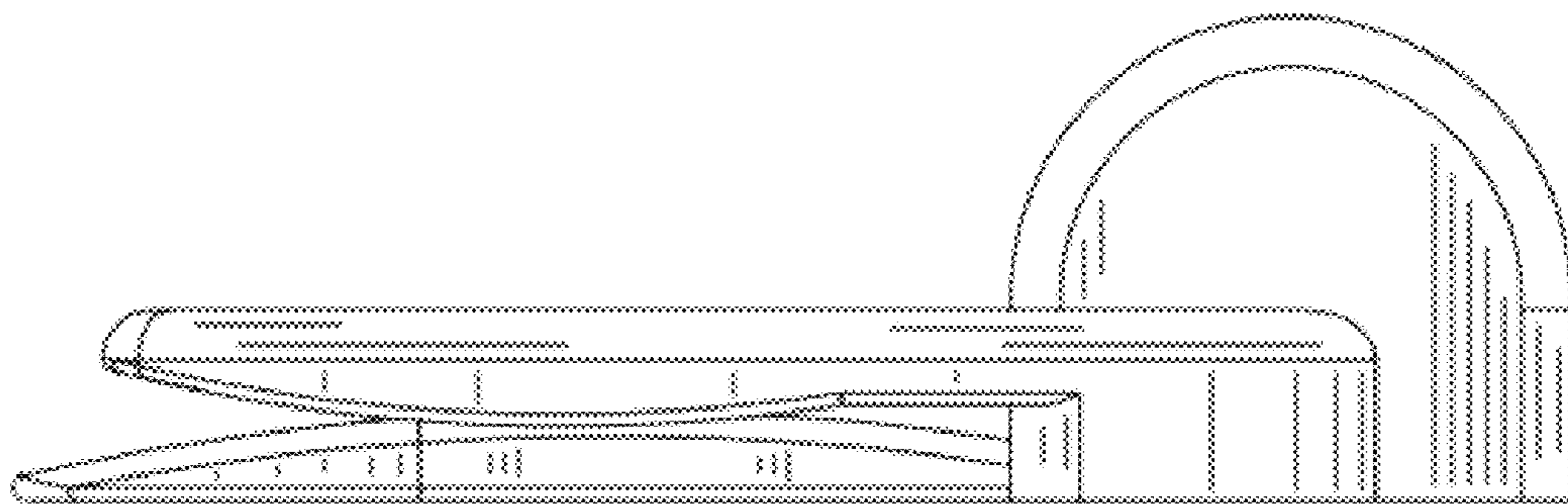


Figure 7

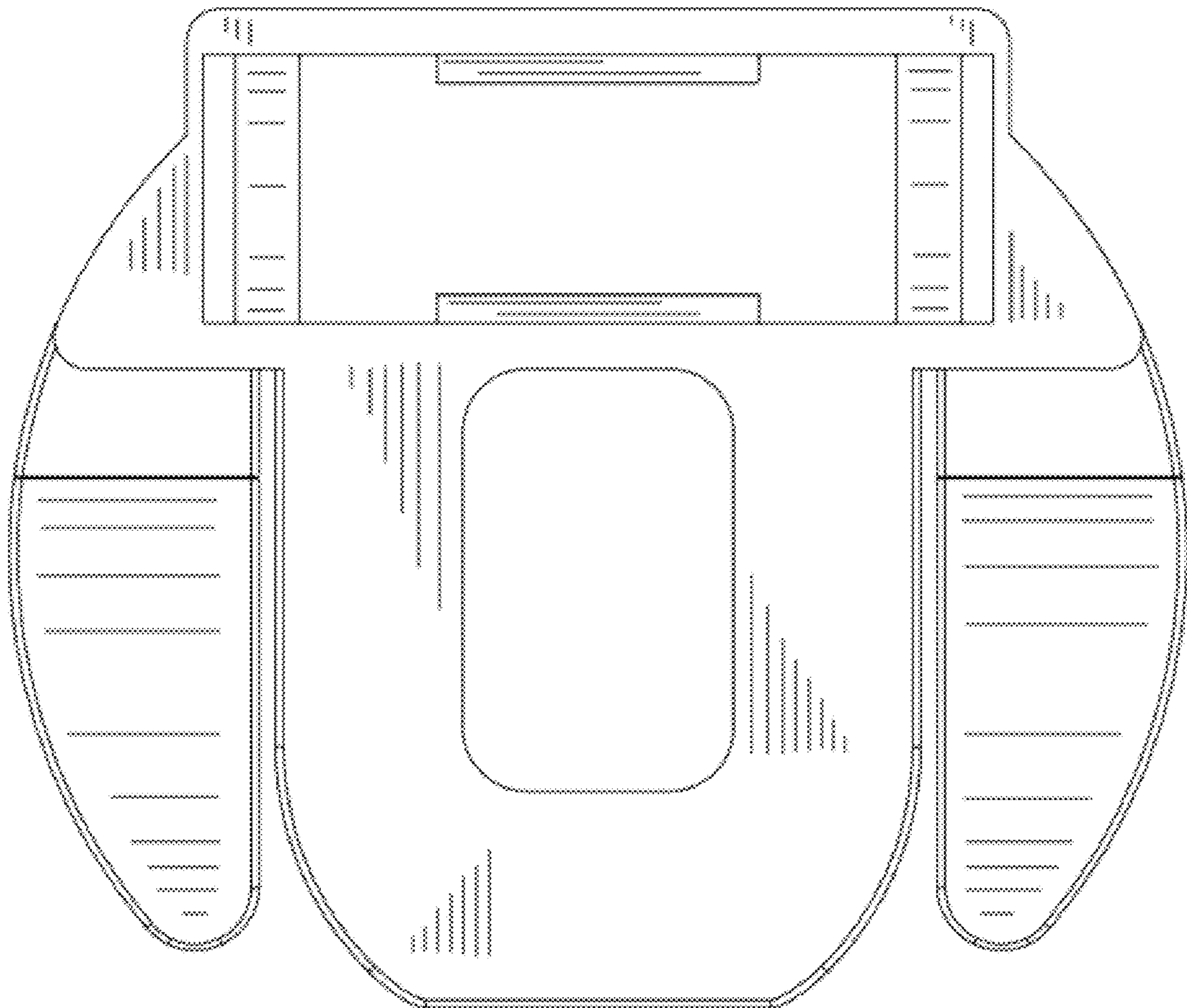


Figure 8

