



US00D909896S

(12) **United States Design Patent**
Jaschke et al.

(10) **Patent No.:** **US D909,896 S**

(45) **Date of Patent:** **** Feb. 9, 2021**

(54) **OPTICAL SCANNER**

(71) Applicant: **NavVis GmbH**, Munich (DE)
(72) Inventors: **Michael Jaschke**, Munich (DE);
Andreas Goebel, Munich (DE);
Mandolin Maidt, Munich (DE)

(73) Assignee: **NavVis GmbH**, Munich (DE)

(**) Term: **15 Years**

(21) Appl. No.: **29/665,292**

(22) Filed: **Oct. 2, 2018**

(30) **Foreign Application Priority Data**

Apr. 6, 2018 (EM) 005211513

(51) **LOC (13) Cl.** **10-04**

(52) **U.S. Cl.**

USPC **D10/66; D16/202; D16/210**

(58) **Field of Classification Search**

USPC D16/200–220, 131, 132, 237, 242, 239,
D16/250, 235, 130, 134, 136, 238;
D14/417, 138 C, 240, 248, 203.1, 203.3,
D14/203.7, 218, 207, 440, 402, 454, 407,
D14/408; D10/104.1, 50, 65, 74, 70,
D10/118.2, 66; D18/43; D29/102, 122,
D29/103

CPC G03B 17/00; G03B 17/02; G03B 17/56;
G03B 17/04; G03B 17/14; G03B 17/08;
G03B 15/03; G03B 15/06; H04N
1/00981; H04N 5/2251; H04N 5/2252;
H04N 5/2253; H04N 5/2254; H04N
5/23238; H04N 7/00; H04N 13/239;
H04N 2101/00; F16M 13/00

See application file for complete search history.

(56) **References Cited**

U.S. PATENT DOCUMENTS

D203,597 S * 2/1966 Newton et al. D16/203
3,535,442 A * 10/1970 Jennings G08B 13/19641
348/151

D234,876 S * 4/1975 Hope et al. D16/237

(Continued)

FOREIGN PATENT DOCUMENTS

CN 302931694 * 9/2014
CN 304104115 S 4/2017

(Continued)

OTHER PUBLICATIONS

NavVis M3 Mapping Trolley, published Oct. 1, 2015 [online],
[retrieved Dec. 19, 2019], Available from Internet, URL: <https://www.youtube.com/watch?v=ts-GSAK1hPw>.*

(Continued)

Primary Examiner — George D. Kirschbaum

Assistant Examiner — Mary Claire Ramirez

(74) *Attorney, Agent, or Firm* — Paul D. Bianco; Gary S.
Winer; Fleit Intellectual Property Law

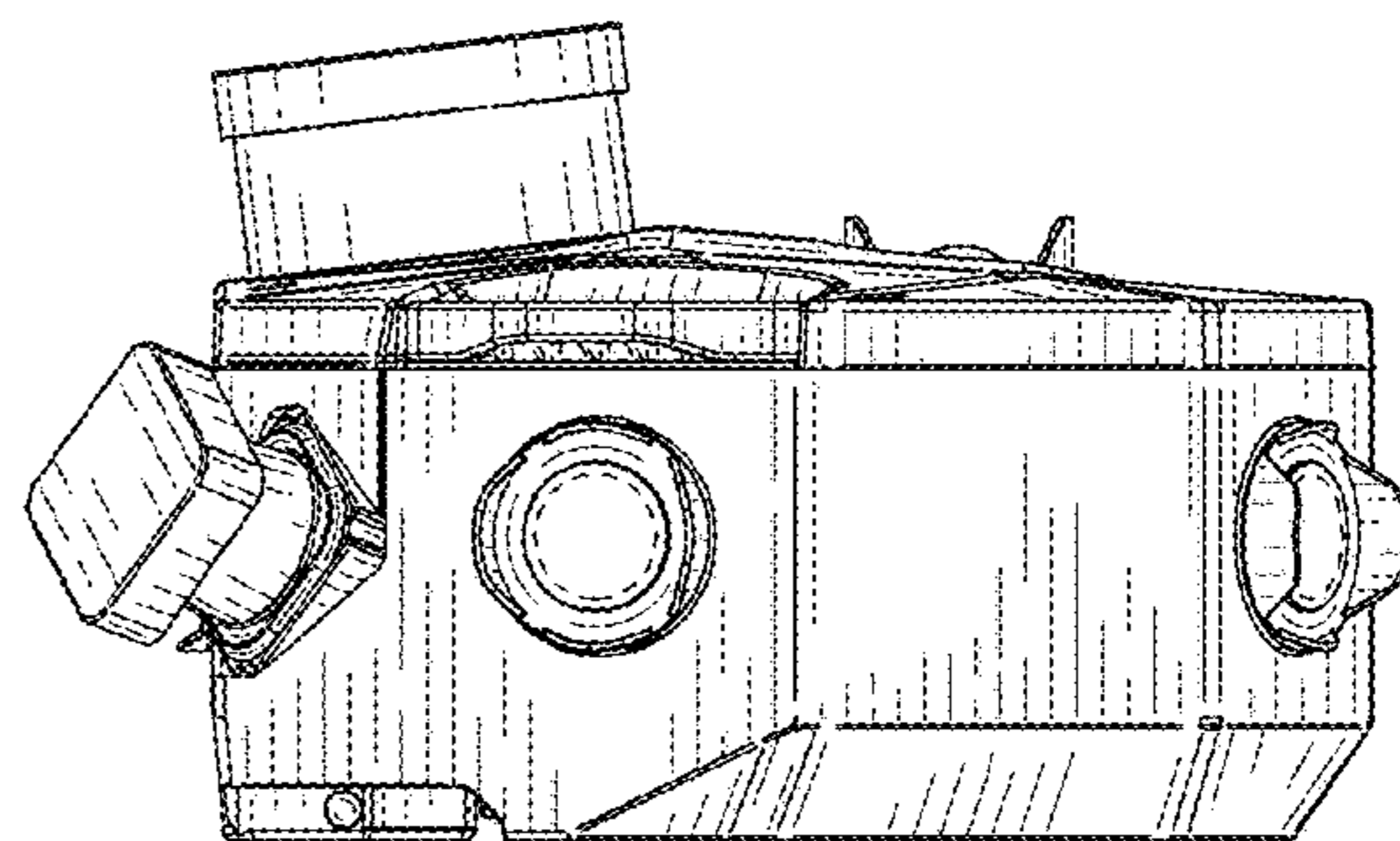
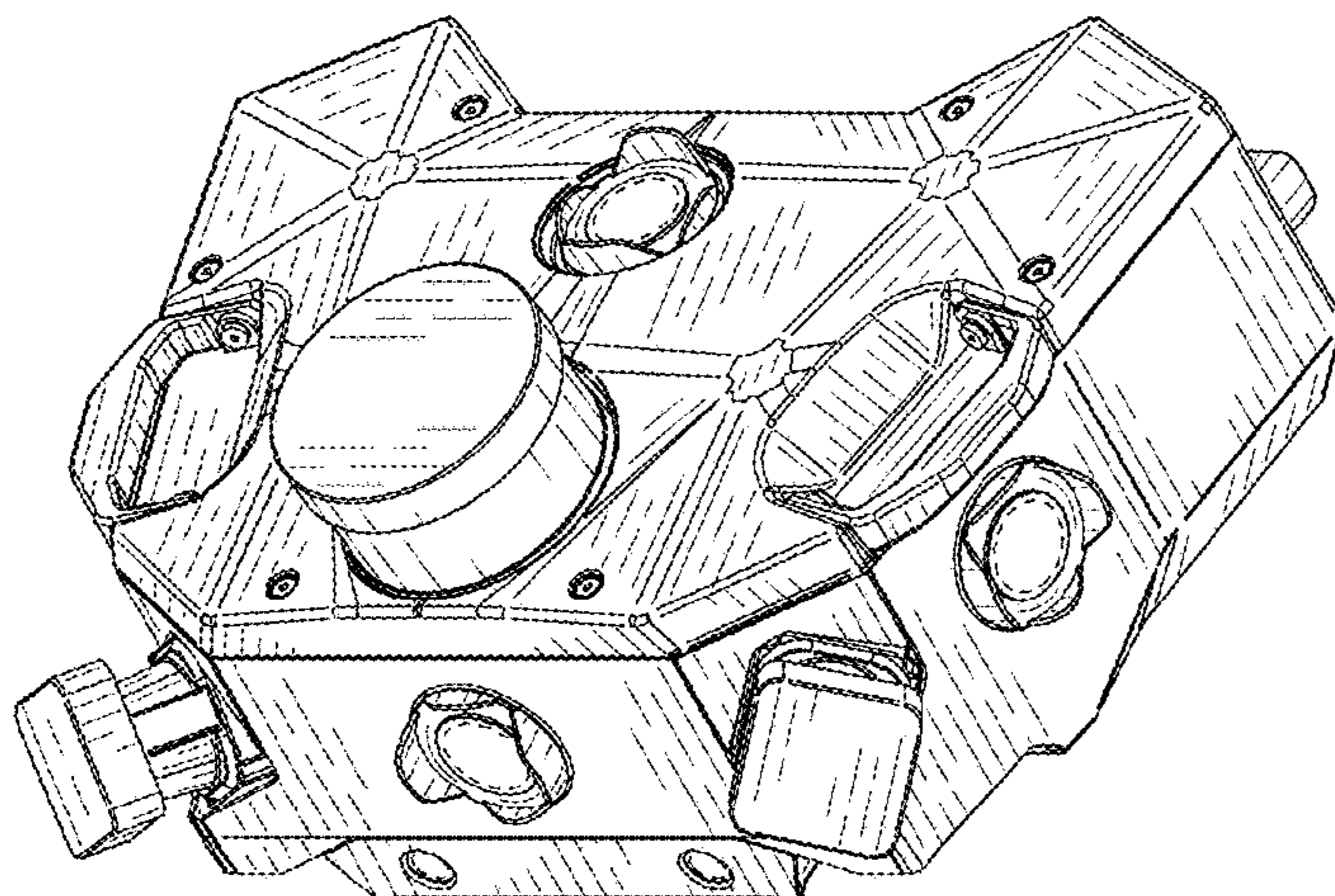
(57) **CLAIM**

The ornamental design for an optical scanner, as shown and described.

DESCRIPTION

FIG. 1 is a perspective view of an optical scanner according to the present invention;
FIG. 2 is a front view of the optical scanner of FIG. 1;
FIG. 3 is a back view of the optical scanner of FIG. 1;
FIG. 4 is a left side view of the optical scanner of FIG. 1;
FIG. 5 is a right side view of the optical scanner of FIG. 1;
FIG. 6 is a top view of the optical scanner of FIG. 1; and,
FIG. 7 is a bottom view of the optical scanner of FIG. 1.
The portions of the optical scanner shown in broken lines form no part of the claimed design.

1 Claim, 4 Drawing Sheets



(56)

References Cited

U.S. PATENT DOCUMENTS

D416,926 S * 11/1999 Watanabe D16/134
 D479,546 S * 9/2003 Yoshikawa D16/202
 D684,207 S * 6/2013 Kim D16/219
 D702,572 S * 4/2014 Sun D10/66
 D702,749 S * 4/2014 Kim D16/219
 D702,751 S * 4/2014 Yoon D16/219
 D712,759 S * 9/2014 Forsberg D10/66
 D724,216 S * 3/2015 Gant D24/158
 D733,208 S * 6/2015 Tzarnotzky D16/207
 D735,066 S * 7/2015 Otsuki D10/103
 D737,357 S * 8/2015 Park D16/219
 D766,753 S * 9/2016 Ishii D10/66
 D766,755 S * 9/2016 Ishii D10/66
 D785,070 S * 4/2017 Mistry D16/207
 D798,930 S * 10/2017 Macmillan D16/202
 D803,288 S * 11/2017 Ham D16/202
 D813,927 S * 3/2018 van Hoff D16/218
 D818,024 S * 5/2018 Chen D16/202
 D830,444 S * 10/2018 Cabral D16/207
 D830,445 S * 10/2018 Cabral D16/207
 D841,717 S * 2/2019 Wei D16/210

10,210,660 B2 * 2/2019 Cabral G06K 9/209
 D842,140 S * 3/2019 Kato D10/66
 D849,087 S * 5/2019 Li D16/202
 D849,098 S * 5/2019 Kapuria D16/208
 D849,106 S * 5/2019 Van Hoff D16/218
 D862,681 S * 10/2019 Sutton D24/109
 D872,160 S * 1/2020 Li D16/210
 D879,176 S * 3/2020 Tang D16/203

FOREIGN PATENT DOCUMENTS

DE 402013004611-0001 * 7/2014
 EM 003052042-0001 * 7/2016
 EP 2913796 A1 9/2015
 JP 1572289 * 3/2017

OTHER PUBLICATIONS

Design 402013004611-0001 dated Mar. 27, 2017, 6 pages, NAVVIS GmbH.
 Design No. 003052042,-0001, published Jul. 5, 2016 9 pages, DesignView.

* cited by examiner

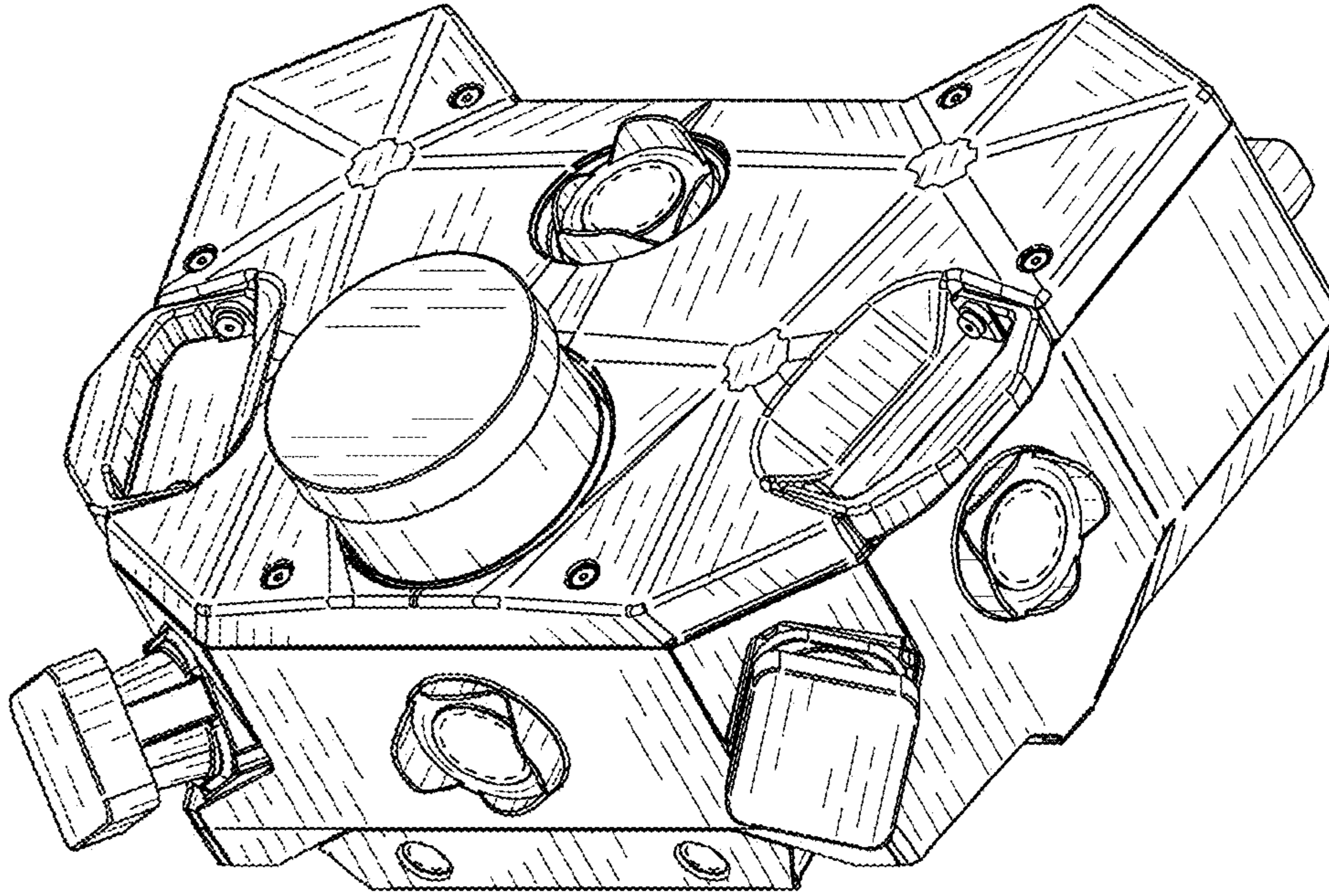


FIG. 1

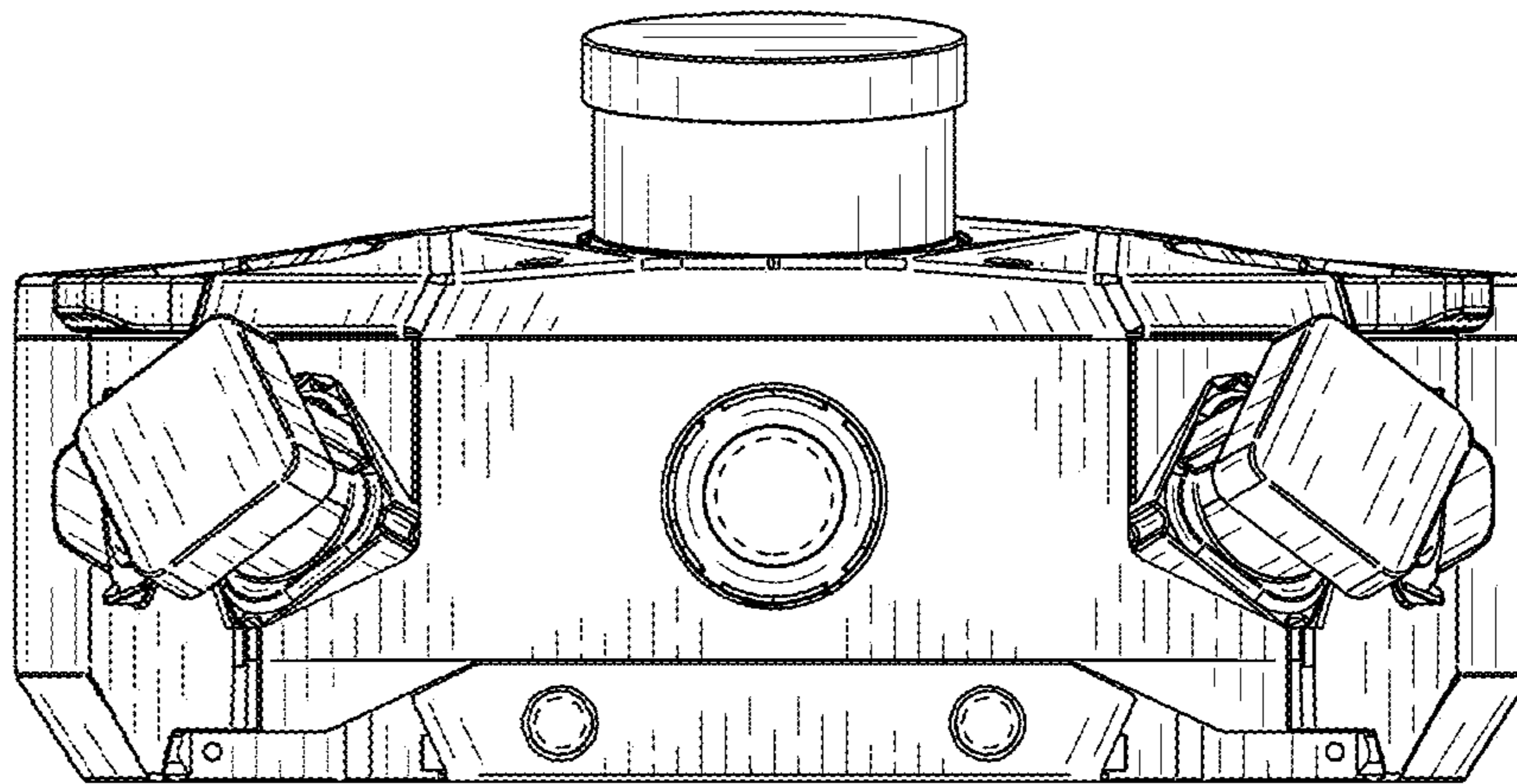


FIG. 2

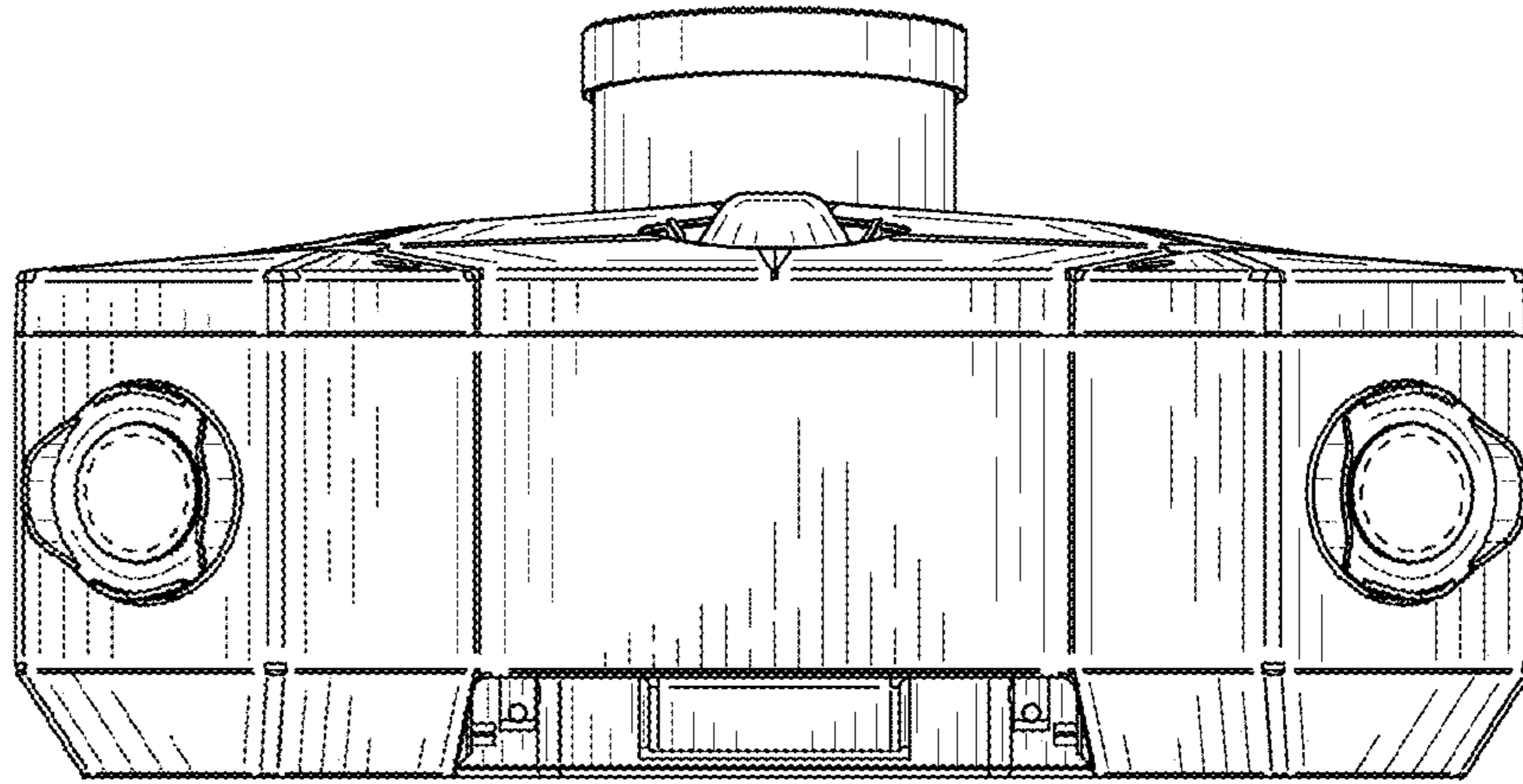


FIG. 3

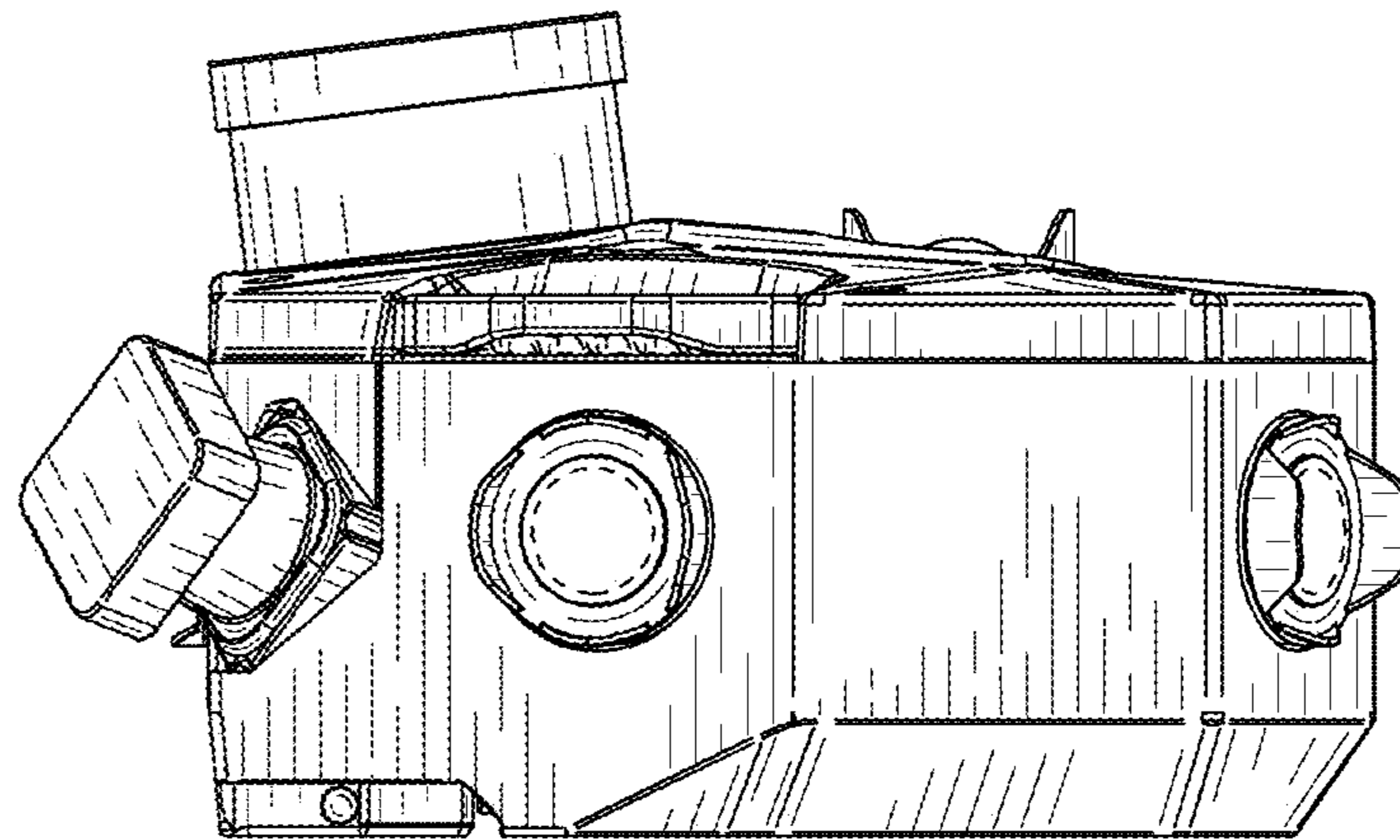


FIG. 4

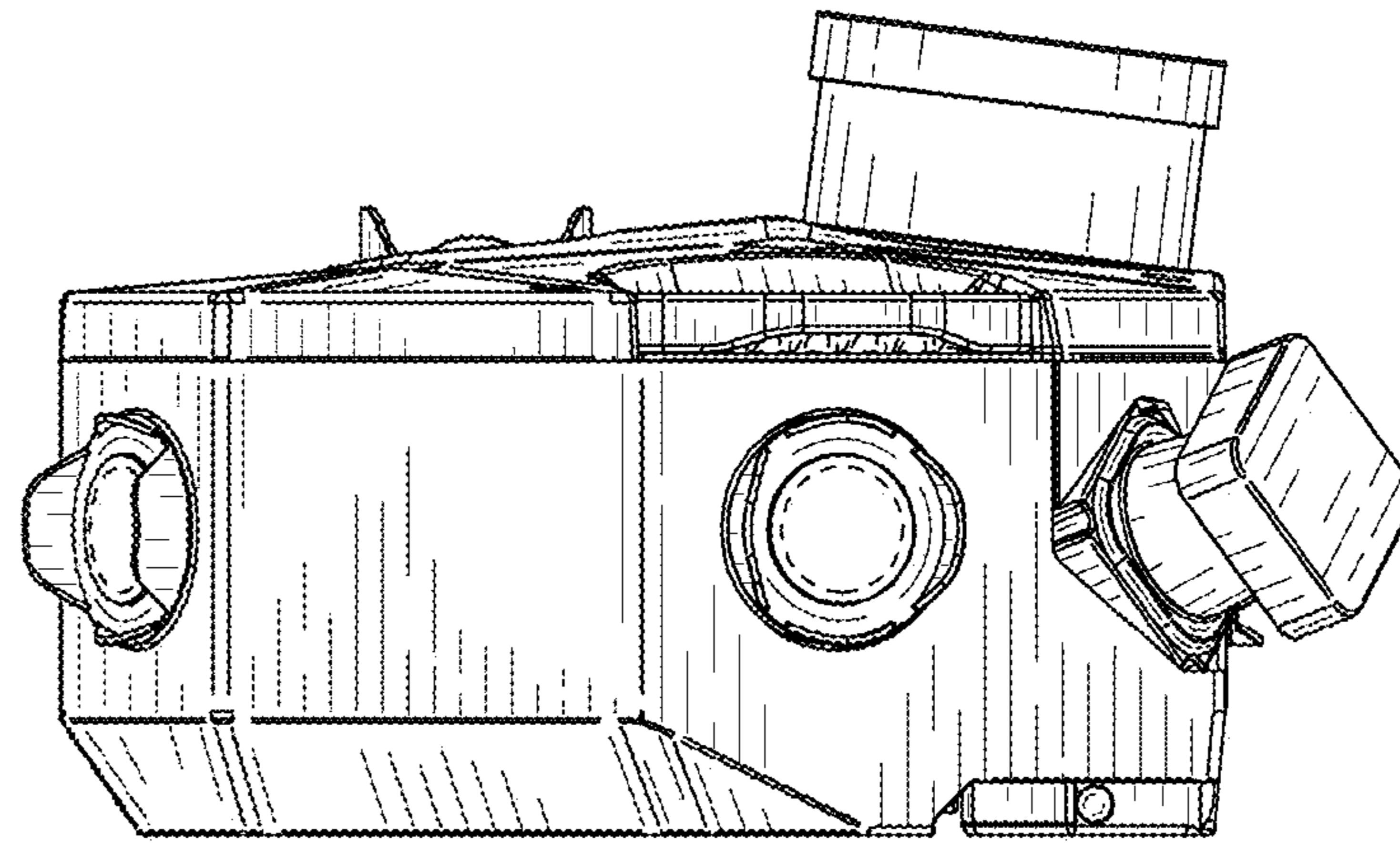


FIG. 5

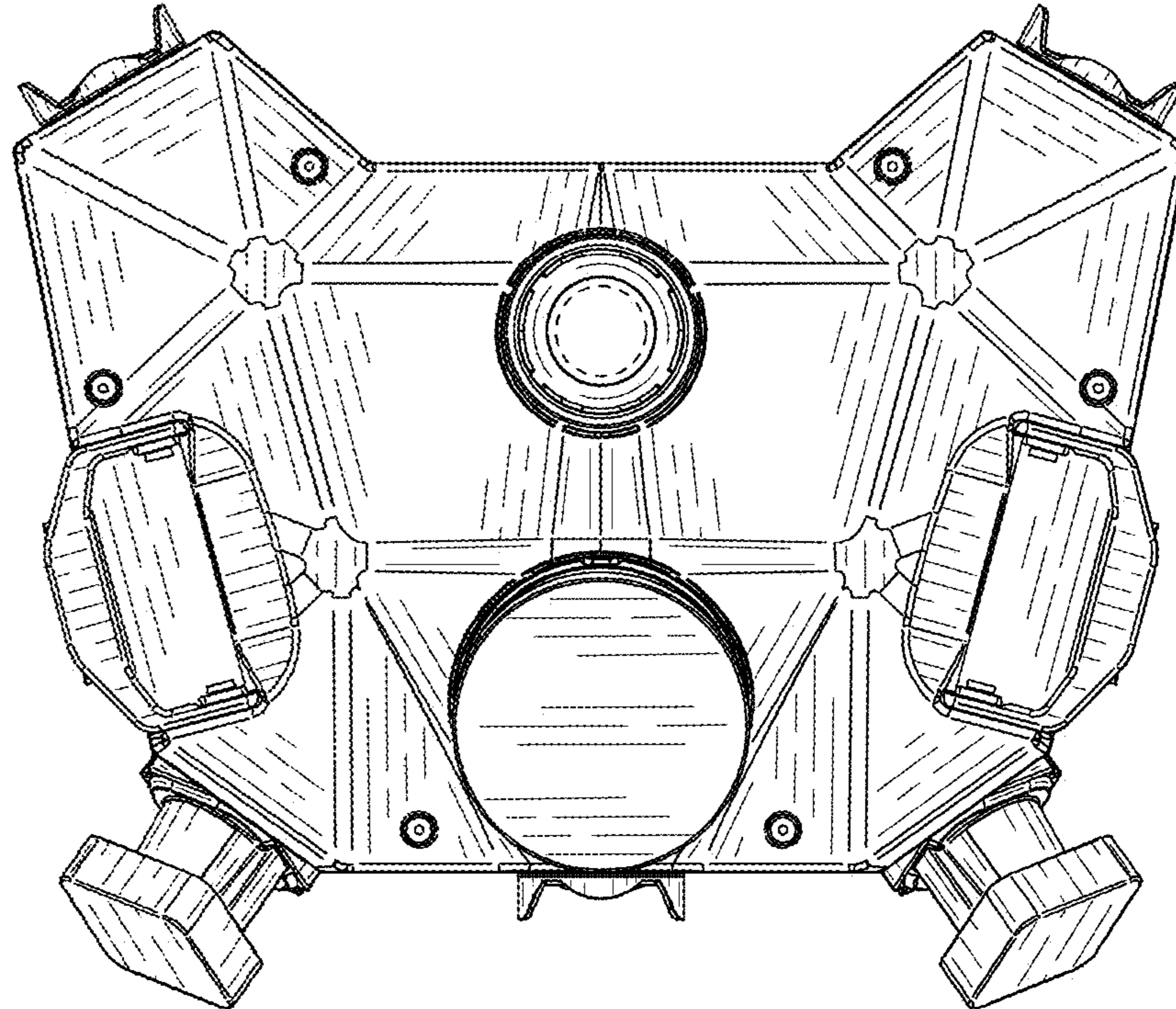


FIG. 6

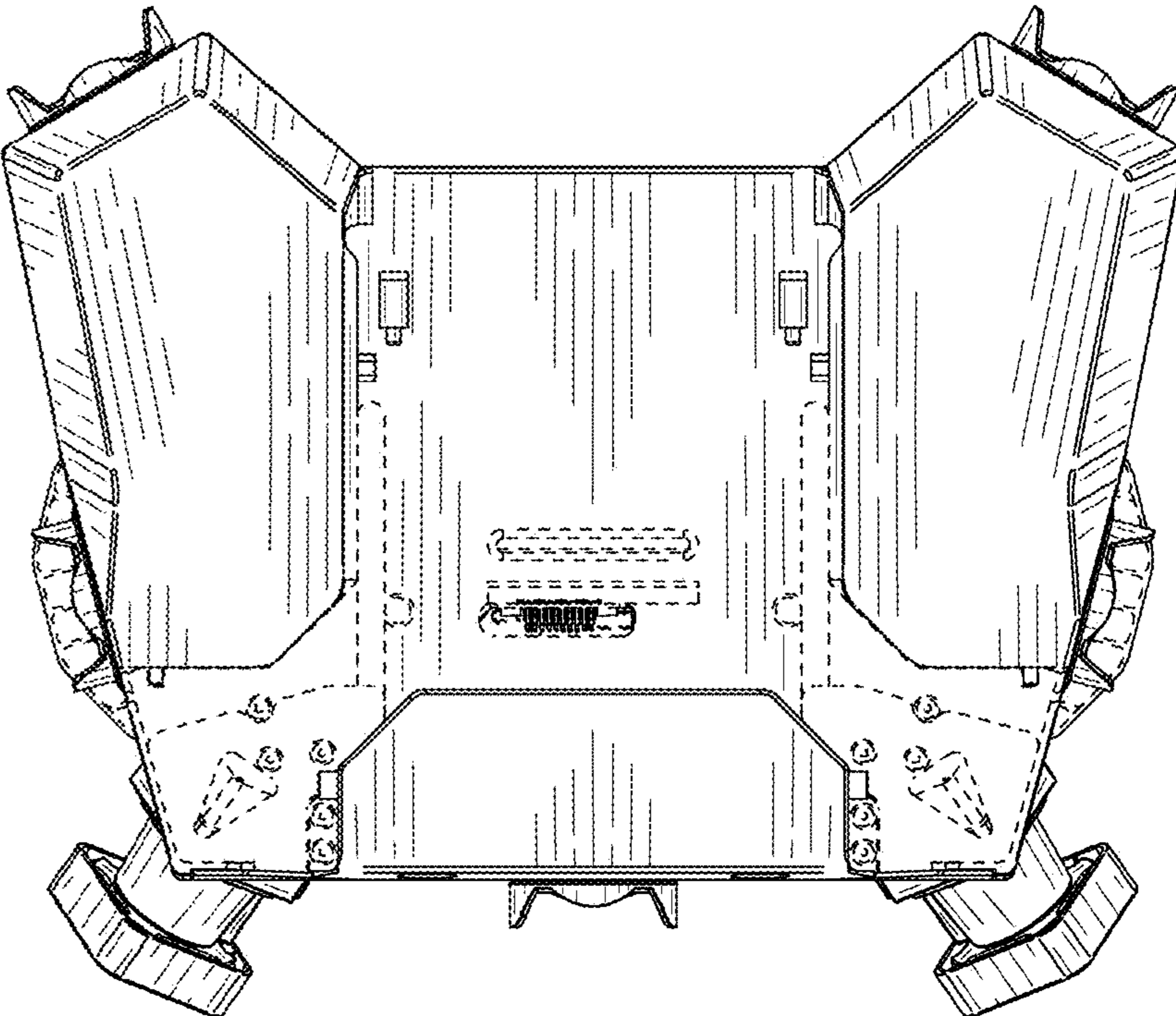


FIG. 7