



US00D909894S

(12) **United States Design Patent** (10) **Patent No.:** **US D909,894 S**  
**Jastrzebski et al.** (45) **Date of Patent:** **\*\* Feb. 9, 2021**

(54) **SENSOR ENCLOSURE**

(71) Applicant: **Verily Life Sciences LLC**, South San Francisco, CA (US)  
(72) Inventors: **Michael Jastrzebski**, Newark, CA (US); **Kristin Size**, Waltham, MA (US); **David He**, San Mateo, CA (US); **Harry Xiao**, San Mateo, CA (US); **Linden Evans**, San Francisco, CA (US)  
(73) Assignee: **VERILY LIFE SCIENCES LLC**, South San Francisco, CA (US)

(\*\*) Term: **15 Years**

(21) Appl. No.: **29/687,437**

(22) Filed: **Apr. 12, 2019**

(51) **LOC (13) Cl.** ..... **10-04**

(52) **U.S. Cl.**  
USPC ..... **D10/56**

(58) **Field of Classification Search**  
USPC ..... D10/56  
CPC . A61B 5/02055; A61B 5/1121; A61B 5/6833; A61B 5/7264; A61B 5/7282; A61B 5/0004; A61B 5/002; A61B 5/1113; A61B 5/1118; A61B 5/6801; A61B 5/7275; A61B 5/0015; A61B 5/01; A61B 5/0205; A61B 5/0402; A61B 5/1126; A61B 5/742; A61B 5/0408; A61B 5/1116; A61B 5/1117; A61B 5/113; A61B 5/0022; A61B 5/05; A61B 5/053; A61B 5/447; A61B 5/743; A61B 5/14552; A61B 5/746; A61B 5/0816; A61B 5/14551; A61B 2560/0475; A61B 2562/0204; A61B 2562/0223; A61B 2562/0271; A61B 2562/029; A61B 2562/0219; A61G 2203/32; A61G 2203/36; A61G 2203/42; A61G 2203/46; A61G 7/057; G16H 50/30

See application file for complete search history.

(56) **References Cited**

U.S. PATENT DOCUMENTS

8,431,766 B1 4/2013 Lonero  
9,880,052 B2 1/2018 Dumont et al.  
10,039,675 B1 8/2018 Cai et al.  
(Continued)

OTHER PUBLICATIONS

U.S. Appl. No. 16/383,340, Non-Final Office Action, dated Aug. 10, 2020, 9 pages.

(Continued)

*Primary Examiner* — Antoine Duval Davis

(74) *Attorney, Agent, or Firm* — Kilpatrick Townsend & Stockton LLP

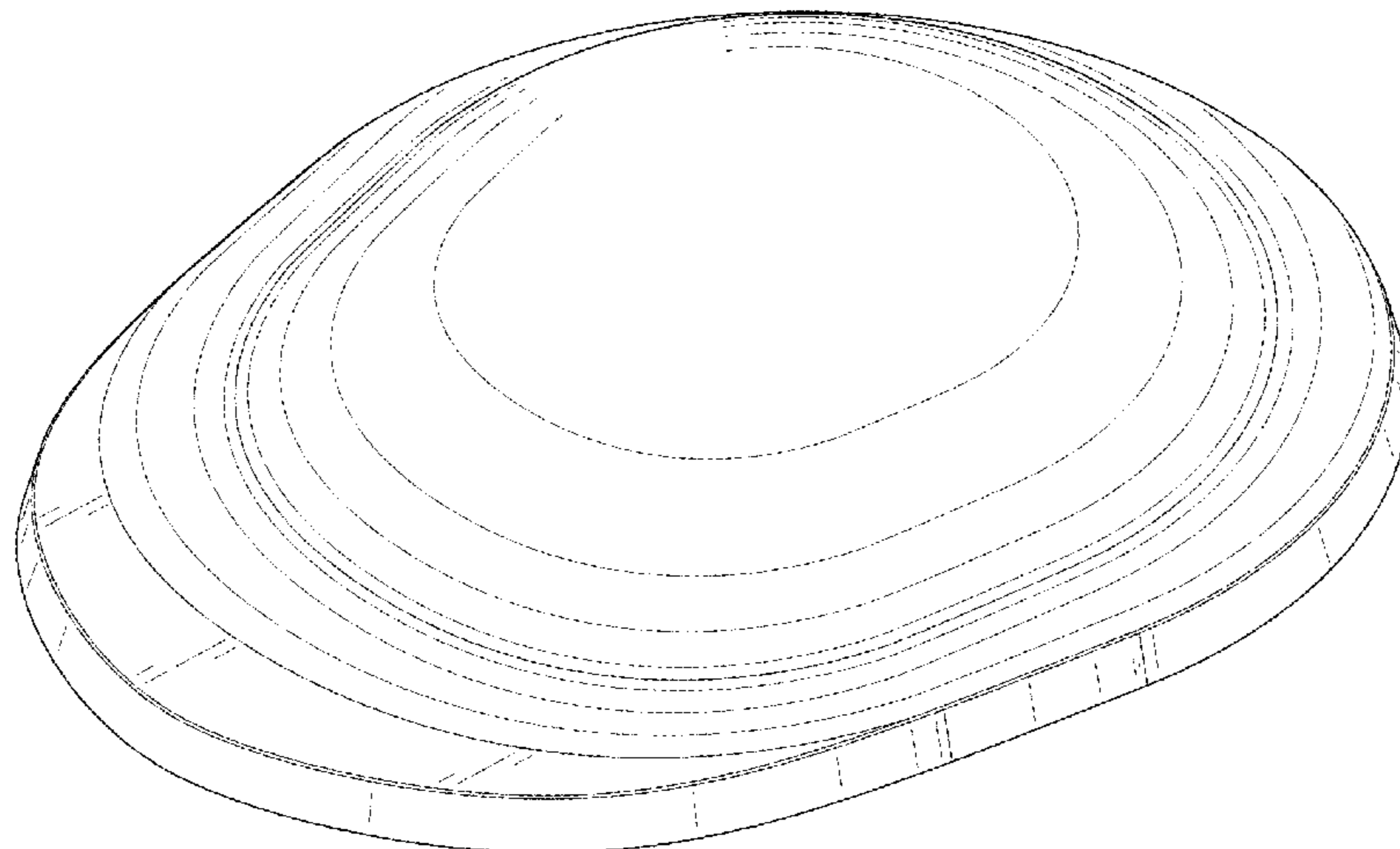
(57) **CLAIM**

We claim the ornamental design for a sensor enclosure, as shown and described.

**DESCRIPTION**

FIG. 1 is a top plan view of a sensor enclosure comprising the present invention.  
FIG. 2 is a bottom plan view of the sensor enclosure shown in FIG. 1.  
FIG. 3 is a side elevational view of the sensor enclosure shown in FIGS. 1 and 2.  
FIG. 4 is another side elevational view of the sensor enclosure shown in FIGS. 1, 2, and 3.  
FIG. 5 is a front elevational view of the sensor enclosure shown in FIGS. 1, 2, 3, and 4.  
FIG. 6 is a rear elevational view of the sensor enclosure shown in FIGS. 1, 2, 3, 4, and 5; and,  
FIG. 7 is a perspective view of the sensor enclosure shown in FIGS. 1, 2, 3, 4, 5, and 6.  
The broken lines shown in FIG. 2 illustrate portions of the sensor enclosure that form no part of the claimed design.

**1 Claim, 7 Drawing Sheets**



(56)

**References Cited**

U.S. PATENT DOCUMENTS

D828,186 S \* 9/2018 Barnes ..... A61B 5/4288  
D10/56  
10,226,187 B2\* 3/2019 Al-Ali ..... A61B 5/0408  
2004/0207530 A1 10/2004 Nielsen  
2008/0287751 A1 11/2008 Stivoric et al.  
2011/0133103 A1 6/2011 Folkesson  
2014/0090967 A1 4/2014 Inagaki  
2014/0203797 A1 7/2014 Stivoric et al.  
2014/0375297 A1 12/2014 Geiger et al.  
2015/0077261 A1 3/2015 Lineberry  
2015/0157512 A1 6/2015 Abir  
2015/0223755 A1\* 8/2015 Abir ..... A61B 5/4288  
600/300  
2015/0272481 A1 10/2015 Glaser et al.  
2016/0198995 A1 7/2016 Yeung et al.  
2016/0363479 A1\* 12/2016 Dumont ..... G01J 1/0403

2017/0202484 A1 7/2017 Al-shaery et al.  
2017/0252225 A1 9/2017 Arizti et al.  
2018/0325743 A1 11/2018 Ho  
2020/0060886 A1\* 2/2020 Arizti ..... A61B 5/0077

OTHER PUBLICATIONS

International Application No. PCT/US2020/027606, International Search Report and Written Opinion, dated Jun. 29, 2020, 8 pages.  
U.S. Appl. No. 16/383,340, "Non-Final Office Action", dated May 27, 2020, 8 pages.  
Chinese Application No. 201921351428.5, "Notice of Decision to Grant", dated Jan. 23, 2020, 2 pages.  
Chinese Application No. 201930547814.0, "Notice of Decision to Grant", dated Mar. 20, 2020, 4 pages.  
Chinese Application No. 201930547814.0, "Office Action", dated Jan. 21, 2020, 1 page.

\* cited by examiner

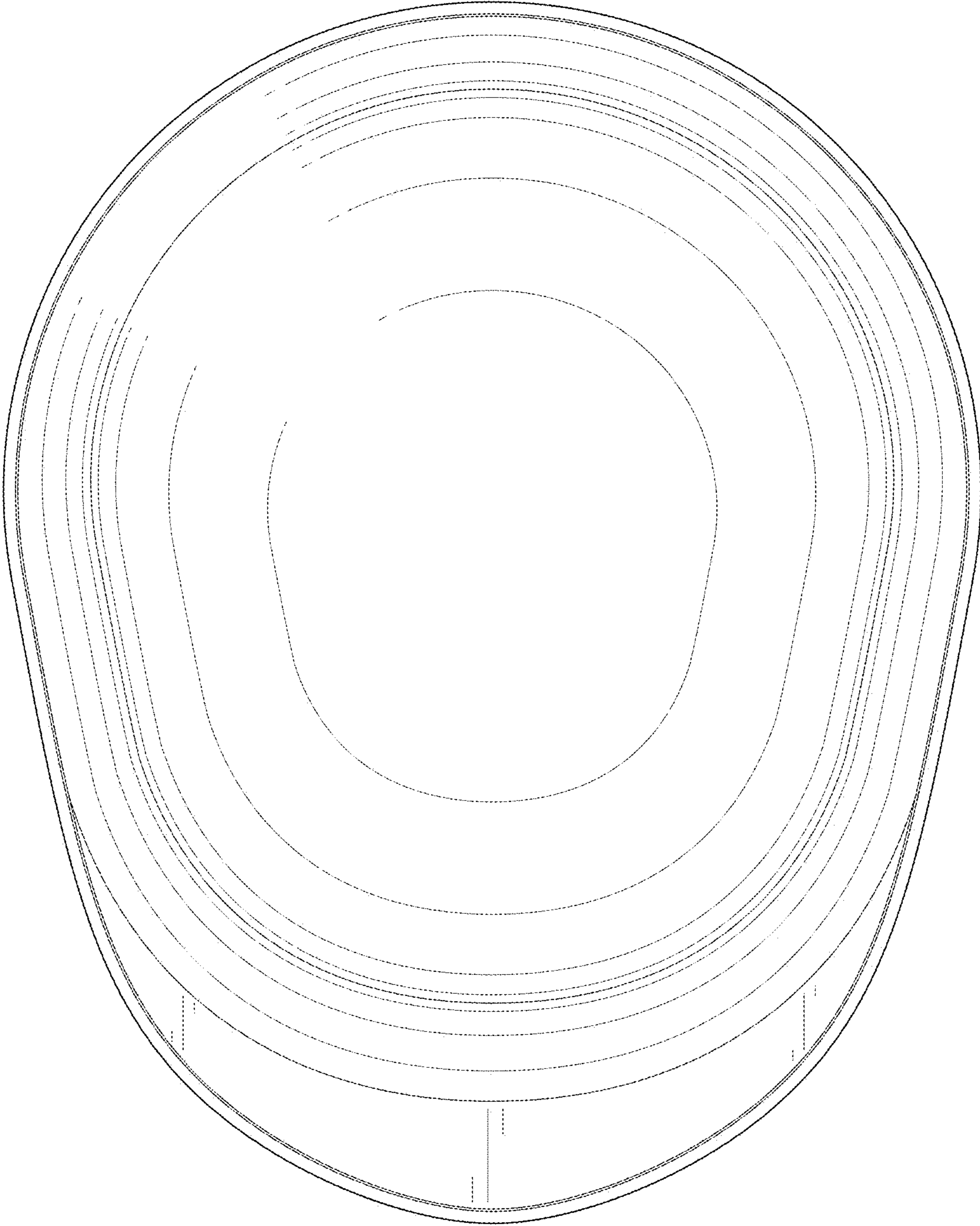


FIG. 1

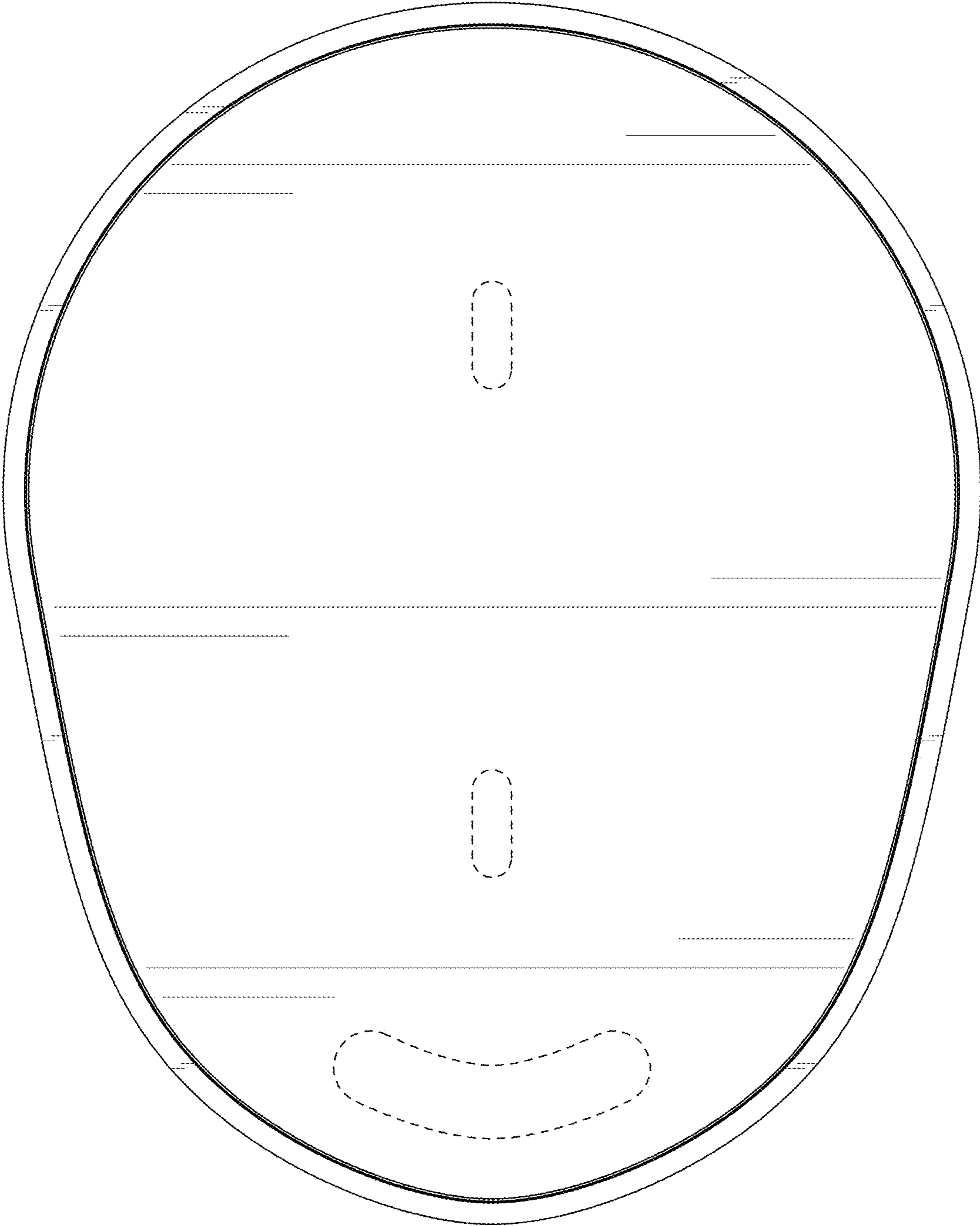


FIG. 2

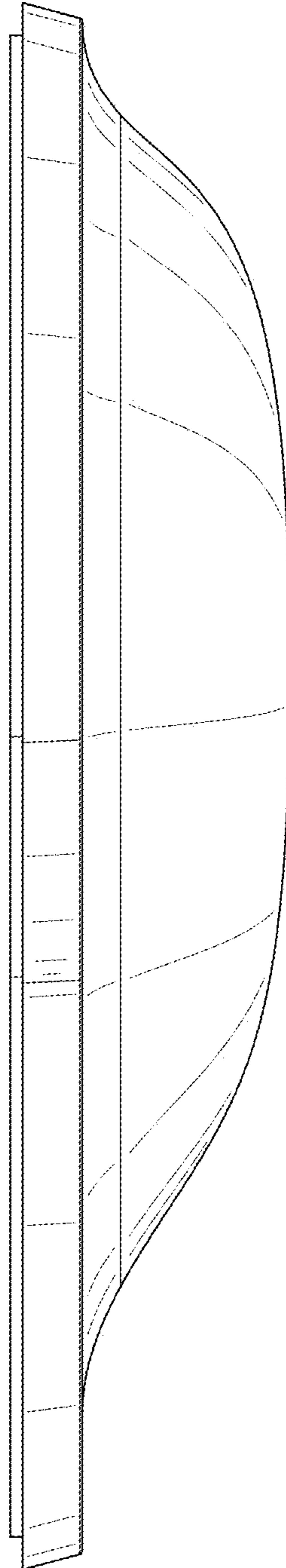


FIG. 3

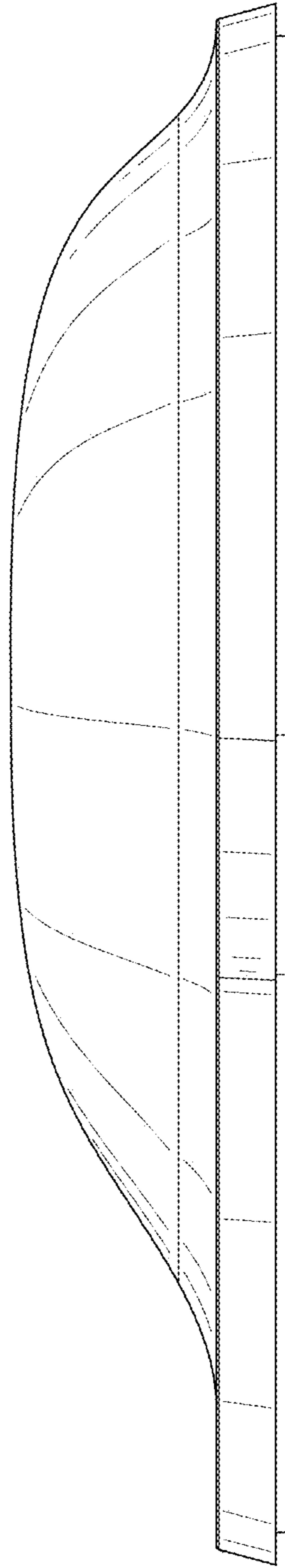


FIG. 4

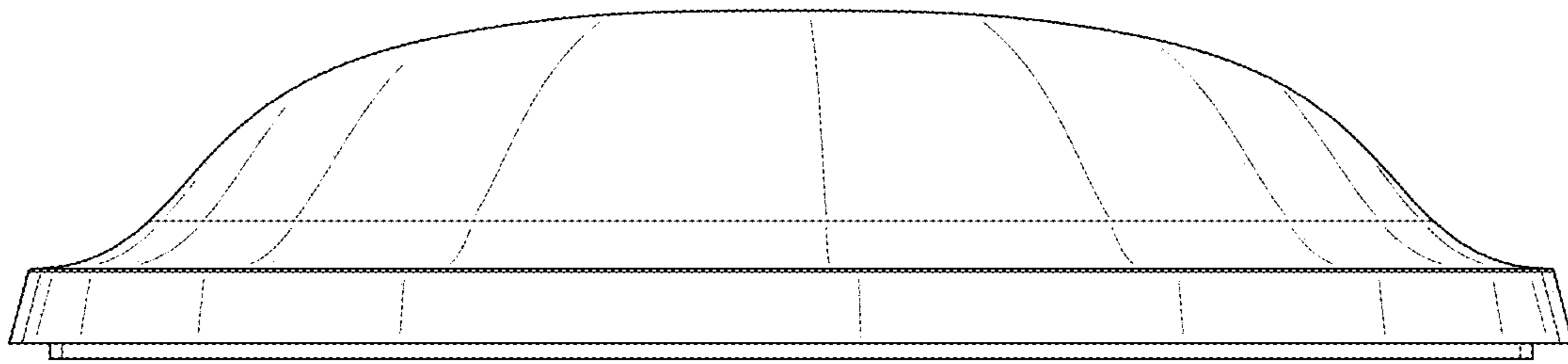


FIG. 5

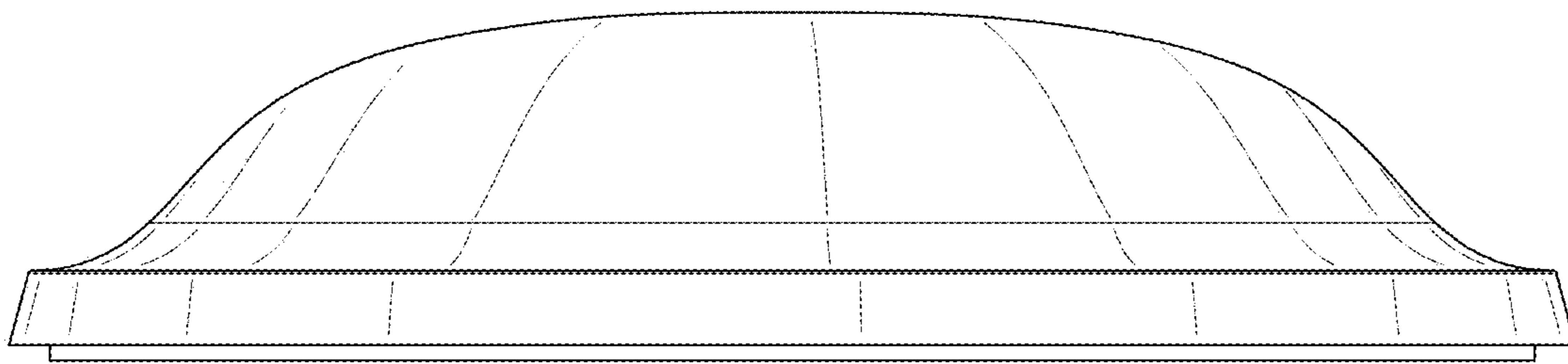


FIG. 6



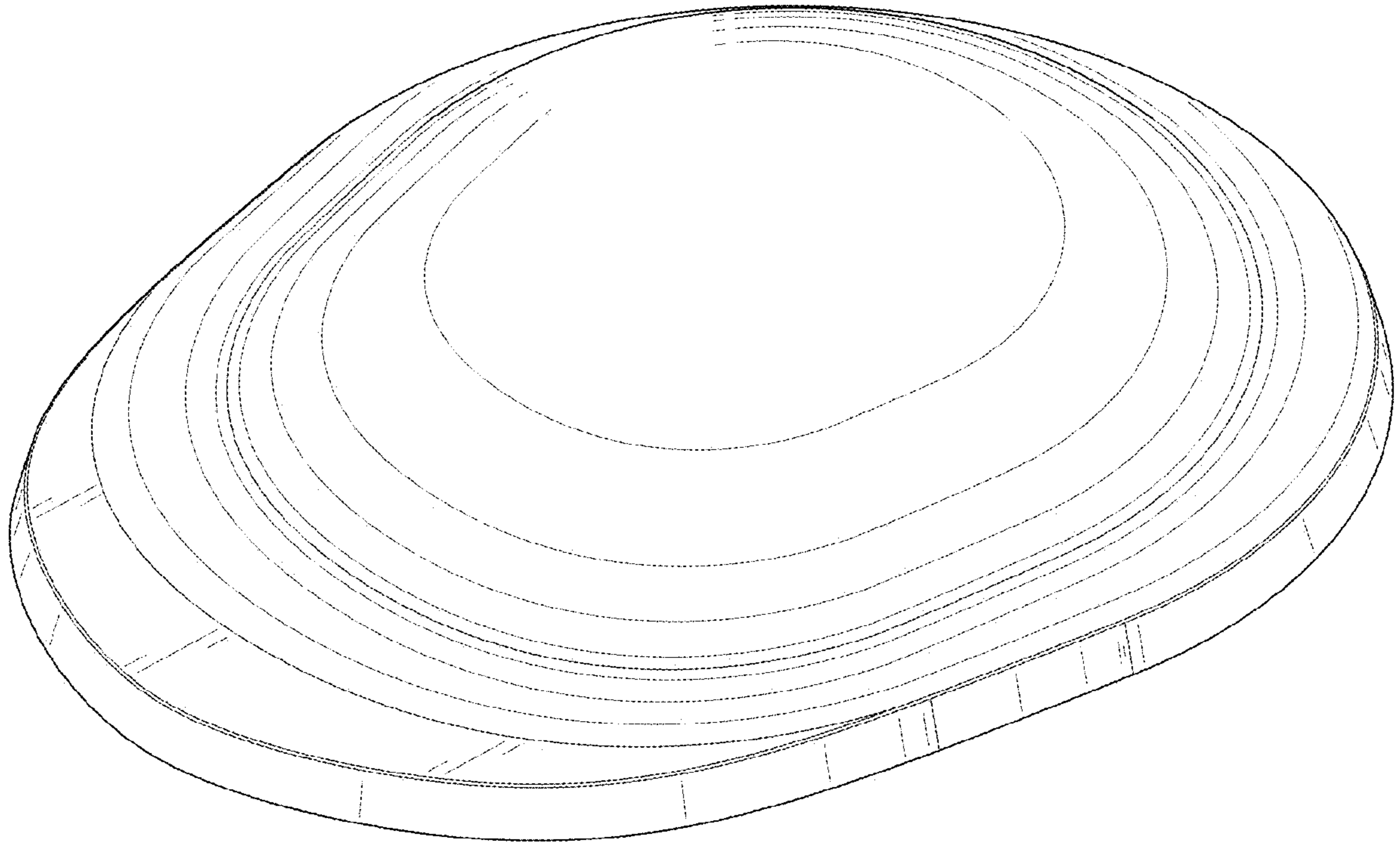


FIG. 7