



US00D909893S

(12) **United States Design Patent**
Zhang

(10) **Patent No.:** **US D909,893 S**

(45) **Date of Patent:** **** Feb. 9, 2021**

(54) **INDOOR THERMOMETER**

(71) Applicant: **LEADTEK INC**, Las Vegas, NV (US)

(72) Inventor: **Ren Zhang**, Las Vegas, NV (US)

(73) Assignee: **LEADTEK INC**

(**) Term: **15 Years**

(21) Appl. No.: **29/687,080**

(22) Filed: **Apr. 10, 2019**

(51) **LOC (13) Cl.** **10-04**

(52) **U.S. Cl.**
USPC **D10/50**

(58) **Field of Classification Search**

USPC D10/49, 50; D13/162, 162.1, 168, 177,
D13/184

CPC . F23N 5/20; F23N 5/203; F23N 5/206; F23N
5/18; F23N 5/184; F23N 5/187; F23N
5/22; F23N 2025/12; F23N 2041/02;
F24F 11/00; F24F 11/0012; F24F
11/0009; F24F 11/001; F24F 2011/0057;
F24F 2011/0073; F24F 2011/0091; F24F
2011/0094; F24F 2011/0068; F24F
2011/0012; F24F 2011/0015; F24F
2011/0017; F21V 11/16; F21V 33/10;
G05B 19/042; G05D 23/01; G05D 23/12;
G05D 23/275; G05D 23/1902; G05D
23/1904; G05D 23/27502; G05D
23/27503; G05D 23/1919; G05D 23/19;
G05D 23/2723; G05D 23/00; G09F
13/22; G09F 9/53; G06F 1/1684; G06F
1/30; G06F 3/0362; G06F 3/038; H05B
33/0854; H05B 37/0218; H05K 5/0017;
H05K 5/0243; H05K 5/00; H05K 5/03;
H04M 2250/12; H04M 2250/22

See application file for complete search history.

(56) **References Cited**

U.S. PATENT DOCUMENTS

D691,608 S *	10/2013	Samuels	D14/434
D691,609 S *	10/2013	Woodman	D14/434
D718,723 S *	12/2014	Clymer	D13/168
D770,395 S *	11/2016	Clymer	D13/168
D772,735 S *	11/2016	Mansueto	D10/50
D796,352 S *	9/2017	Morneau	D10/49
D828,816 S *	9/2018	Spors	D13/162
D844,570 S *	4/2019	Kornacki	D13/162
D854,429 S *	7/2019	Gentle	D10/50
D865,540 S *	11/2019	Bach-Esteve	D10/50
D871,933 S *	1/2020	Zhang	D10/50

* cited by examiner

Primary Examiner — Antoine Duval Davis

(74) *Attorney, Agent, or Firm* — ScienBiziP, P.C.

(57) **CLAIM**

The ornamental design for indoor thermometer, as shown and described.

DESCRIPTION

FIG. 1 is a first perspective view of an indoor thermometer showing my design;

FIG. 2 is a second perspective view thereof;

FIG. 3 is a front elevational view thereof;

FIG. 4 is a rear elevational view thereof;

FIG. 5 is a left side elevational view thereof;

FIG. 6 is a right side elevational view thereof;

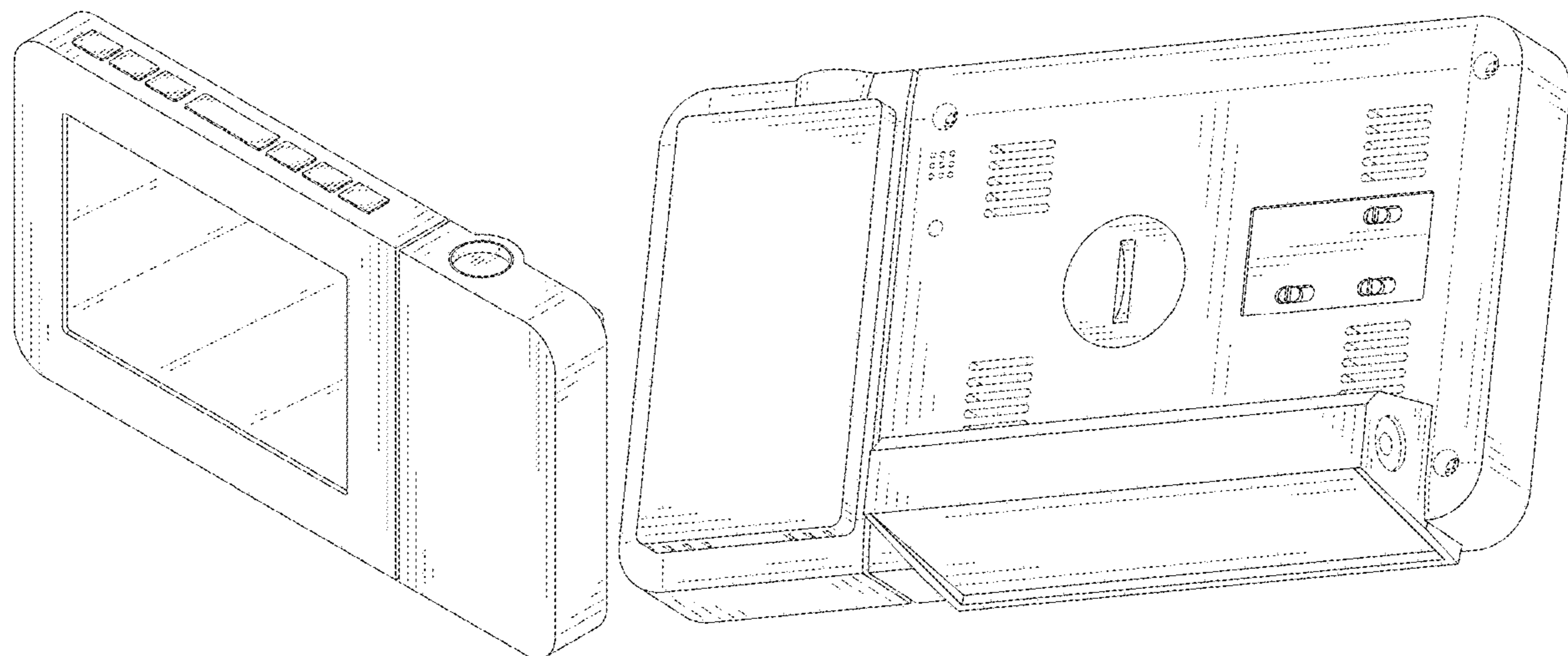
FIG. 7 is a top plan view thereof;

FIG. 8 is a bottom plan view thereof; and,

FIG. 9 is a perspective view of the indoor thermometer showing a status when the indoor thermometer is being used.

The broken lines are for environmental structures or boundaries and form no part of the claimed designs to be patented.

1 Claim, 9 Drawing Sheets



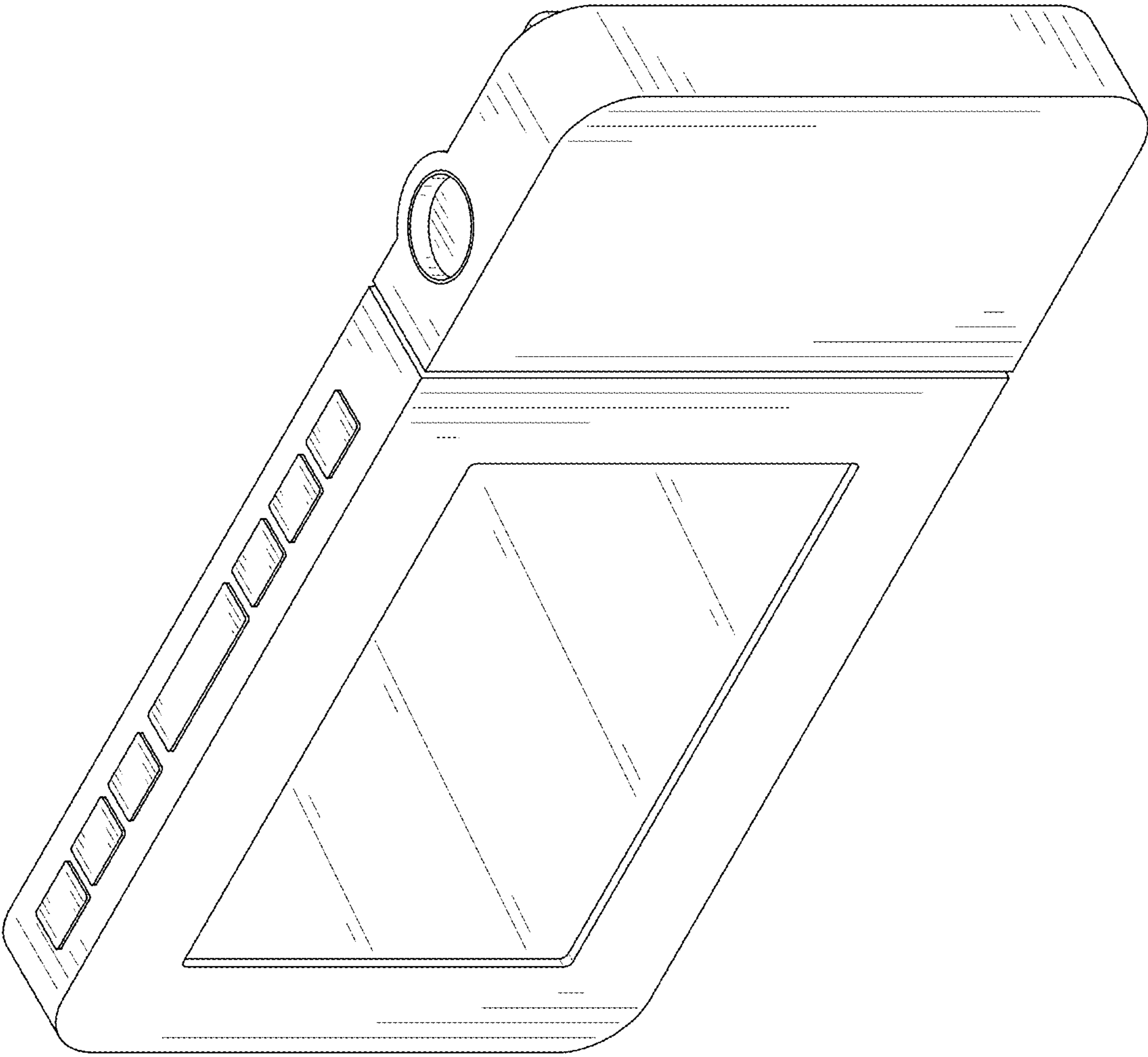


FIG. 1

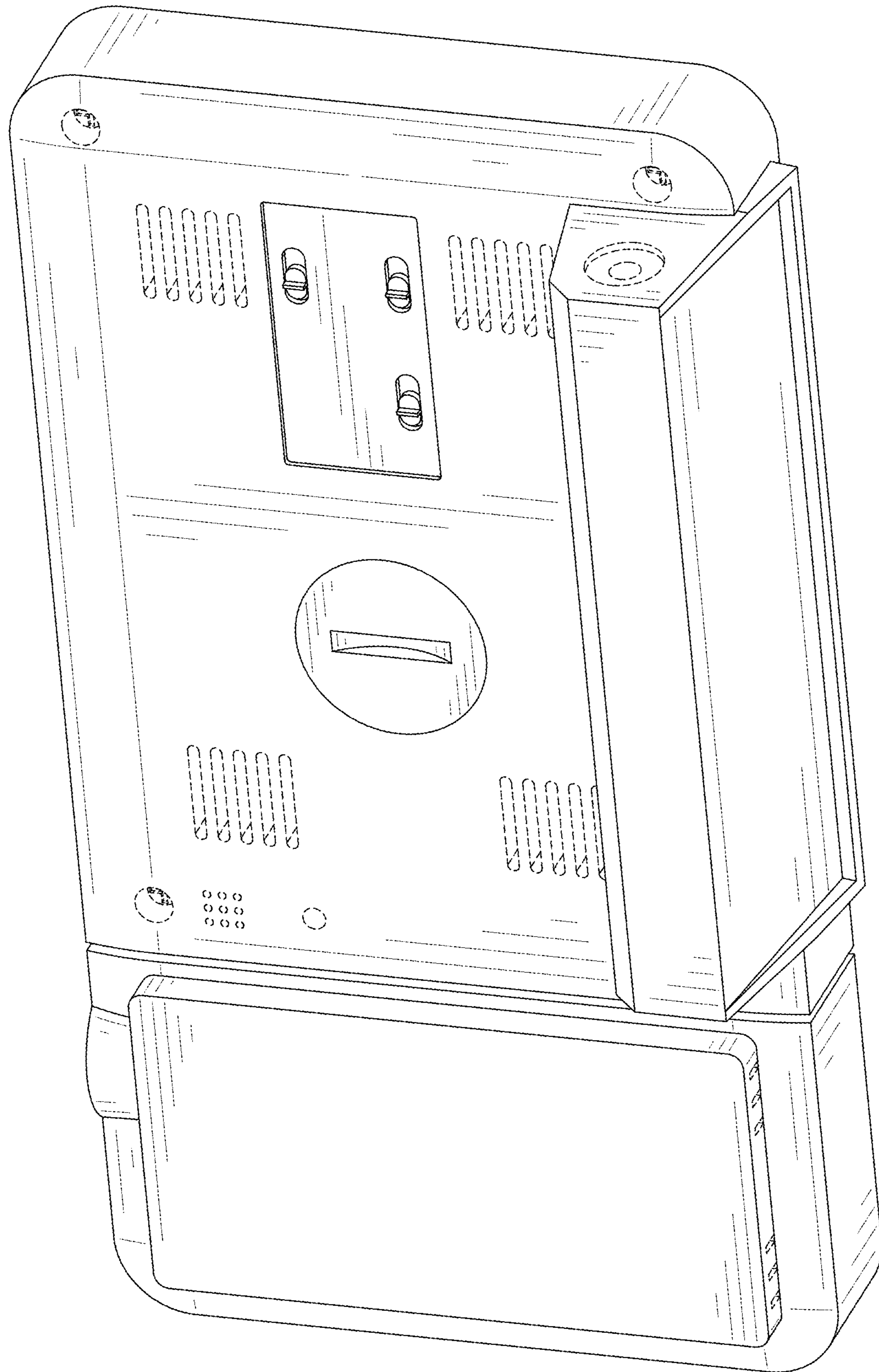


FIG. 2

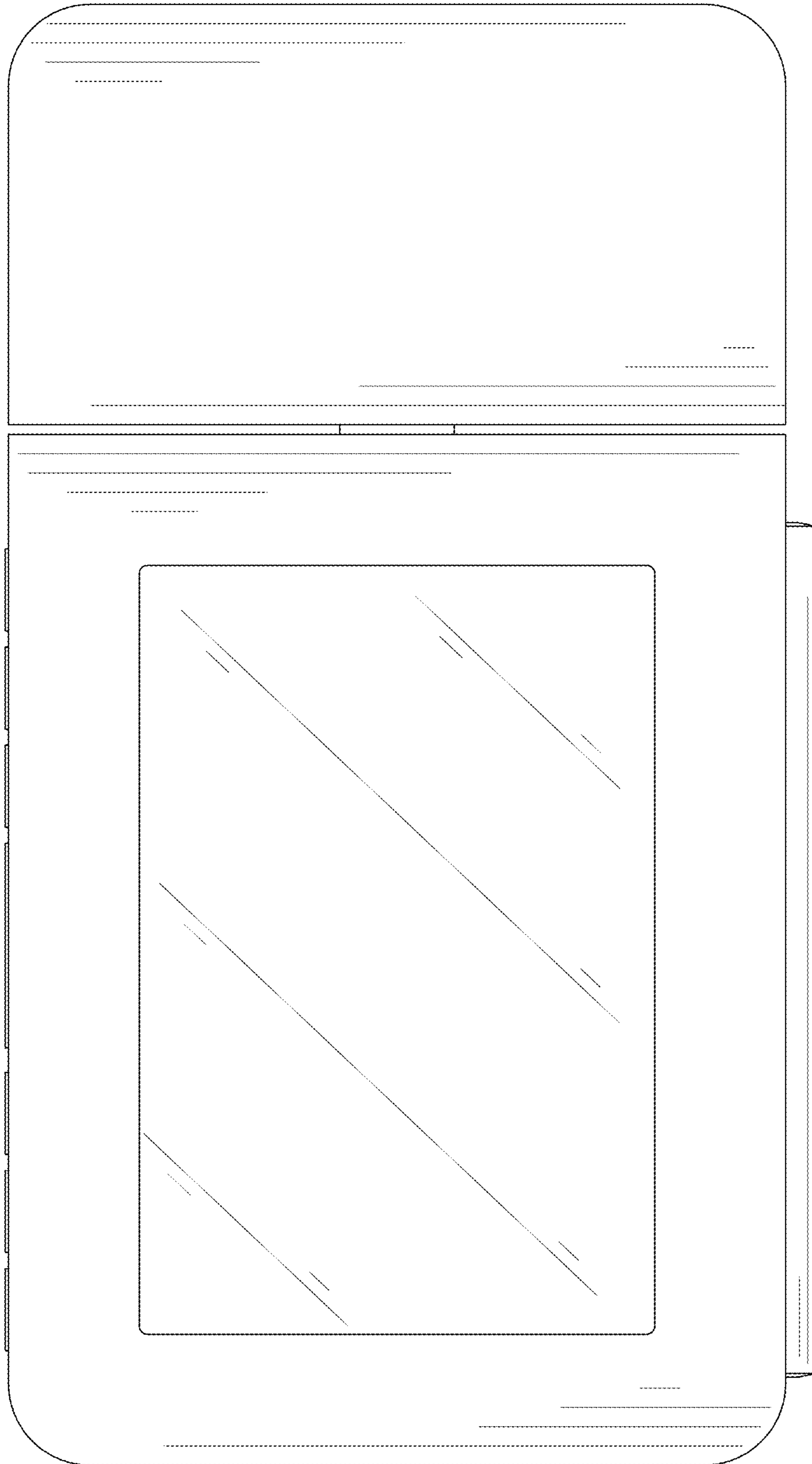


FIG. 3

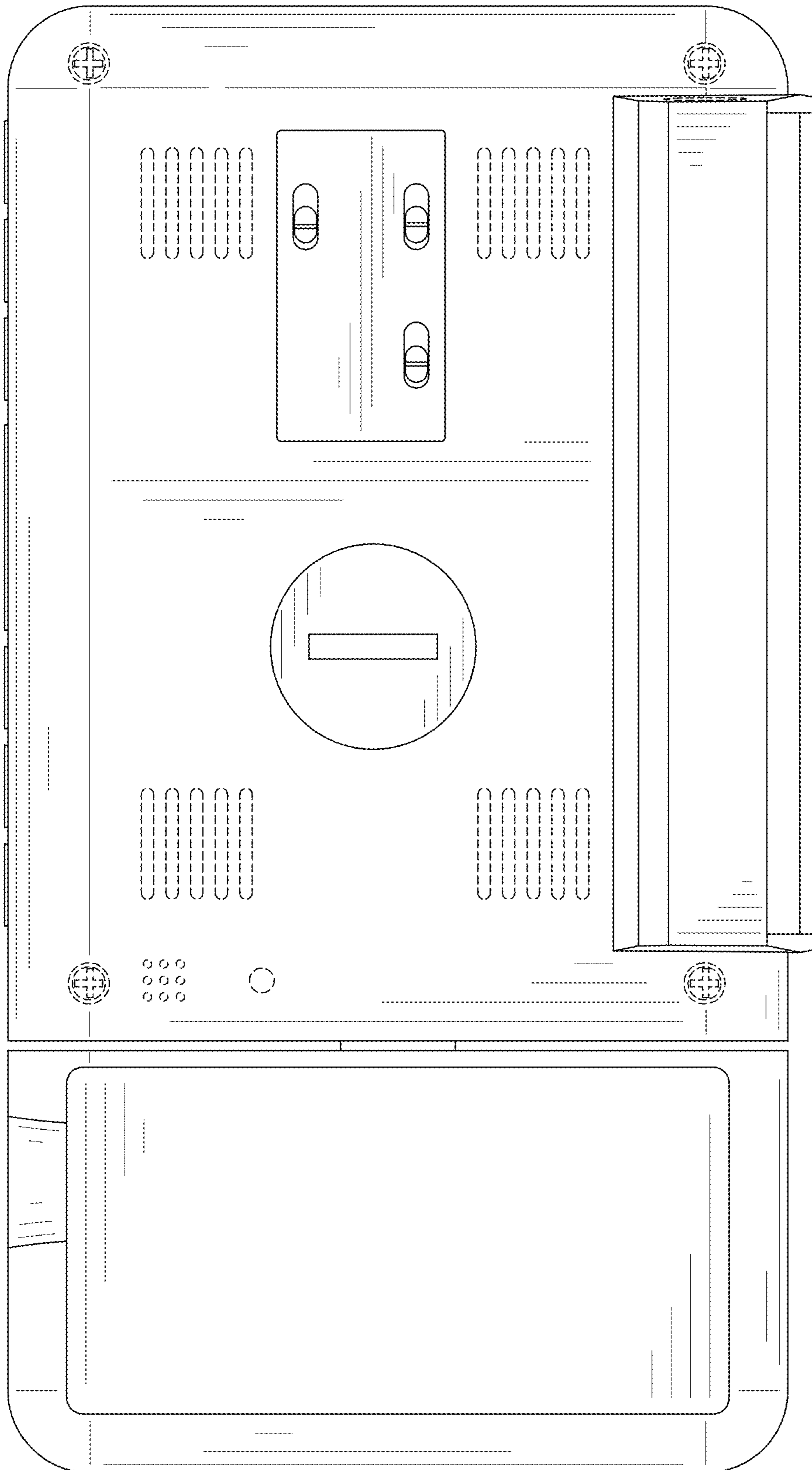


FIG. 4

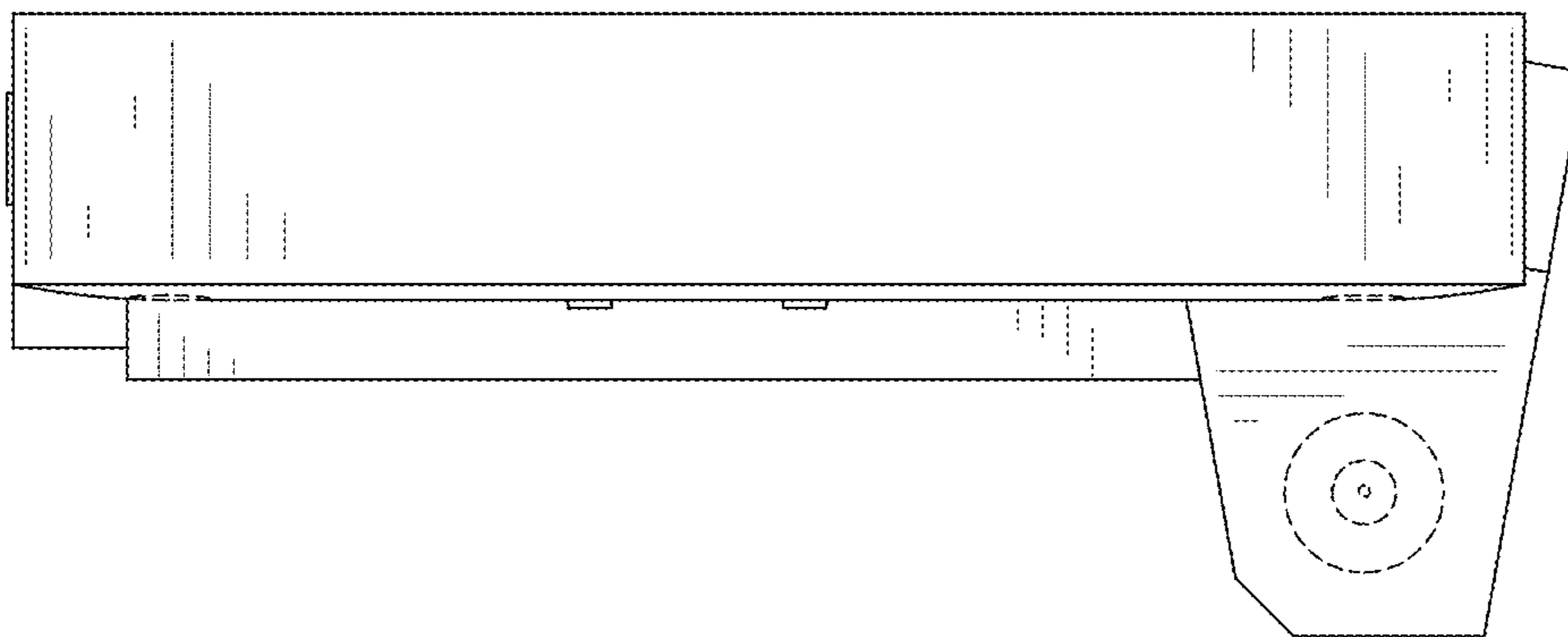


FIG. 5

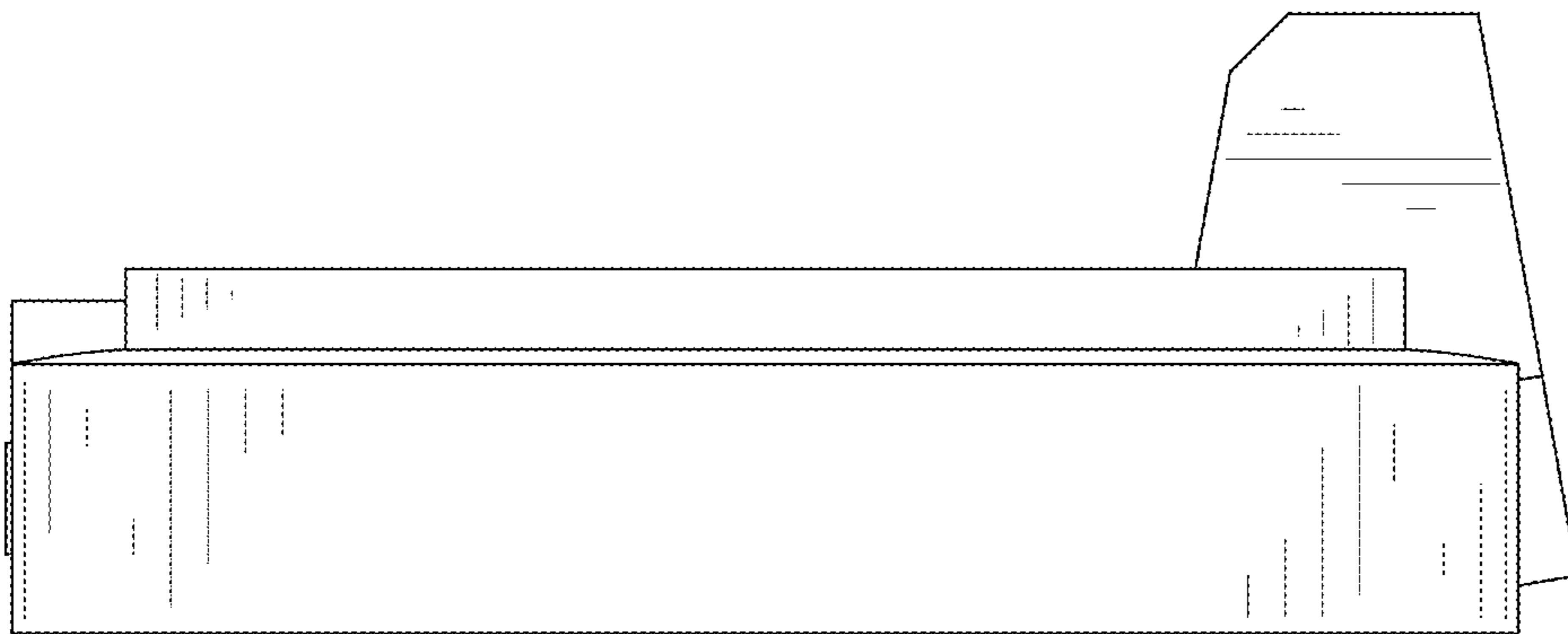


FIG. 6

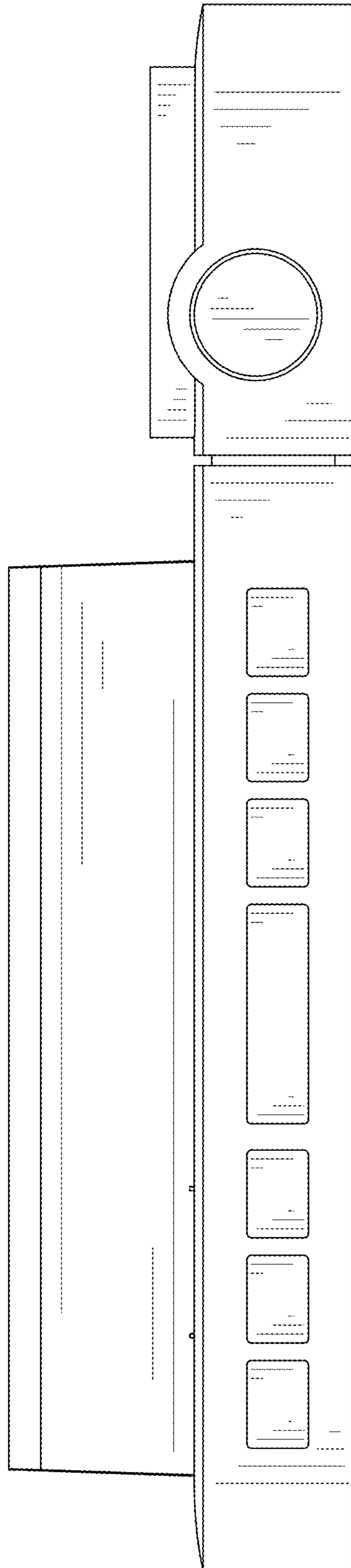


FIG. 7

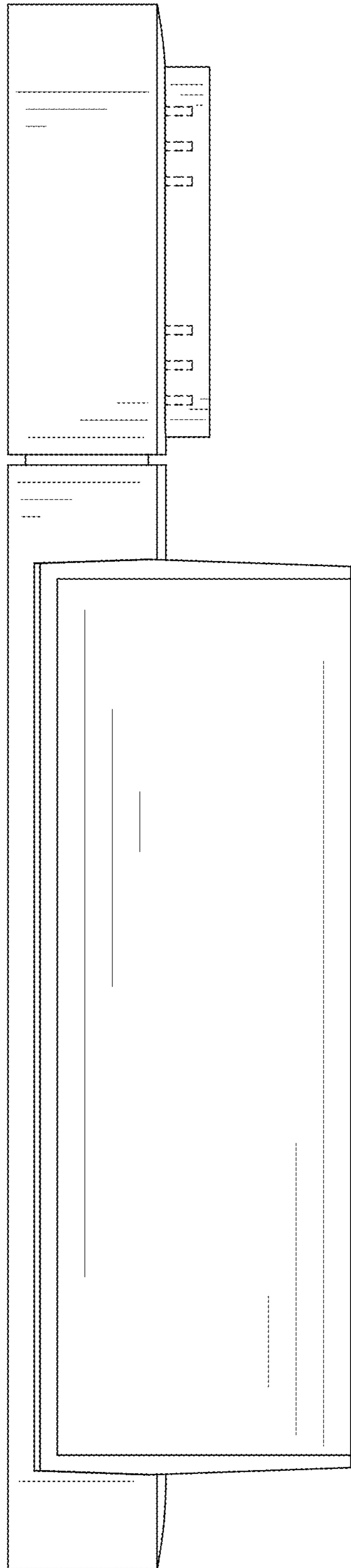


FIG. 8

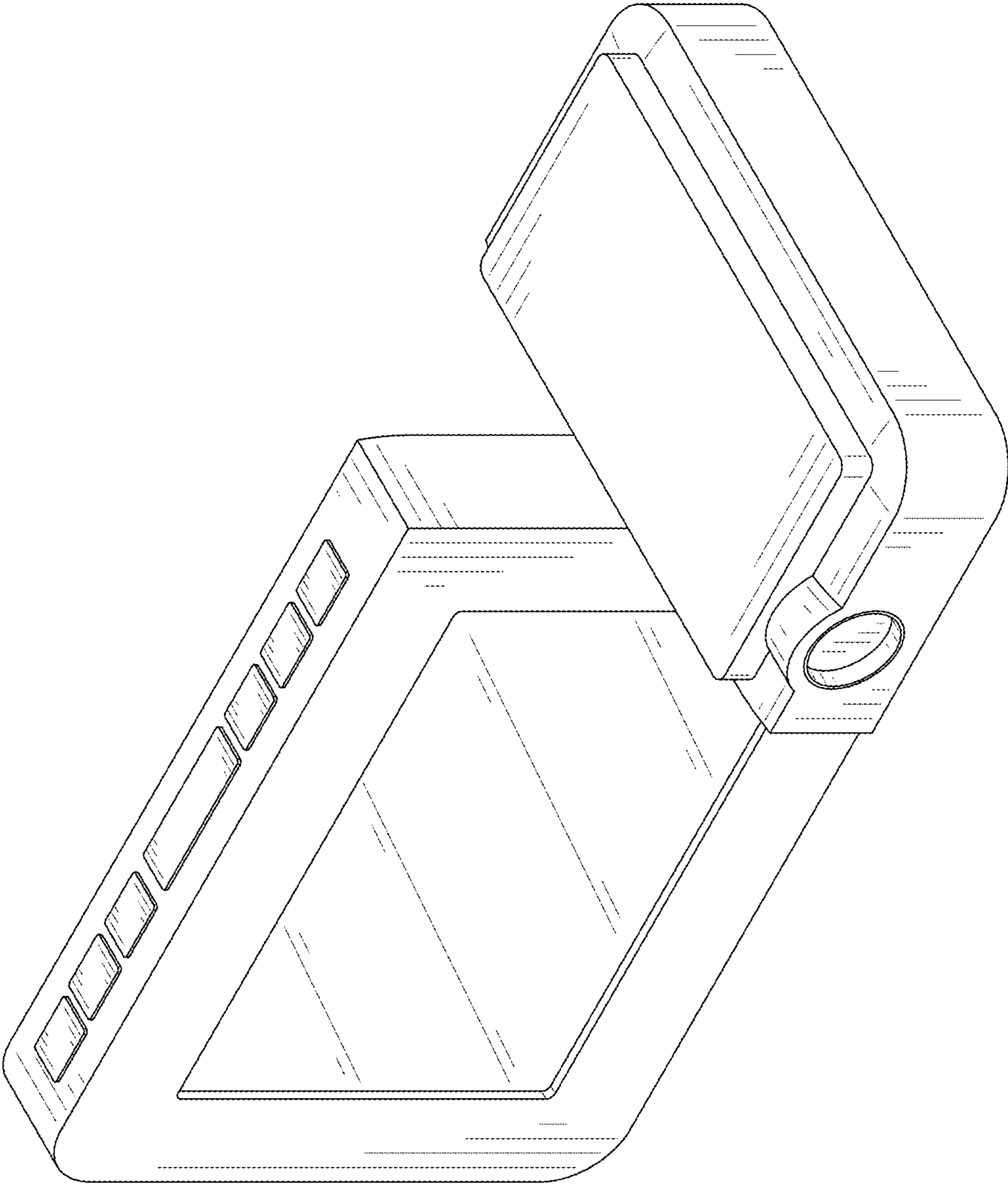


FIG. 9