



US00D909892S

(12) **United States Design Patent**
Magada

(10) **Patent No.:** **US D909,892 S**

(45) **Date of Patent:** **** Feb. 9, 2021**

(54) **WATCH**

19/106; G04B 19/24; G04B 19/241;
G04B 19/243; A44C 5/00-246

(71) Applicant: **ANONIMO SA**, Le Locle (CH)

See application file for complete search history.

(72) Inventor: **Aldo Magada**, Le Locle (CH)

(56) **References Cited**

(73) Assignee: **ANONIMO SA**, Le Locle (CH)

U.S. PATENT DOCUMENTS

(**) Term: **15 Years**

| | | | | |
|--------------|---------|------------|-------|---------|
| D748,501 S * | 2/2016 | Cerrato | | D10/30 |
| D789,808 S * | 6/2017 | Kimura | | D10/39 |
| D802,445 S * | 11/2017 | El Alej | | D10/30 |
| D817,952 S * | 5/2018 | Choi | | D14/344 |
| D826,070 S * | 8/2018 | Parmigiani | | D10/30 |
| D857,525 S * | 8/2019 | Kwong | | D10/30 |
| D862,251 S * | 10/2019 | Okazaki | | D10/30 |
| D877,627 S * | 3/2020 | Muller | | D10/30 |

(21) Appl. No.: **35/507,494**

(22) Filed: **Mar. 18, 2019**

* cited by examiner

(80) **Hague Agreement Data**

Int. Filing Date: **Mar. 18, 2019**

Int. Reg. No.: **DM/203234**

Int. Reg. Date: **Mar. 18, 2019**

Int. Reg. Pub. Date: **Oct. 11, 2019**

Primary Examiner — George D. Kirschbaum

Assistant Examiner — Joseph J Kukella

(74) *Attorney, Agent, or Firm* — Hauptman Ham, LLP

(51) **LOC (13) Cl.** **10-02**

(57) **CLAIM**

The ornamental design for a watch, as shown and described.

(52) **U.S. Cl.**

DESCRIPTION

USPC **D10/38**

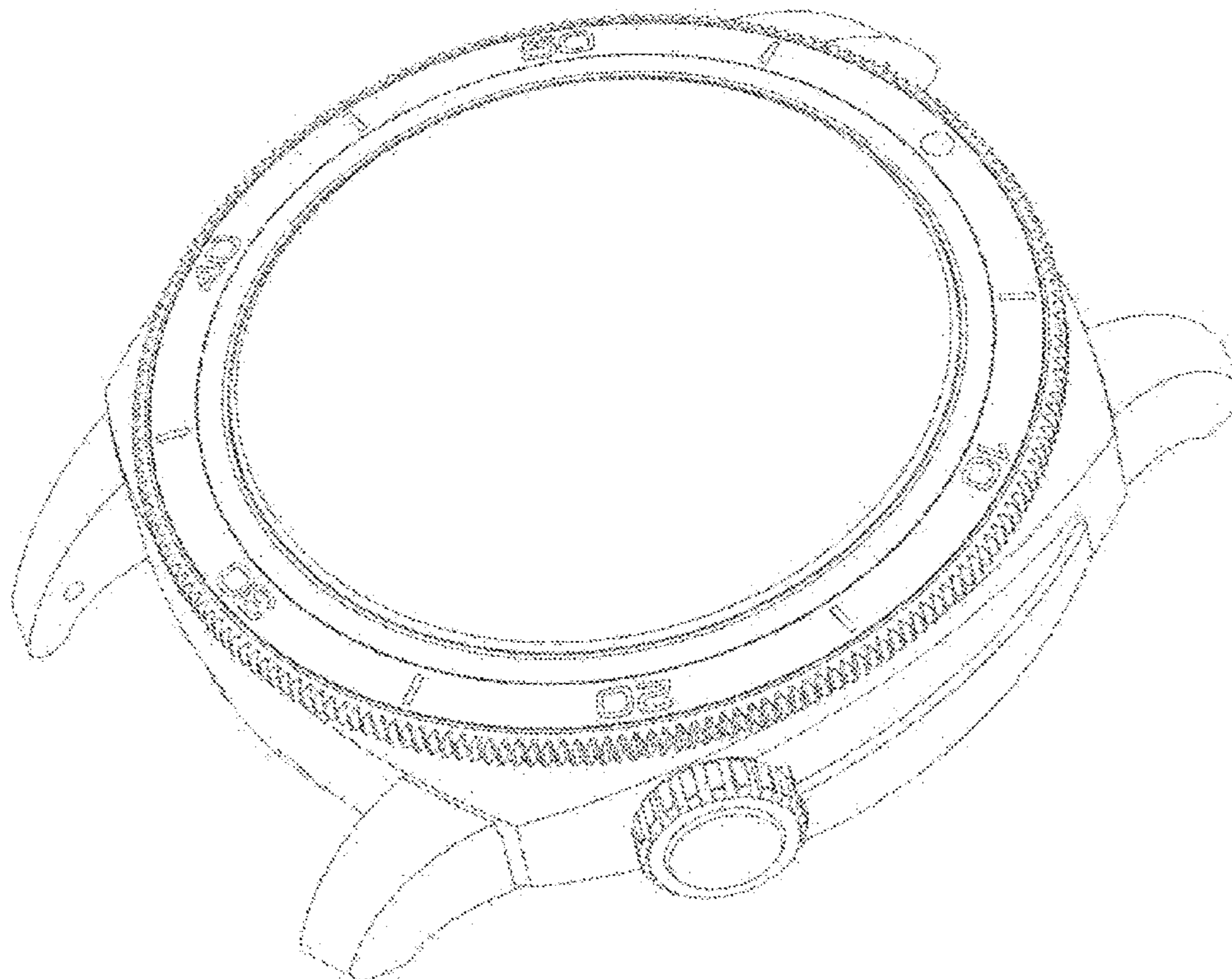
(58) **Field of Classification Search**

USPC D10/1-2, 10, 30-33, 36-39, 98-99,
D10/122-124, 126-128; D11/3;
D14/344

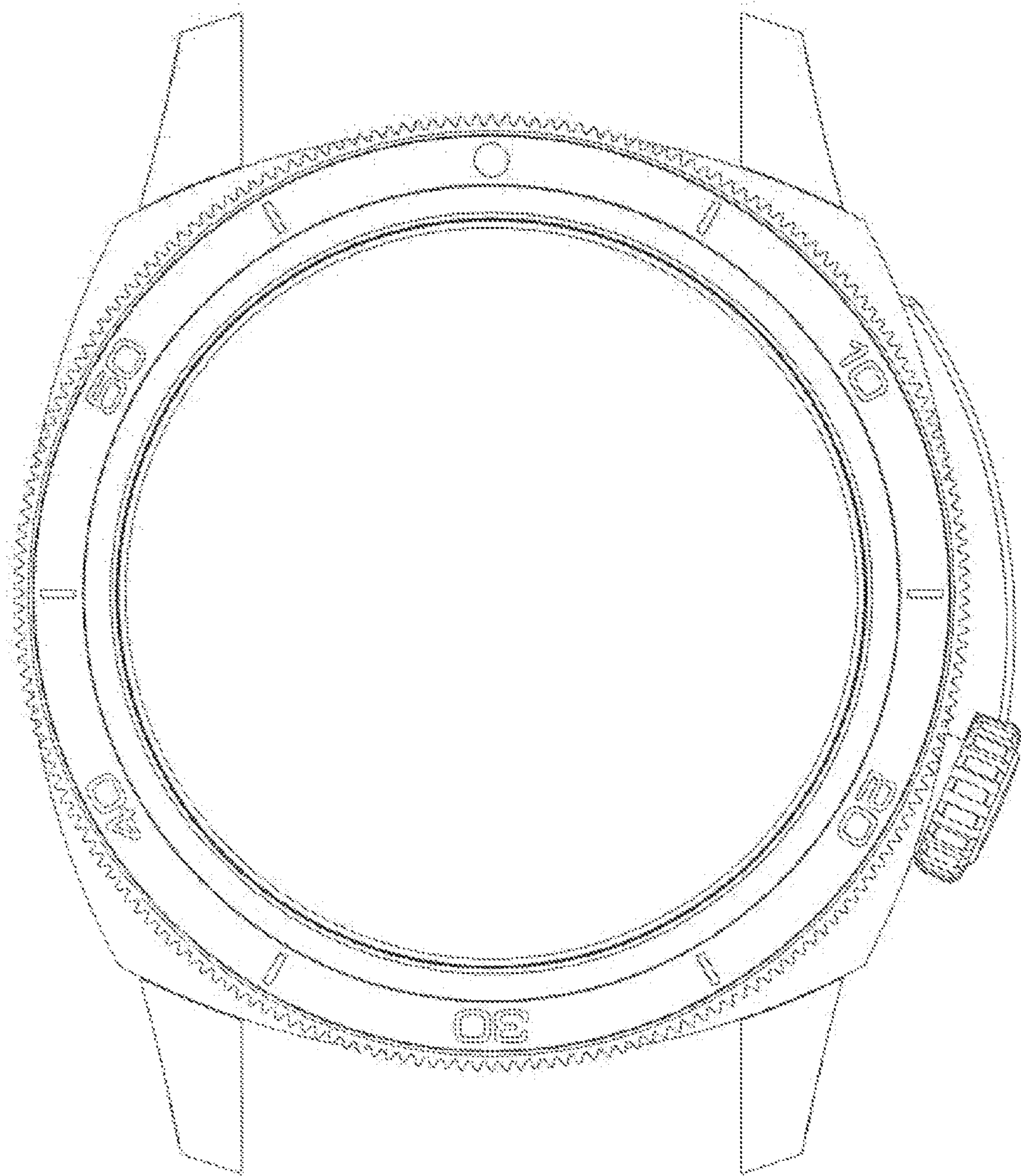
CPC G04B 19/00; G04B 19/04; G04B 19/042;
G04B 19/046; G04B 19/048; G04B
19/06; G04B 19/065; G04B 19/08; G04B
19/082; G04B 19/085; G04B 19/087;
G04B 19/10; G04B 19/103; G04B

FIG. 2.1 is a front view of the watch;
FIG. 2.2 is a rear perspective view thereof;
FIG. 2.3 is a front perspective view thereof;
FIG. 2.4 is a top view thereof;
FIG. 2.5 is a bottom view thereof;
FIG. 2.6 is a left side view thereof; and
FIG. 2.7 is a right side view thereof.

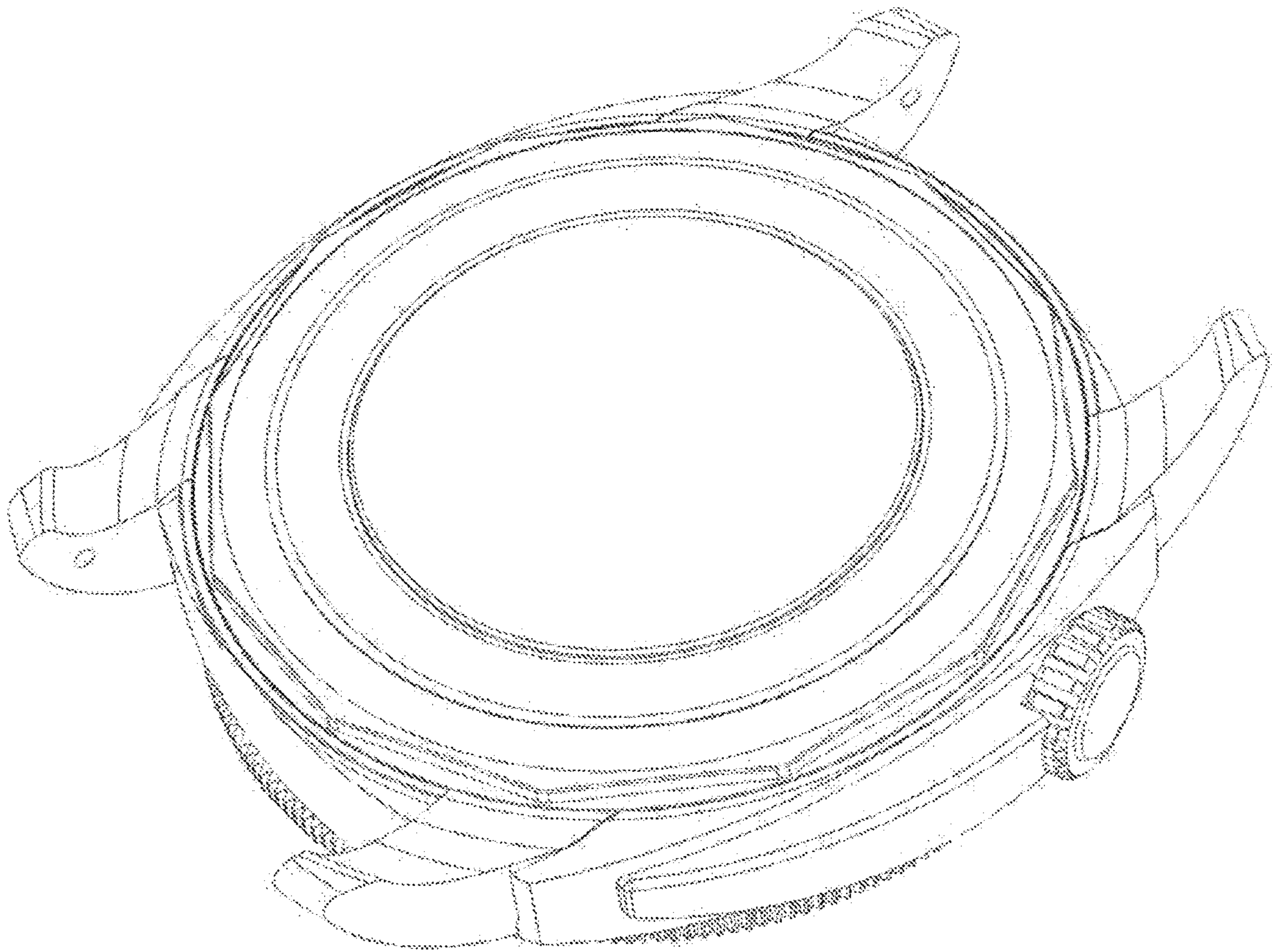
1 Claim, 7 Drawing Sheets



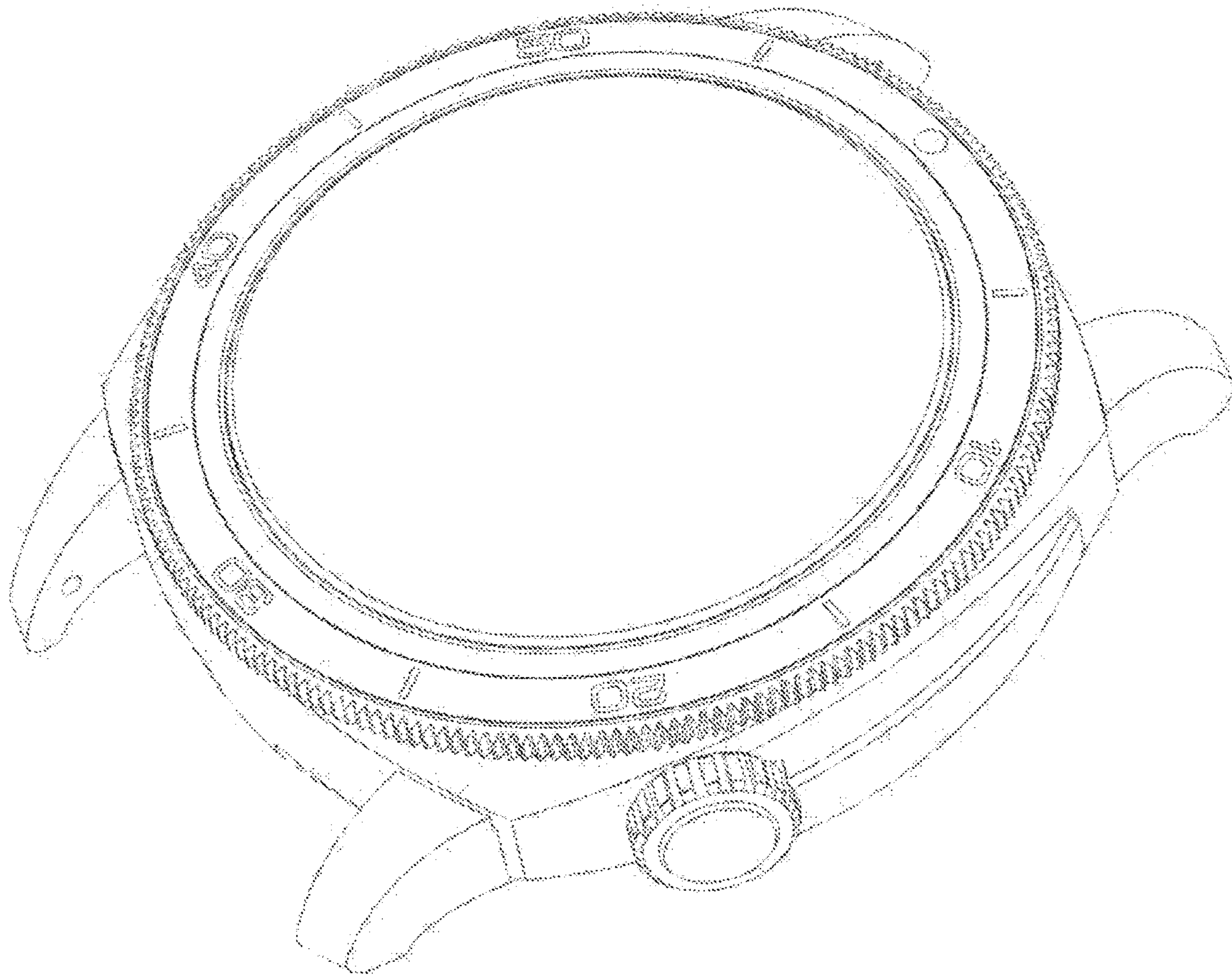
2.1



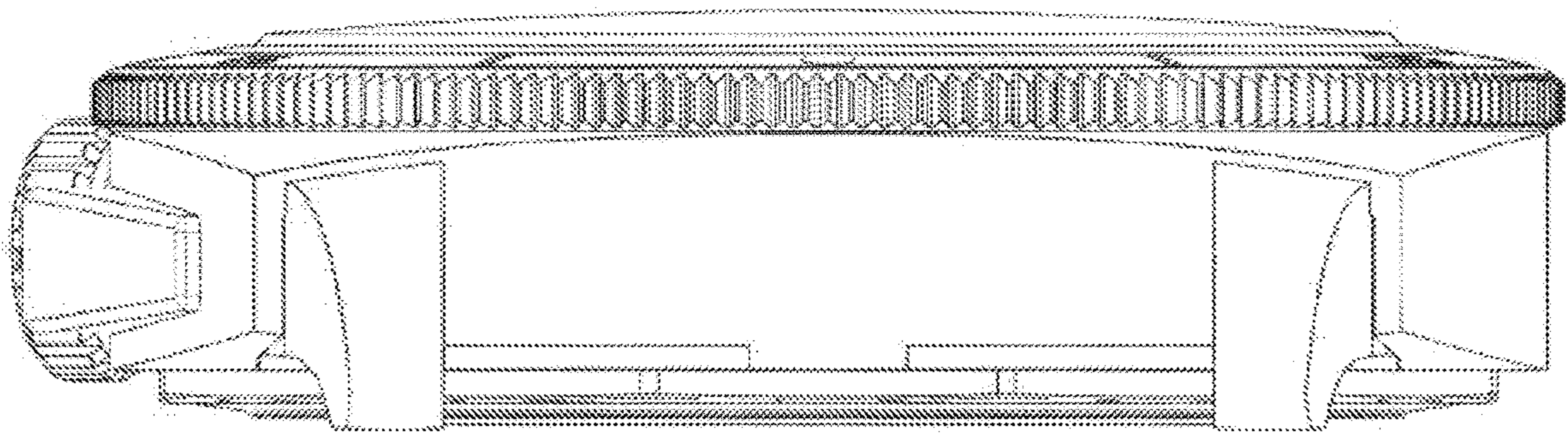
2.2



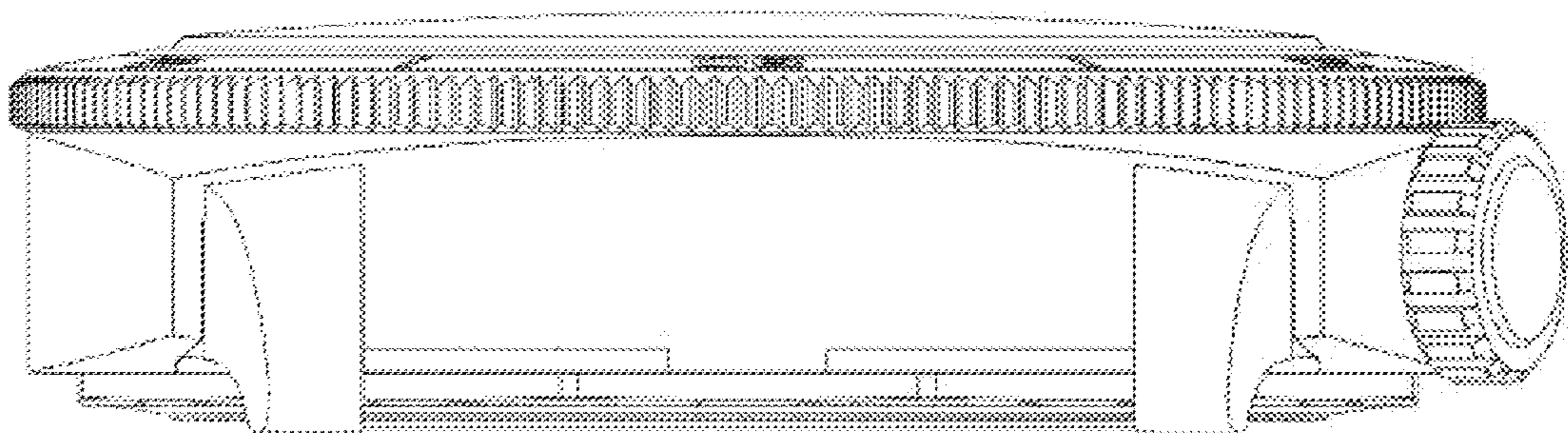
2.3



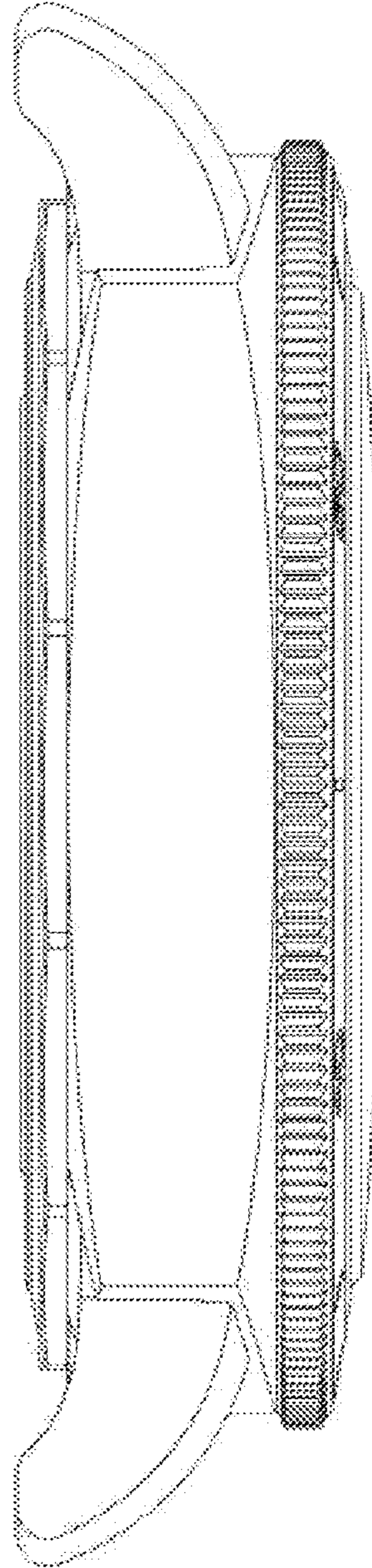
2.4



2.5



2.6



2.7

