



US00D909891S

(12) **United States Design Patent**
Gibbens, Jr.

(10) **Patent No.:** **US D909,891 S**

(45) **Date of Patent:** **** Feb. 9, 2021**

(54) **ALARM CLOCK**

D476,579 S * 7/2003 Harris D10/15
D500,251 S * 12/2004 Harris, Jr. D10/15
D643,313 S * 8/2011 Bulsink D10/15

(71) Applicant: **Harry C. Gibbens, Jr.**, Provo, UT
(US)

(72) Inventor: **Harry C. Gibbens, Jr.**, Provo, UT
(US)

(**) Term: **15 Years**

(21) Appl. No.: **29/665,021**

(22) Filed: **Sep. 28, 2018**

(51) **LOC (13) Cl.** **10-01**

(52) **U.S. Cl.**
USPC **D10/15**

(58) **Field of Classification Search**
USPC D10/1, 2, 5, 6, 7, 14, 15, 18, 17, 20, 21,
D10/22, 24, 48; D26/54, 51; D14/137,
D14/155, 188, 189, 265, 171
CPC .. G04G 5/00; G04G 5/02; G04G 5/04; G04G
9/00; G04G 9/0005; G04G 9/0017; G04G
9/0023; G04G 13/00; G04G 13/02; G04G
13/021; G04G 13/023; G04G 13/028
See application file for complete search history.

(56) **References Cited**

U.S. PATENT DOCUMENTS

D242,385 S * 11/1976 Hamada D14/171
D246,105 S * 10/1977 Coons D14/171
D250,252 S * 11/1978 Booty D10/15
D268,011 S * 2/1983 Bryk D10/15
D348,397 S * 7/1994 Davis D10/15
D363,228 S * 10/1995 Healey D10/15
D394,213 S * 5/1998 Plogman D10/1
5,764,594 A * 6/1998 Berman G04B 25/04
368/12
D475,635 S * 6/2003 Kiu D10/15

OTHER PUBLICATIONS

Amazon, WHT Celebrity Glo-Clock by Westclox, posted Feb. 6, 2017, [online], [visited Nov. 18, 2019]. Internet, <URL: https://www.amazon.co.uk/CELEBRITY-GLO-CLOCK-Nyl-Holdings-Westclox/dp/B01NCVV09P/ref=sr_1_10?keywords=WESTCLOX&qid=1573850254&sr=8-10> (Year: 2017).
Deafworks, Provo, Utah, Futuristic Alarm Clock, www.deafworks.com website, accessed: Sep. 28, 2018.

* cited by examiner

Primary Examiner — Sheryl Lane

Assistant Examiner — Samantha N Wood

(74) *Attorney, Agent, or Firm* — Workman Nydegger

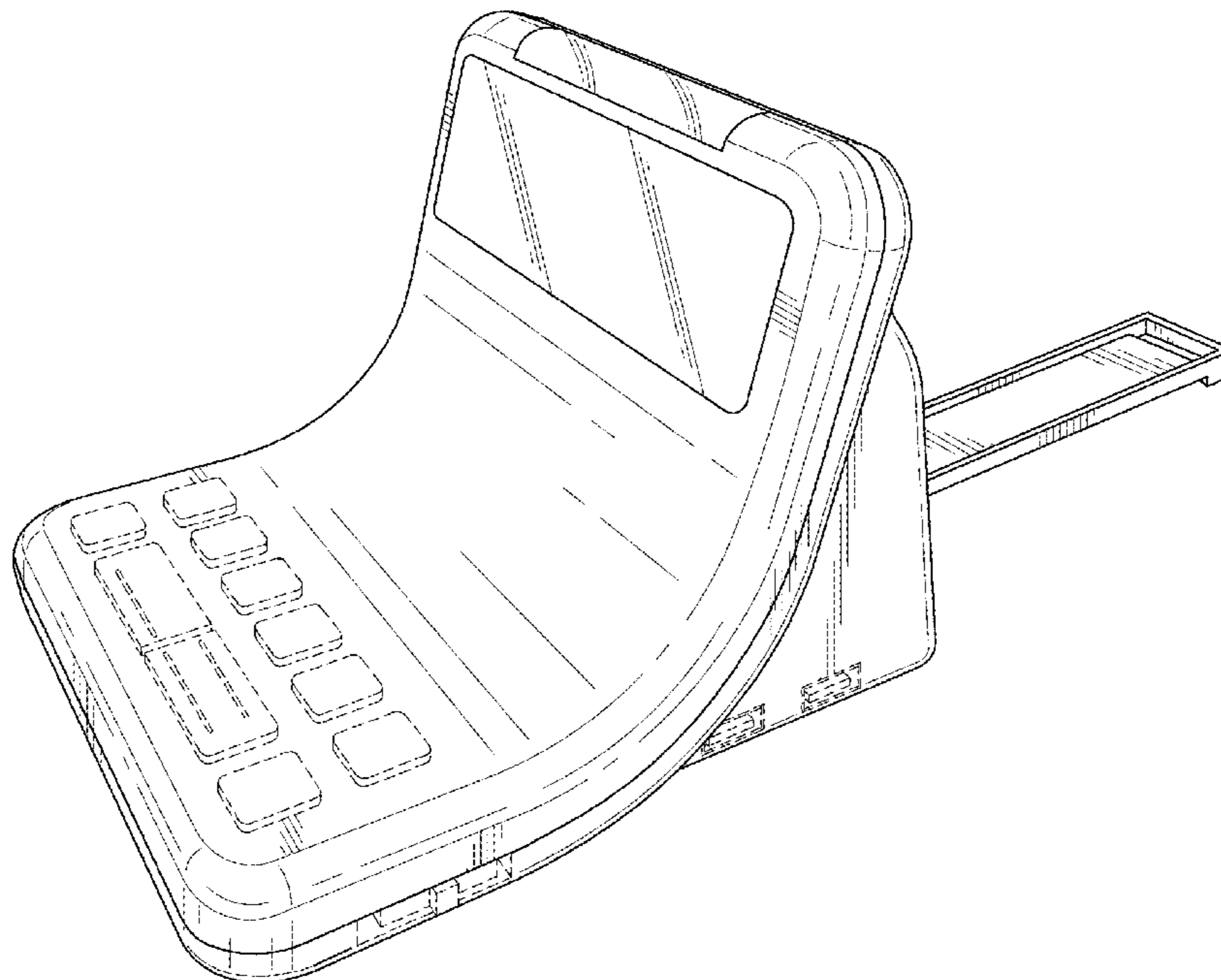
(57) **CLAIM**

The ornamental design for an alarm clock, as shown and described.

DESCRIPTION

FIG. 1 is a top perspective view of the alarm clock.
FIG. 2 is a bottom perspective view thereof.
FIG. 3 is a front view thereof;
FIG. 4 is a back view thereof;
FIG. 5 is a top view thereof;
FIG. 6 is a bottom view thereof;
FIG. 7 is a right-side view thereof; and,
FIG. 8 is a left-side view thereof.
Objects shown in broken lines are shown for environmental purposes only and form no part of the claimed design.

1 Claim, 7 Drawing Sheets



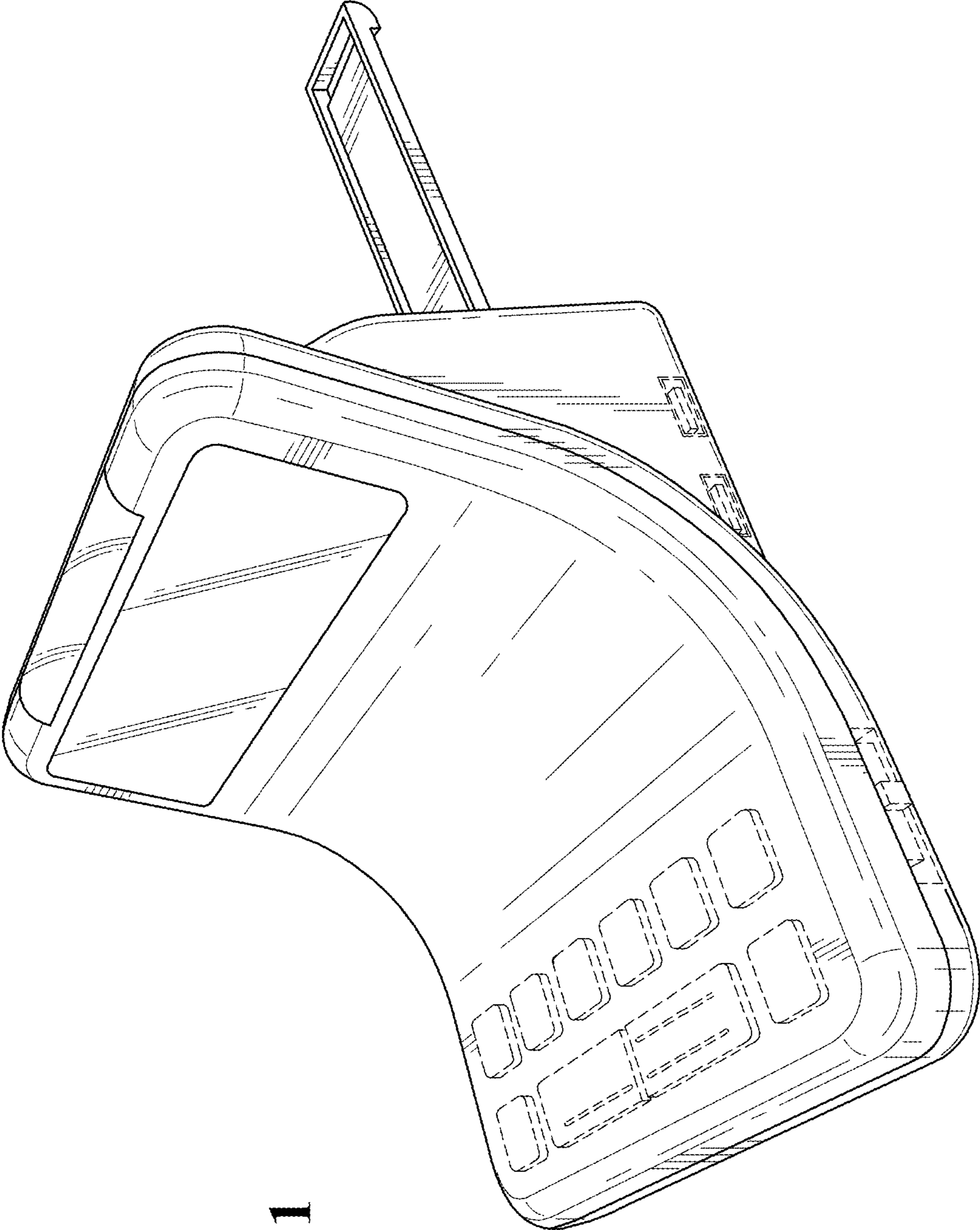


FIG. 1

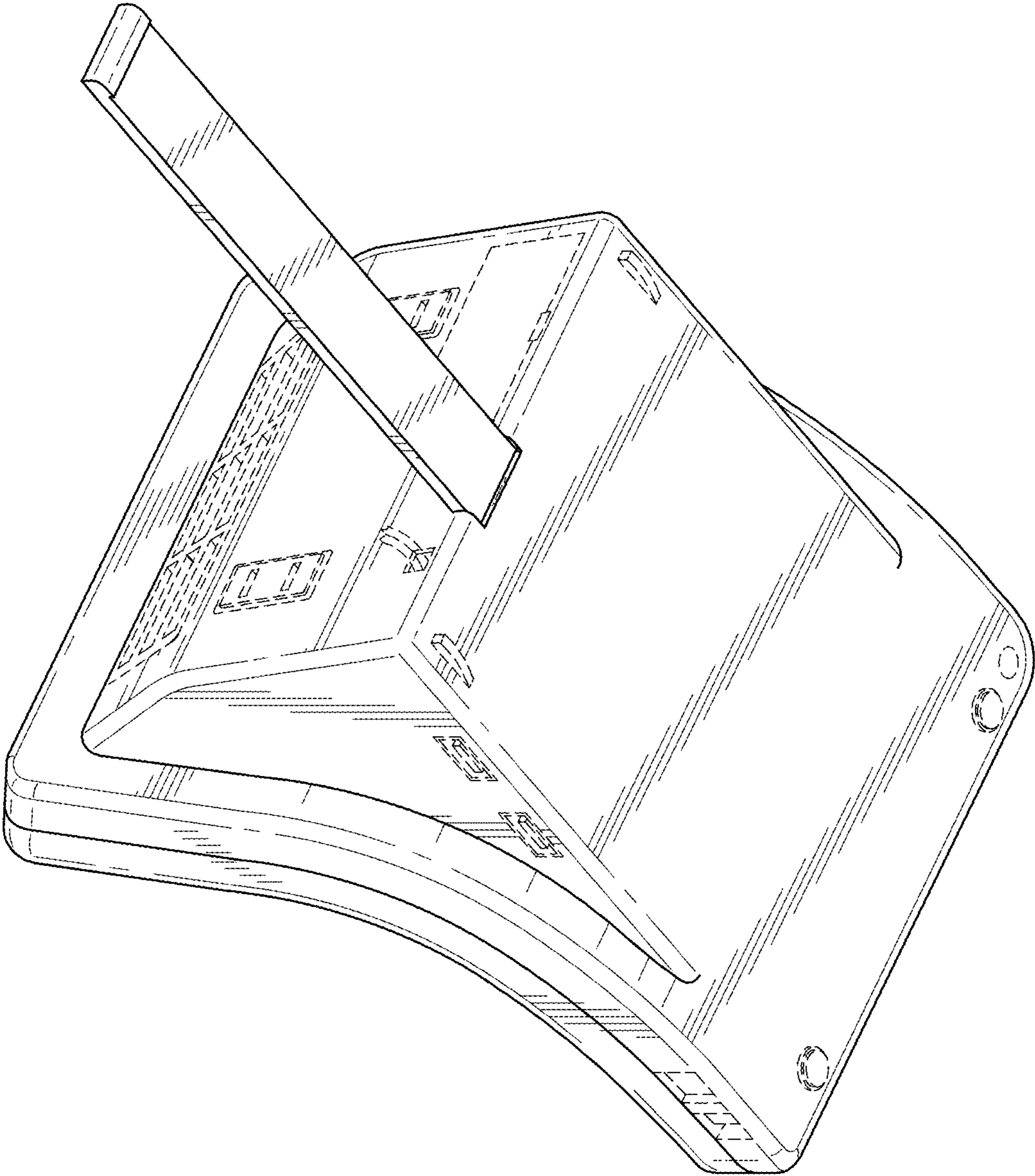


FIG. 2

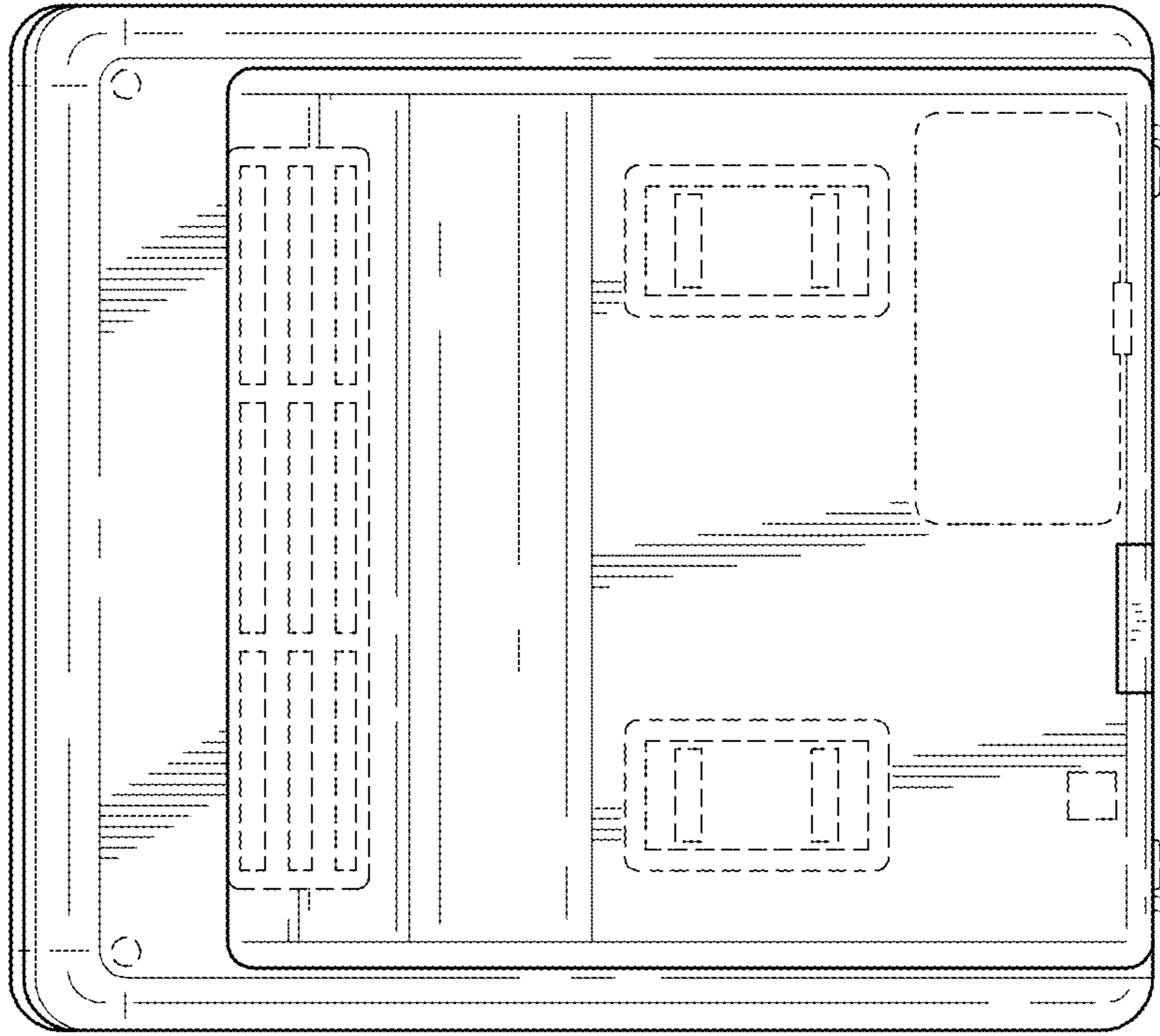


FIG. 4

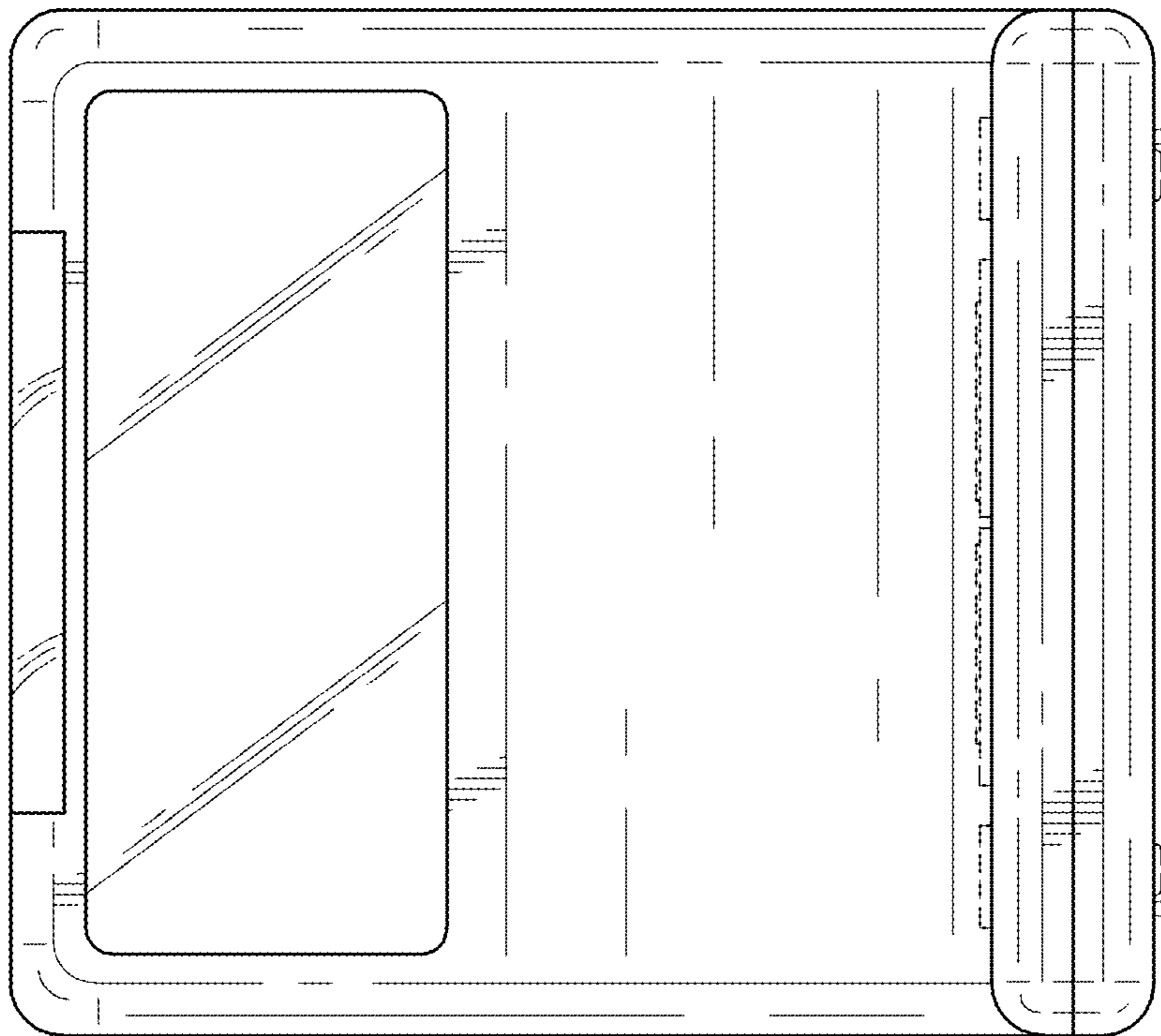


FIG. 3

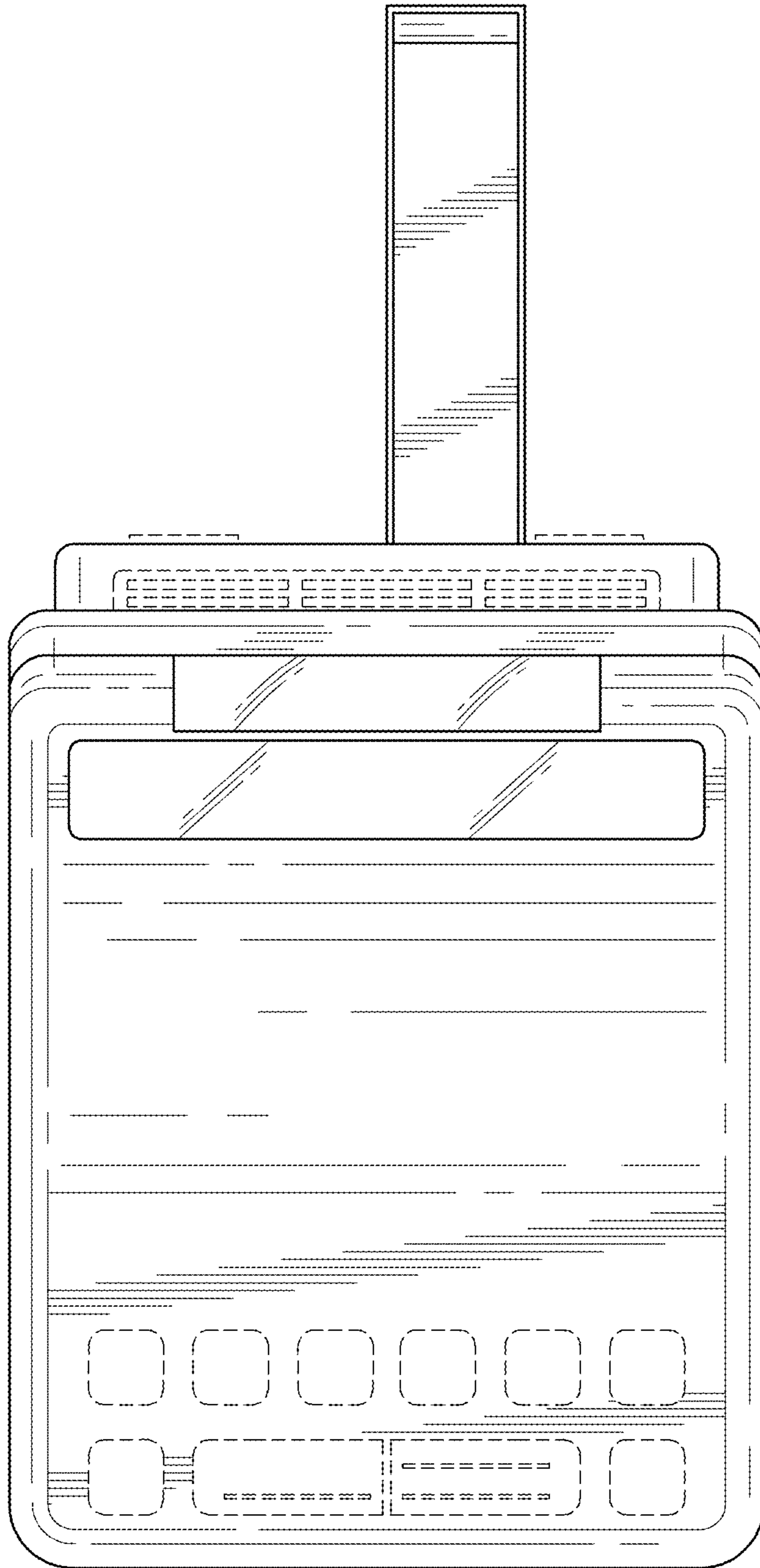


FIG. 5

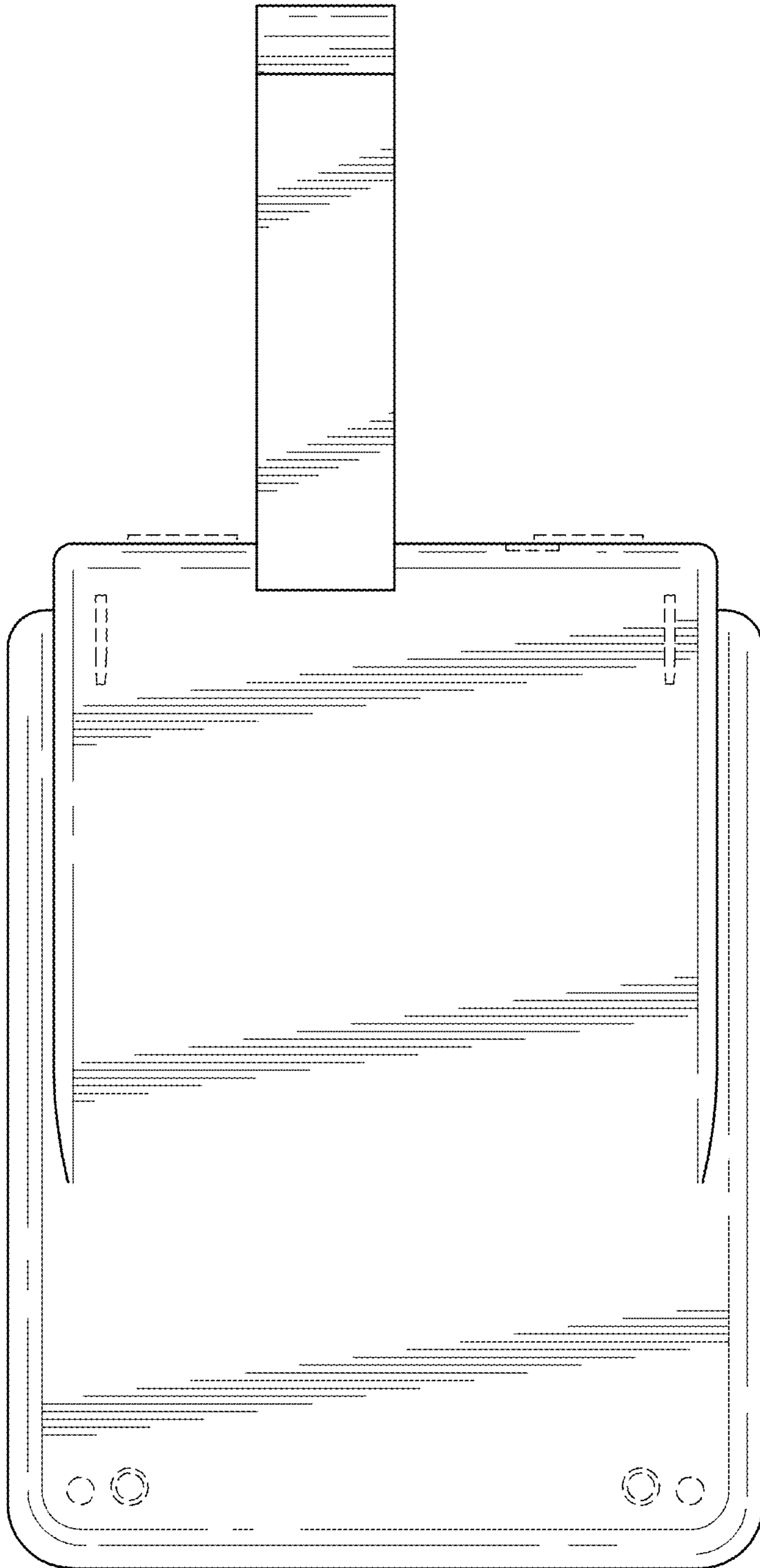


FIG. 6

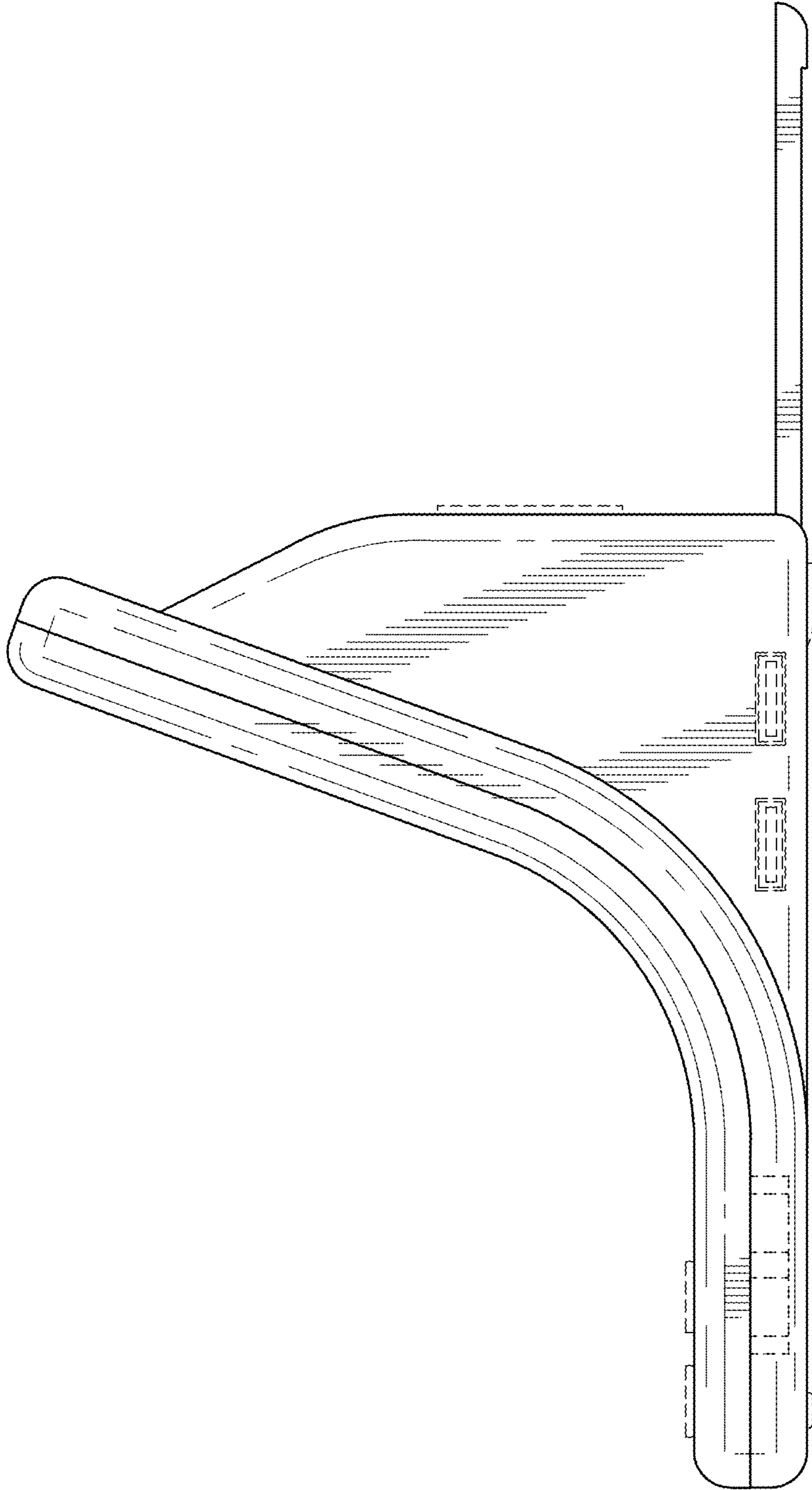


FIG. 7

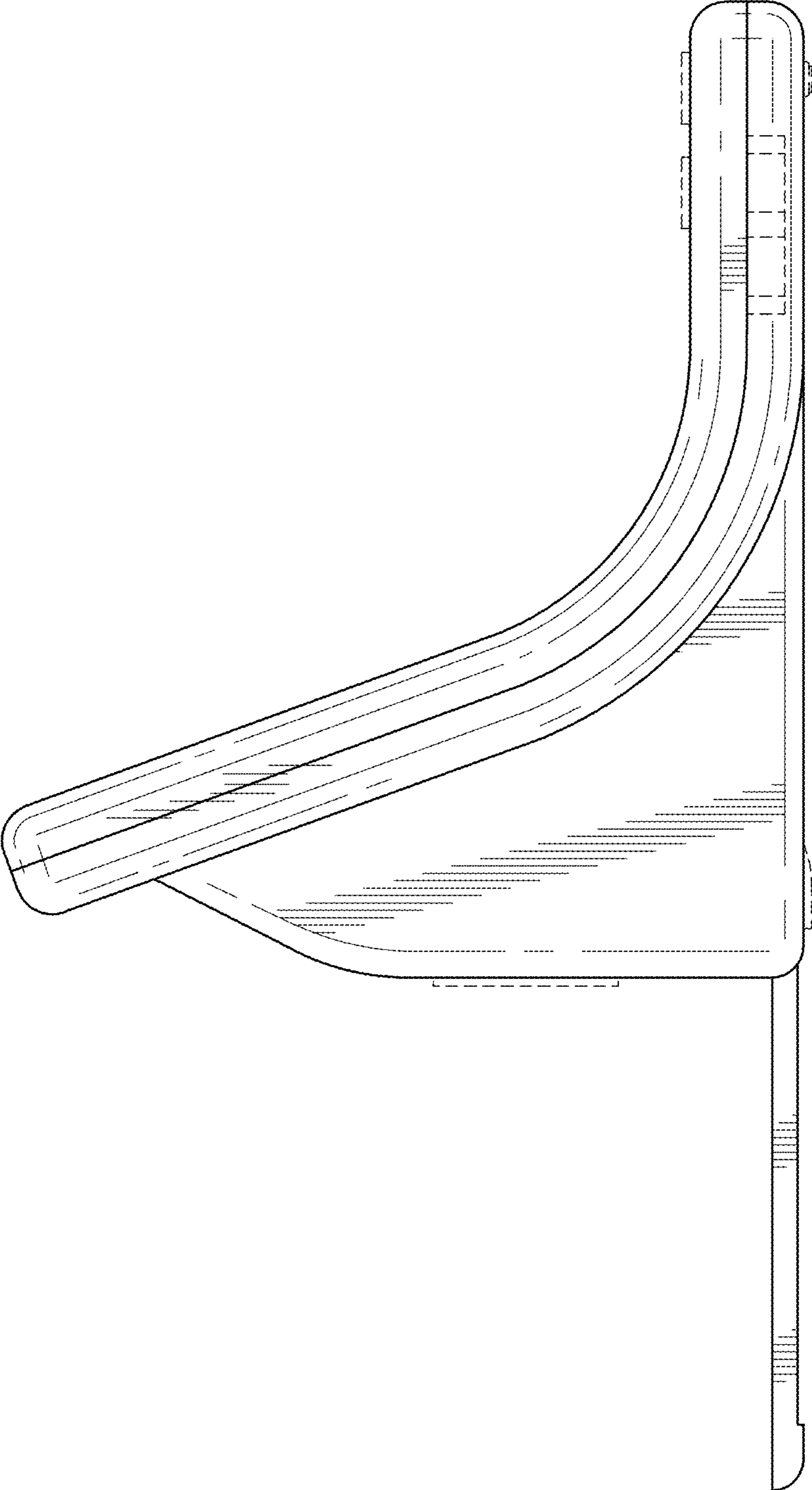


FIG. 8