



US00D909890S

(12) **United States Design Patent** (10) **Patent No.:** **US D909,890 S**
Bryzek et al. (45) **Date of Patent:** **** Feb. 9, 2021**

(54) **TRAY ASSEMBLY**

(71) Applicant: **Medline Industries, Inc.**, Northfield, IL (US)

(72) Inventors: **Joseph Bryzek**, Kenosha, WI (US); **Sharbel Maalouf**, Pleasant Prairie, WI (US); **David Russo**, Glenview, IL (US); **Dirk Benson**, Lake Forest, IL (US)

(73) Assignee: **Medline Industries, Inc.**, Northfield, IL (US)

(**) Term: **15 Years**

(21) Appl. No.: **29/624,160**

(22) Filed: **Oct. 30, 2017**

(51) **LOC (13) Cl.** **09-03**

(52) **U.S. Cl.**
USPC **D9/737**

(58) **Field of Classification Search**
USPC D9/737, 756, 759, 761, 503, 504, 414, D9/424-426, 430, 432; D7/538, 541, D7/542, 553.1, 553.3, 553.7, 555, 557, D7/701, 703, 708, 602, 629; D3/203.3, D3/273, 283, 294, 295, 310, 313; D24/226, 227, 229; 229/120.02, 120.07, 229/406, 407, 904, 906; 220/500, 507,
(Continued)

(56) **References Cited**

U.S. PATENT DOCUMENTS

4,170,300 A 10/1979 Pick
D258,422 S * 3/1981 Mullinix D9/416
(Continued)

OTHER PUBLICATIONS

Sage Products LLC, "2% Chlorhexidine Gluconate* Cloth," https://sageproducts.com/wp-content/uploads/N2Tsystem_large.jpg, Sep. 19, 2017.

(Continued)

Primary Examiner — W. A. Teddy Falloway

(74) *Attorney, Agent, or Firm* — Fitch, Even, Tabin & Flannery LLP

(57) **CLAIM**

We claim the ornamental design for a tray assembly, as shown and described.

DESCRIPTION

FIG. 1 is a front perspective view of our new design of a tray assembly having a lid, tray, and insert, and showing the lid in a closed configuration;

FIG. 2 is a front perspective view thereof showing the lid partially removed from the tray to reveal the insert and contents of the tray;

FIG. 3 is a front exploded perspective view thereof with the lid, contents, and insert removed from the tray;

FIG. 4 is a top plan view of the tray of the tray assembly of FIGS. 1-3, shown separately for completeness of illustration;

FIG. 5 is a front elevation view thereof;

FIG. 6 is a rear elevation view thereof;

FIG. 7 is a right side elevation view thereof, and the left side elevation view being a mirror image thereof;

FIG. 8 is a bottom plan view thereof;

FIG. 9 is a top plan view of the insert of the tray assembly of FIGS. 1-3, shown separately for completeness of illustration;

FIG. 10 is a front elevation view thereof;

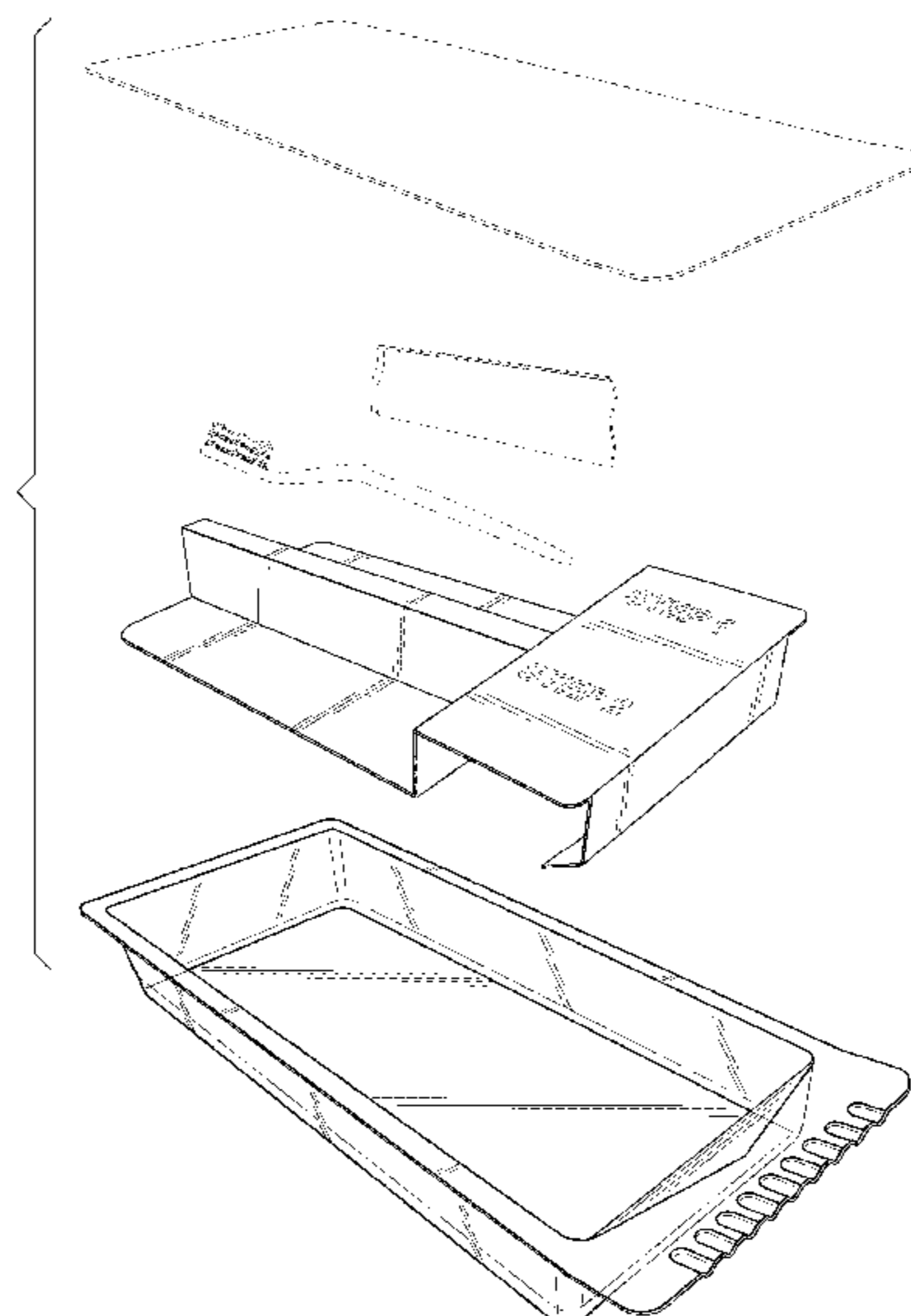
FIG. 11 is a rear elevation view thereof;

FIG. 12 is a right side elevation view thereof, and the left side elevation view being a mirror image thereof; and,

FIG. 13 is a bottom plan view thereof.

The broken lines illustrate unclaimed portions of the tray assembly or environmental subject matter and form no part of the claimed design.

1 Claim, 11 Drawing Sheets



(58) **Field of Classification Search**

USPC 220/508, 553, 555, 556; 206/521.1,
206/521.15, 561, 443
CPC . A61B 50/33; A61B 50/30; A61B 2050/0065;
A61B 2050/3008; A61B 17/865; A61B
17/8875; A61B 2017/00362; A61C 19/02;
A61C 2202/00; A61M 2209/06; A61M
5/002; A61M 25/002; A61J 1/00; B65D
75/36; B65D 75/367; A45D 44/18; A46B
15/0091; B65B 61/207

See application file for complete search history.

(56) **References Cited**

U.S. PATENT DOCUMENTS

4,501,363 A * 2/1985 Isbey, Jr. A61B 50/33
206/363
D282,516 S * 2/1986 Otto D7/538
4,828,113 A 5/1989 Friedland
D329,601 S * 9/1992 Samelson D9/721
D349,456 S * 8/1994 Wilson 206/541
5,709,866 A 1/1998 Booras
5,779,053 A 7/1998 Partika
5,979,658 A 11/1999 Allen
D421,365 S * 3/2000 Miller D7/549
D436,313 S * 1/2001 Joshua D9/418
6,206,192 B1 3/2001 Winstead
D450,240 S * 11/2001 Haag D9/416
D466,010 S * 11/2002 Valdez D3/295
D480,816 S * 10/2003 McMichael D24/227
6,640,976 B1 * 11/2003 Franks-Farah A61B 50/31
206/232
6,769,546 B2 * 8/2004 Busch A61B 17/3401
206/366
6,896,141 B2 * 5/2005 McMichael A61B 50/30
206/370
6,907,992 B2 * 6/2005 McMichael A61B 50/30
206/370
6,910,581 B2 * 6/2005 McMichael A61B 50/30
206/370
7,066,916 B2 6/2006 Keaty, Jr.
D531,024 S * 10/2006 Feldmeier D9/425
7,427,574 B2 9/2008 Allen
7,458,464 B1 12/2008 Kutsch
7,578,391 B2 * 8/2009 Nakamura A61B 50/30
206/223
7,595,021 B2 9/2009 Keaty, Jr.
7,717,889 B2 5/2010 Keaty, Jr.
D636,894 S * 4/2011 Tomes D24/227
7,935,093 B2 5/2011 Hanifl
7,967,145 B2 6/2011 Tchouangang

8,181,786 B1 5/2012 Alas
8,221,365 B2 7/2012 Keaty, Jr.
D676,321 S * 2/2013 Jones D9/456
D702,118 S * 4/2014 Gianoli D9/424
D731,326 S * 6/2015 Johansson D9/737
9,592,180 B2 * 3/2017 Weinstein A61M 5/002
9,808,400 B2 * 11/2017 Tomes A61J 1/00
D818,604 S * 5/2018 Smith D24/229
D826,714 S * 8/2018 Pipes D9/456
D829,565 S * 10/2018 Safdie D9/737
D829,566 S * 10/2018 Safdie D9/737
D830,824 S * 10/2018 Safdie D9/432
D849,539 S * 5/2019 Watson D9/456
D855,450 S * 8/2019 Klein D9/415
10,390,901 B2 * 8/2019 Godfrey A61M 5/002
D882,391 S * 4/2020 De Buhr D9/415
D882,416 S * 4/2020 Duarte de Castro D9/737
D882,417 S * 4/2020 Duarte de Castro D9/737
D883,802 S * 5/2020 Meech D9/748
10,660,734 B1 * 5/2020 Chapman A61C 19/02
D892,632 S * 8/2020 Bogdziewicz D9/737
D895,439 S * 9/2020 Meech D9/748
2003/0159969 A1 * 8/2003 McMichael A61B 50/30
206/570
2004/0238399 A1 * 12/2004 Billado, Jr. B44D 3/127
206/564
2005/0033430 A1 * 2/2005 Powers A61B 50/33
623/17.11
2006/0042992 A1 * 3/2006 Vulcano G09F 5/00
206/581
2007/0095679 A1 * 5/2007 Nakamura A61B 50/33
206/210
2007/0114139 A1 * 5/2007 Moore A61C 19/02
206/63.5
2008/0227051 A1 * 9/2008 Szwajkowski A61C 7/00
433/24
2008/0308450 A1 12/2008 Tchouangang
2010/0078347 A1 4/2010 Brinker
2010/0270203 A1 10/2010 Khan
2015/0164485 A1 6/2015 Nickell
2016/0228676 A1 8/2016 Glithero
2019/0118172 A1 * 4/2019 Staton C12M 23/54
2019/0126023 A1 5/2019 Bryzek
2019/0144187 A1 * 5/2019 Hartman B65D 75/366
206/766

OTHER PUBLICATIONS

Sage Products LLC, "Reduce Surgical Site In fection Risk with Pre-Op Prepping Systems," [https://sageproducts.com /product-preoperative-care/](https://sageproducts.com/product-preoperative-care/), Sep. 19, 2017.

* cited by examiner

FIG. 1

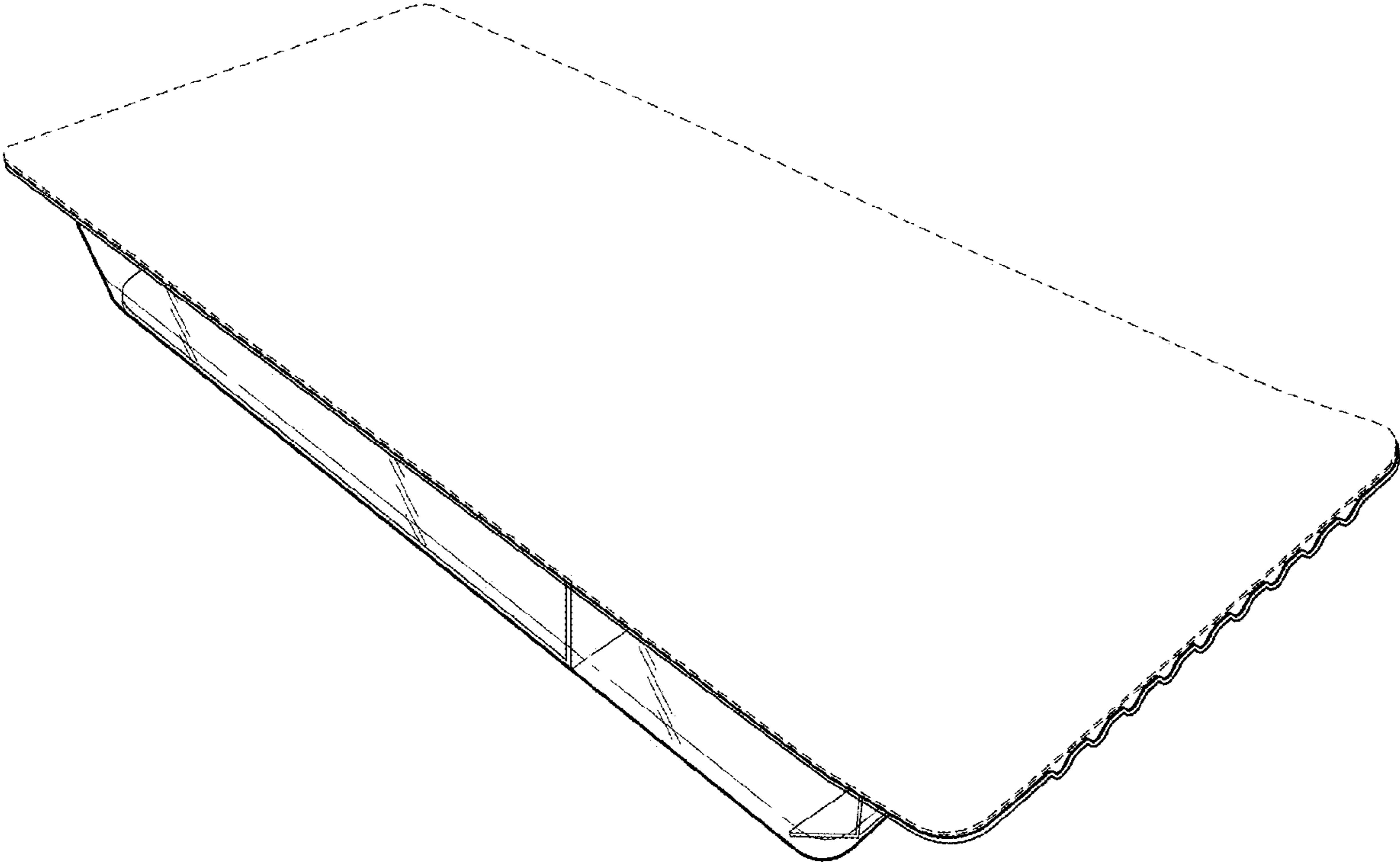


FIG. 2

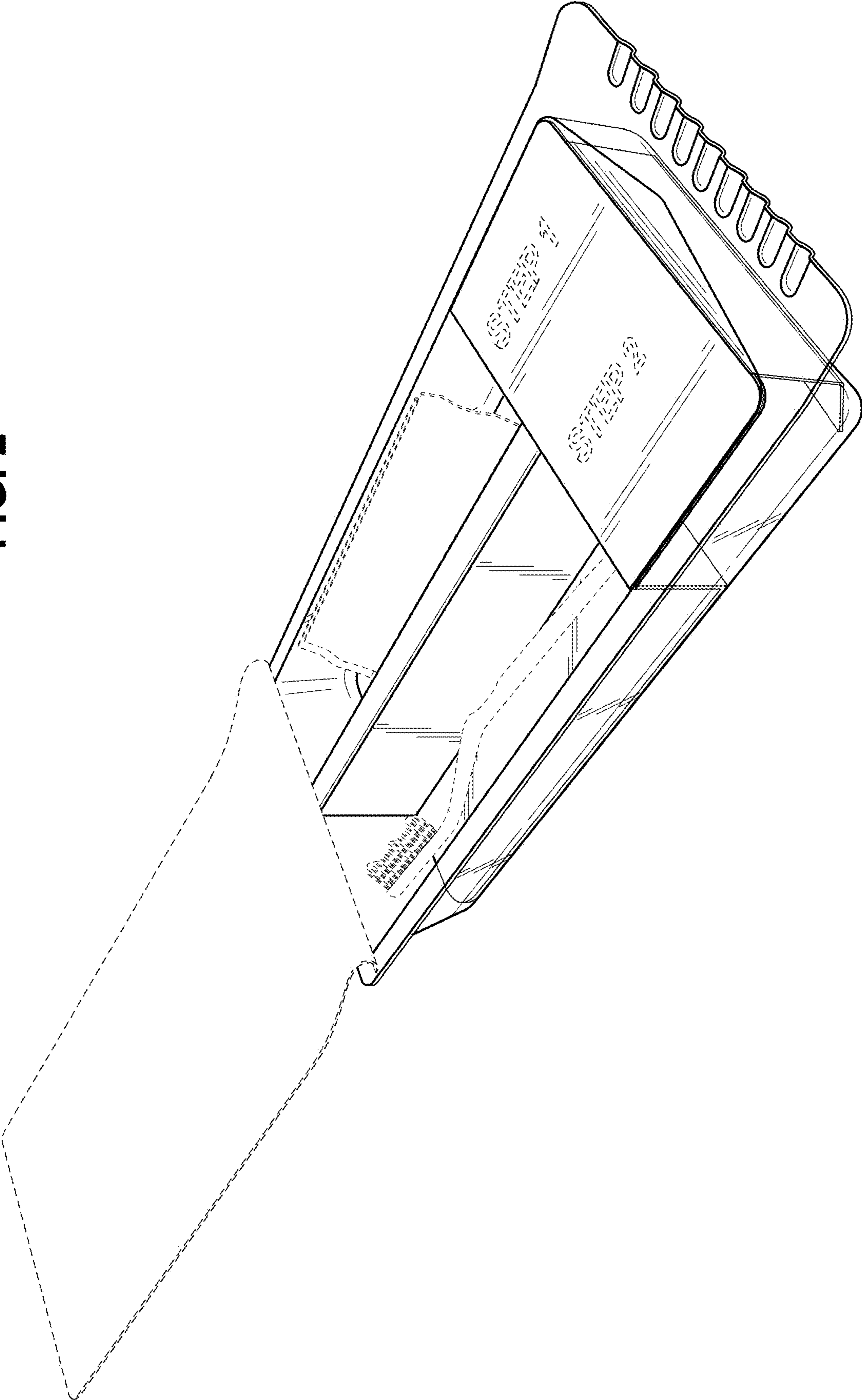


FIG. 3

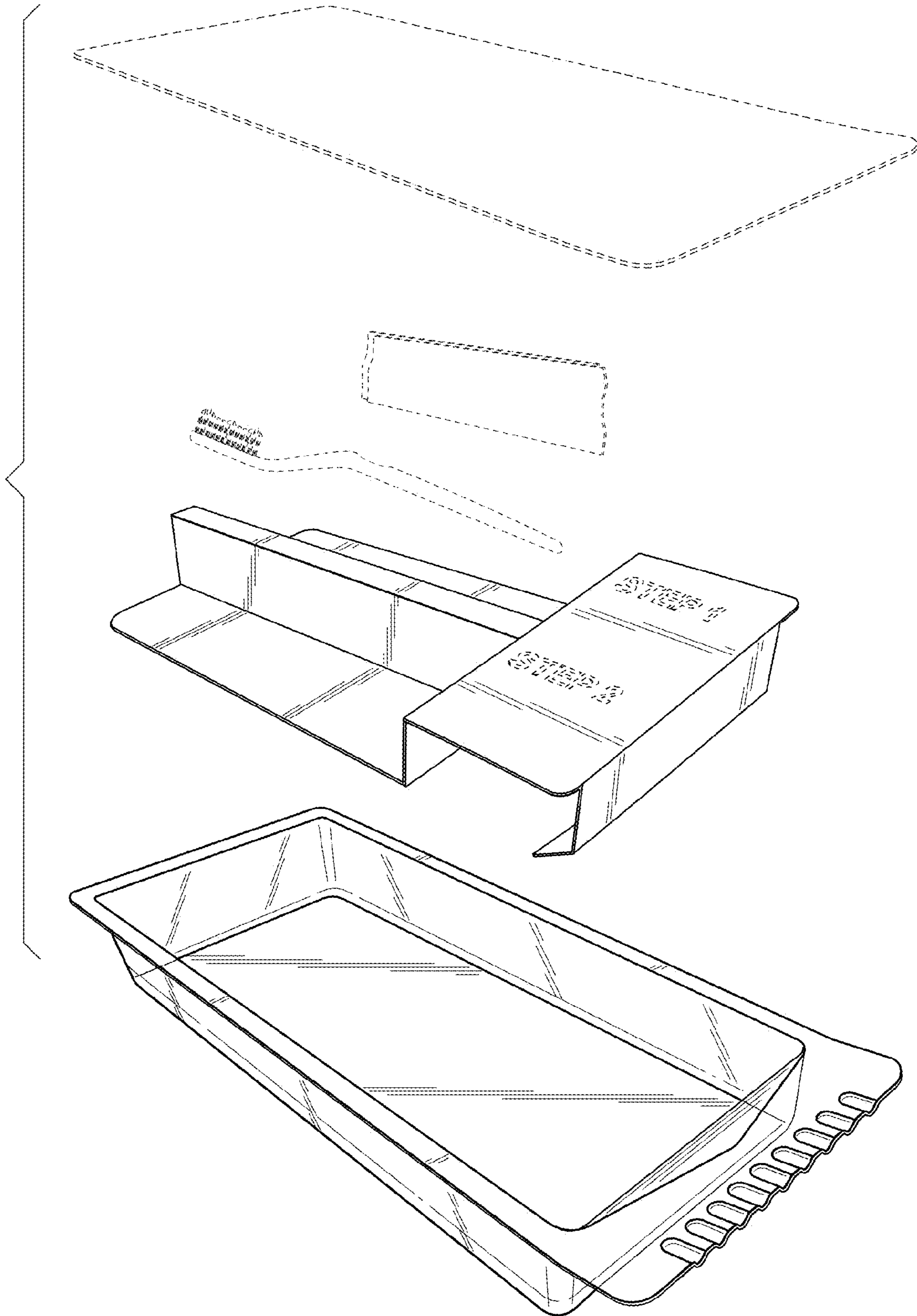


FIG. 4

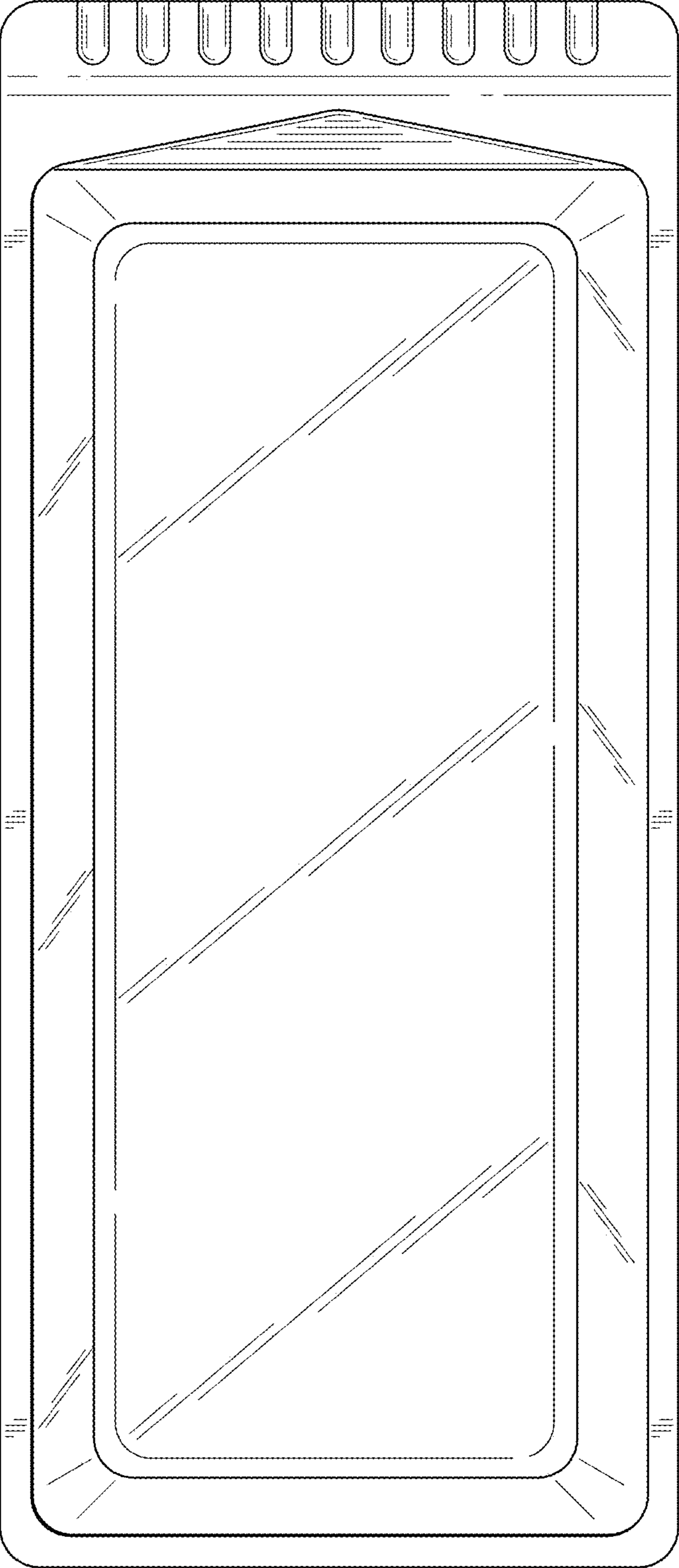


FIG. 5

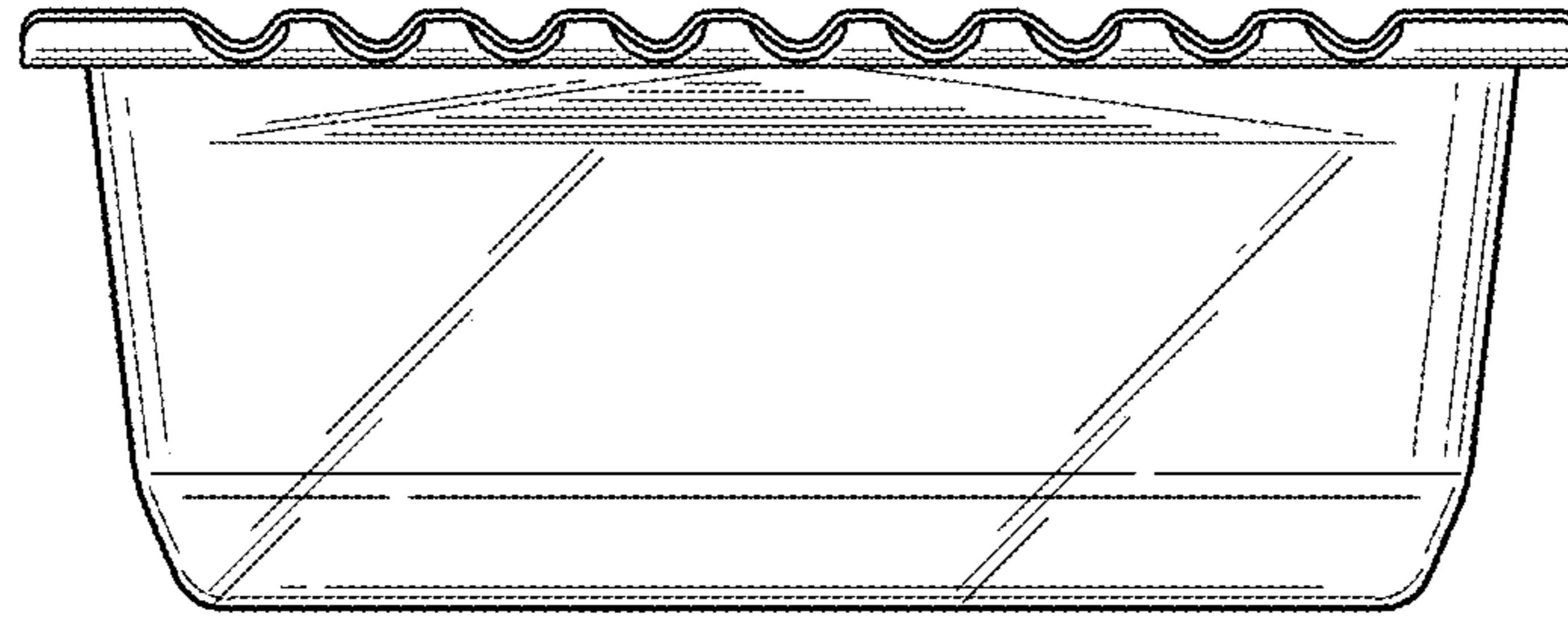


FIG. 6

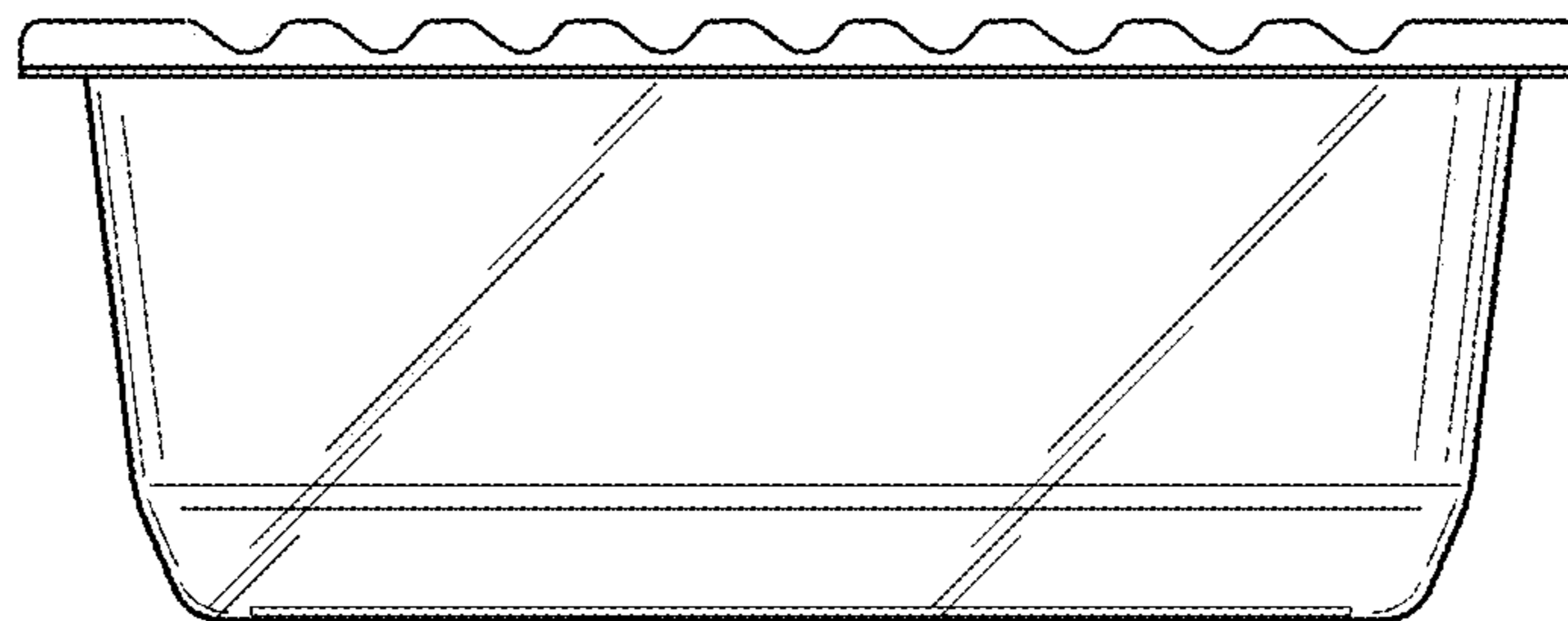


FIG. 7

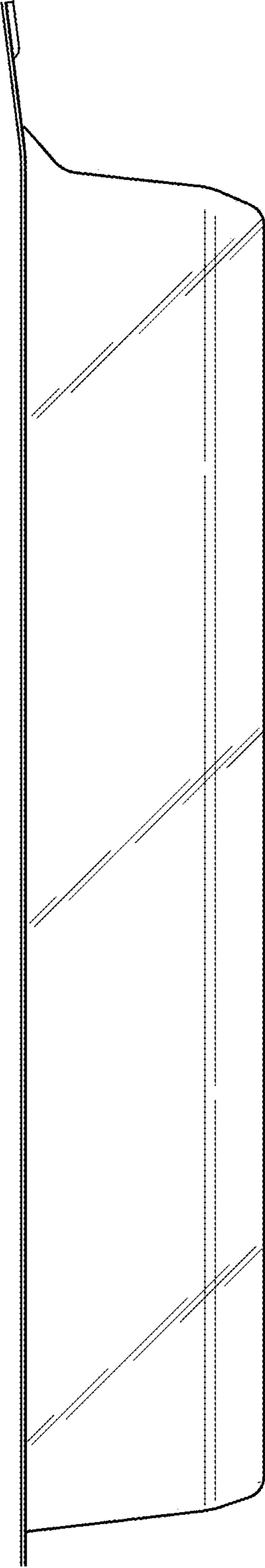


FIG. 8

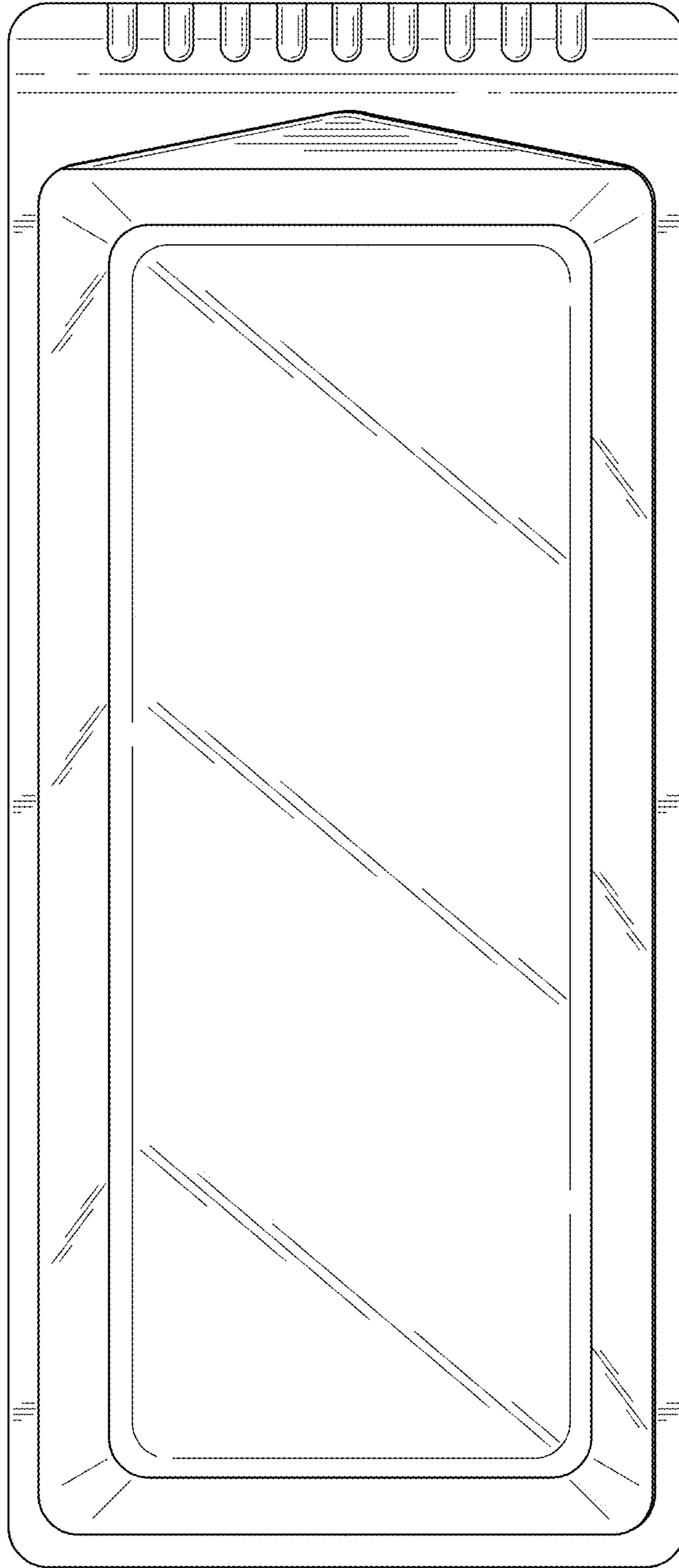


FIG. 9

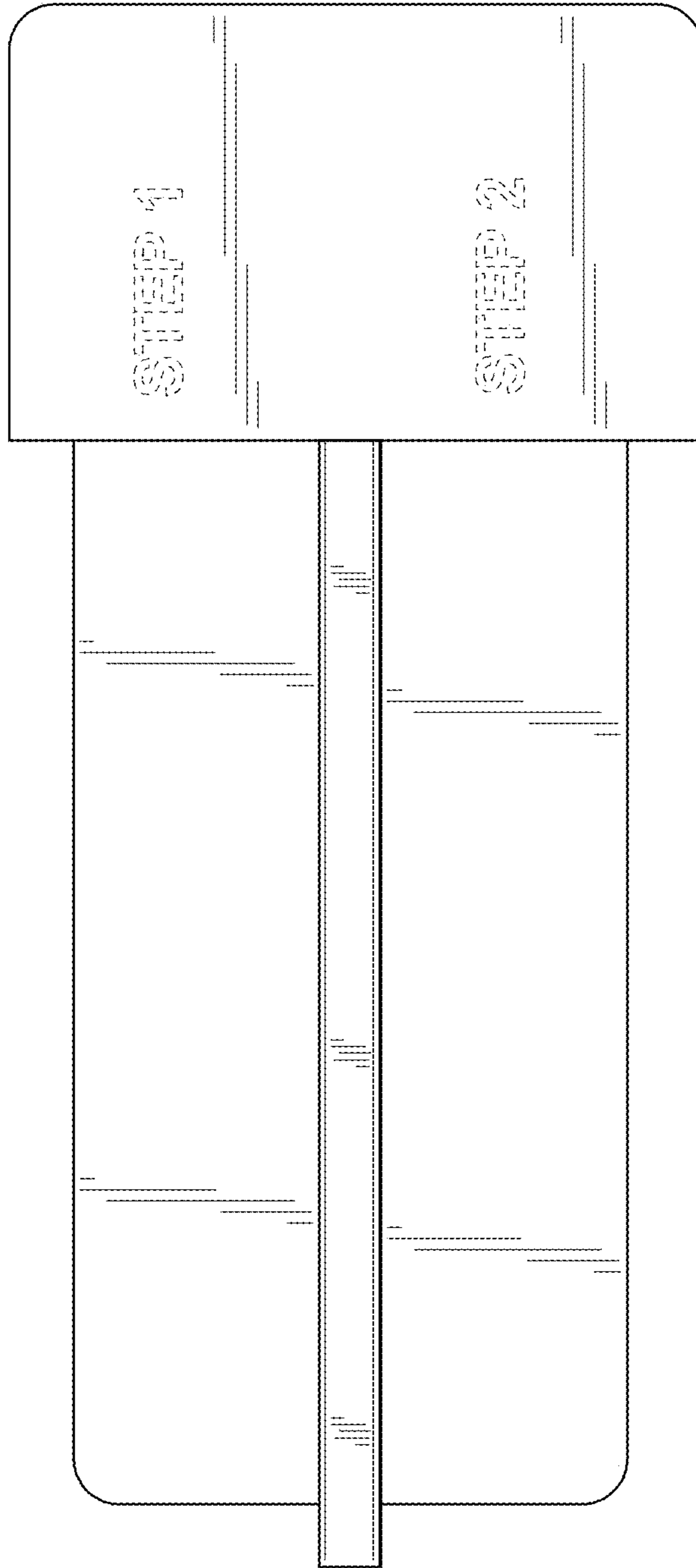


FIG. 10

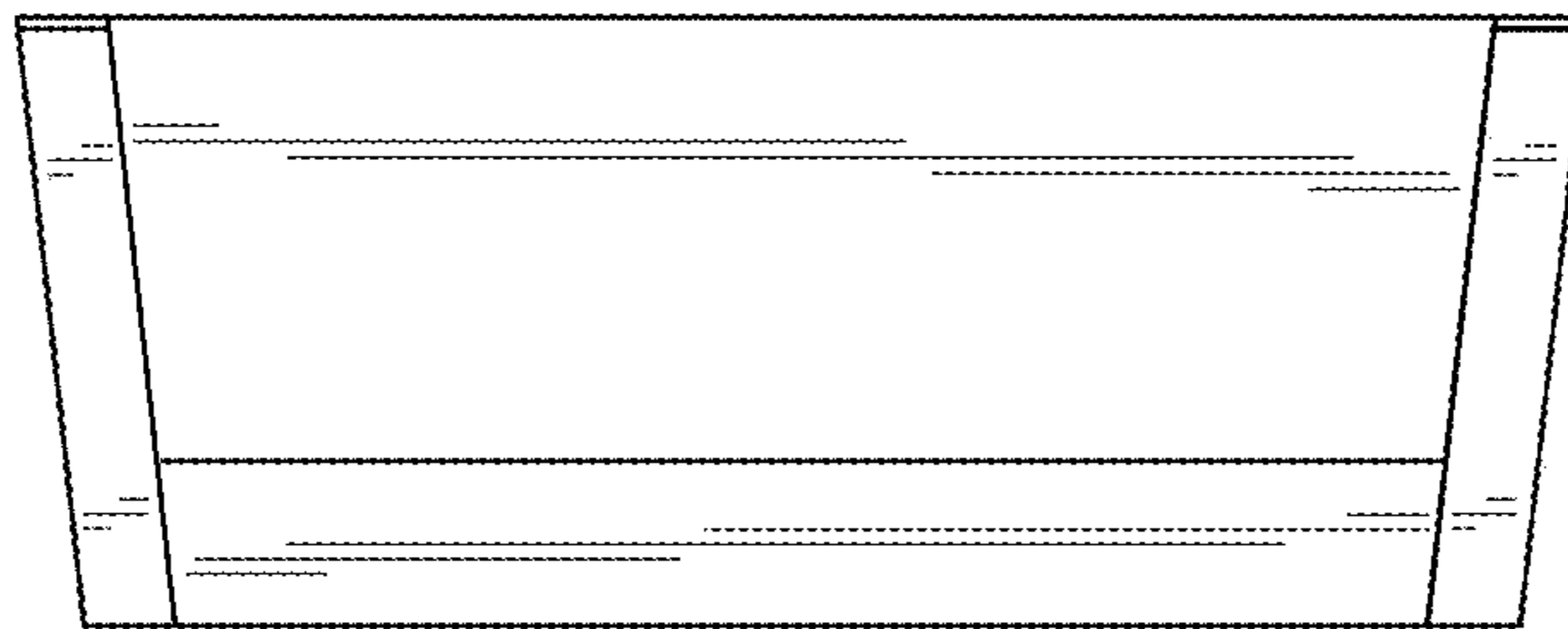


FIG. 11

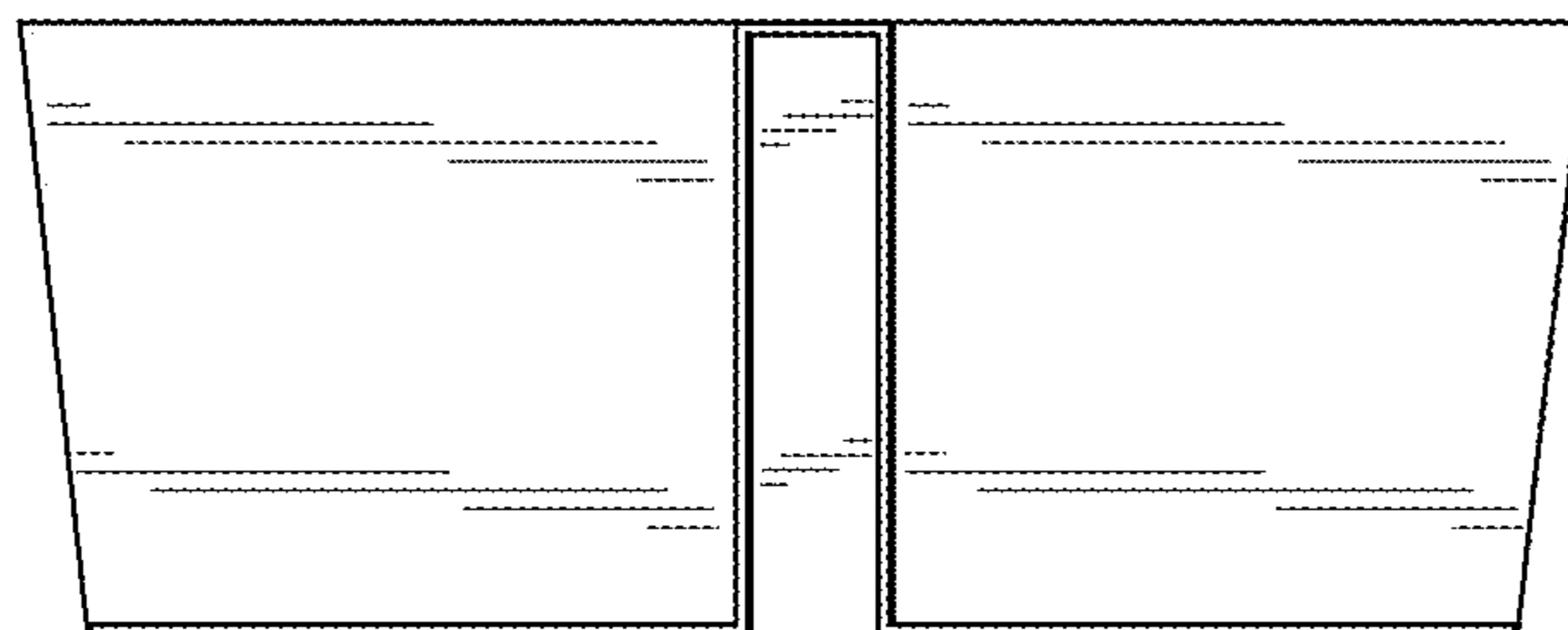


FIG. 12

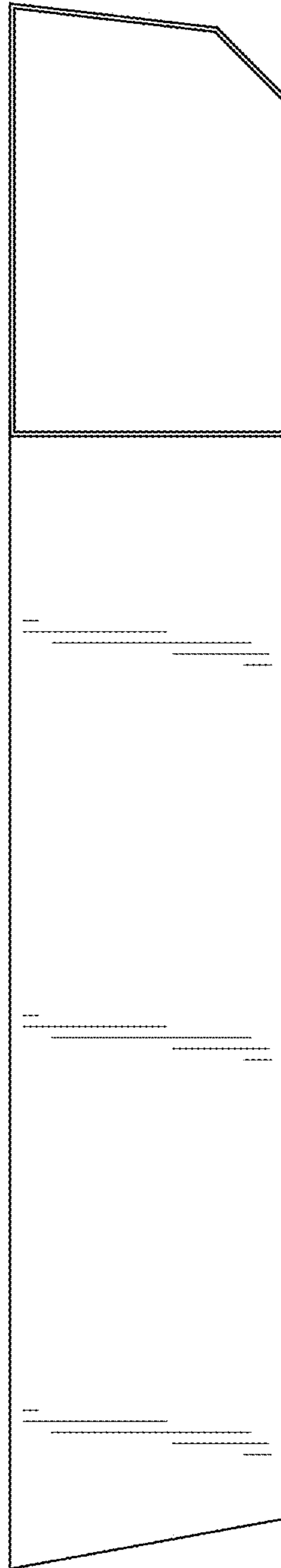


FIG. 13

