



US00D909888S

(12) **United States Design Patent** (10) **Patent No.:** **US D909,888 S**
Huang et al. (45) **Date of Patent:** **** Feb. 9, 2021**

(54) **COMBINED CONTAINER AND CONSUMER PRODUCT**

(71) Applicant: **The Procter & Gamble Company**, Cincinnati, OH (US)

(72) Inventors: **Sun-Jan Alan Huang**, Cincinnati, OH (US); **Mark Robert Sivik**, Mason, OH (US); **Frank William Denome**, Hamilton, OH (US); **Christopher Lee Haun**, Amelia, OH (US)

(73) Assignee: **The Procter & Gamble Company**, Cincinnati, OH (US)

(**) Term: **15 Years**

(21) Appl. No.: **29/714,417**

(22) Filed: **Nov. 22, 2019**

Related U.S. Application Data

(62) Division of application No. 29/626,129, filed on Nov. 15, 2017, now Pat. No. Des. 871,209.

(51) **LOC (13) Cl.** **09-03**

(52) **U.S. Cl.**
USPC **D9/721; D9/431; D9/420**

(58) **Field of Classification Search**
USPC D9/414-423, 430-433, 434, 456, 457, D9/711, 713, 721-722, 737, 756, 758, D9/759, 760
CPC ... B65D 5/00; B65D 5/02; B65D 5/18; B65D 5/20
See application file for complete search history.

(56) **References Cited**

U.S. PATENT DOCUMENTS

D320,556 S 10/1991 Fairhurst
D437,554 S 2/2001 Milton
D509,729 S * 9/2005 Proudfit D9/415

D573,458 S 7/2008 Anderson
D663,198 S 7/2012 White
D675,514 S 2/2013 Baker
D693,215 S 11/2013 Sill
D753,484 S * 4/2016 Lyulyev D9/432
D783,395 S 4/2017 Wang
D791,589 S 7/2017 Remash
D798,141 S * 9/2017 Miller D9/418

(Continued)

OTHER PUBLICATIONS

All Office Actions for U.S. Appl. No. 29/626,129.

(Continued)

Primary Examiner — Vy N Koenig

(74) *Attorney, Agent, or Firm* — Gary J. Foose

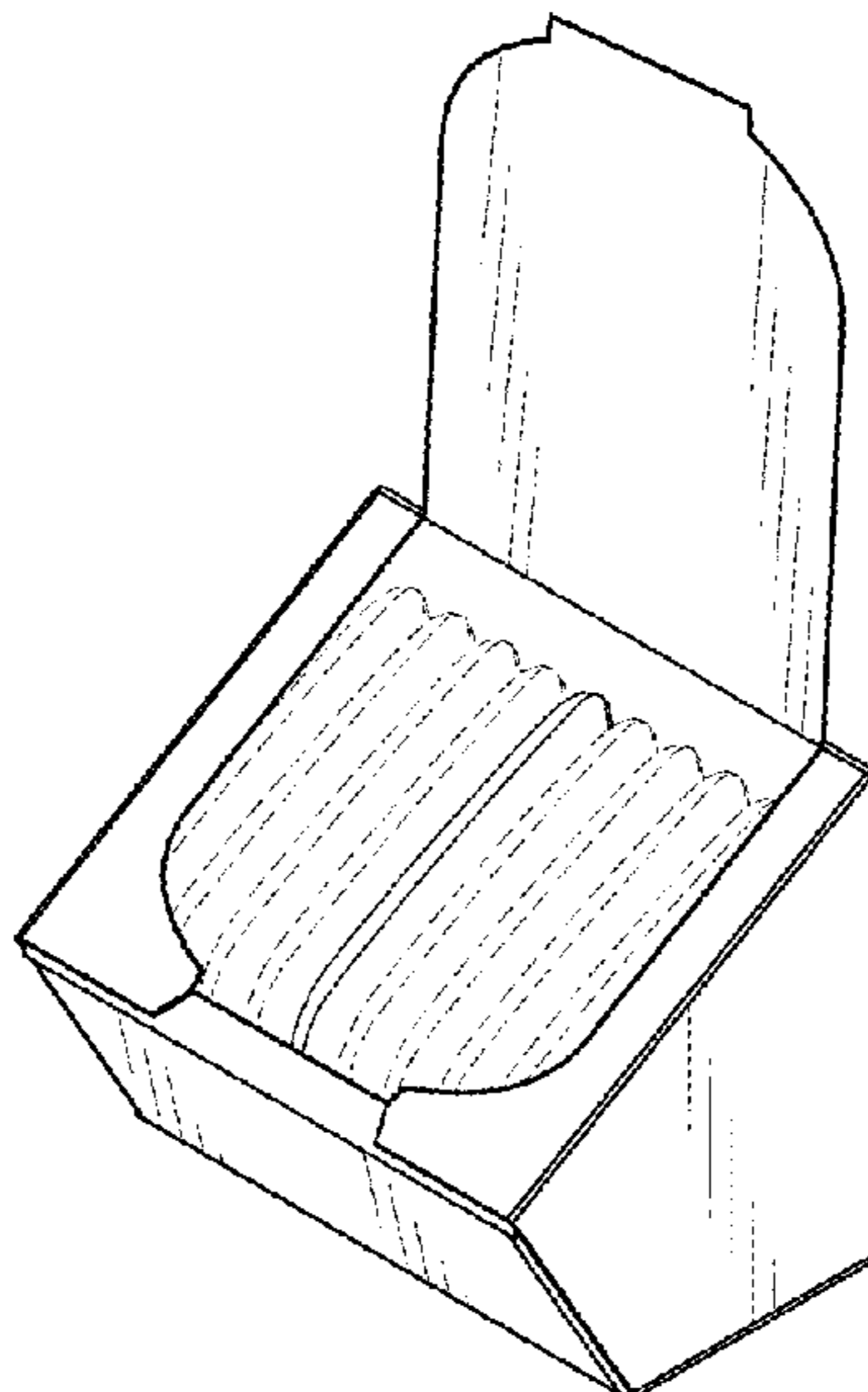
(57) **CLAIM**

The ornamental design for a combined container and consumer product, as shown and described.

DESCRIPTION

FIG. 1 is a top perspective view of a combined container and consumer product embodying our new design;
FIG. 2 is a front view of the combined container and consumer product of FIG. 1;
FIG. 3 is a left view of the combined container and consumer product of FIG. 1;
FIG. 4 is a back view of the combined container and consumer product of FIG. 1;
FIG. 5 is a right view of the combined container and consumer product of FIG. 1;
FIG. 6 is a top view of the combined container and consumer product of FIG. 1; and,
FIG. 7 is a bottom view of the combined container and consumer product of FIG. 1.
Any broken lines shown in the drawings depict environmental subject matter and form no part of the claimed design.

1 Claim, 1 Drawing Sheet



(56)

References Cited

U.S. PATENT DOCUMENTS

D821,195 S 6/2018 Kioroglou
D871,209 S * 12/2019 Huang D9/431
D873,129 S * 1/2020 Huang D9/420
2004/0232013 A1 * 11/2004 Renhed A61F 15/001
206/229
2007/0262086 A1 11/2007 Cook
2019/0051221 A1 * 2/2019 Ho B65D 5/00

OTHER PUBLICATIONS

Cardboard Ballot Boxes—<http://www.affordabledisplayproducts.com/Cardboard-Ballot-Boxes> downloaded Aug. 27, 2018, 6 pages.

* cited by examiner

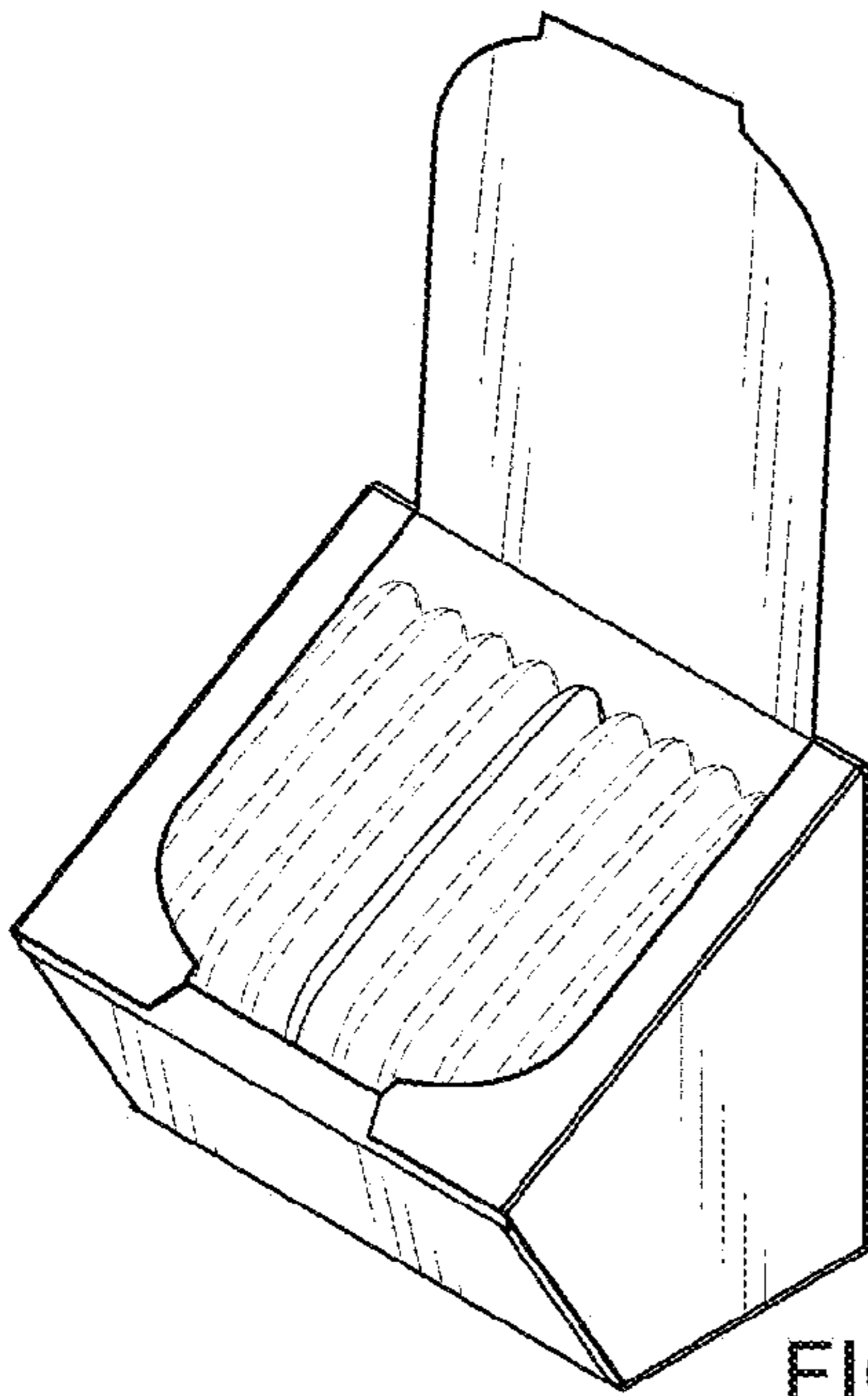


FIG. 1

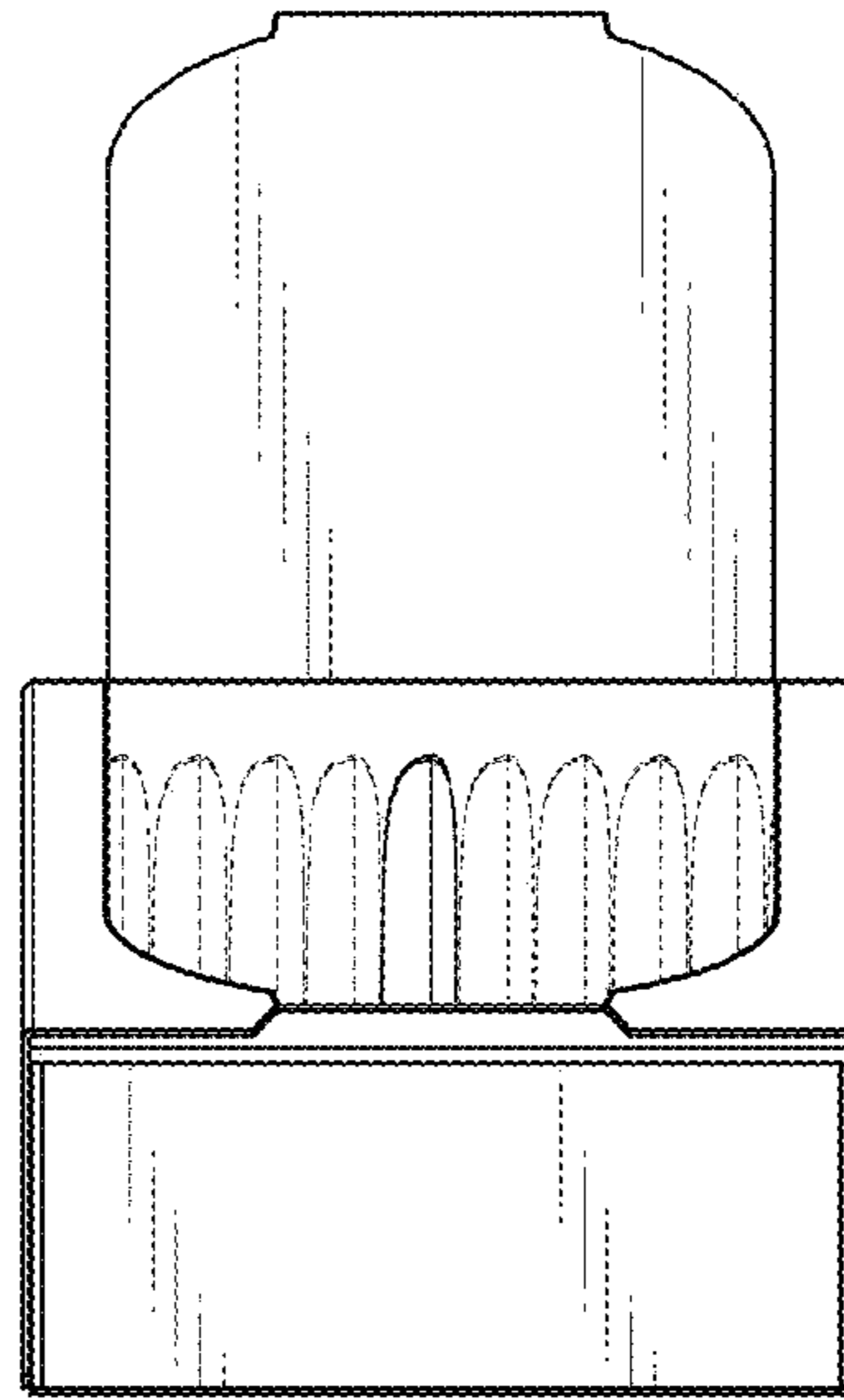


FIG. 2

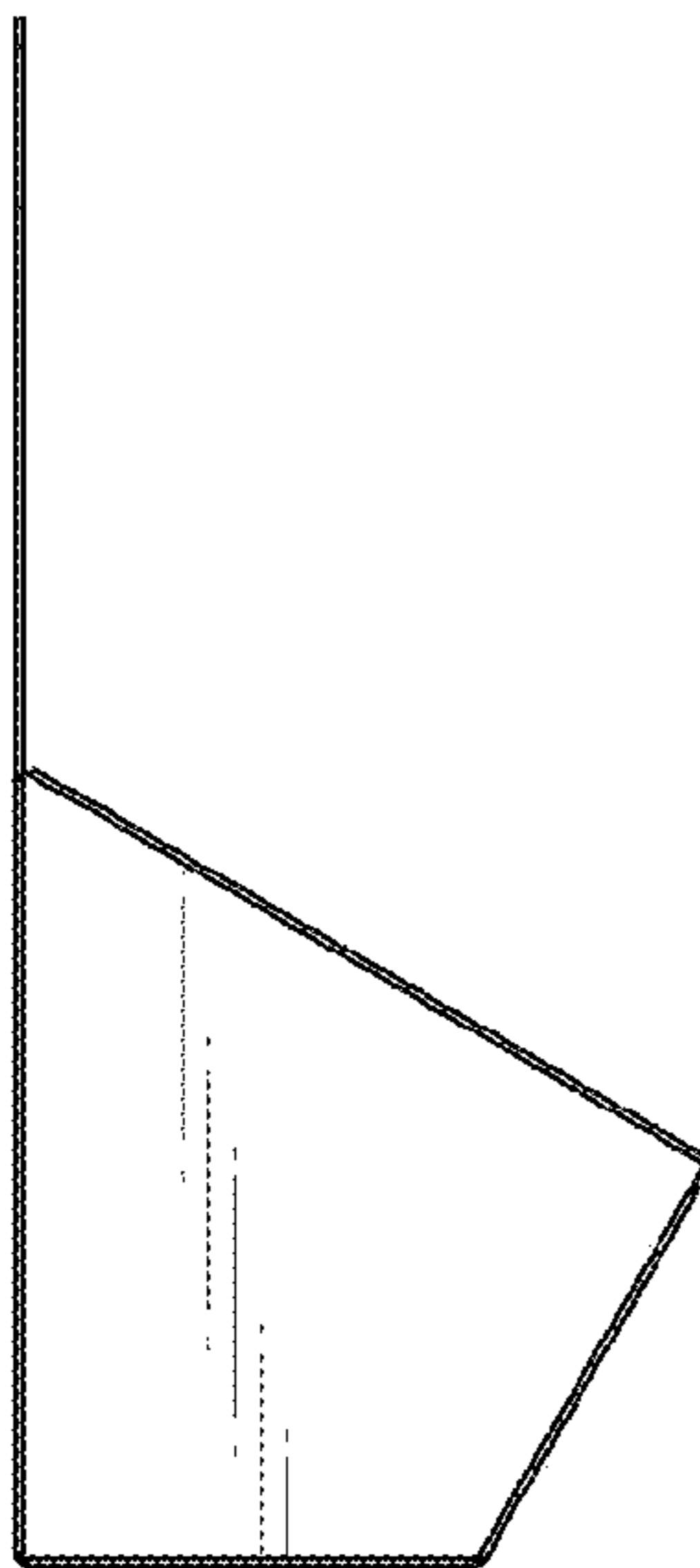


FIG. 3

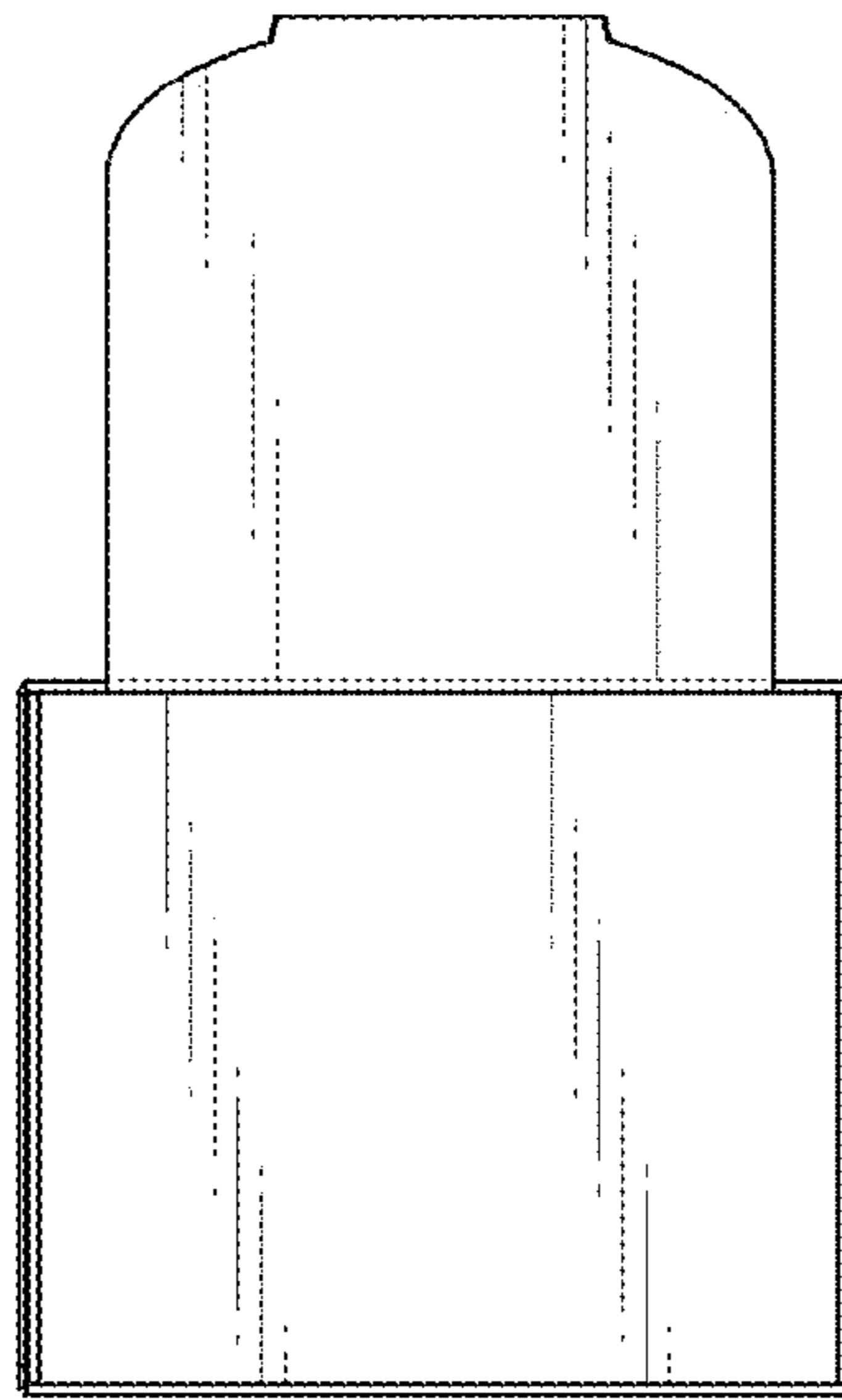


FIG. 4

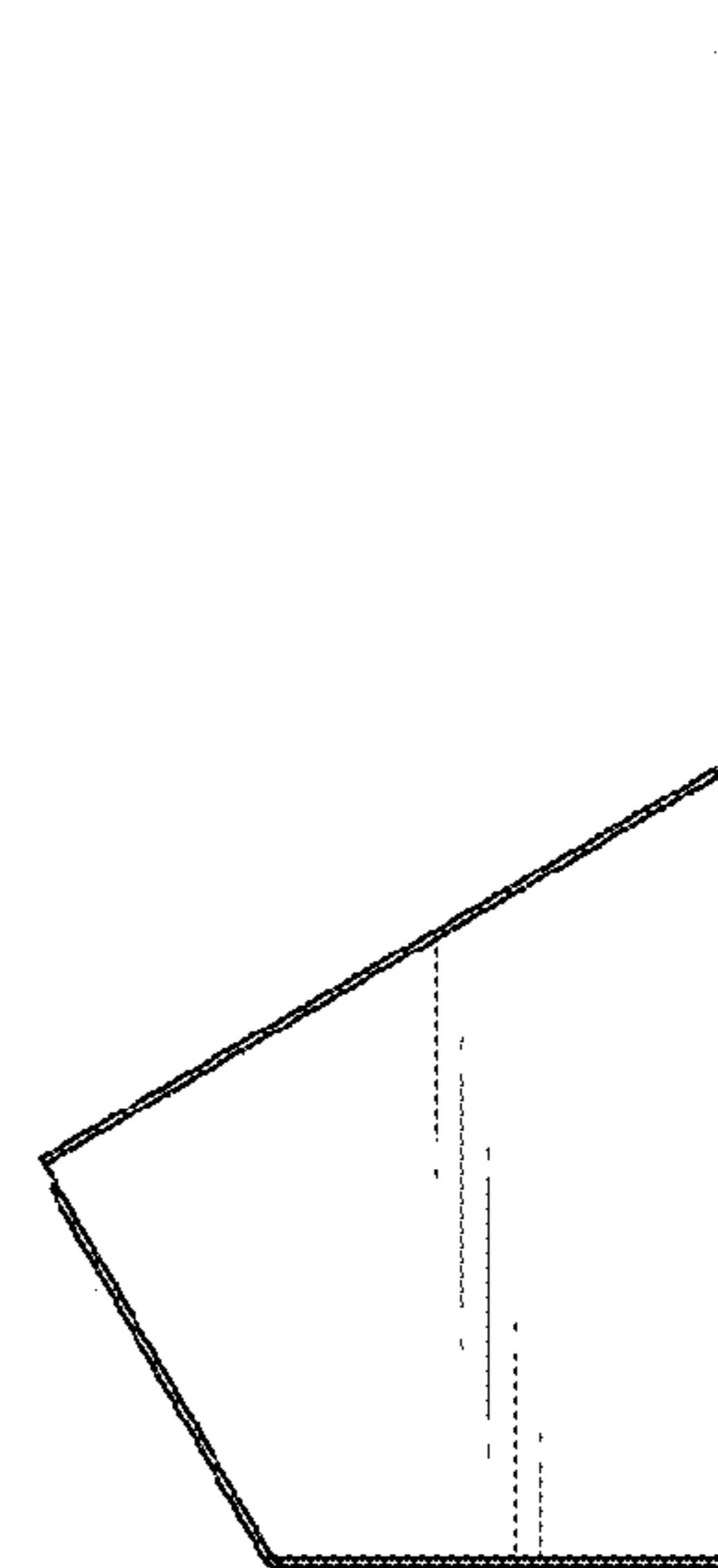


FIG. 5

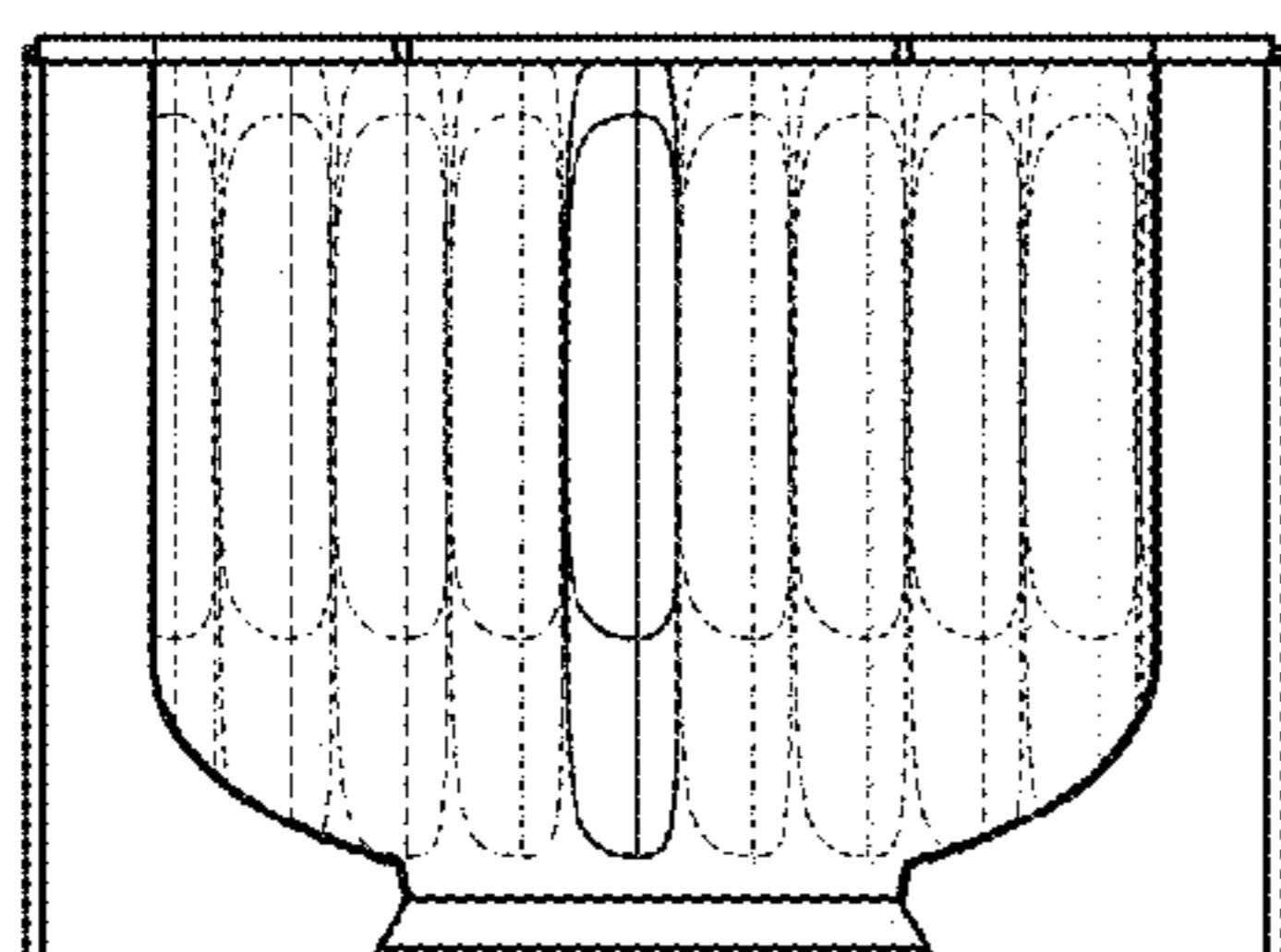


FIG. 6

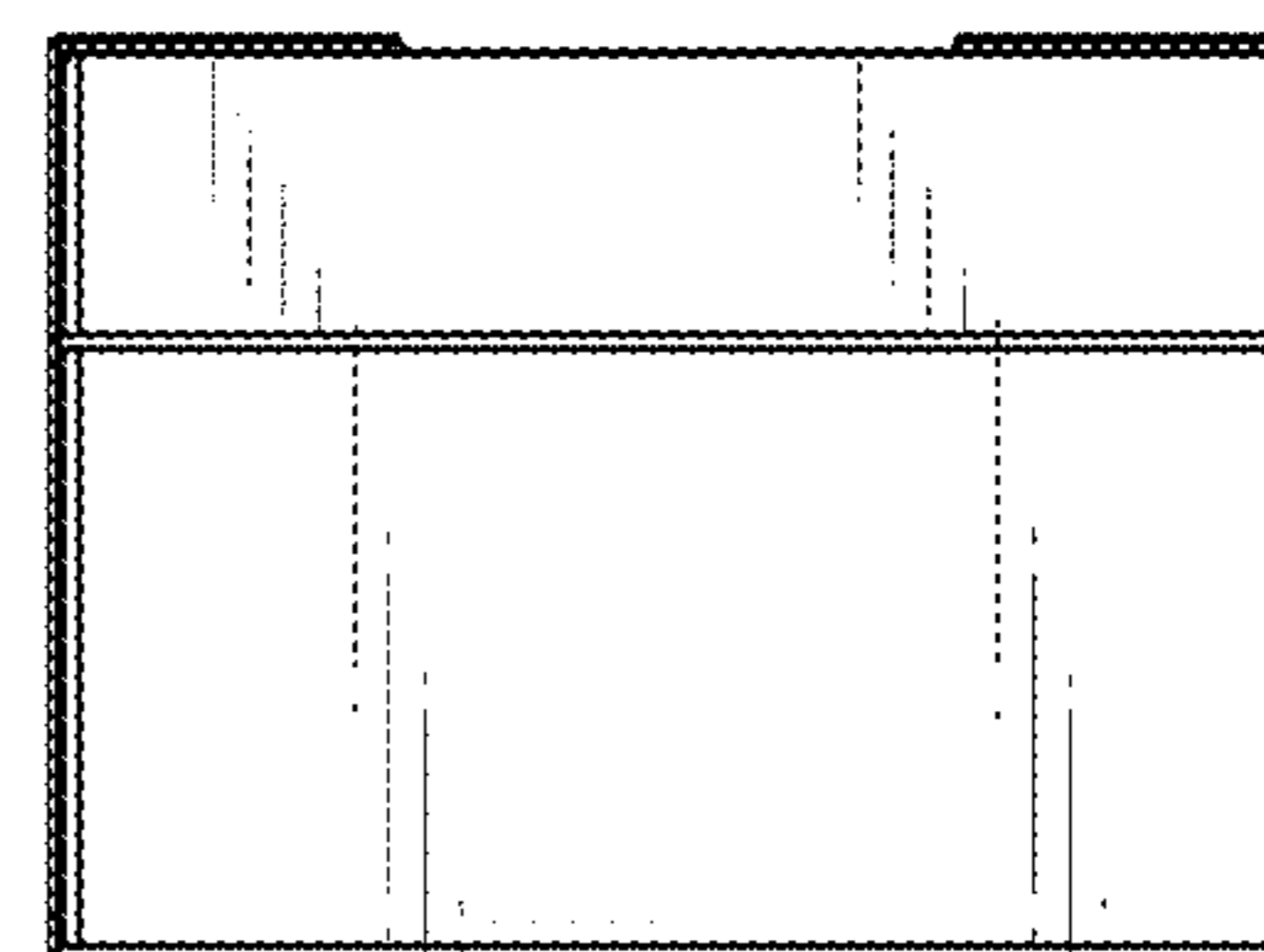


FIG. 7