

US00D909879S

(12) **United States Design Patent**
Mitha

(10) **Patent No.:** **US D909,879 S**

(45) **Date of Patent:** **** Feb. 9, 2021**

(54) **NAIL POLISH BOTTLE**

(71) Applicant: **J. Choo Limited**, London (GB)

(72) Inventor: **Alnoor Mitha**, Paris (FR)

(73) Assignee: **J. Choo Limited**, London (GB)

(**) Term: **15 Years**

(21) Appl. No.: **29/699,196**

(22) Filed: **Jul. 23, 2019**

(30) **Foreign Application Priority Data**

Feb. 18, 2019 (EM) 006260535-0004

(51) **LOC (13) Cl.** **09-01**

(52) **U.S. Cl.**
USPC **D9/566**

(58) **Field of Classification Search**

USPC D9/434-435, 444-445, 516, 544-546,
D9/549, 553, 555, 558-559, 566, 568,
D9/572-574, 682, 686-687, 694, 715,
D9/719; D28/91.1; D4/116

CPC B65D 1/00; B65D 1/02; B65D 1/0223;
B65D 23/00; B65D 51/32; B65D
2501/00; B65D 2501/0009; B65D
2501/0081

See application file for complete search history.

(56) **References Cited**

U.S. PATENT DOCUMENTS

D81,602 S * 7/1930 Teague D9/546
D277,455 S * 2/1985 Tordjman D9/439
D289,142 S * 4/1987 Bijaoui D9/439
D369,558 S * 5/1996 Heinz D9/546
D382,486 S * 8/1997 Heinz D9/439
8,430,258 B2 * 4/2013 Yamamoto B65D 23/02
220/62.22
8,517,197 B2 * 8/2013 Yamamoto B65D 23/0821
220/62.22

D698,259 S * 1/2014 Ngjelo D9/651
D711,236 S * 8/2014 Friesen D9/519
D737,689 S * 9/2015 Monteparo D9/651

(Continued)

Primary Examiner — Dana Meyrow

(74) *Attorney, Agent, or Firm* — Fross Zelnick Lehrman
& Zissu, P.C.; Lawrence E. Apolzon, Esq.

(57) **CLAIM**

The ornamental design for a nail polish bottle, as shown and described.

DESCRIPTION

FIG. 1 is a front perspective view of a transparent nail polish bottle showing my new design with the interior of the bottle in broken lines;

FIG. 2 is a front view thereof;

FIG. 3 is a back view thereof;

FIG. 4 is a left side view thereof;

FIG. 5 is a right side view thereof;

FIG. 6 is a top view thereof;

FIG. 7 is a bottom view thereof;

FIG. 8 is a front perspective view of the transparent nail polish bottle shown in FIG. 1 with the interior and the top in broken lines;

FIG. 9 is a front perspective view of an alternative embodiment of the nail polish bottle shown in FIG. 1;

FIG. 10 is a front view thereof;

FIG. 11 is a back view thereof;

FIG. 12 is a left side view thereof;

FIG. 13 is a right side view thereof;

FIG. 14 is a top view thereof;

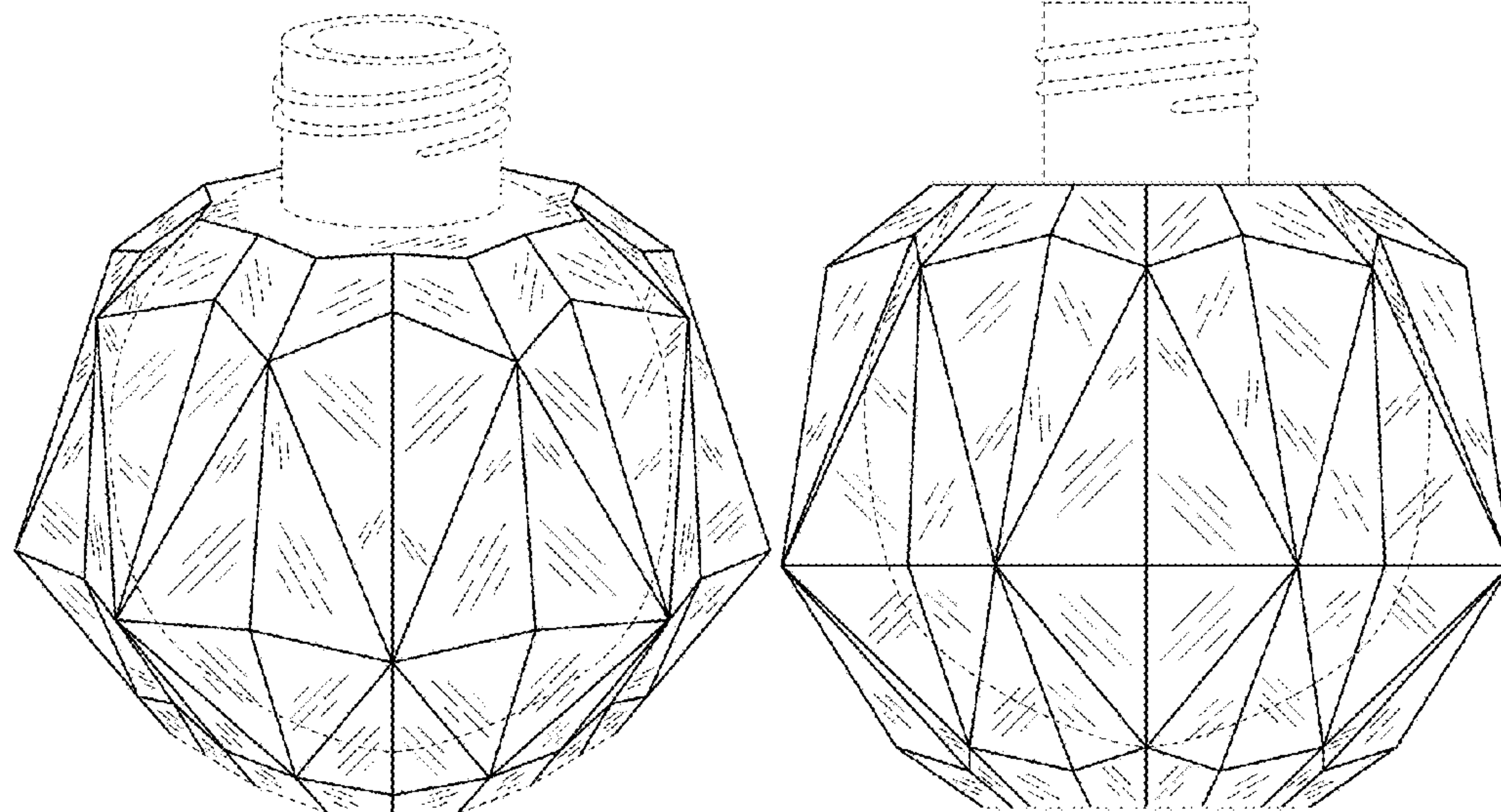
FIG. 15 is a bottom view thereof; and,

FIG. 16 is a front perspective view of the nail polish bottle shown in FIG. 9 with the top shown in broken lines.

The broken line showing of portions in the drawings depicts unclaimed subject matter.

The nail polish bottle of FIGS. 1-8 is transparent. The details of the outer surface of the opposing side have been omitted for ease of understanding.

1 Claim, 10 Drawing Sheets



(56)

References Cited

U.S. PATENT DOCUMENTS

D744,350 S	*	12/2015	Nagata	D9/651
D779,737 S	*	2/2017	Salmon	D28/85
D780,590 S	*	3/2017	Komai	D9/566
D789,747 S	*	6/2017	Hume	D7/530

* cited by examiner

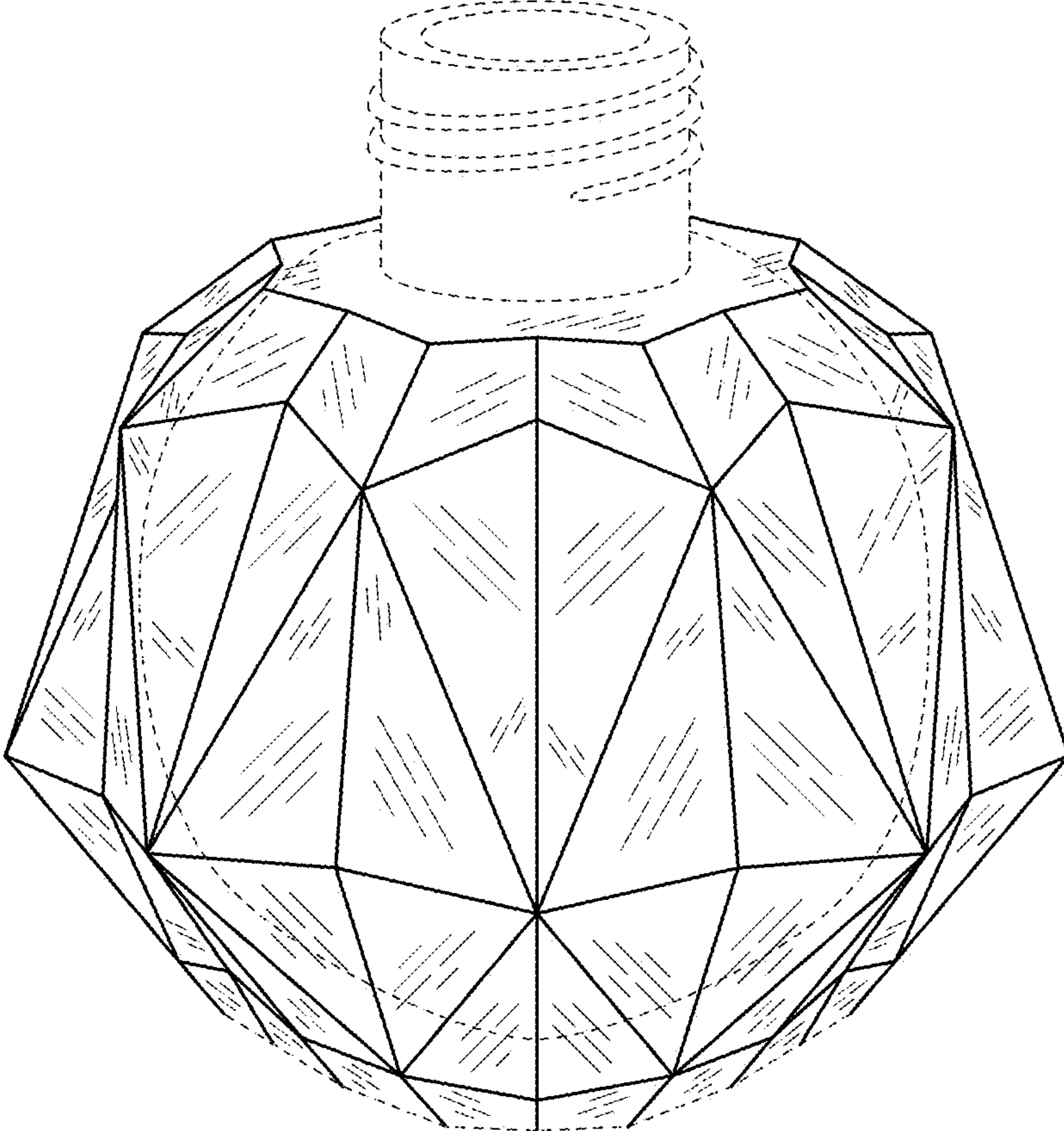


FIG. 1

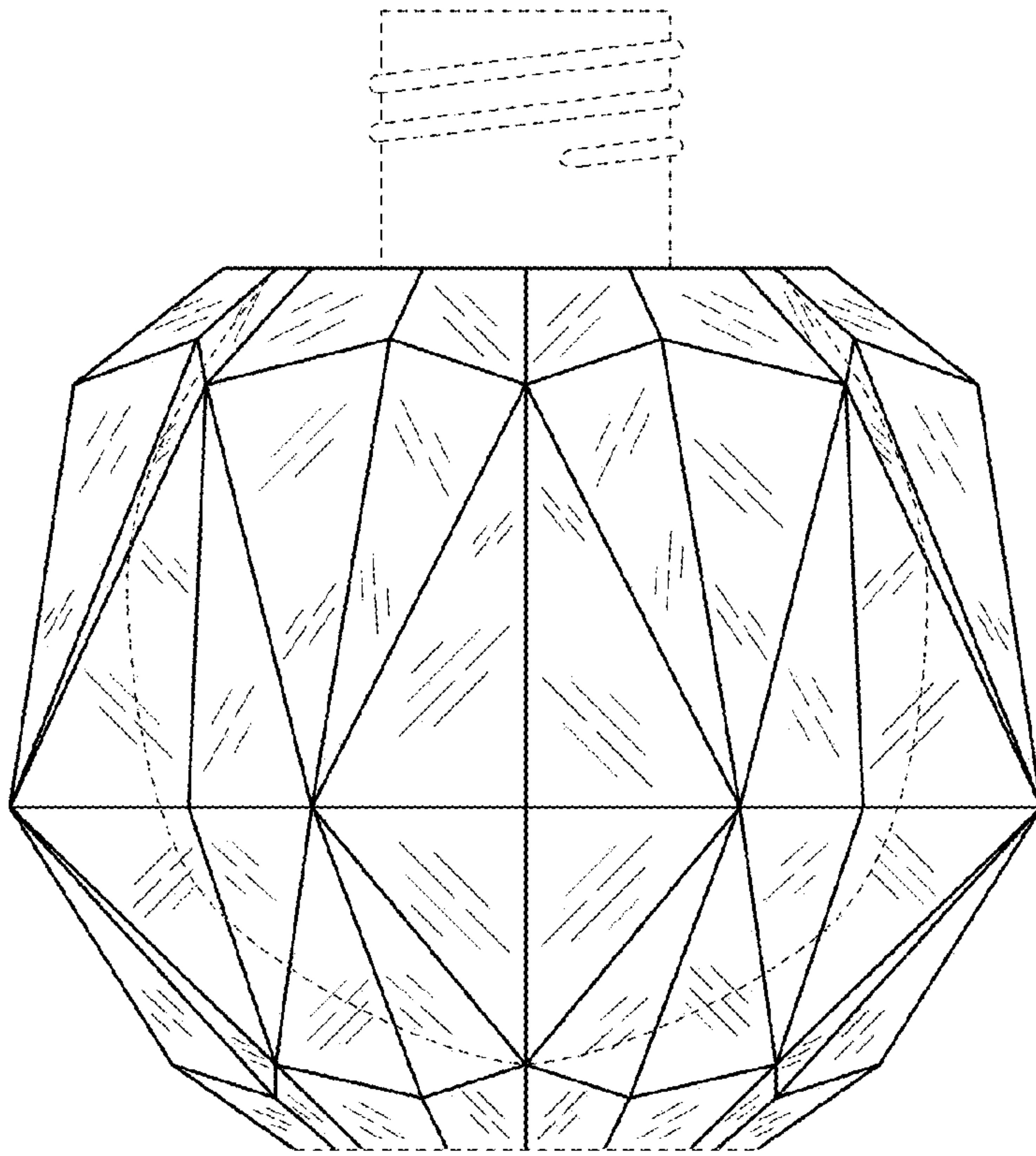


FIG. 2

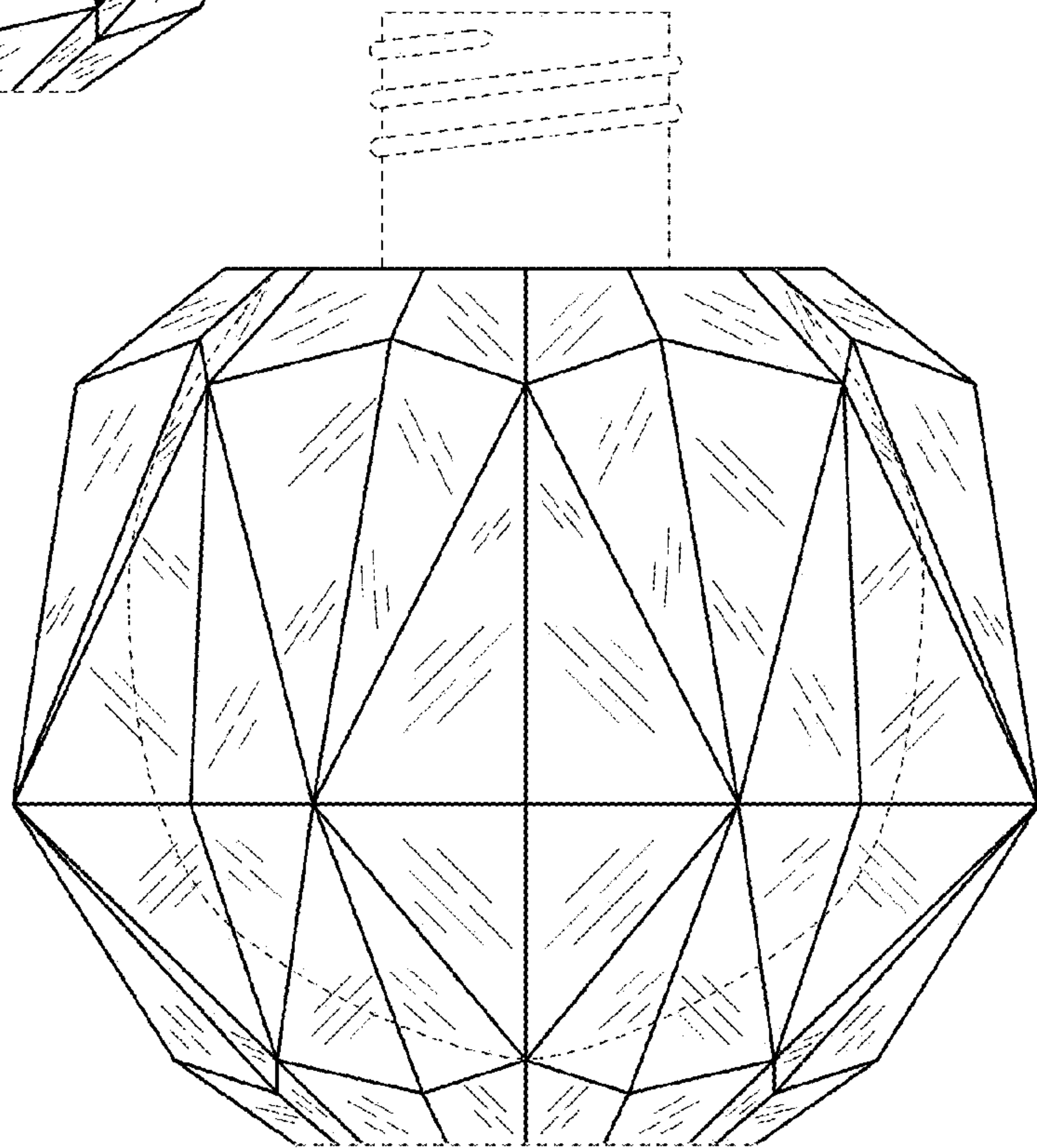


FIG. 3

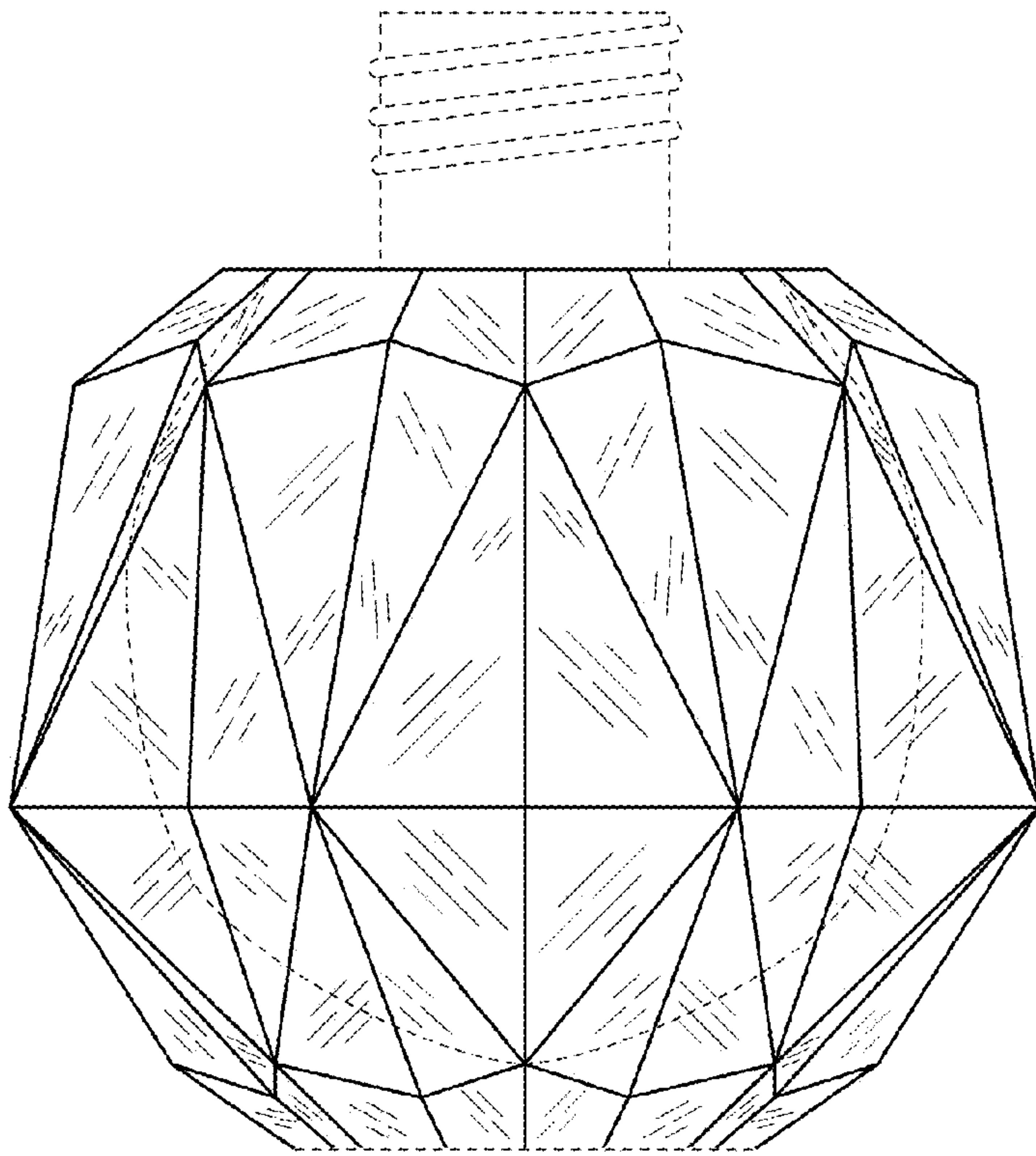


FIG. 4

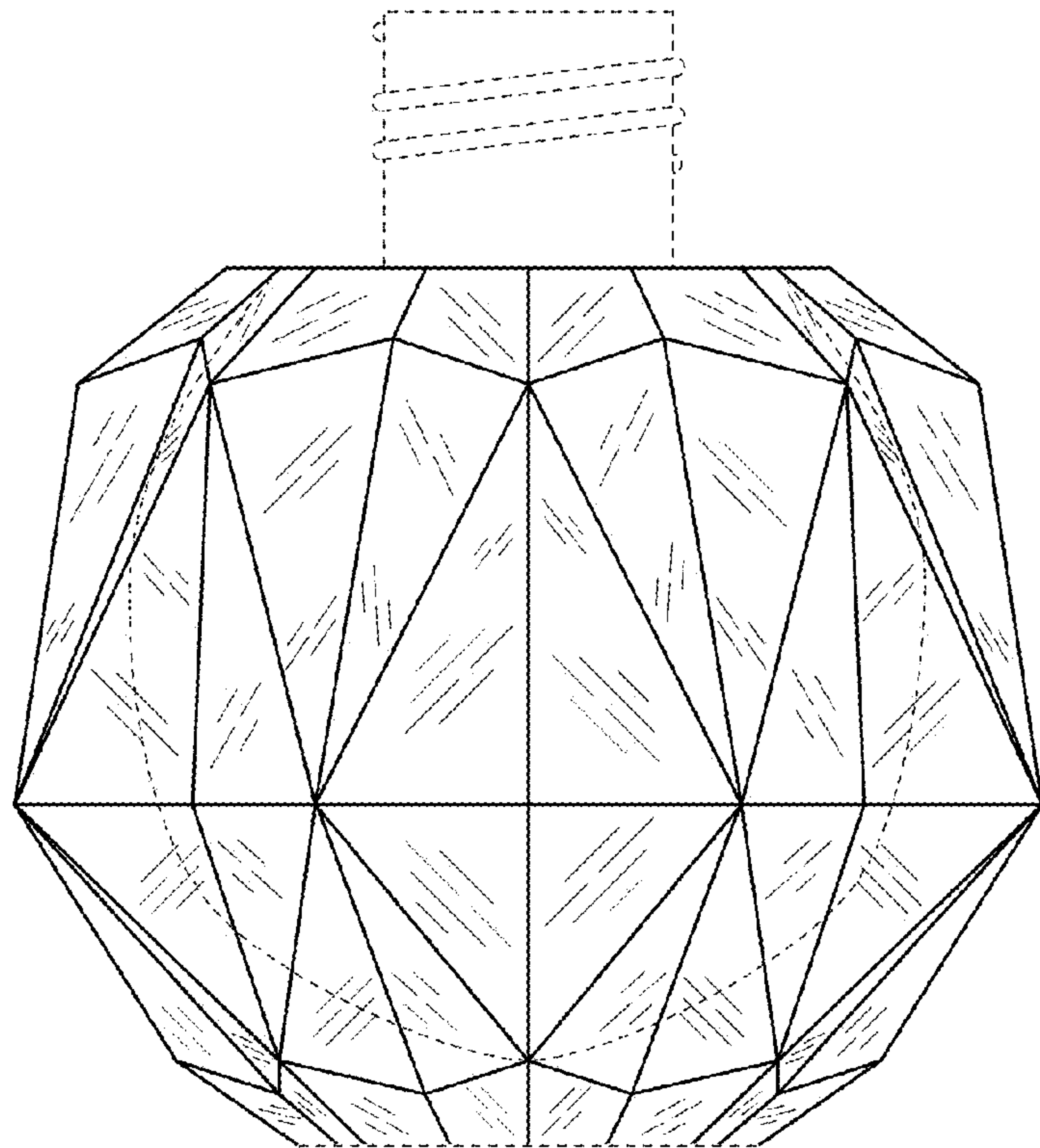


FIG. 5

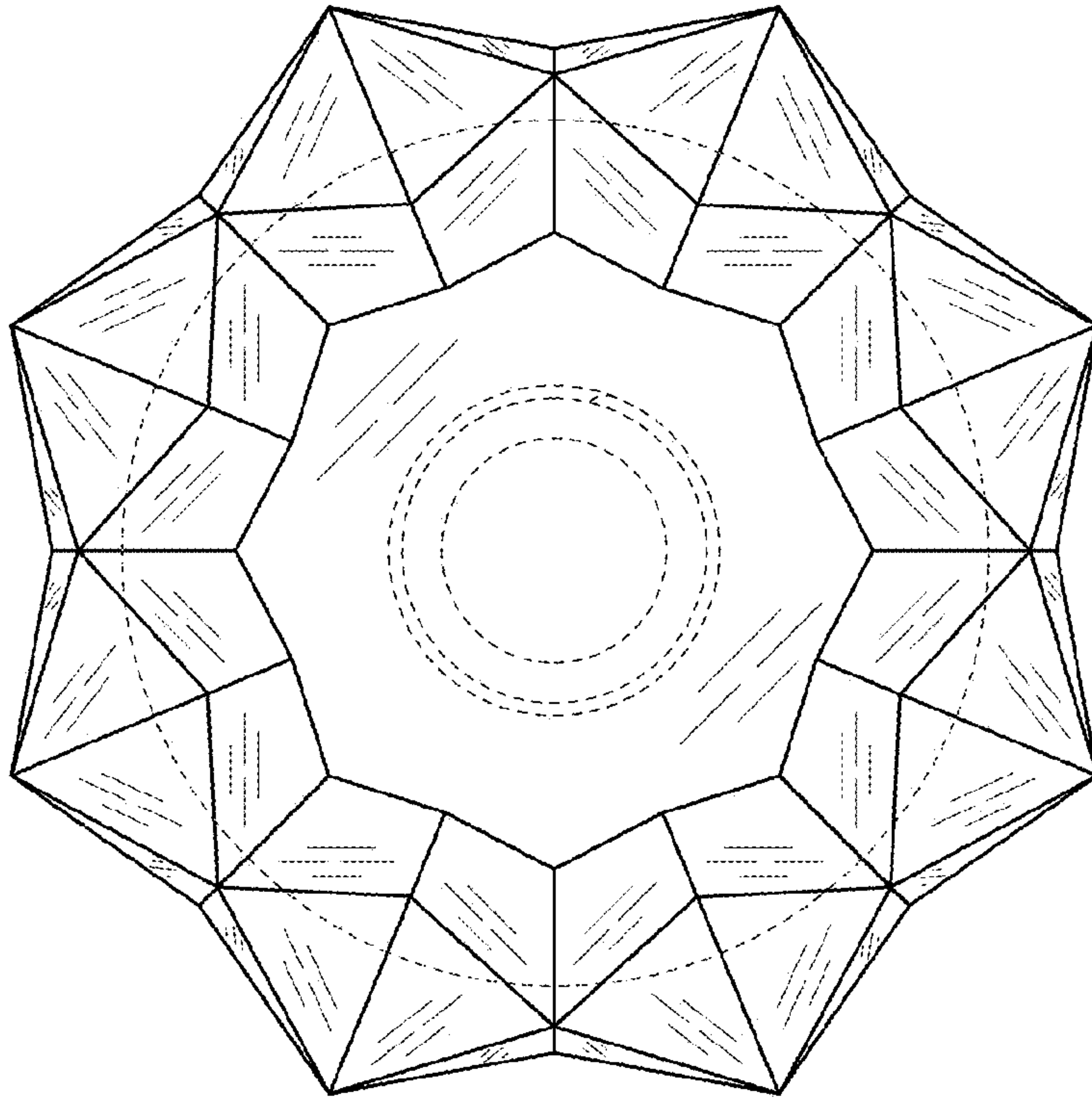


FIG. 6

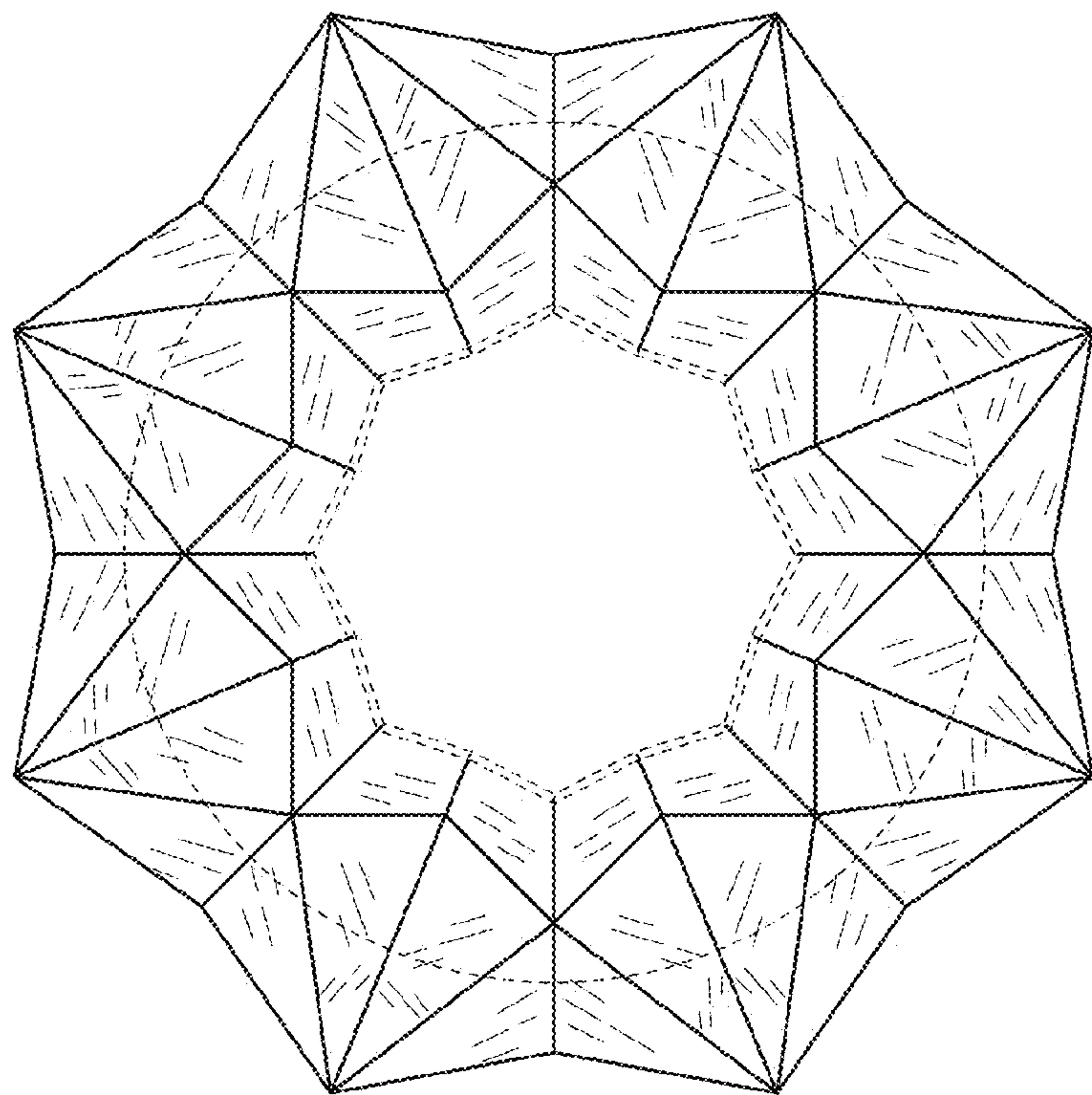


FIG. 7

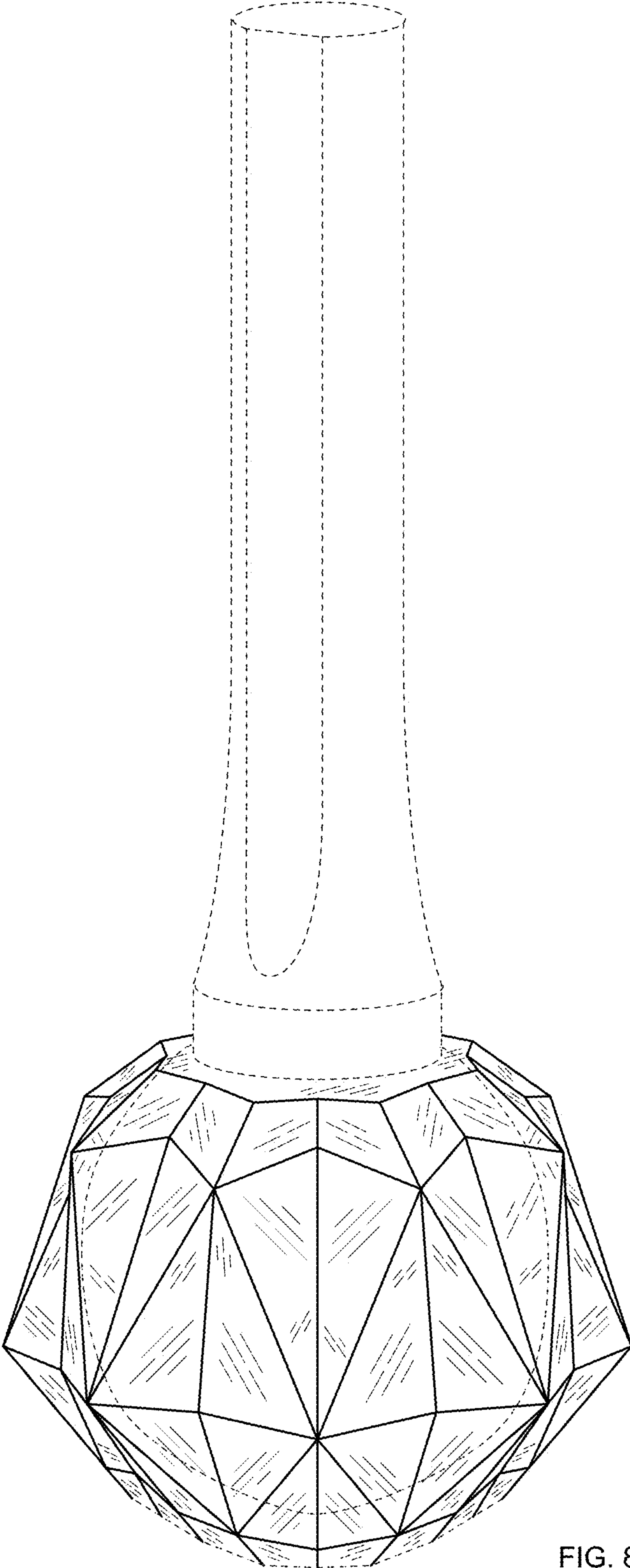


FIG. 8

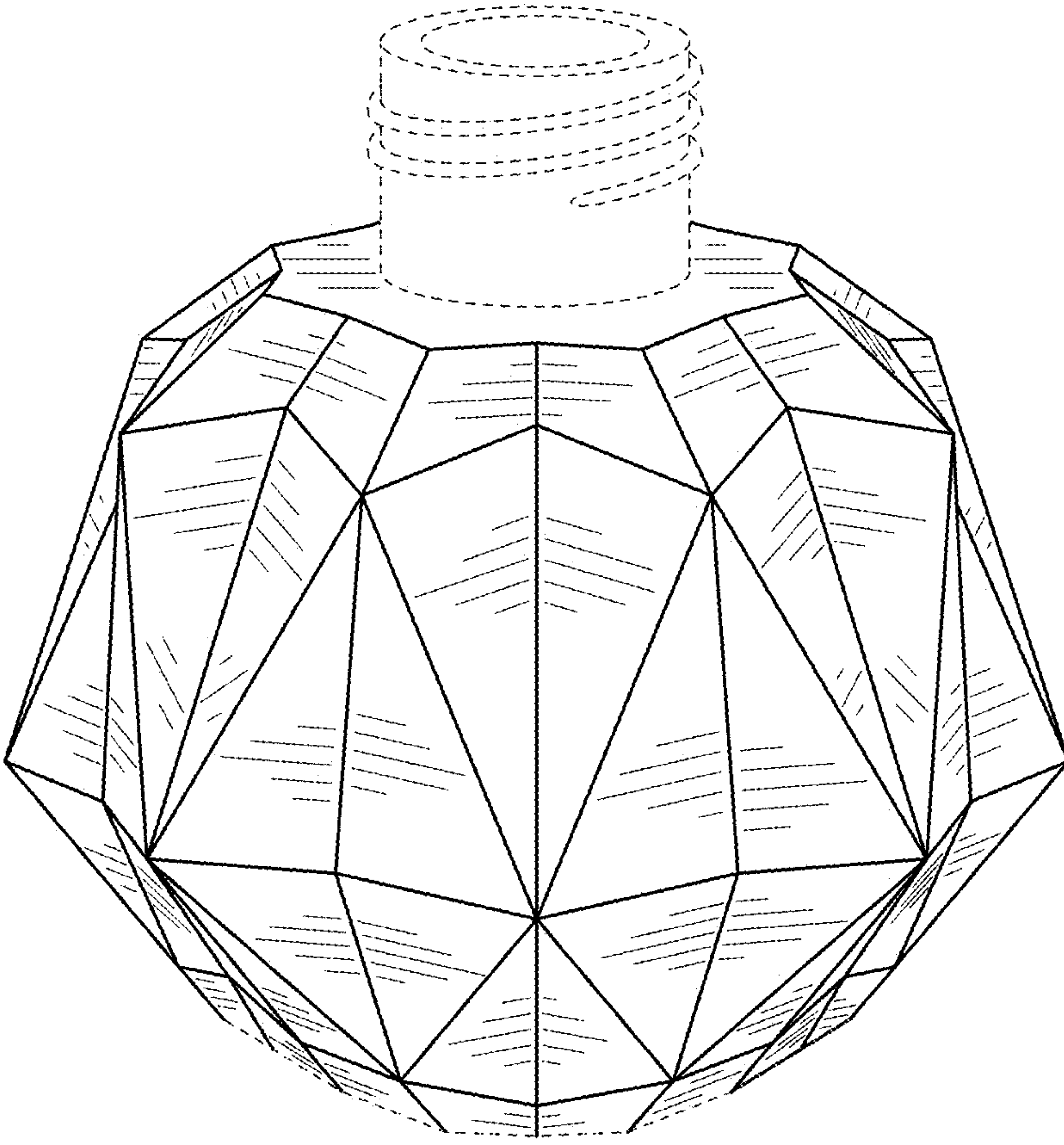


FIG. 9

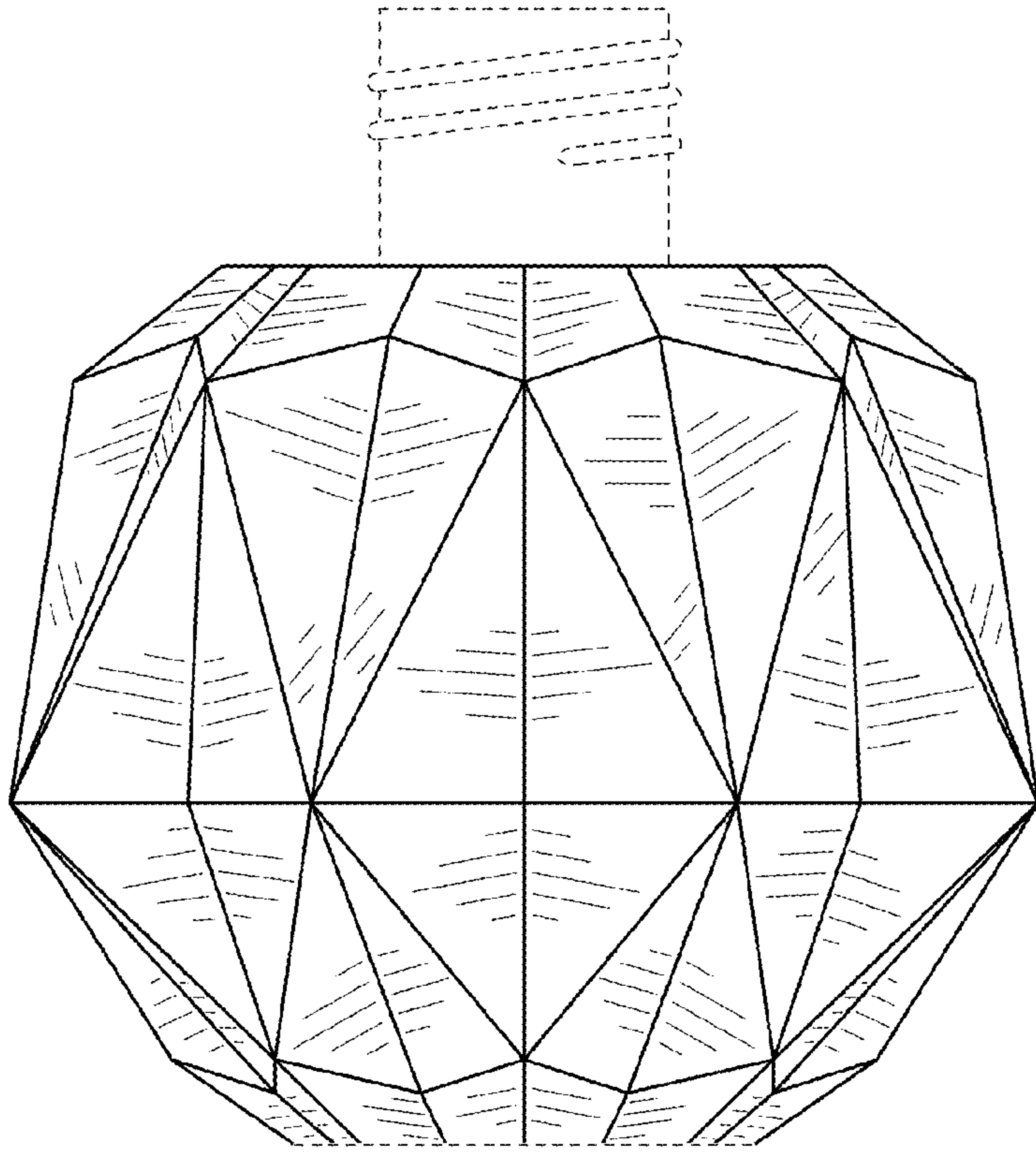


FIG. 10

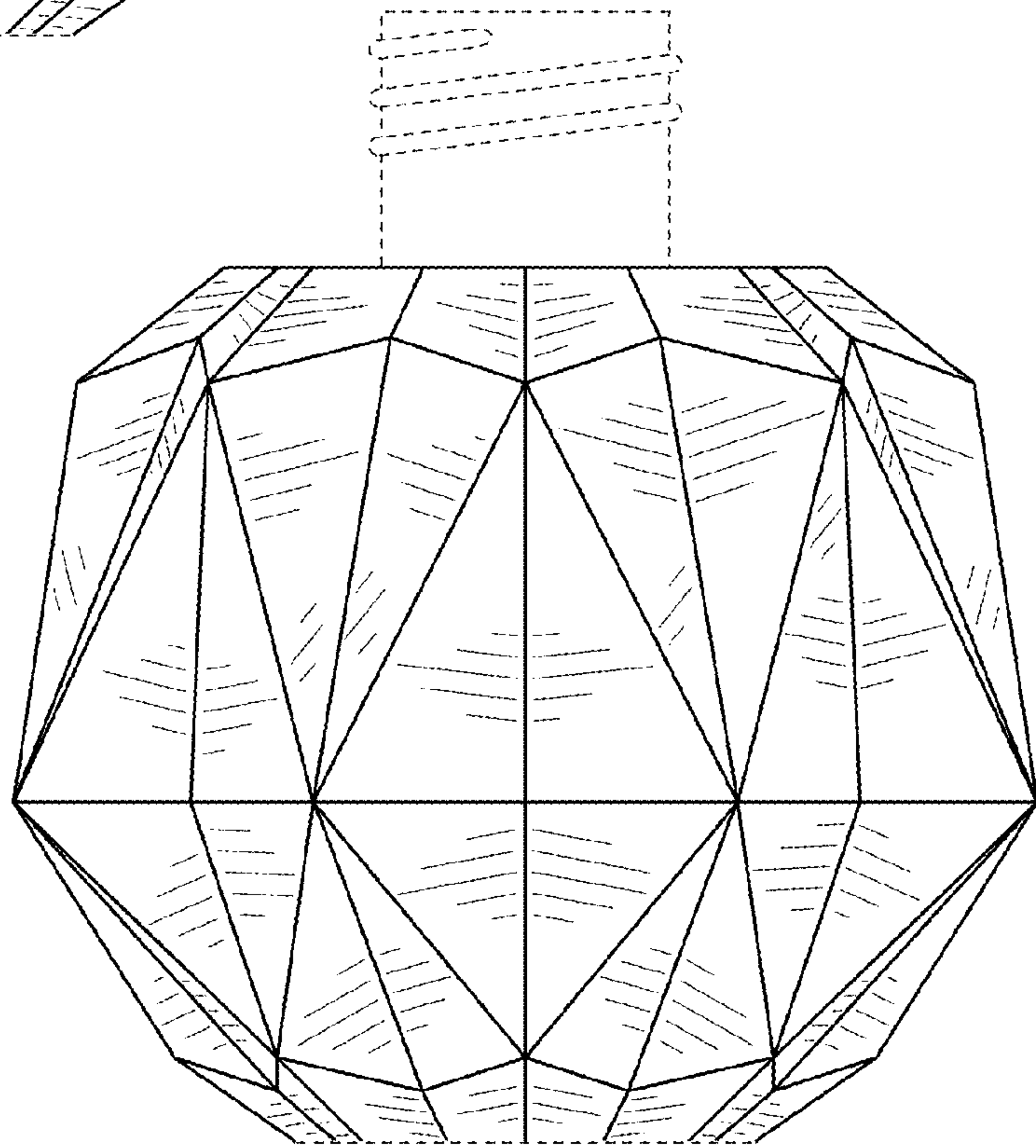


FIG. 11

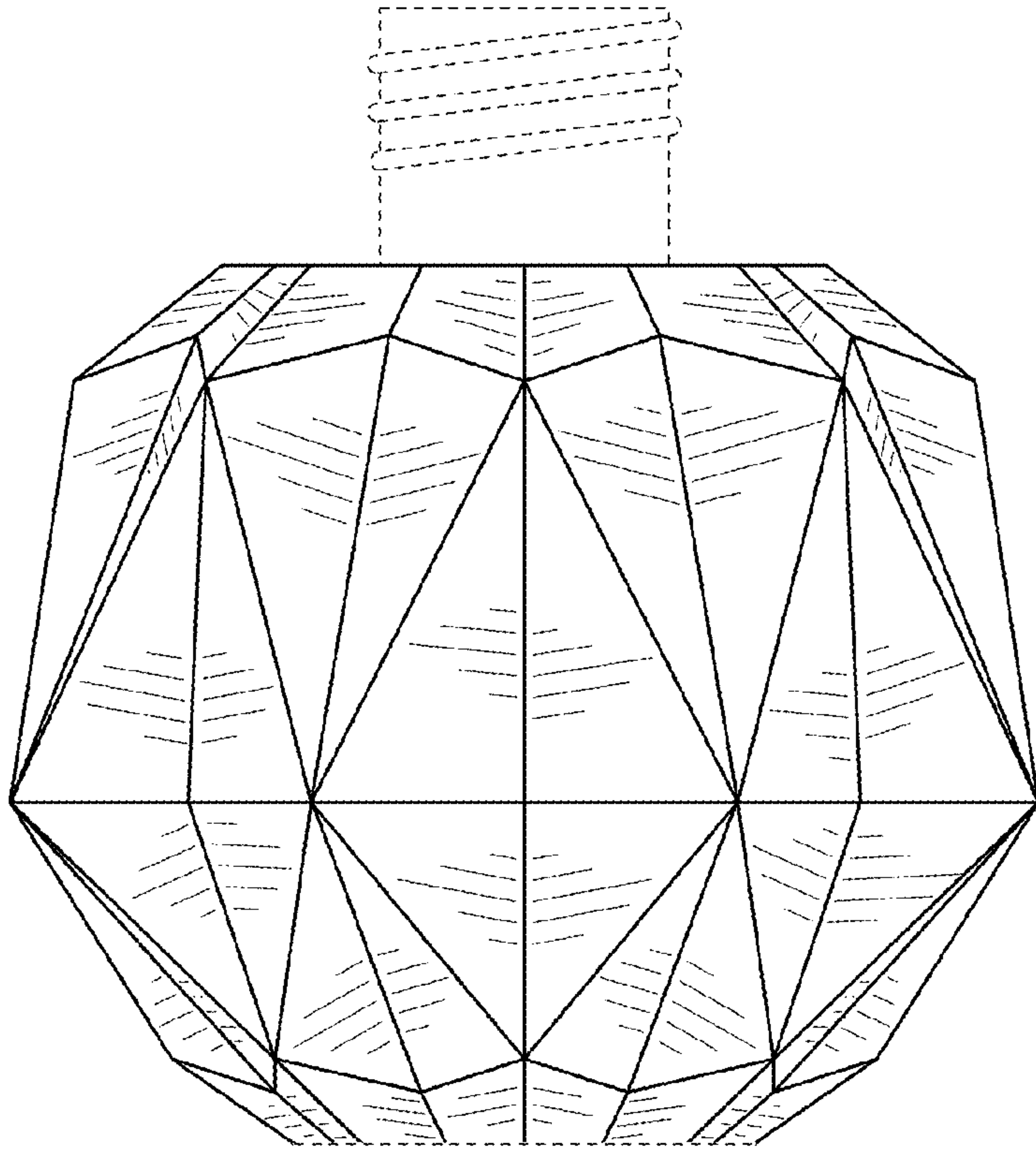


FIG. 12

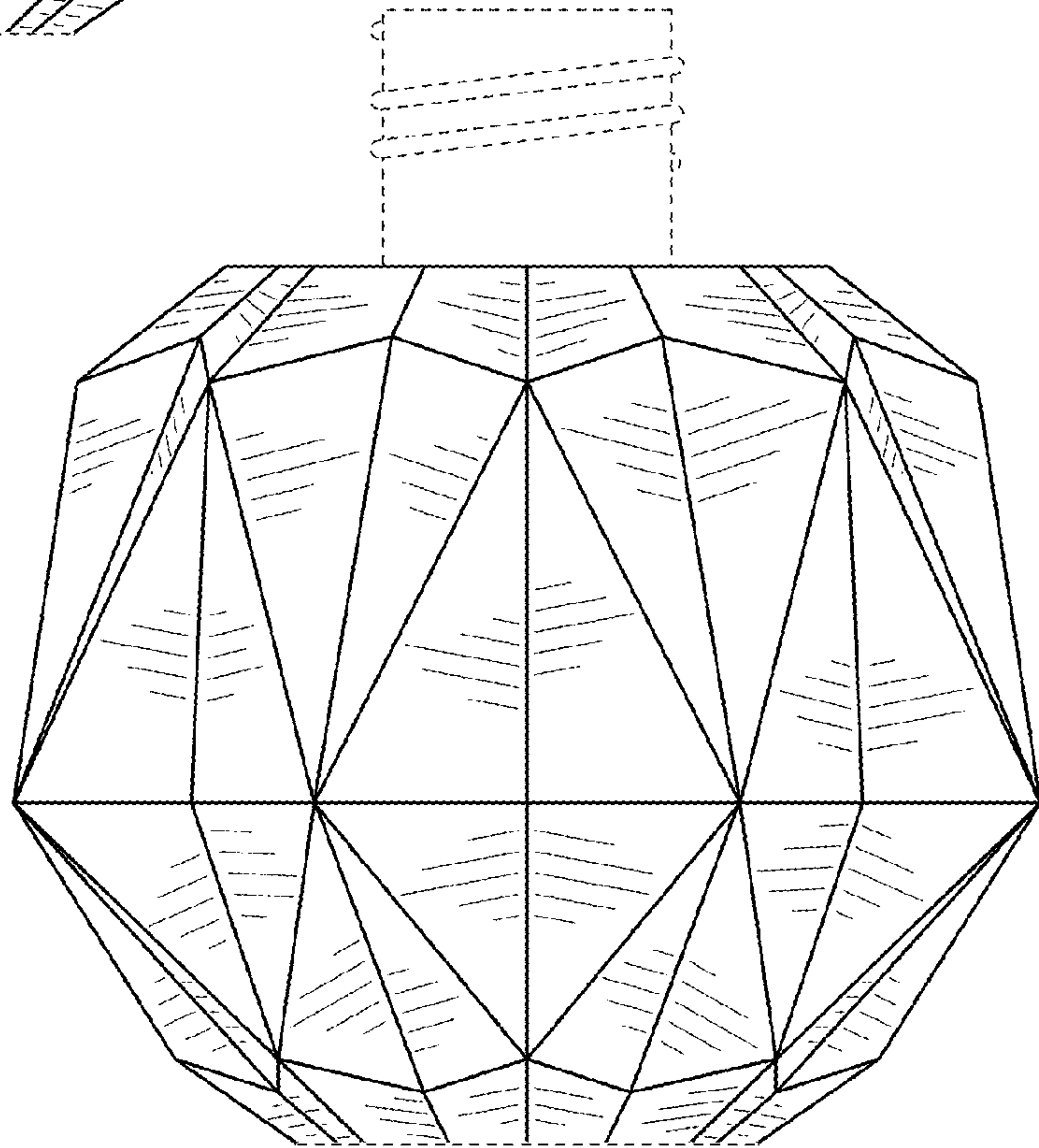


FIG. 13

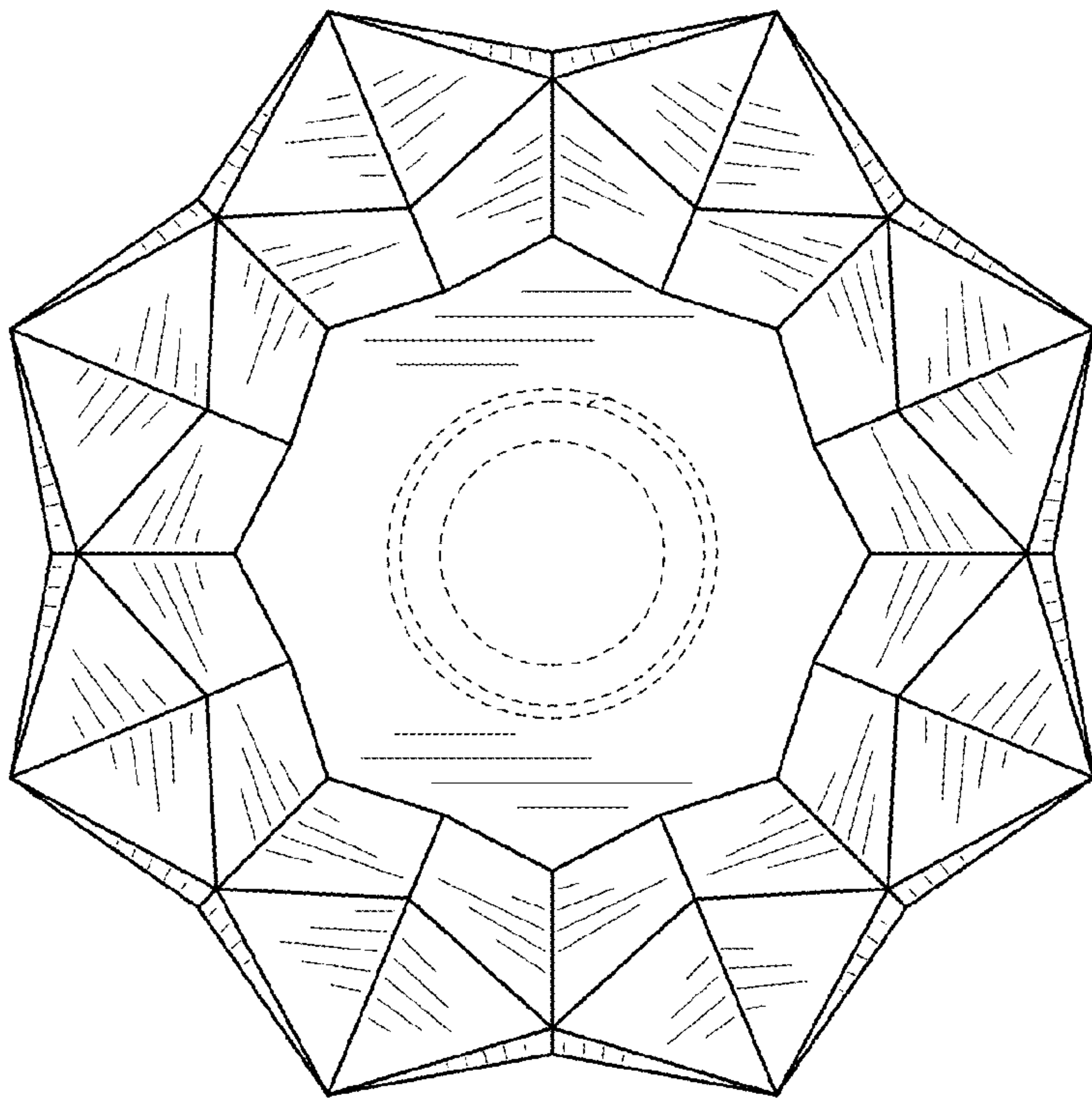


FIG. 14

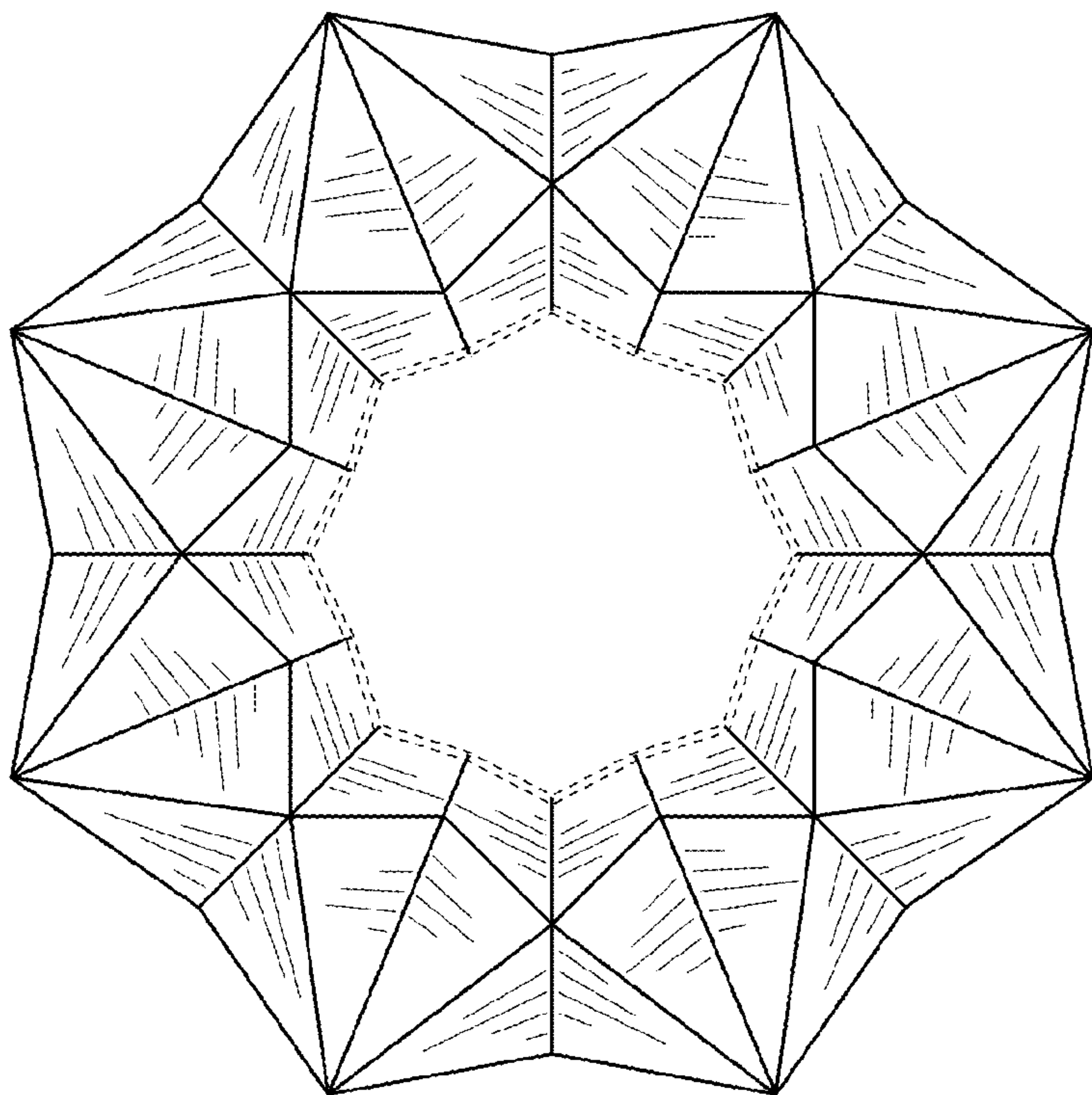


FIG. 15

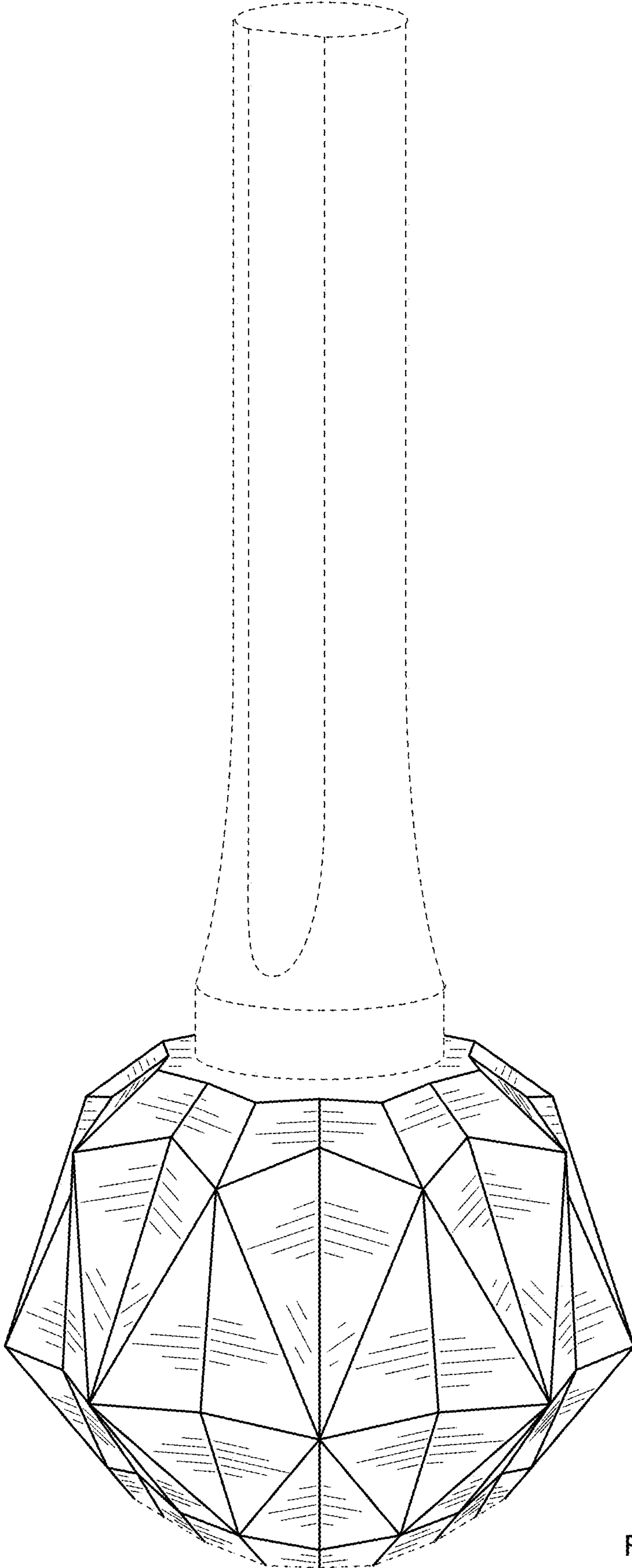


FIG. 16