

US00D909877S

(12) **United States Design Patent**
Hwang

(10) **Patent No.:** **US D909,877 S**

(45) **Date of Patent:** **** Feb. 9, 2021**

- (54) **CHILD-RESISTANT CONTAINER**
- (71) Applicant: **Kush Bottles, Inc.**, Garden Grove, CA (US)
- (72) Inventor: **Steven Hwang**, Garden Grove, CA (US)
- (73) Assignee: **KushCo Holdings, Inc.**, Cypress, CA (US)

- D582,291 S * 12/2008 de Baschmakoff D9/560
- D595,578 S * 7/2009 Del Tedesco Zamberlan D9/504
- D645,749 S * 9/2011 Lee D9/504
- D651,519 S * 1/2012 Gibson D9/529
- D702,555 S * 4/2014 Park D9/504

(Continued)

(**) Term: **15 Years**

FOREIGN PATENT DOCUMENTS

- CN 300815119 * 8/2008
- CN 303602983 * 3/2016

- (21) Appl. No.: **29/679,773**
- (22) Filed: **Feb. 8, 2019**
- (51) **LOC (13) Cl.** **09-01**
- (52) **U.S. Cl.**
USPC **D9/549; D9/504**
- (58) **Field of Classification Search**
USPC D9/454, 501, 504, 519, 521, 523, 529, D9/542, 549, 550, 551, 558, 564, 574, D9/575, 522; D7/300.1, 665, 679; D6/515, 542; D3/202, 203.1, 203.2, 302; D19/93, 86; D28/4, 8, 76, 91, 78, 79, 82; D1/102, 105; D26/7; D27/177, 178, D27/183, 185, 189
CPC A45D 40/0068; A45D 40/00; A45D 2040/0012; A45D 40/12; A45D 40/16; B65D 1/0223; B65D 2501/0081; B65D 79/005; B29C 66/71; A61J 1/03; Y10S 220/34; Y10S 206/80
See application file for complete search history.

OTHER PUBLICATIONS

7-Milliliter Glass Jars with Lids (90-pack) includes circle labels by Infinite Containers, available Dec. 24, 2019, [online], [site visited Jun. 15, 2020]. Available from internet, URL: https://www.amazon.com/dp/B079Q9NNJL/ref=dp_cerb_3#customerReviews(Year: 2019).*

Primary Examiner — W. A. Teddy Falloway
Assistant Examiner — Rani J Abdallah
(74) *Attorney, Agent, or Firm* — Ryan S. Dean; Umberg Zipser LLP

(57) **CLAIM**

I claim the ornamental design for a child-resistant container, as shown and described.

DESCRIPTION

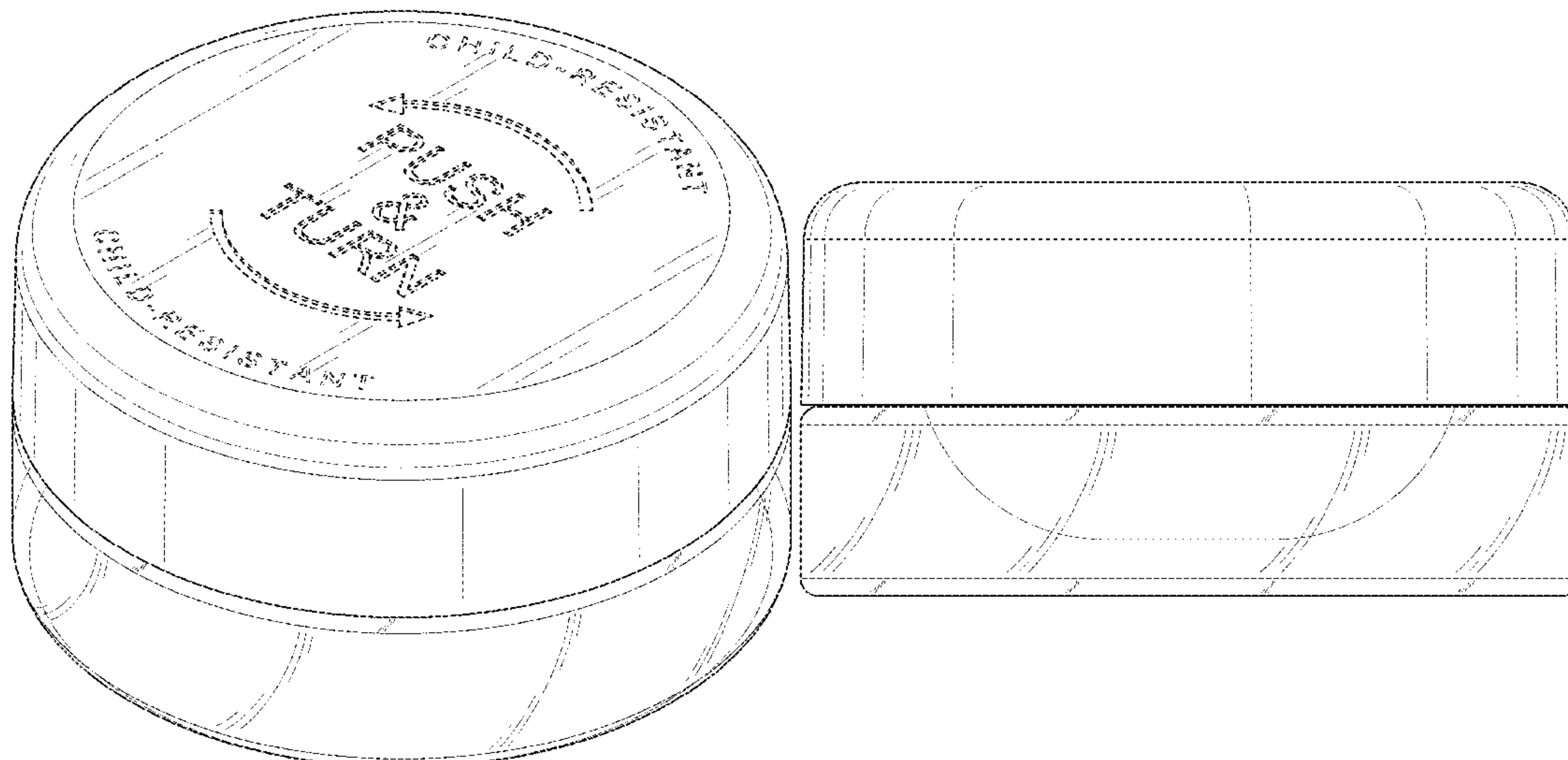
FIG. 1 is a perspective view of the container. FIG. 2 is a front elevation view of the container, the right side elevation view, the left side elevation view, and the back elevation view all being identical to the front elevation view. FIG. 3 is a right side elevation view of the container. FIG. 4 is a left side elevation view of the container. FIG. 5 is a back elevation view of the container. FIG. 6 is a top plan view of the container; and, FIG. 7 is a bottom plan view of the container. The broken lines shown represent portions of the container that form no part of the claimed design.

1 Claim, 7 Drawing Sheets

(56) **References Cited**

U.S. PATENT DOCUMENTS

- D24,203 S * 4/1895 Estes D9/504
- D28,413 S * 3/1898 Taite D9/504
- D493,721 S * 8/2004 Puigbo D9/504
- D530,208 S * 10/2006 Danne D9/504
- D577,290 S * 9/2008 Moretti D9/504
- D578,891 S * 10/2008 Canamasas Puigbo D9/500



(56)

References Cited

U.S. PATENT DOCUMENTS

D733,967	S *	7/2015	Schlatter	D9/504
D755,051	S *	5/2016	Otani	D9/504
D765,512	S *	9/2016	Joulia	D9/504
D781,151	S *	3/2017	Lerman	D9/500
D795,705	S *	8/2017	Huang	D9/738
D797,559	S *	9/2017	Lerman	D9/500
D799,328	S *	10/2017	Canamasas Puigbo	D9/529
D854,927	S *	7/2019	Biesecker Longacre	
				B65D 25/54
				D9/454
D855,471	S *	8/2019	Kim	D9/529
10,442,586	B2 *	10/2019	Patton	B65D 50/041
10,513,375	B2 *	12/2019	Karll	B65D 25/54
D874,936	S *	2/2020	Son	D9/504
D885,919	S *	6/2020	Beardsall	D9/454
D891,928	S *	8/2020	Yeo	D9/504
D892,626	S *	8/2020	Staab	D9/529
D900,619	S *	11/2020	Beardsall	D9/575
D901,305	S *	11/2020	Buck	D9/574
2009/0223967	A1 *	9/2009	Mengeu	B65D 50/046
				220/326
2015/0298866	A1 *	10/2015	Hagen	B65D 43/0225
				220/288
2016/0030285	A1 *	2/2016	Miceli	A61J 1/00
				215/207
2019/0144175	A1 *	5/2019	Patton	B65D 41/06
				215/252

* cited by examiner

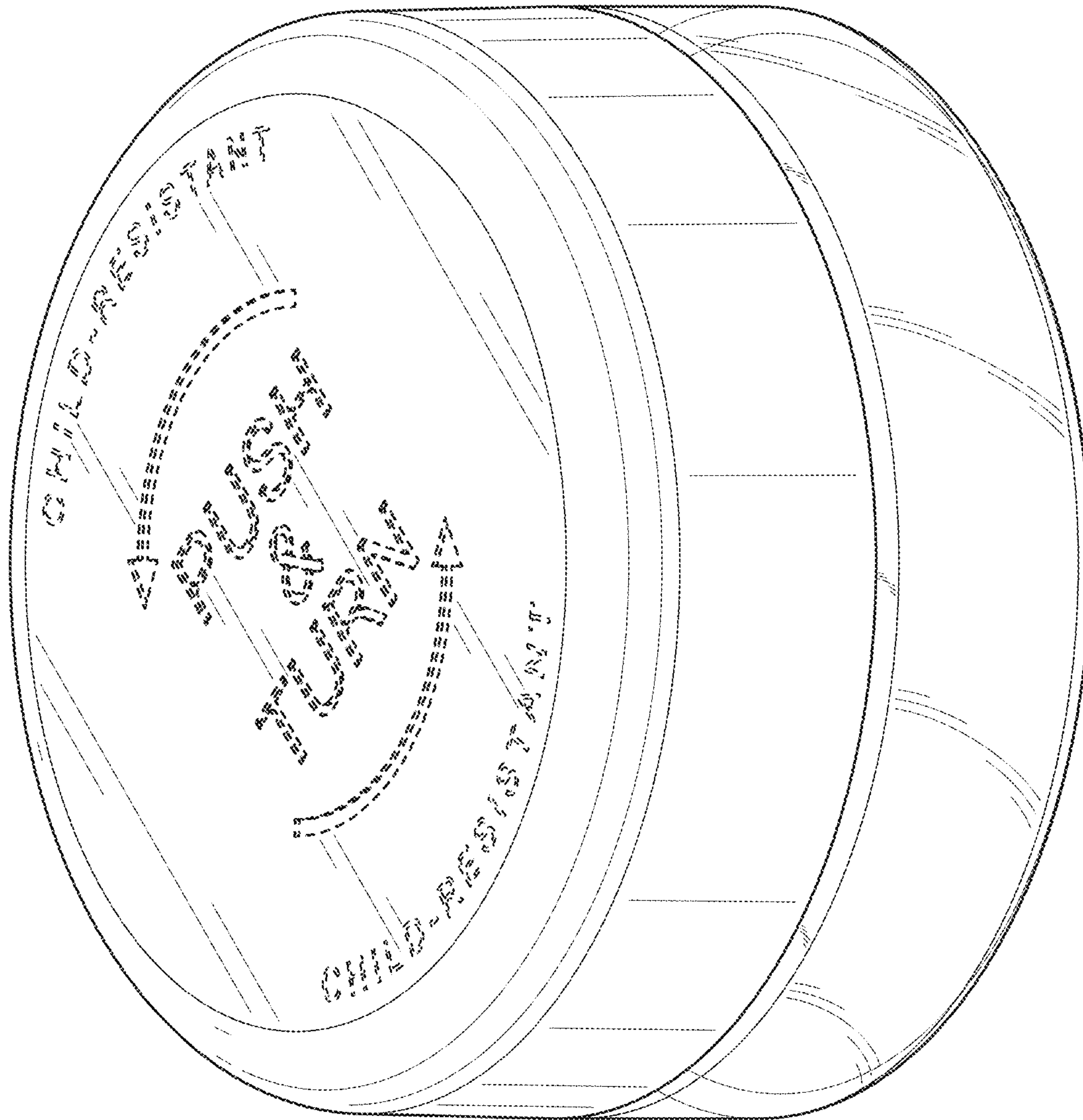


FIG. 1

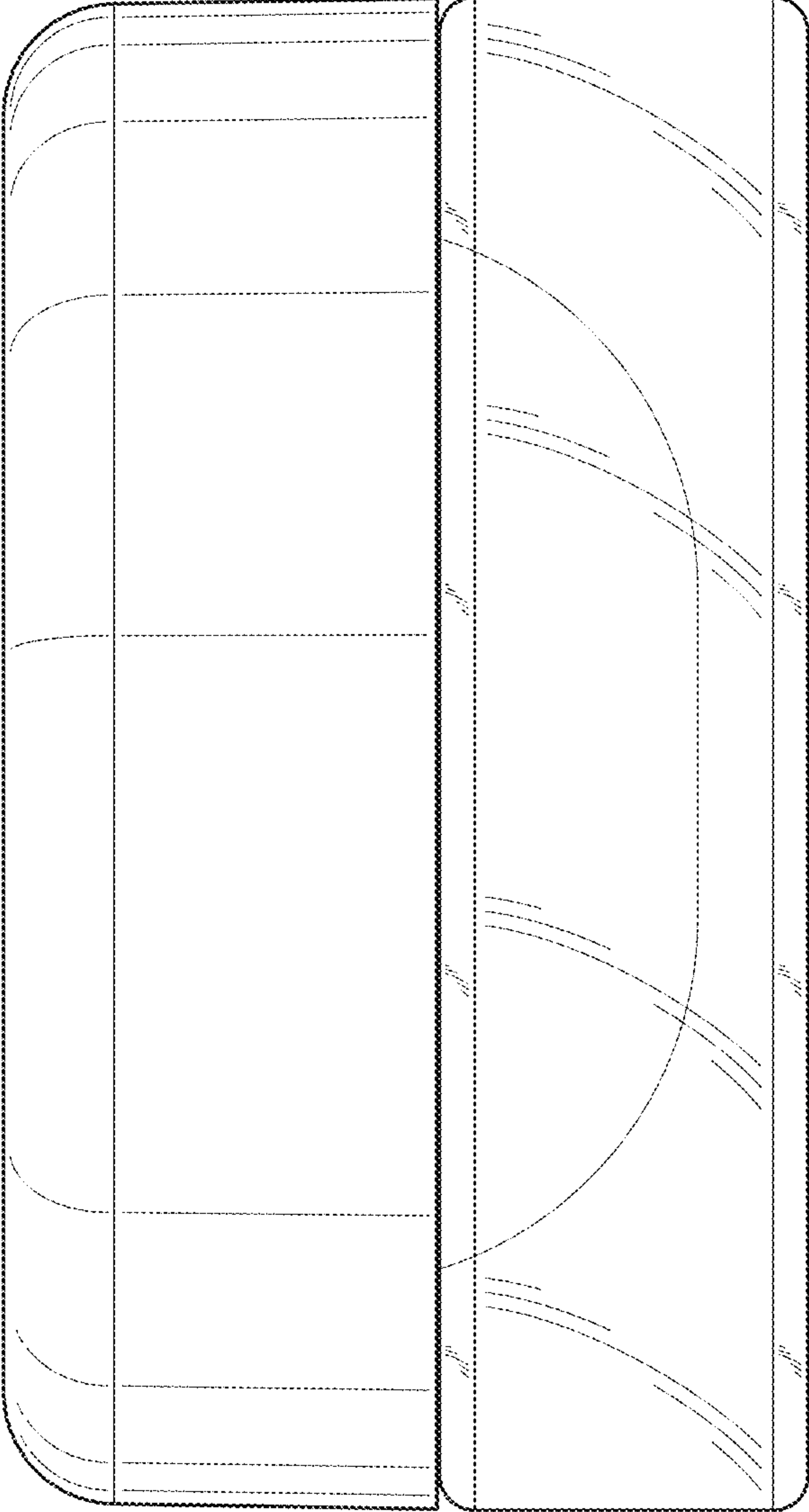


FIG. 2

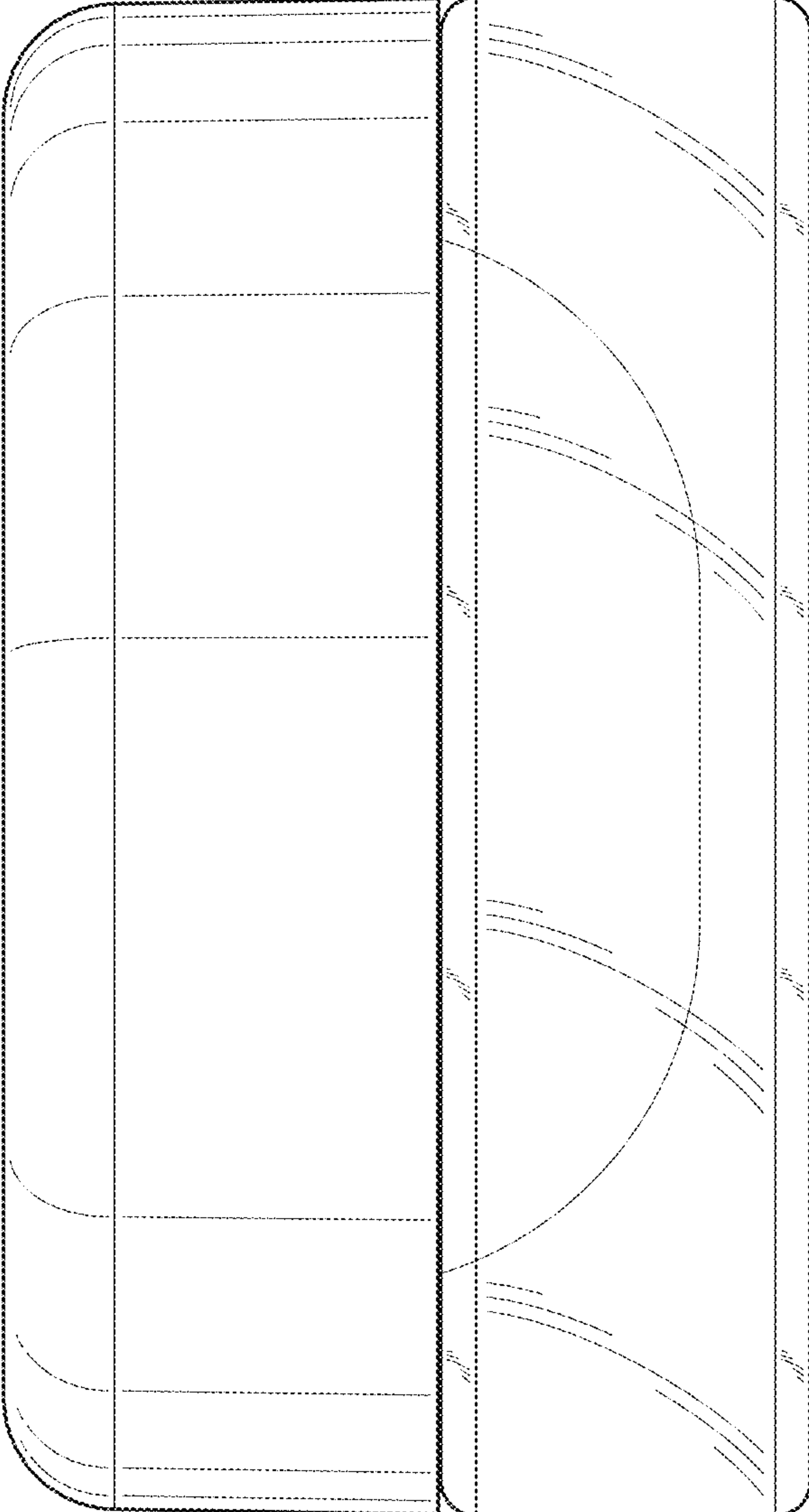


FIG. 3

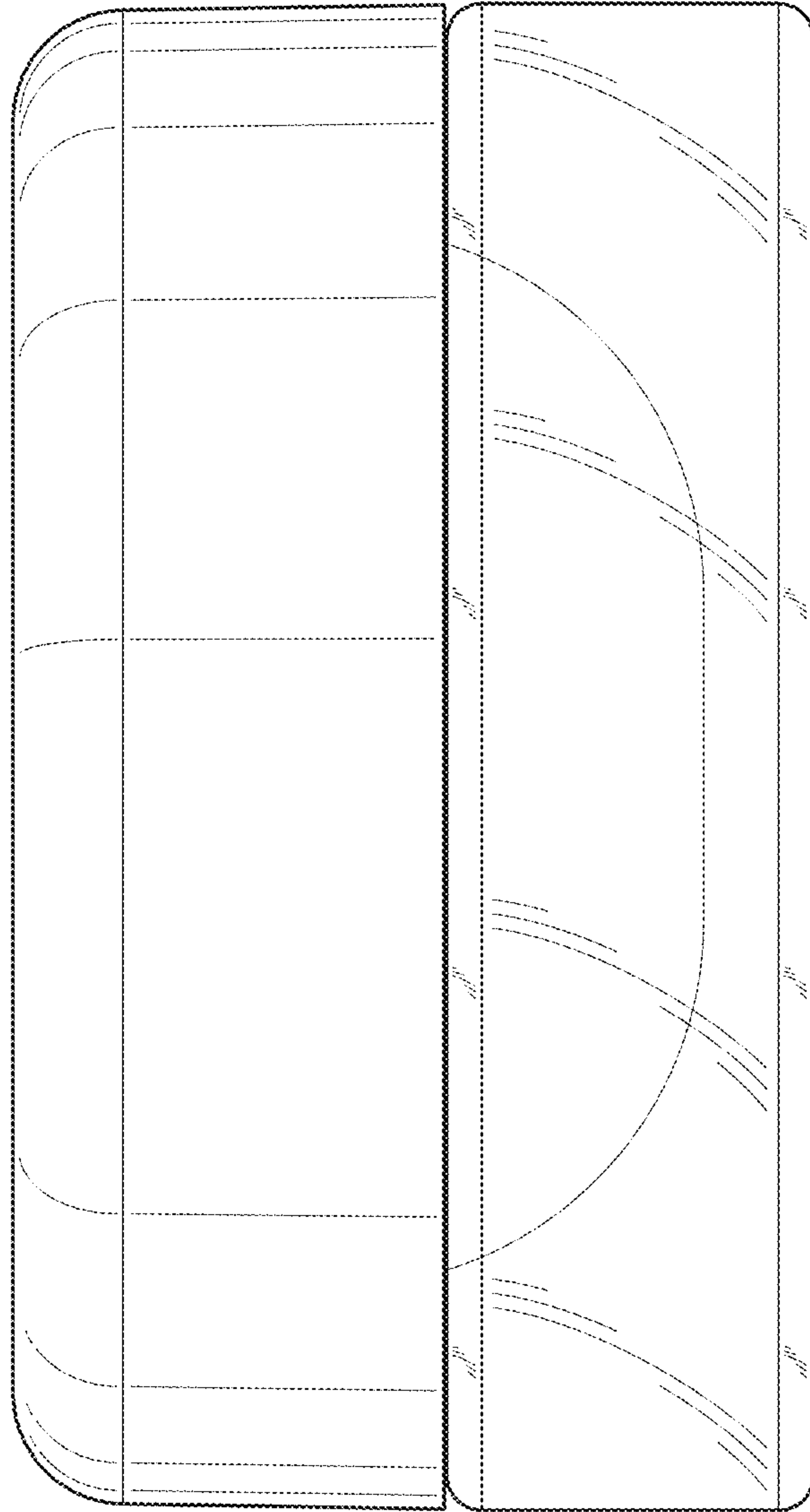


FIG. 4

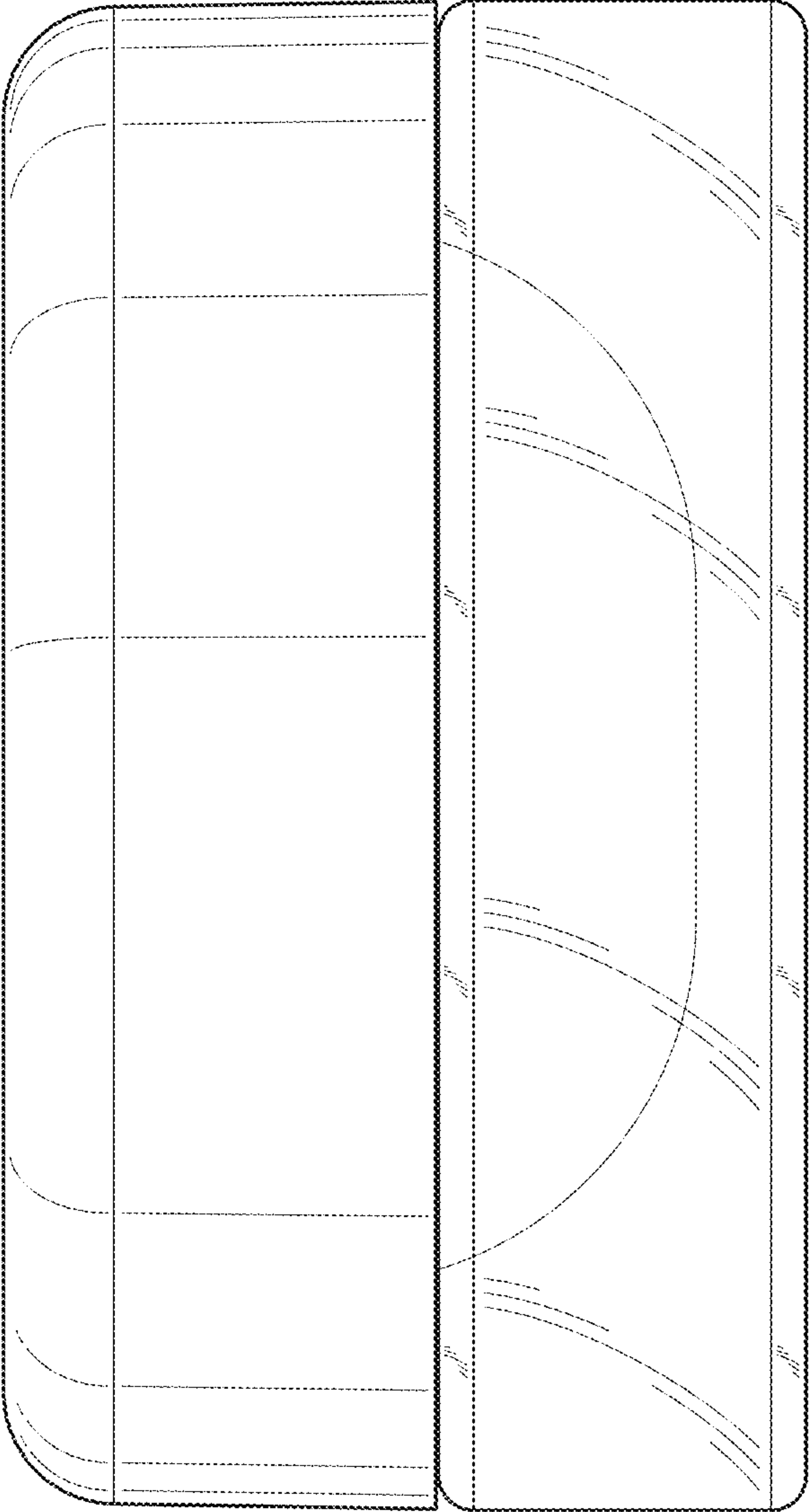


FIG. 5

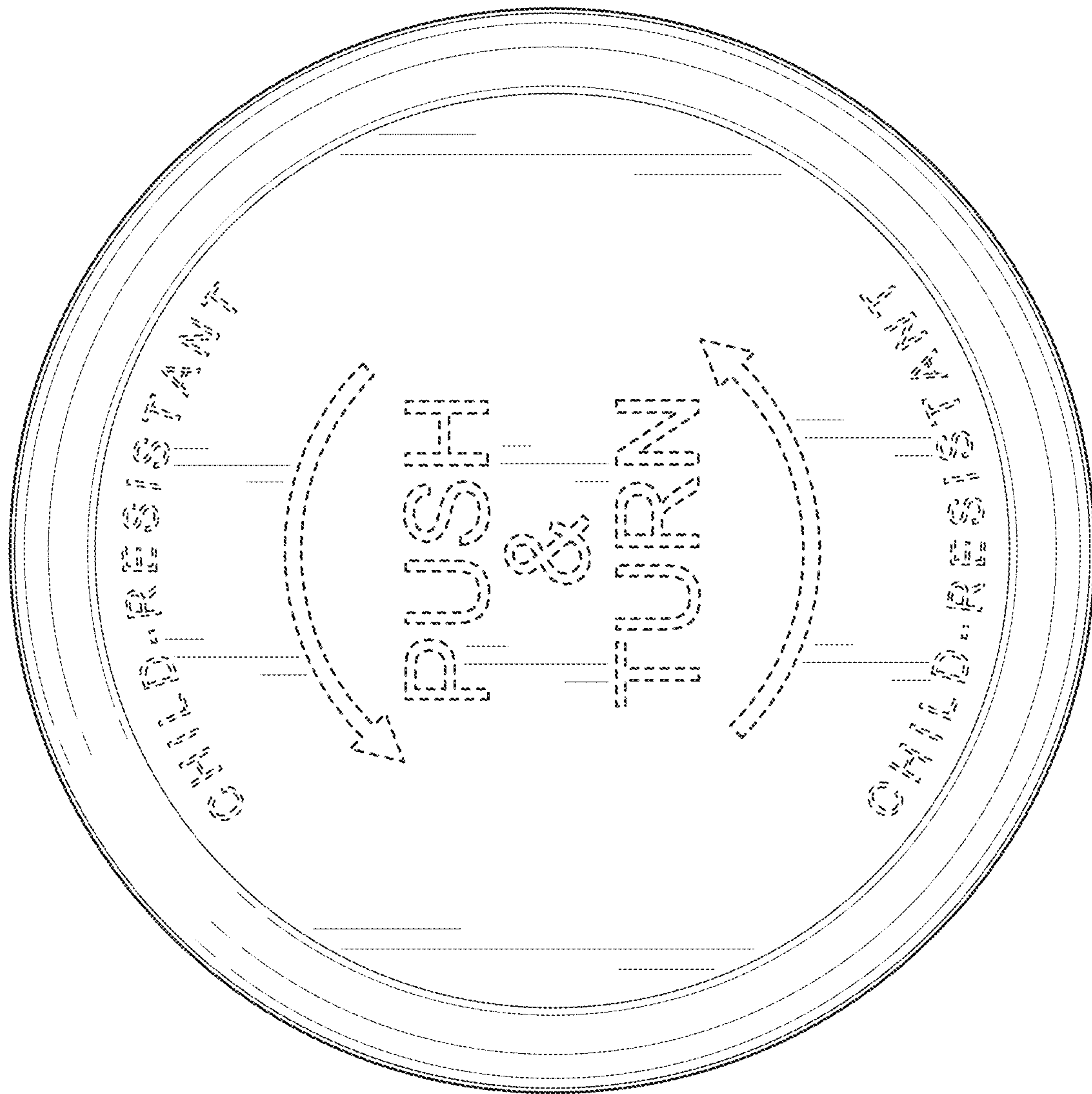


FIG. 6

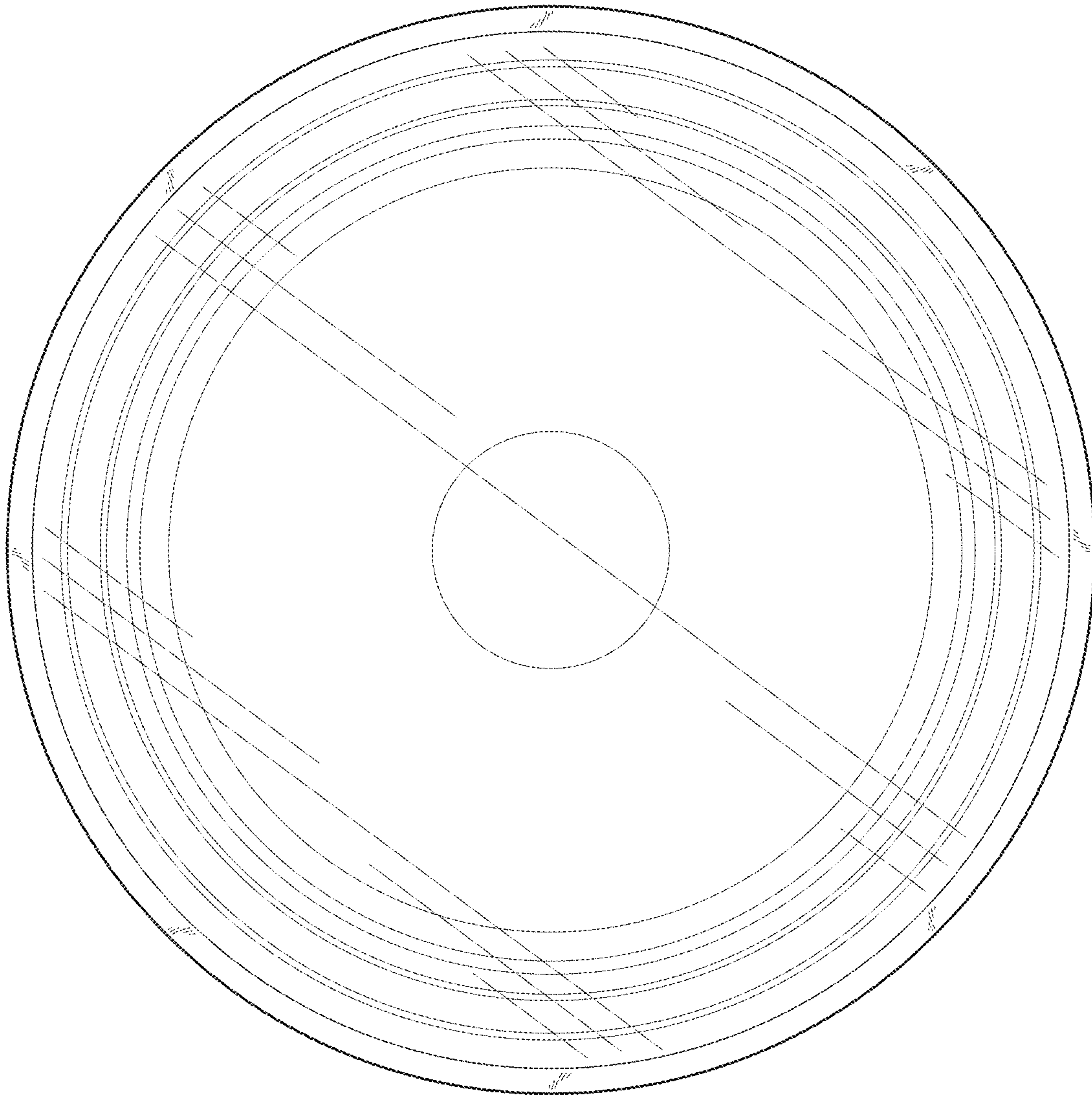


FIG. 7