



US00D909873S

(12) **United States Design Patent** (10) **Patent No.:** **US D909,873 S**
Groglopo Favetto (45) **Date of Patent:** **** Feb. 9, 2021**

(54) **BOTTLE**

(71) Applicant: **Conopco, Inc.**, Englewood Cliffs, NJ (US)

(72) Inventor: **Pablo Ignacio Groglopo Favetto**, Rotterdam (NL)

(73) Assignee: **Conopco, Inc.**, Englewood Cliffs, NJ (US)

(**) Term: **15 Years**

(21) Appl. No.: **29/670,992**

(22) Filed: **Nov. 21, 2018**

(30) **Foreign Application Priority Data**

May 29, 2018 (EP) 005287372-0001

(51) **LOC (13) Cl.** **09-01**

(52) **U.S. Cl.**
USPC **D9/500**

(58) **Field of Classification Search**
USPC D9/500, 503-505, 516, 530, 537-540, D9/544-545, 549, 558, 659, 715, 719; D24/224

CPC B65D 1/00; B65D 1/02; B65D 1/0223; B65D 1/023; B65D 2501/00; B65D 2501/0009

See application file for complete search history.

(56) **References Cited**

U.S. PATENT DOCUMENTS

D116,861 S *	9/1939	Mas	D9/500
D192,453 S *	3/1962	Wilhelm	D9/500
D210,351 S *	3/1968	Fuerst	D9/500
D211,510 S *	6/1968	Kieffer	D9/500
D224,777 S *	9/1972	Pettengill	D9/500
D225,727 S *	1/1973	Pettengill	D9/500
D228,880 S *	10/1973	Strand et al.	D9/538
D229,482 S *	12/1973	Suhard	D9/500

D232,078 S *	7/1974	Strand	D9/500
D247,472 S *	3/1978	Byrne	D9/500
D247,847 S *	5/1978	Kretz	D9/500
D254,840 S *	4/1980	Aldrich, III	D9/504
D264,306 S *	5/1982	Pardo	D9/500
D274,501 S *	7/1984	Campbell	D9/500
D276,697 S *	12/1984	Martini	D9/500
D288,662 S *	3/1987	Obuchowski	D9/542
D290,228 S *	6/1987	Conrad	D9/500
D292,375 S *	10/1987	Jacobs	D9/500
D299,115 S *	12/1988	Wetherell, Jr.	D9/500
D379,307 S *	5/1997	Marriage	D9/503
D379,760 S *	6/1997	Zogg	D9/502
D379,761 S *	6/1997	Zogg	D9/502

(Continued)

FOREIGN PATENT DOCUMENTS

EM	002198127-0001	3/2013
EM	002198127-0002	3/2013

OTHER PUBLICATIONS

Knorr Bottle; At least as early as May 28, 2018.

Primary Examiner — Dana Meyrow

(74) *Attorney, Agent, or Firm* — Gerard J. McGowan, Jr.

(57) **CLAIM**

The ornamental design for a bottle, as shown and described.

DESCRIPTION

FIG. 1 is a perspective view from above;

FIG. 2 is a front view;

FIG. 3 is a rear view;

FIG. 4 is a side view;

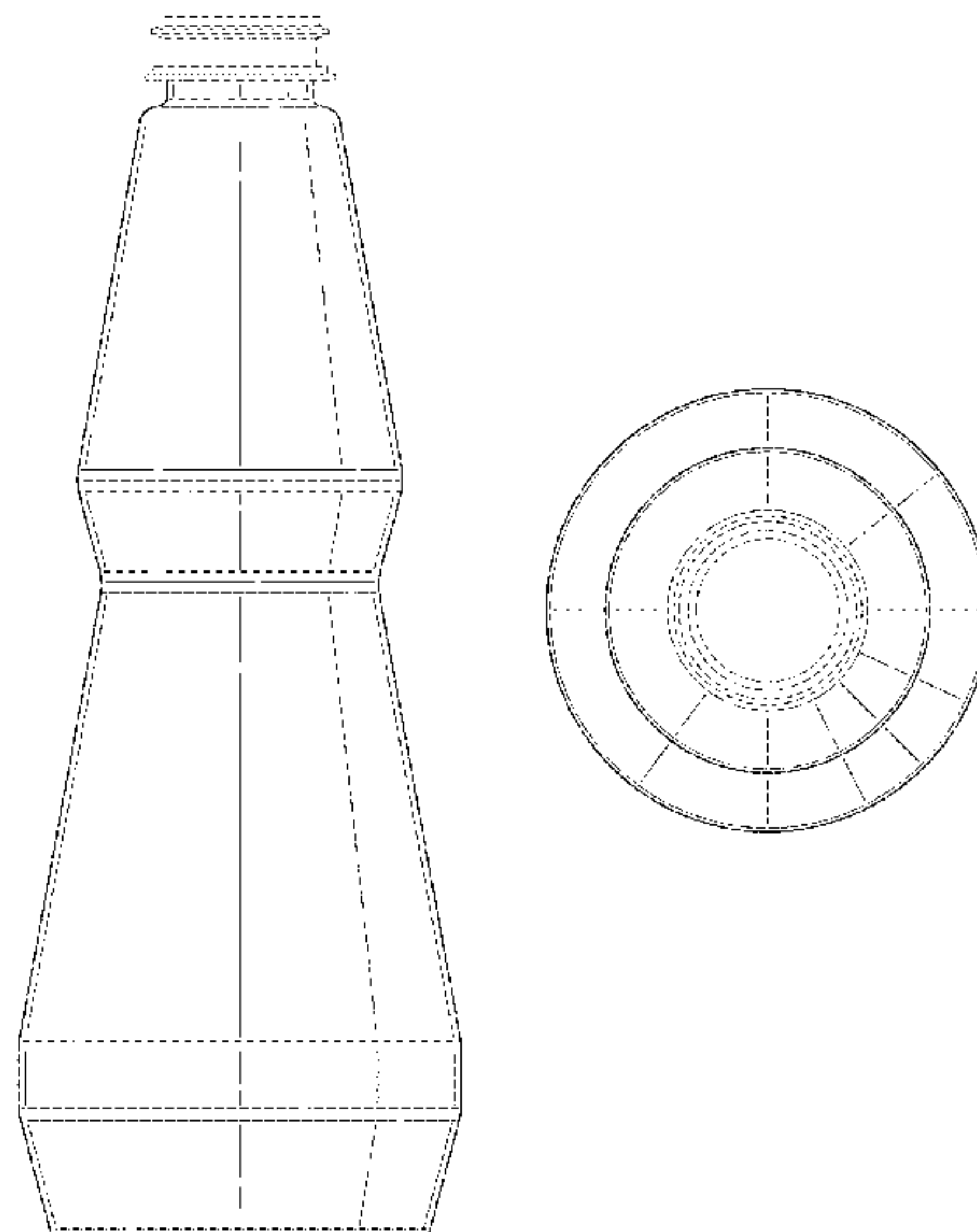
FIG. 5 is a view of the other side;

FIG. 6 is a top plan view; and,

FIG. 7 is a bottom plan view.

The broken lines in the drawings illustrate the portions of the bottle that form no part of the claim.

1 Claim, 4 Drawing Sheets



(56)

References Cited

U.S. PATENT DOCUMENTS

D379,762 S *	6/1997	Zogg	D9/502
D384,889 S *	10/1997	Nasrallah	D9/500
D520,363 S *	5/2006	Perez	D9/500
D536,616 S *	2/2007	Rubin	D9/500
D614,030 S *	4/2010	Kuzma	D9/500
D615,404 S *	5/2010	Pitzer	D9/500
D727,159 S *	4/2015	Barjon	D9/537
D739,244 S *	9/2015	Barjon	D9/500
D740,120 S *	10/2015	Ghouyel	D9/500
D763,085 S *	8/2016	Fleischhacker	D9/500
D866,332 S *	11/2019	Laib	D9/500
D887,211 S *	6/2020	Sitwell	D7/507
D887,213 S *	6/2020	Sitwell	D7/523
D888,557 S *	6/2020	Harris	D9/500

* cited by examiner

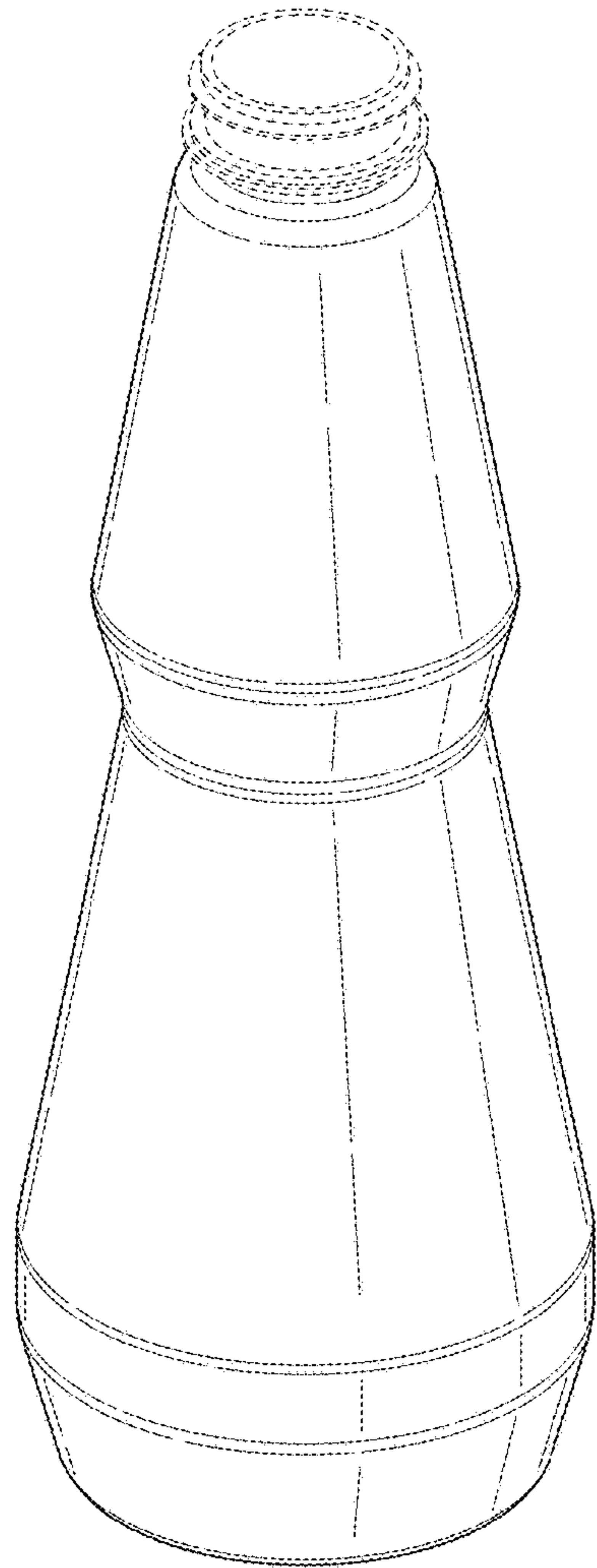


Fig. 1

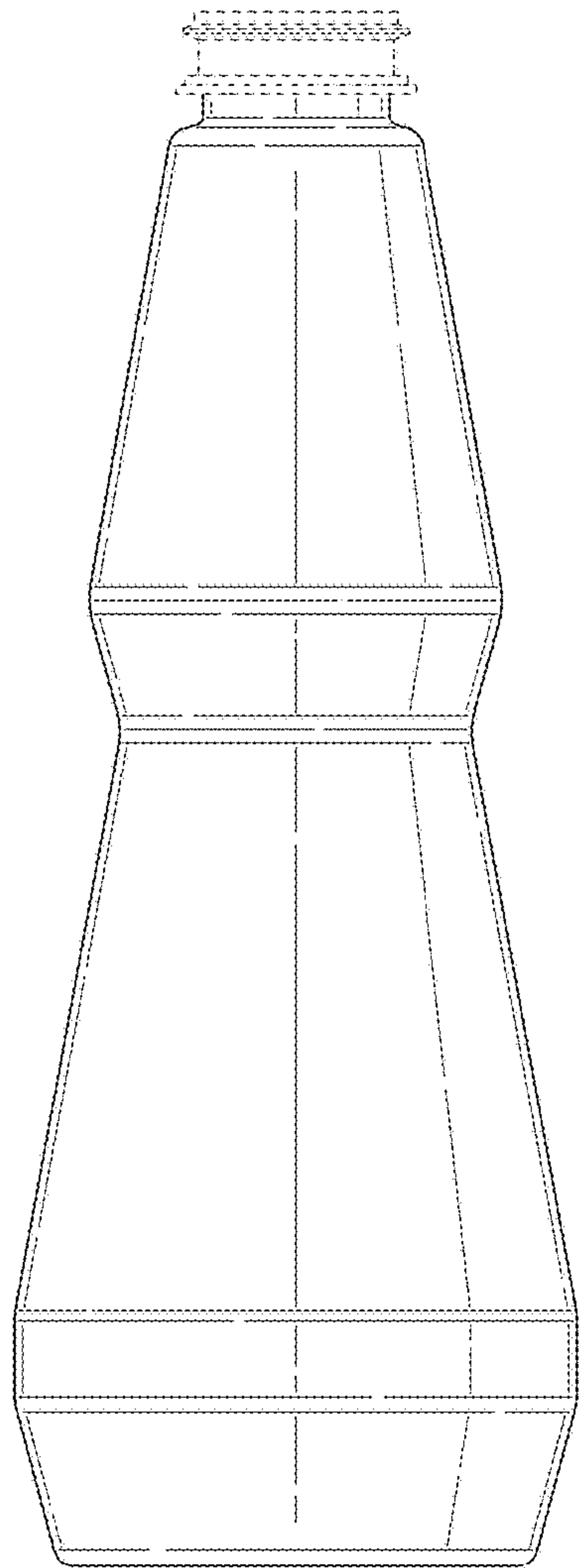


Fig. 2

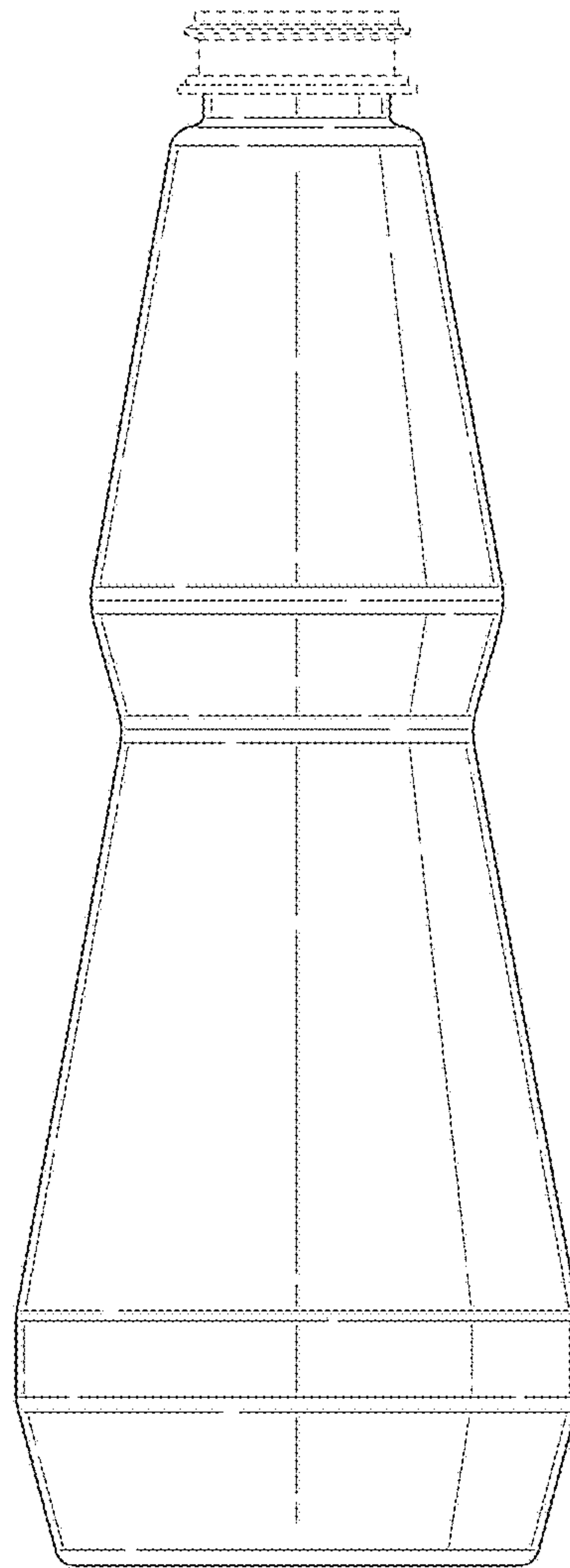


Fig. 3

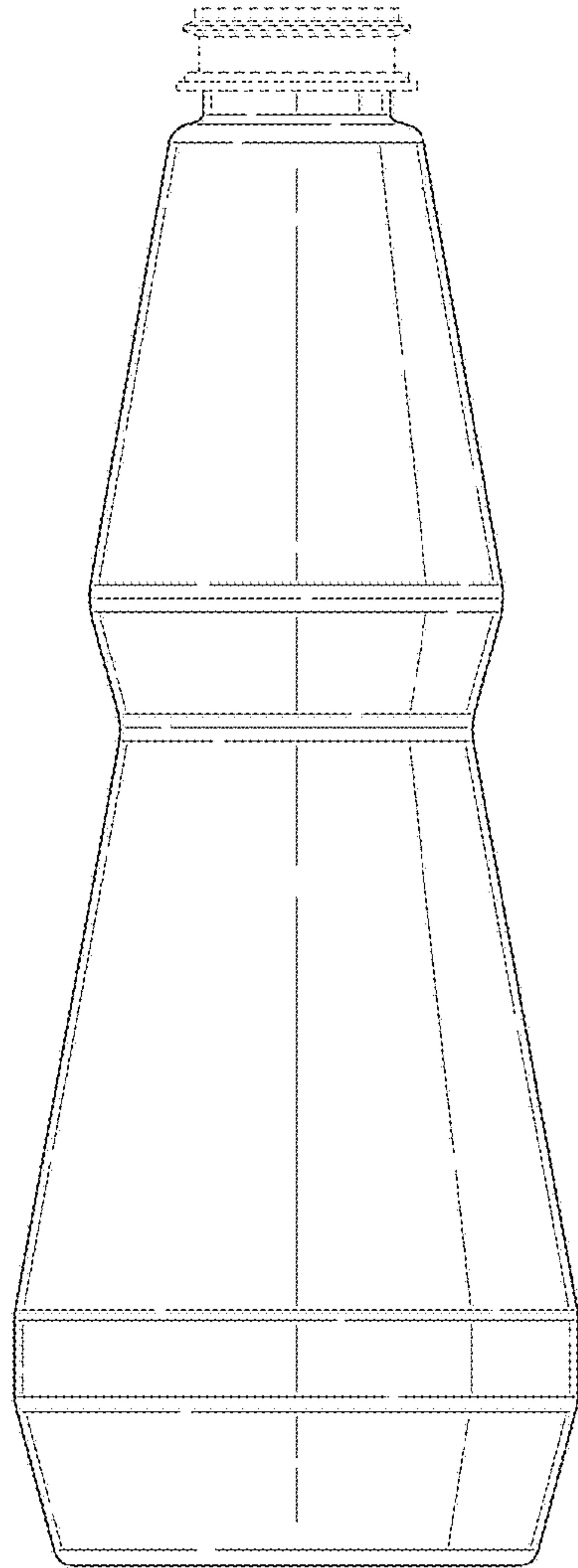


Fig. 4

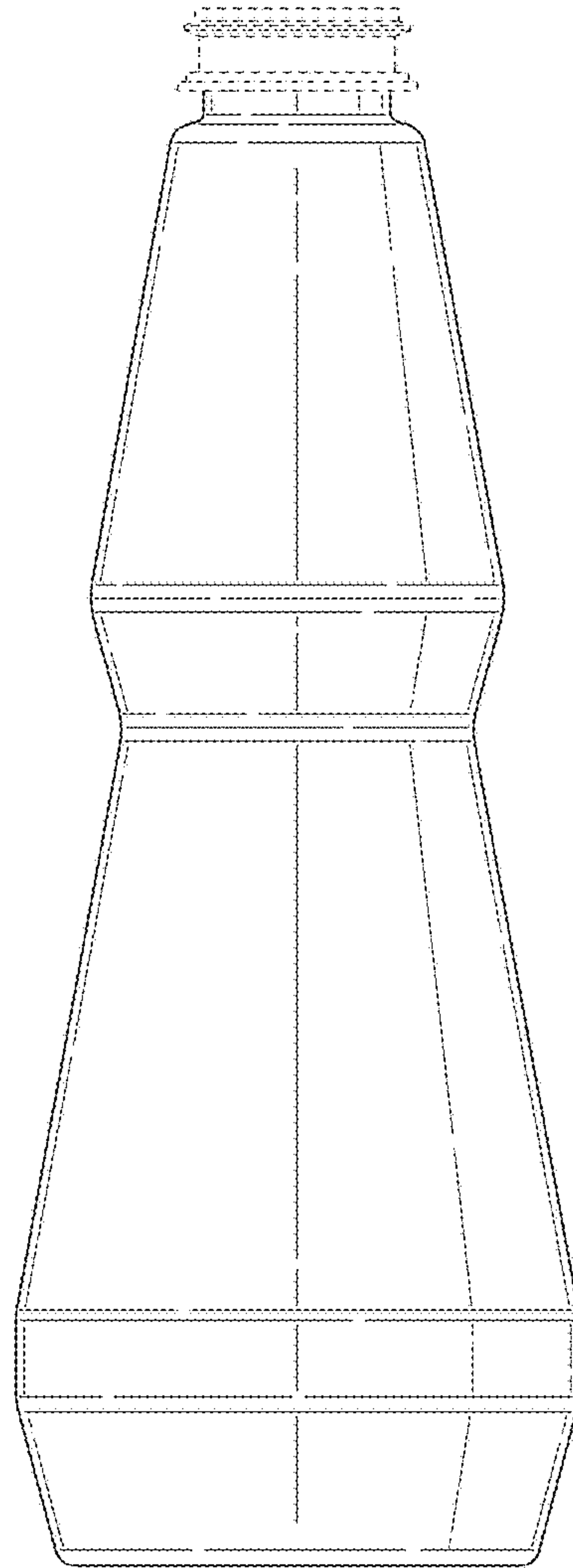


Fig. 5

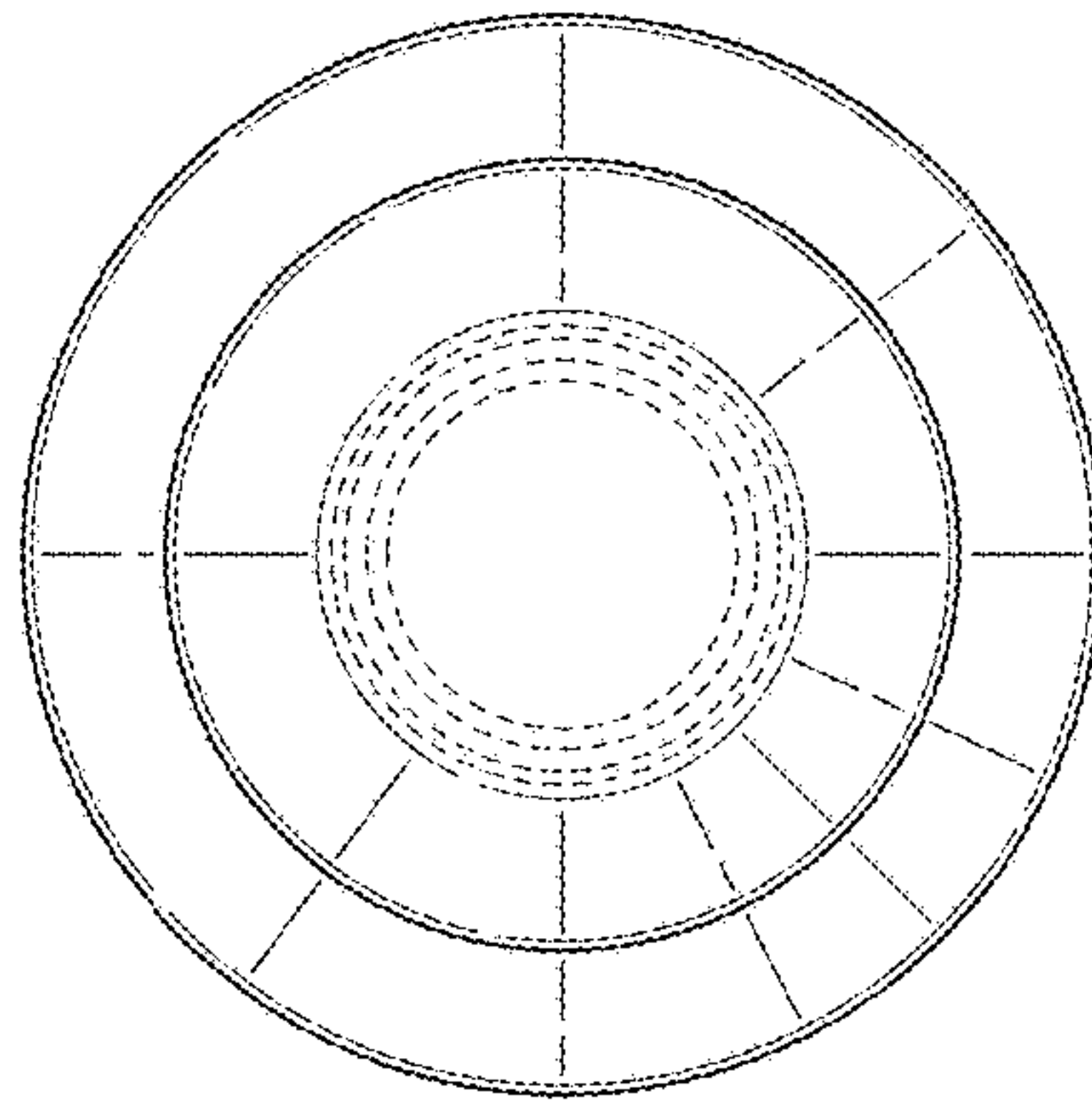


Fig. 6

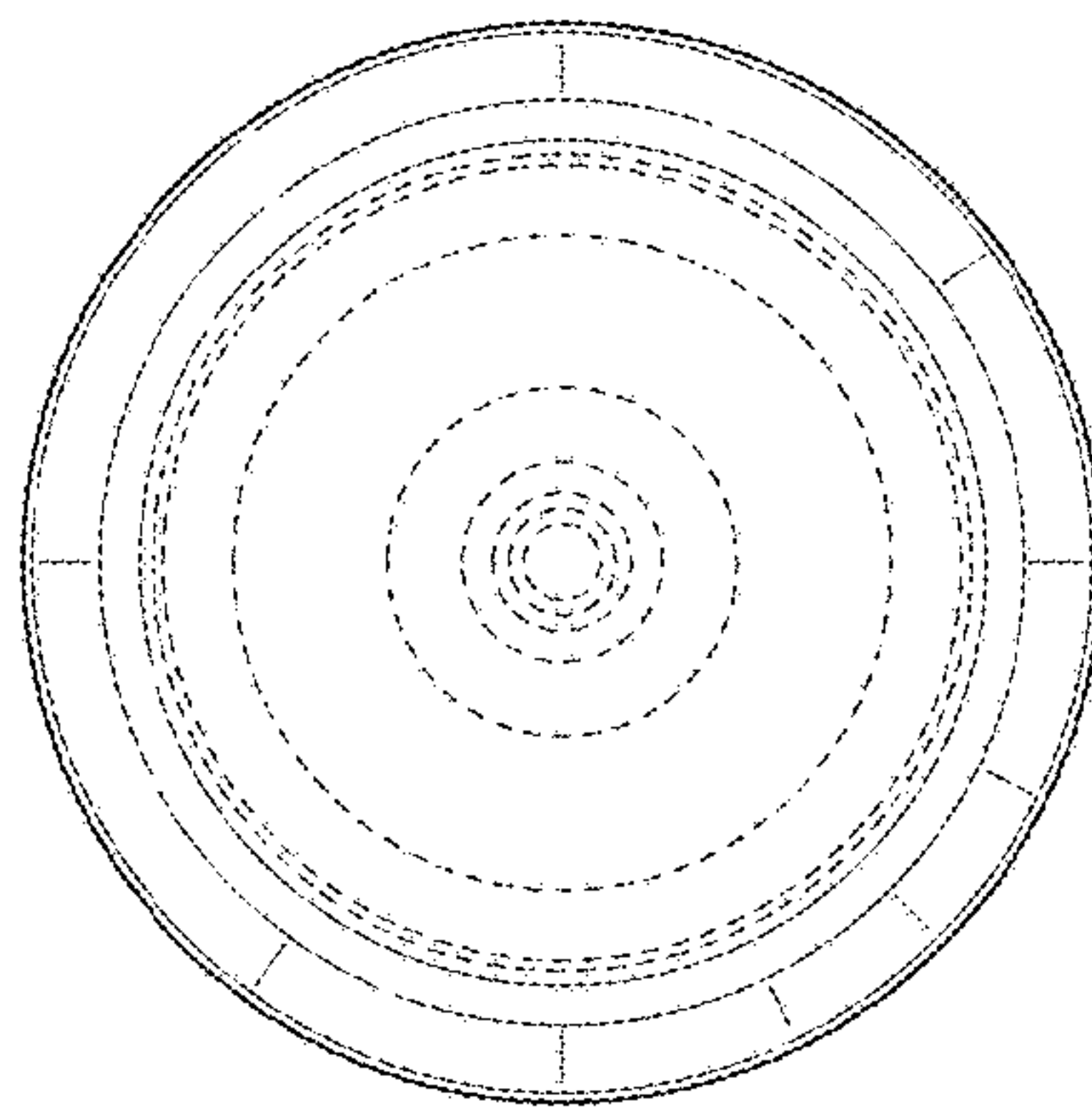


Fig. 7