



US00D909870S

(12) **United States Design Patent** (10) **Patent No.:** **US D909,870 S**  
**Asprey et al.** (45) **Date of Patent:** **\*\* Feb. 9, 2021**

(54) **BOTTLE CAP**

(56) **References Cited**

- (71) Applicant: **BULLETPROOF 360, INC.**, Seattle, WA (US)
- (72) Inventors: **David Asprey**, Seattle, WA (US); **Anna Collins**, Seattle, WA (US); **Karen Huh**, Seattle, WA (US); **Nicholas Anderson**, Seattle, WA (US); **John Ostby**, Seattle, WA (US); **Jordan Steranka**, Seattle, WA (US)
- (73) Assignee: **BULLETPROOF 360, INC.**, Seattle, WA (US)
- (\*\*) Term: **15 Years**
- (21) Appl. No.: **29/683,688**
- (22) Filed: **Mar. 14, 2019**
- (51) **LOC (13) Cl.** ..... **09-07**
- (52) **U.S. Cl.**  
USPC ..... **D9/449**
- (58) **Field of Classification Search**  
USPC ..... D9/414, 415, 432, 434, 435, 443-453, D9/455-457, 499, 503, 504, 682, 685, D9/686, 600, 602; D7/387, 391, 392, D7/392.1, 394, 396.1-396.4, 506, 507, D7/509-511, 538, 900; D3/202, 203.2, D3/294, 318; D28/91, 91.1  
CPC .. A61J 1/00; A61J 1/1412; B65D 1/00; B65D 1/02; B65D 1/10; B65D 1/46; B65D 5/46; B65D 41/00; B65D 41/38; B65D 41/56; B65D 41/62; B65D 47/00; B65D 47/06; B65D 47/08; B65D 2251/00; B65D 2543/00046; B65D 2543/00092; B65D 2543/00296; B65D 2585/56; B65D 2585/545

U.S. PATENT DOCUMENTS

D70,591 S *	7/1926	Anderson	.....	D9/602
D152,327 S *	1/1949	Connolly	.....	D9/451
D153,521 S *	4/1949	Graham	.....	D9/451
D270,510 S *	9/1983	Miller	.....	D1/107
D350,482 S *	9/1994	Hu	.....	D9/445
D427,068 S *	6/2000	Hierzer	.....	D9/436
D447,416 S *	9/2001	Anderson	.....	D9/451
D577,999 S *	10/2008	Pivert	.....	D9/451
D584,613 S *	1/2009	Yan	.....	D9/449
D586,213 S *	2/2009	Wells	.....	D9/453
D588,915 S *	3/2009	Lohrman	.....	D9/449
D601,020 S *	9/2009	Arnell	.....	D9/451
D607,726 S *	1/2010	Wisniewski	.....	D9/449
D679,606 S *	4/2013	Bonadio	.....	D9/602
D713,723 S *	9/2014	den Boer	.....	D9/449
D769,715 S *	10/2016	Bois	.....	D9/449
D818,309 S *	5/2018	Jasso Gomez	.....	D9/449
D847,633 S *	5/2019	Berge	.....	D9/449
D847,642 S *	5/2019	Dunn	.....	G01F 19/002
				D9/449
D863,962 S *	10/2019	Bakic	.....	D9/449

(Continued)

Primary Examiner — Wendy L Arminio

(74) Attorney, Agent, or Firm — Perkins Coie LLP

(57) **CLAIM**

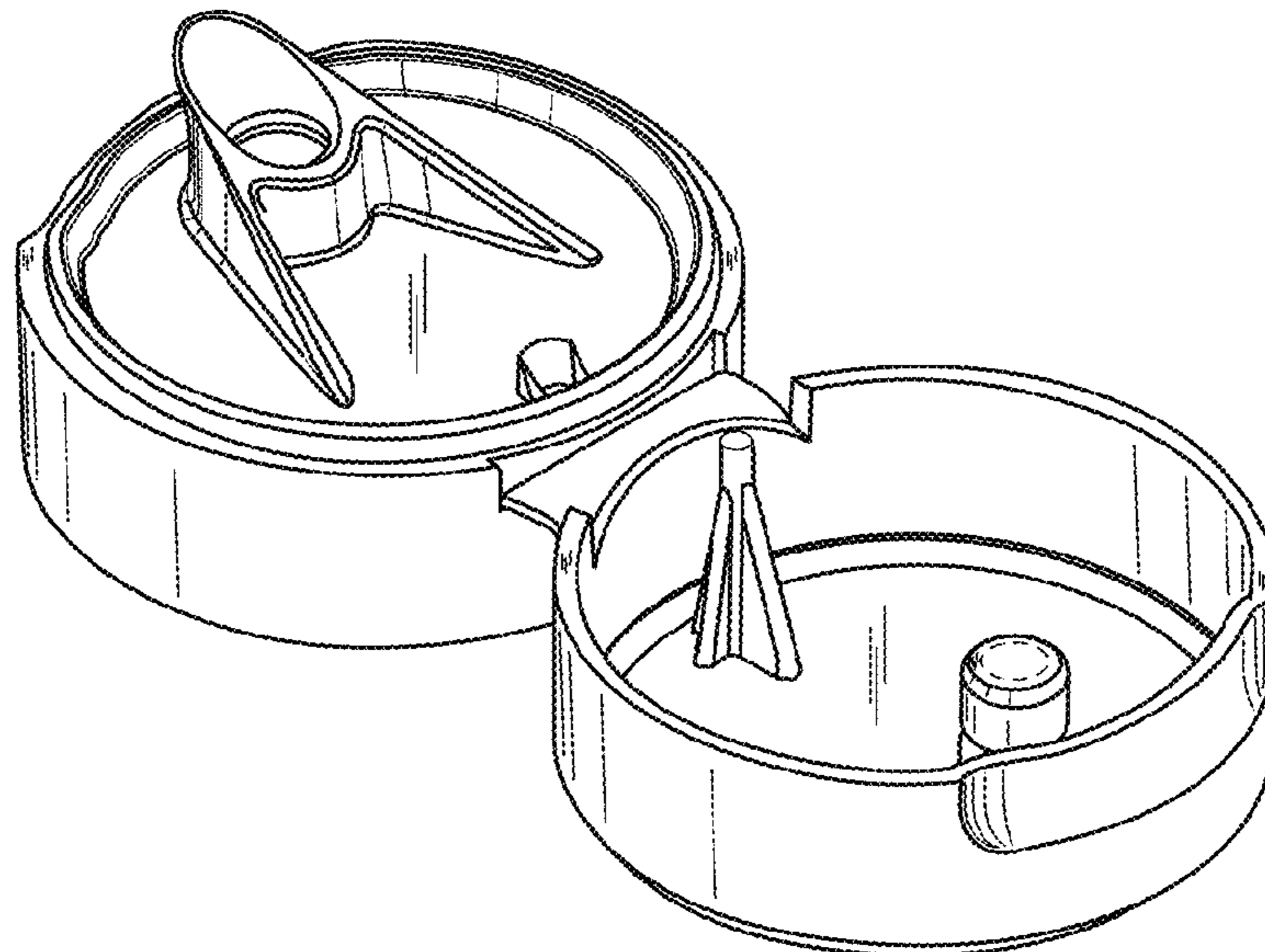
The ornamental design for a bottle cap, as shown and described.

**DESCRIPTION**

FIG. 1 is a perspective view of a bottle cap.  
 FIG. 2 is a back side view of the bottle cap.  
 FIG. 3 is a front side view of the bottle cap.  
 FIG. 4 is a right side view of the bottle cap.  
 FIG. 5 is a left side view of the bottle cap.  
 FIG. 6 is a top view of the bottle cap; and,  
 FIG. 7 is a bottom view of the bottle cap.  
 The details shown in broken lines depict portions of the bottle cap that form no part of the claimed design.

**1 Claim, 2 Drawing Sheets**

See application file for complete search history.



(56)

**References Cited**

U.S. PATENT DOCUMENTS

D867,814 S \* 11/2019 Bodum ..... D7/392.1  
2010/0072163 A1\* 3/2010 Krause ..... B65D 51/245  
215/230  
2018/0162606 A1\* 6/2018 Zeng ..... B65D 47/32  
2018/0207061 A1\* 7/2018 Fox ..... A61J 1/1406

\* cited by examiner

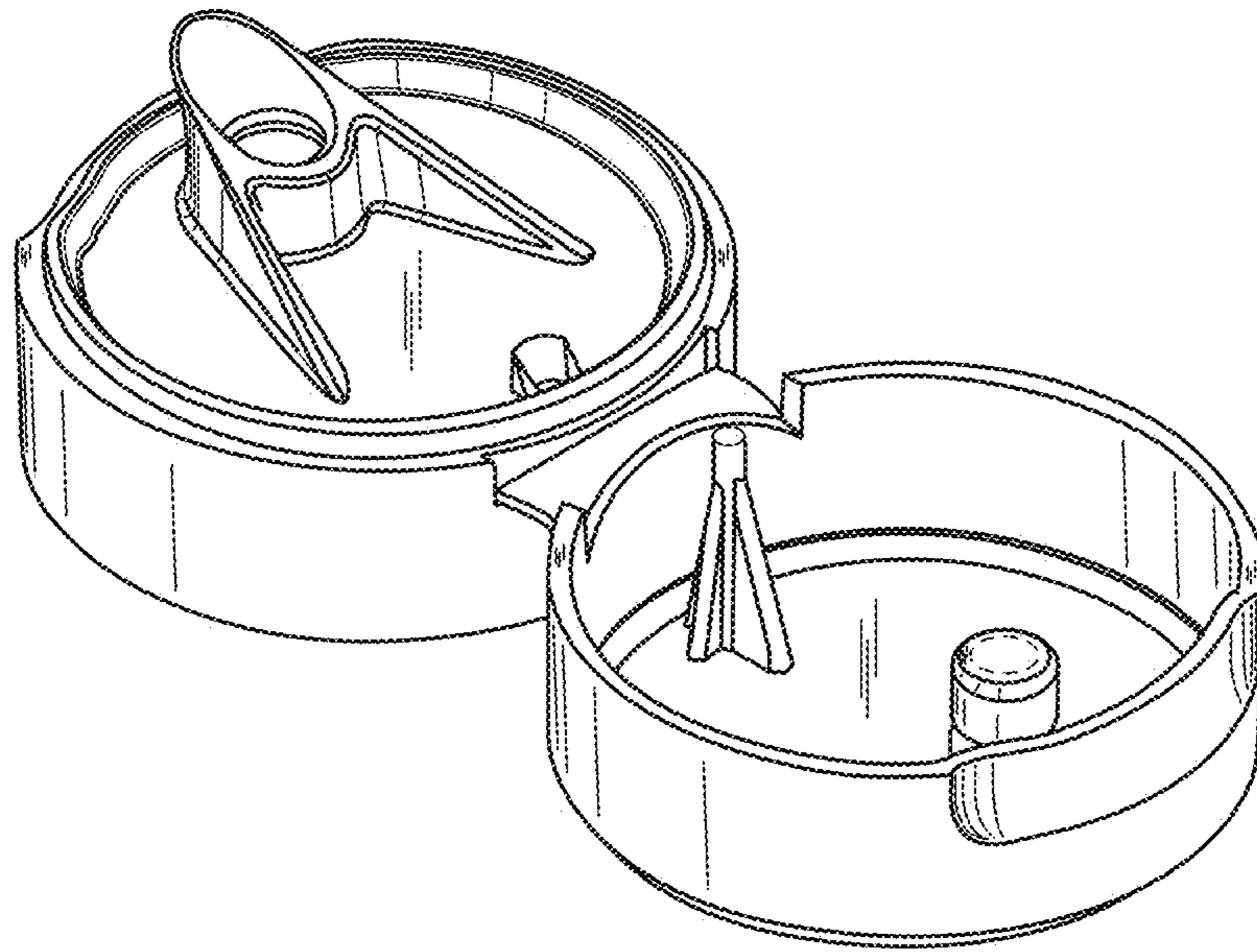


FIGURE 1

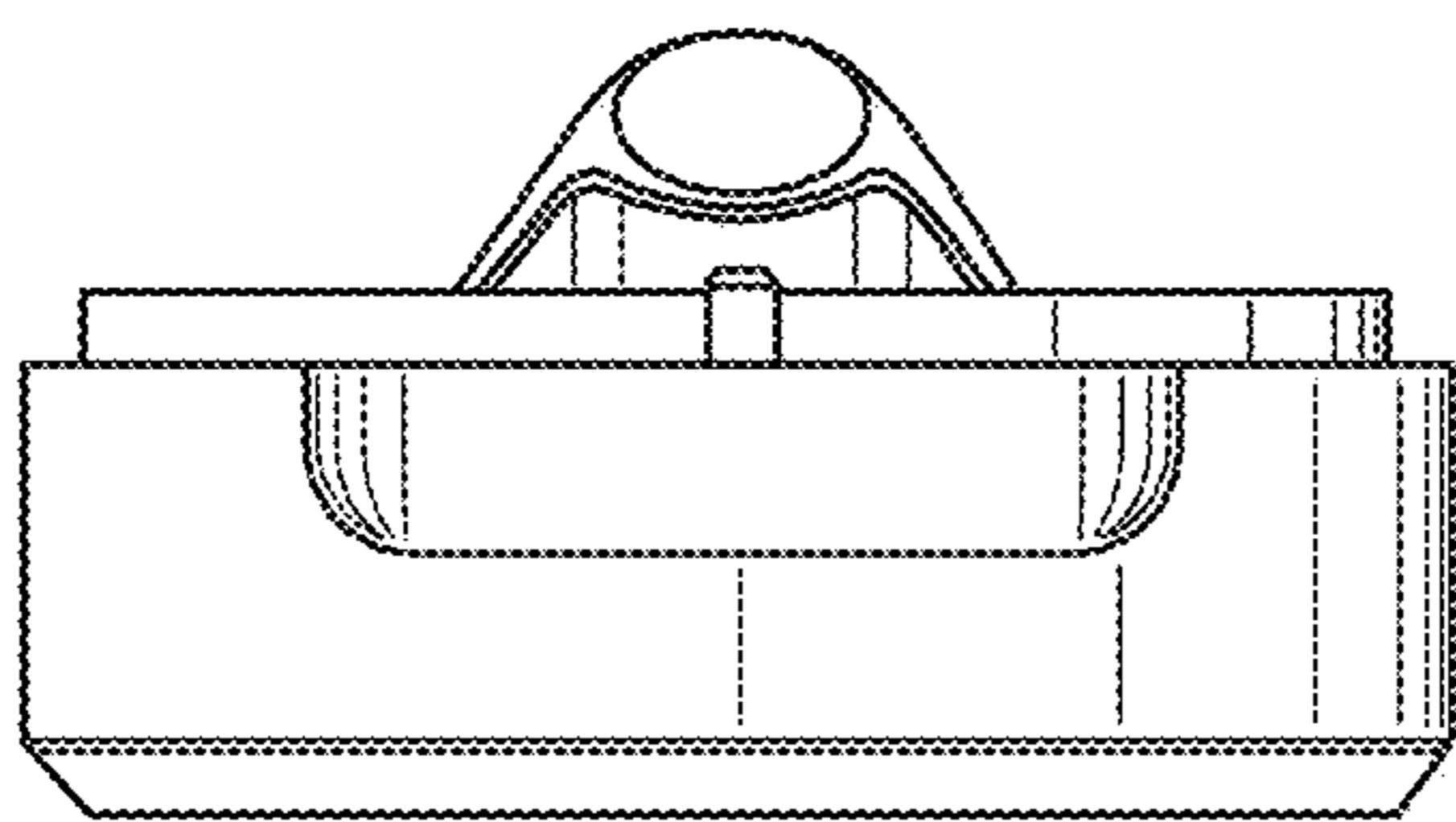


FIGURE 2

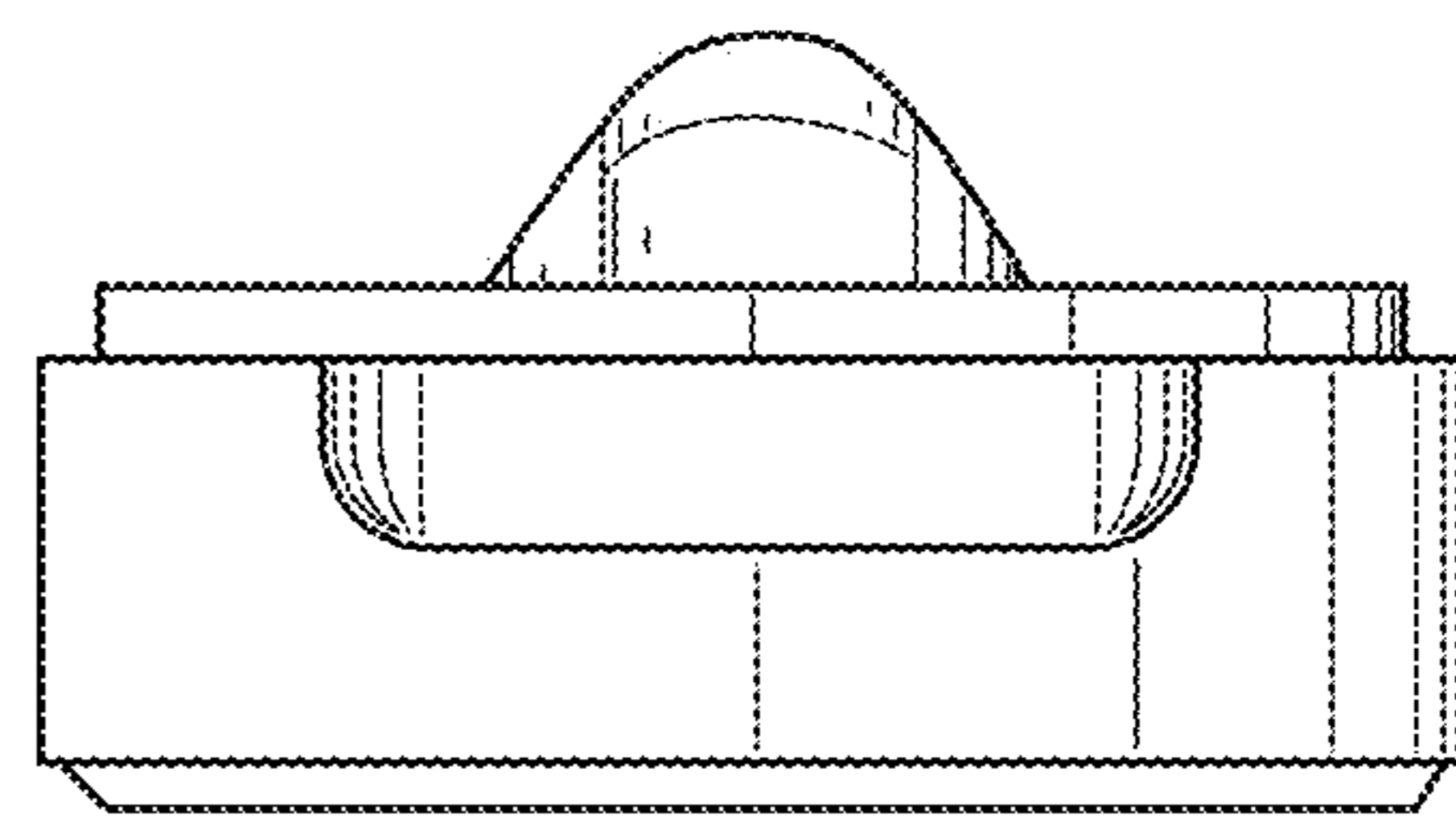


FIGURE 3

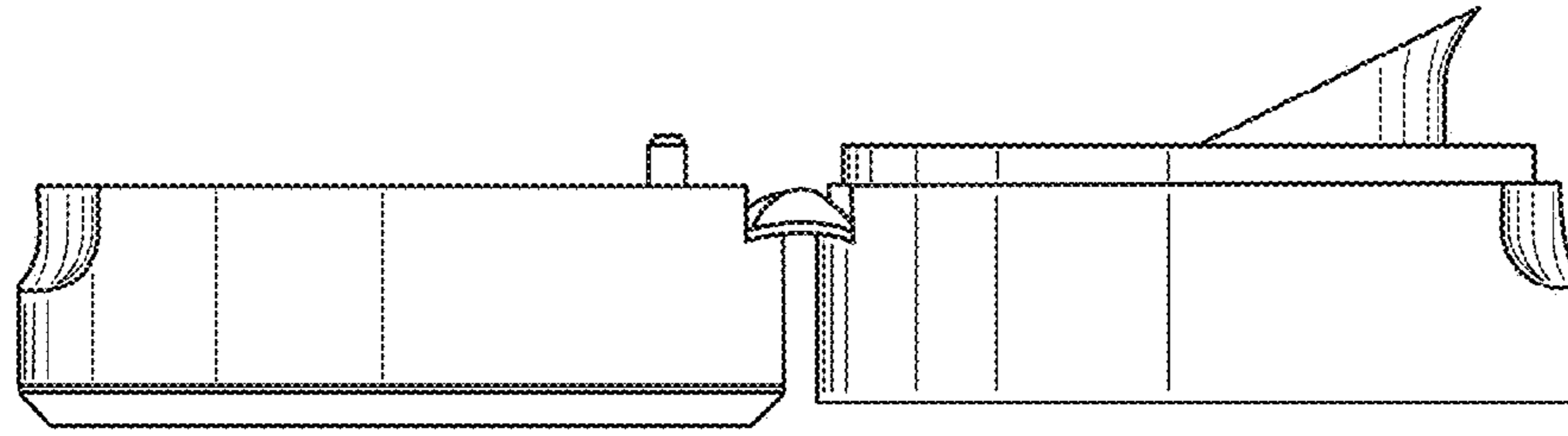


FIGURE 4

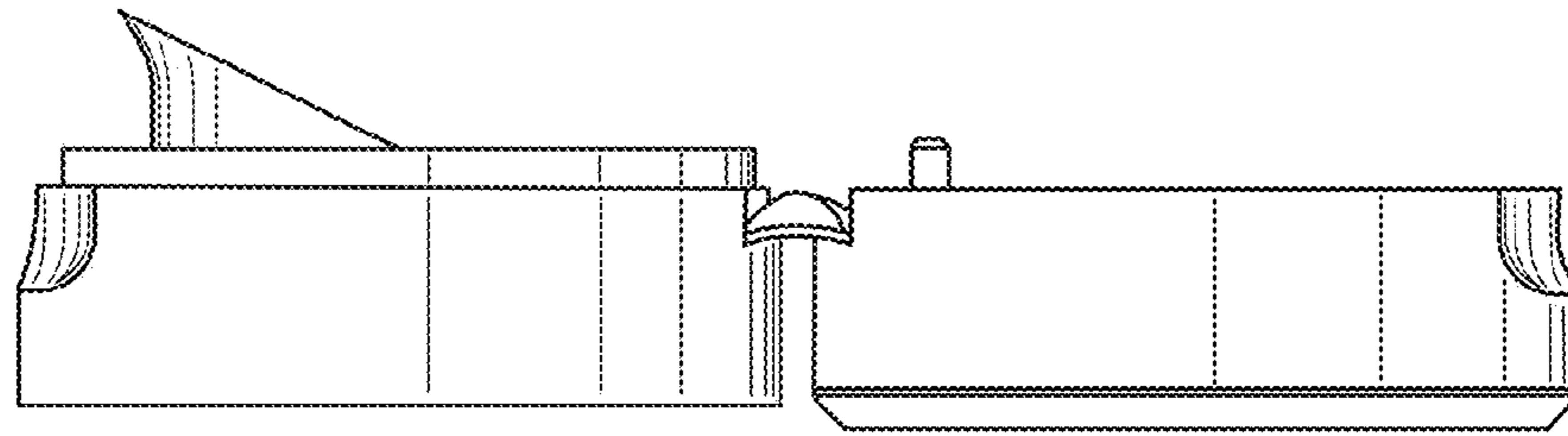


FIGURE 5

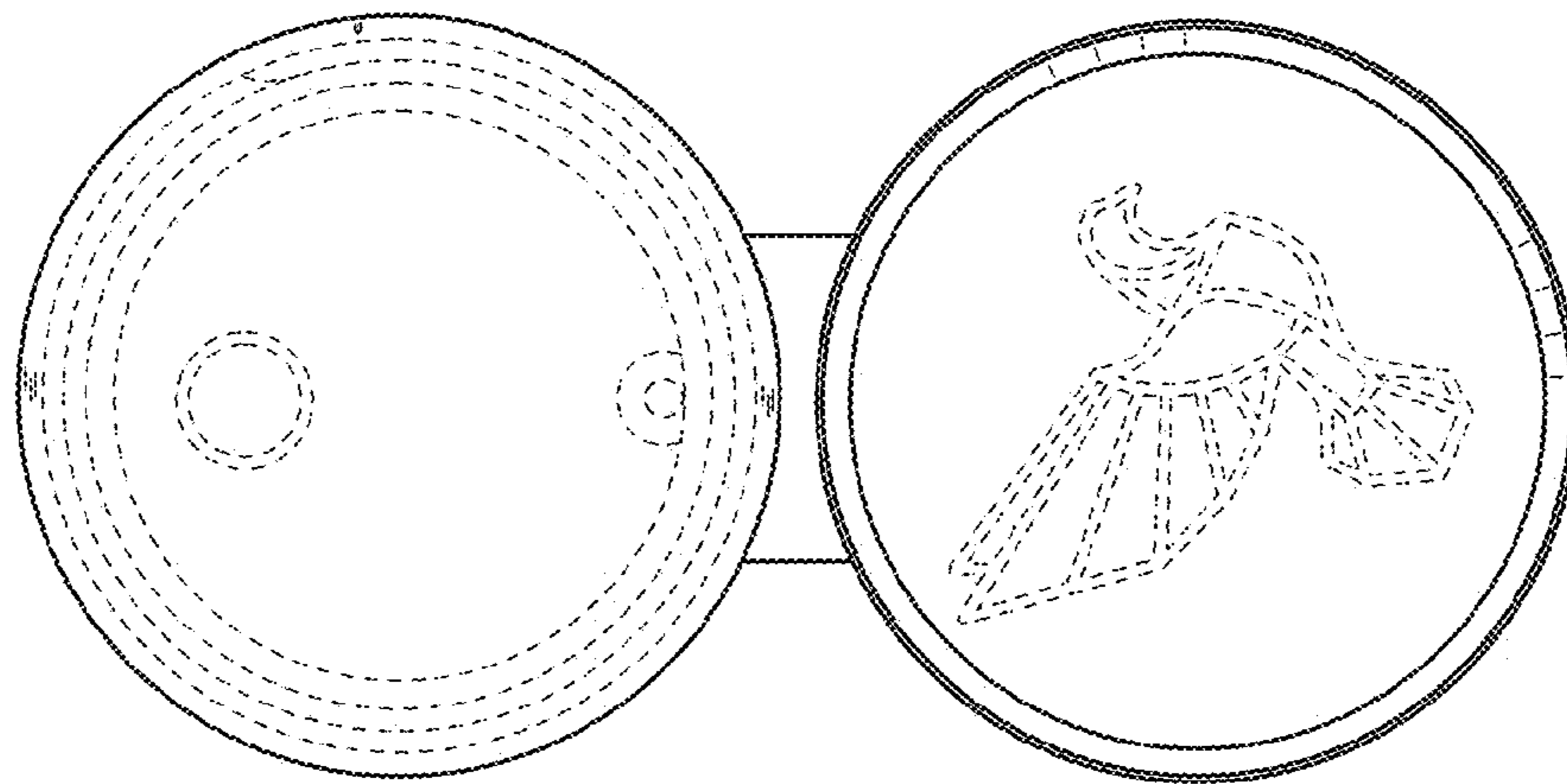


FIGURE 6

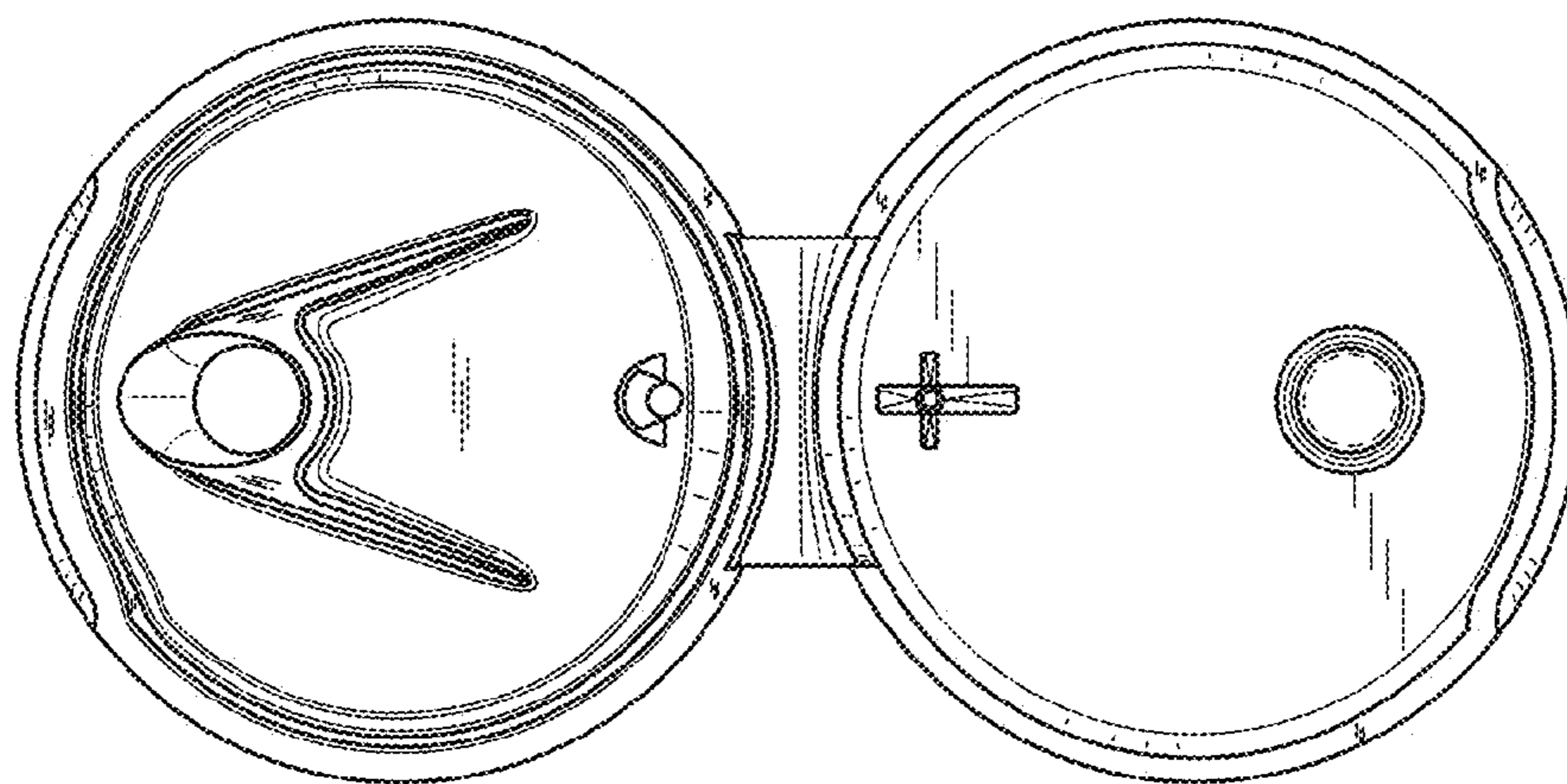


FIGURE 7