

US00D909869S

(12) **United States Design Patent**
Batzel

(10) **Patent No.:** **US D909,869 S**

(45) **Date of Patent:** **** Feb. 9, 2021**

- (54) **SAFETY CAP FOR A BOTTLE**
- (71) Applicant: **RB INNOVATIONS, LLC**, Moscow, PA (US)
- (72) Inventor: **Zachary (Rocky) Batzel**, Moscow, PA (US)
- (73) Assignee: **RB Innovations, LLC**, Moscow, PA (US)

D414,425 S *	9/1999	Crawford	D9/543
6,029,835 A *	2/2000	DeJonge	B65D 50/041
			215/206
D477,222 S *	7/2003	Pitassi	D9/449
D506,388 S *	6/2005	Pitassi	D9/445
D534,067 S *	12/2006	Tanner	D9/420
D539,642 S *	4/2007	Tanner	D9/424
7,275,653 B2	10/2007	Tedford, Jr.	
7,594,588 B2	9/2009	Auer	
D649,869 S *	12/2011	Gibson	D9/428
D683,626 S *	6/2013	Beck	D9/448

(Continued)

(**) Term: **15 Years**

Primary Examiner — Wendy L Arminio

(21) Appl. No.: **29/637,485**

(74) *Attorney, Agent, or Firm* — Olson & Cepuritis, Ltd.

(22) Filed: **Feb. 19, 2018**

(57) **CLAIM**

(51) **LOC (13) Cl.** **09-07**

The ornamental design for a safety cap for a bottle, as shown and described.

(52) **U.S. Cl.**

USPC **D9/449**

DESCRIPTION

(58) **Field of Classification Search**

USPC D9/414, 415, 432, 434, 435, 443–453, D9/455–457, 499, 503, 504, 682, 685, D9/686; D7/387, 391, 392, 392.1, 394, D7/396.1–396.4, 506, 507, 509–511, 538, D7/900; D3/202, 203.2, 294, 318; D28/91, 91.1

CPC .. A61J 1/00; A61J 1/1412; B65D 1/00; B65D 1/02; B65D 1/10; B65D 1/46; B65D 5/46; B65D 41/00; B65D 41/38; B65D 41/56; B65D 41/62; B65D 47/00; B65D 47/06; B65D 47/08; B65D 2251/00; B65D 2543/00046; B65D 2543/00092; B65D 2543/00296; B65D 2585/56; B65D 2585/545

See application file for complete search history.

FIG. 1 is a top perspective view of a safety cap for a bottle shown in a closed position and in a position of use on an unclaimed bottle drawn in broken lines;

FIG. 2 is a side perspective view of the safety cap for a bottle of FIG. 1 shown in a position of use on an unclaimed bottle drawn in broken lines;

FIG. 3 is a top plan view of the safety cap for a bottle of FIG. 1 but shown removed from the bottle;

FIG. 4 is a bottom plan view thereof;

FIG. 5 is a front end view thereof;

FIG. 6 is a back end view thereof;

FIG. 7 is a side end view thereof;

FIG. 8 is an opposite side end view thereof; and,

FIG. 9 is a top perspective view of the safety cap for a bottle of FIG. 1 shown with a sliding closure portion in an open position.

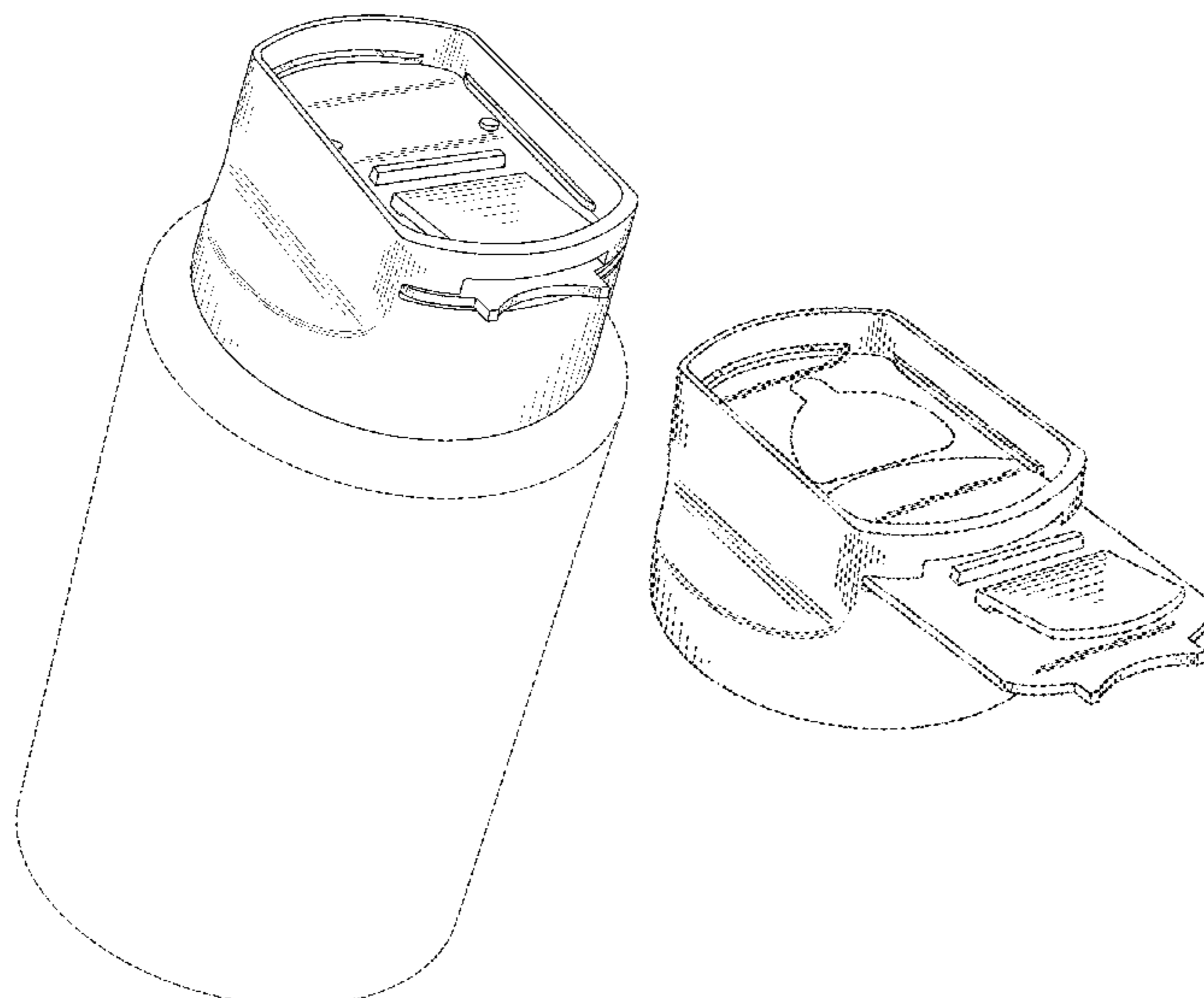
The broken lines illustrating a bottle in FIG. 1 and FIG. 2 depict environment and form no part of the claimed design. All other broken lines depict portions of the safety cap for a bottle that form no part of the claimed design.

(56) **References Cited**

U.S. PATENT DOCUMENTS

2,492,846 A	12/1949	Coyle et al.	
3,240,373 A	3/1966	Dulle	
D398,241 S *	9/1998	Krebs	D9/435

1 Claim, 6 Drawing Sheets



(56)

References Cited

U.S. PATENT DOCUMENTS

D691,045 S * 10/2013 Toh D9/449
D694,624 S * 12/2013 Crawford D9/449
9,365,333 B2 6/2016 Batzel et al.
D804,903 S * 12/2017 Mason D7/510
D804,904 S * 12/2017 Noveletsky D7/510
9,919,837 B2 3/2018 Batzel
D846,984 S * 4/2019 Bos D9/448
D878,920 S * 3/2020 Batzel D9/522
2006/0138145 A1* 6/2006 Toth B65D 50/04
220/345.2
2015/0090686 A1* 4/2015 Batzel B65D 43/20
215/201
2016/0297580 A1* 10/2016 Batzel B65D 50/04

* cited by examiner

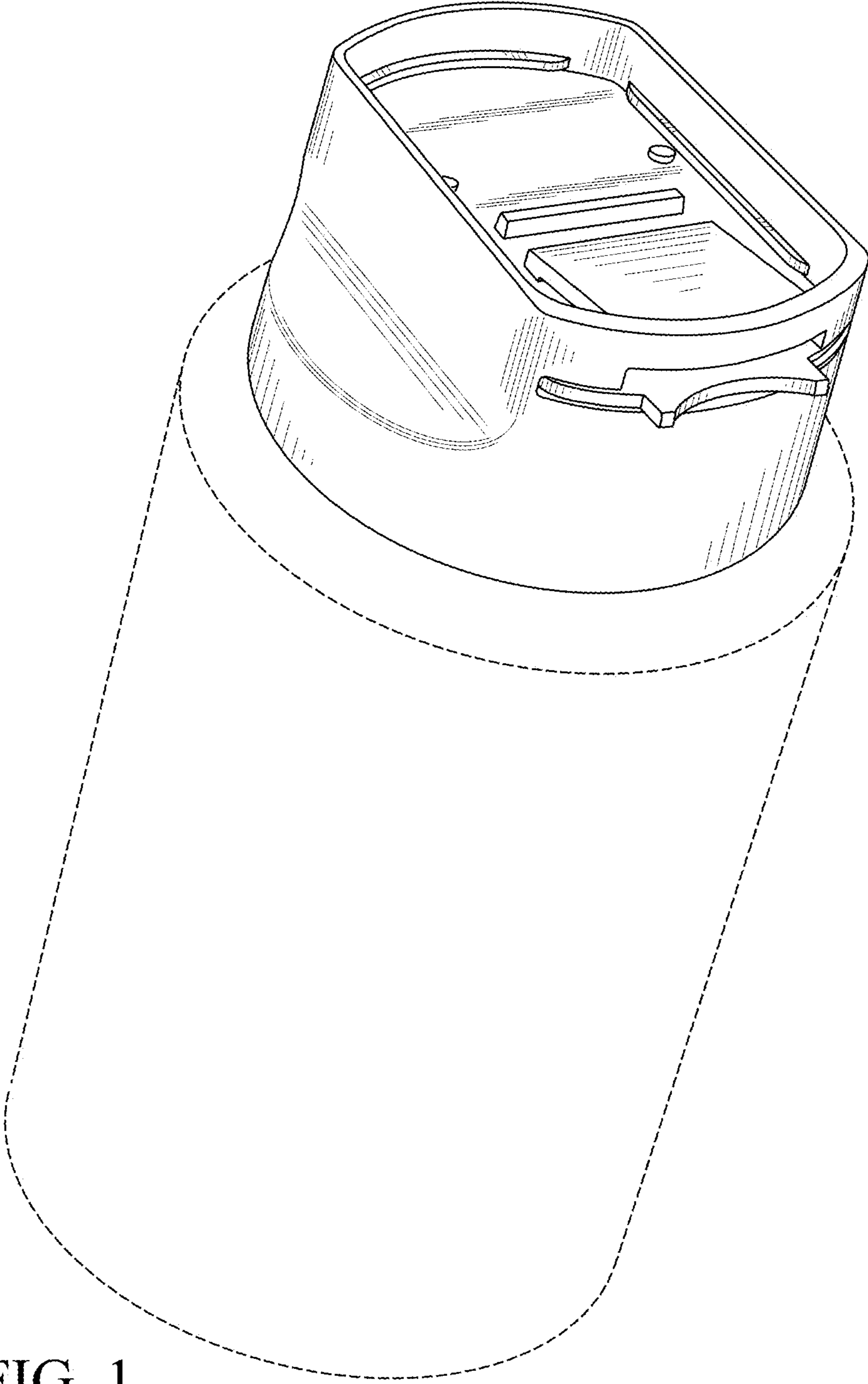


FIG. 1

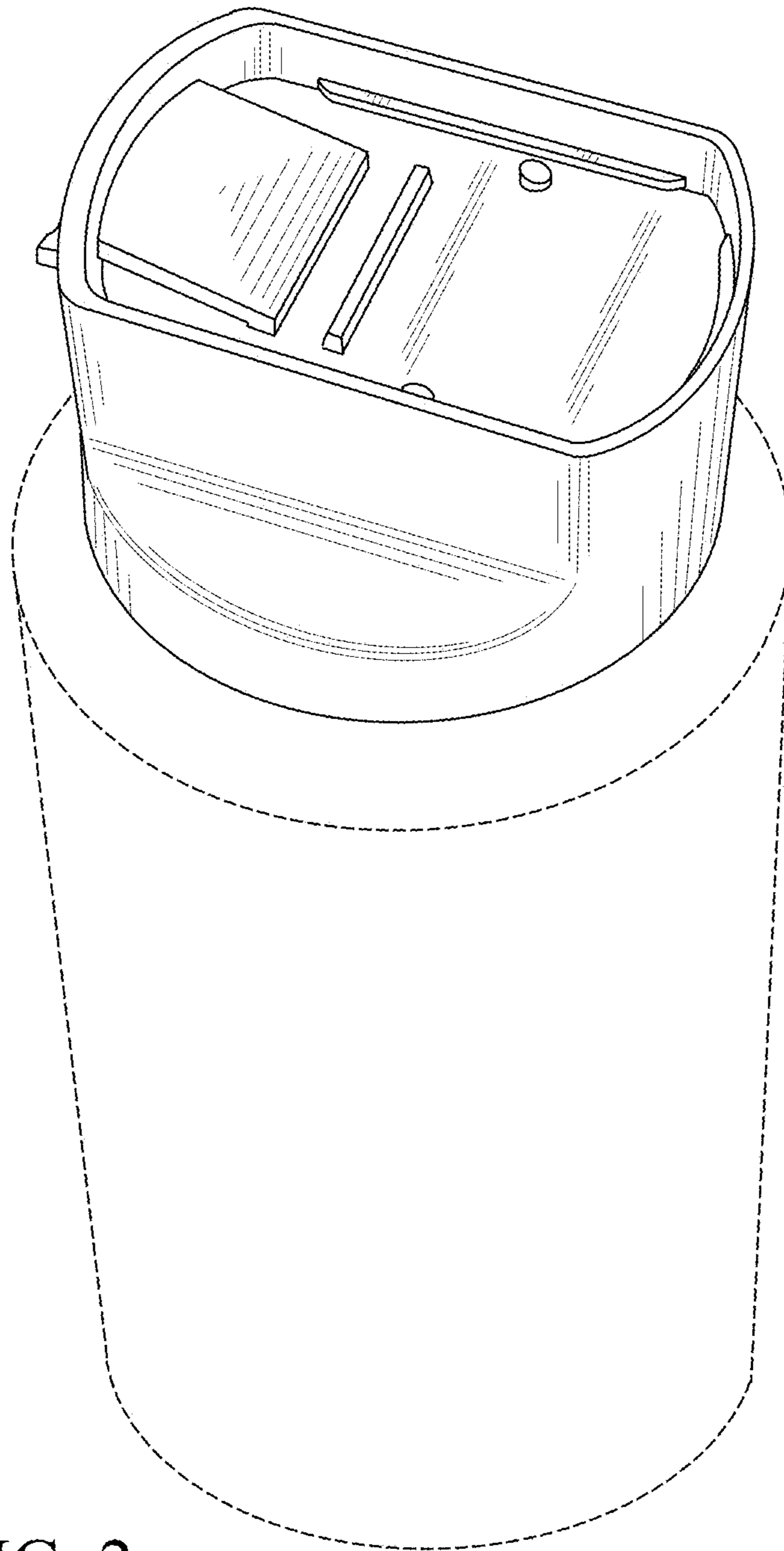


FIG. 2

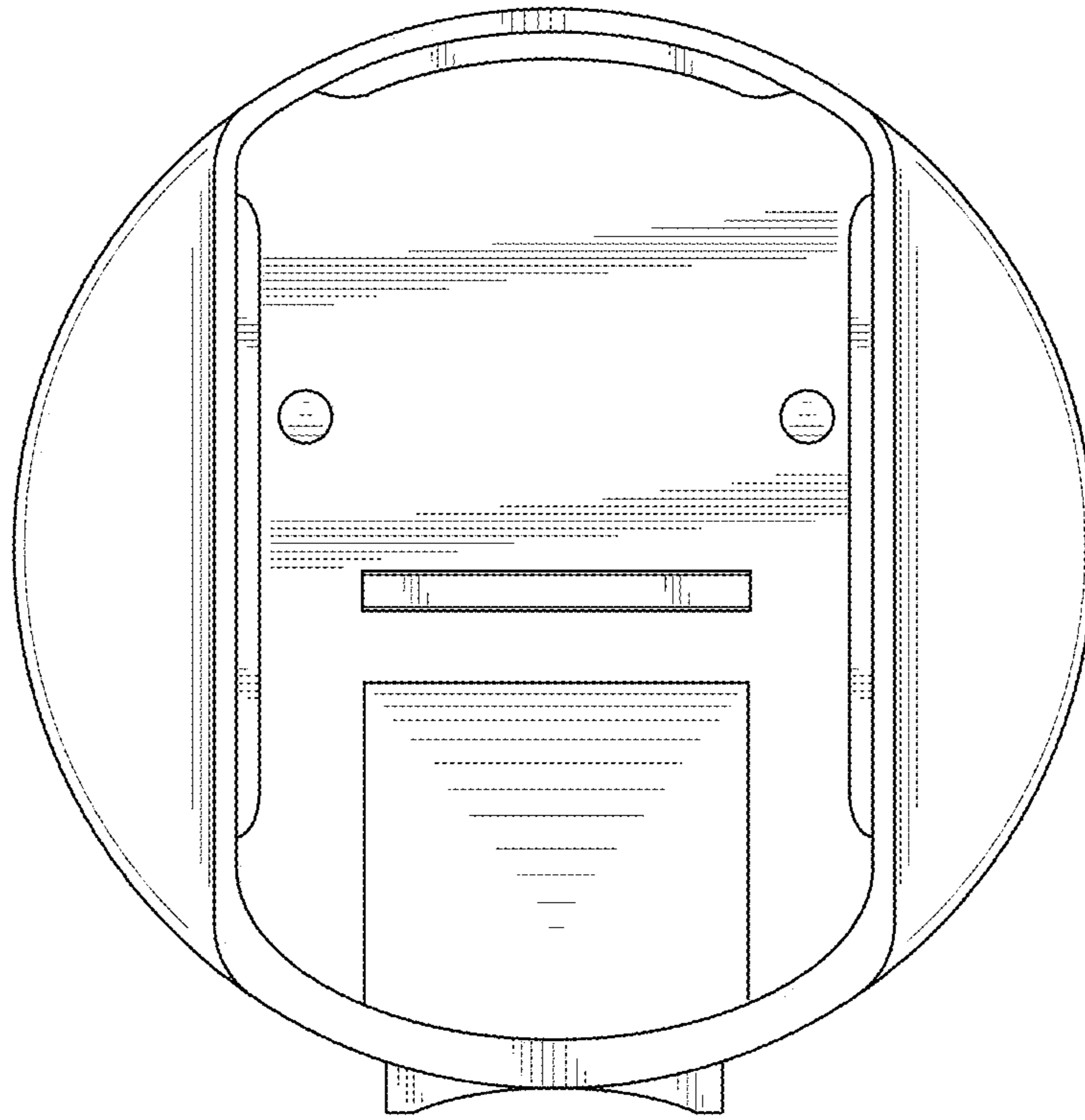


FIG. 3

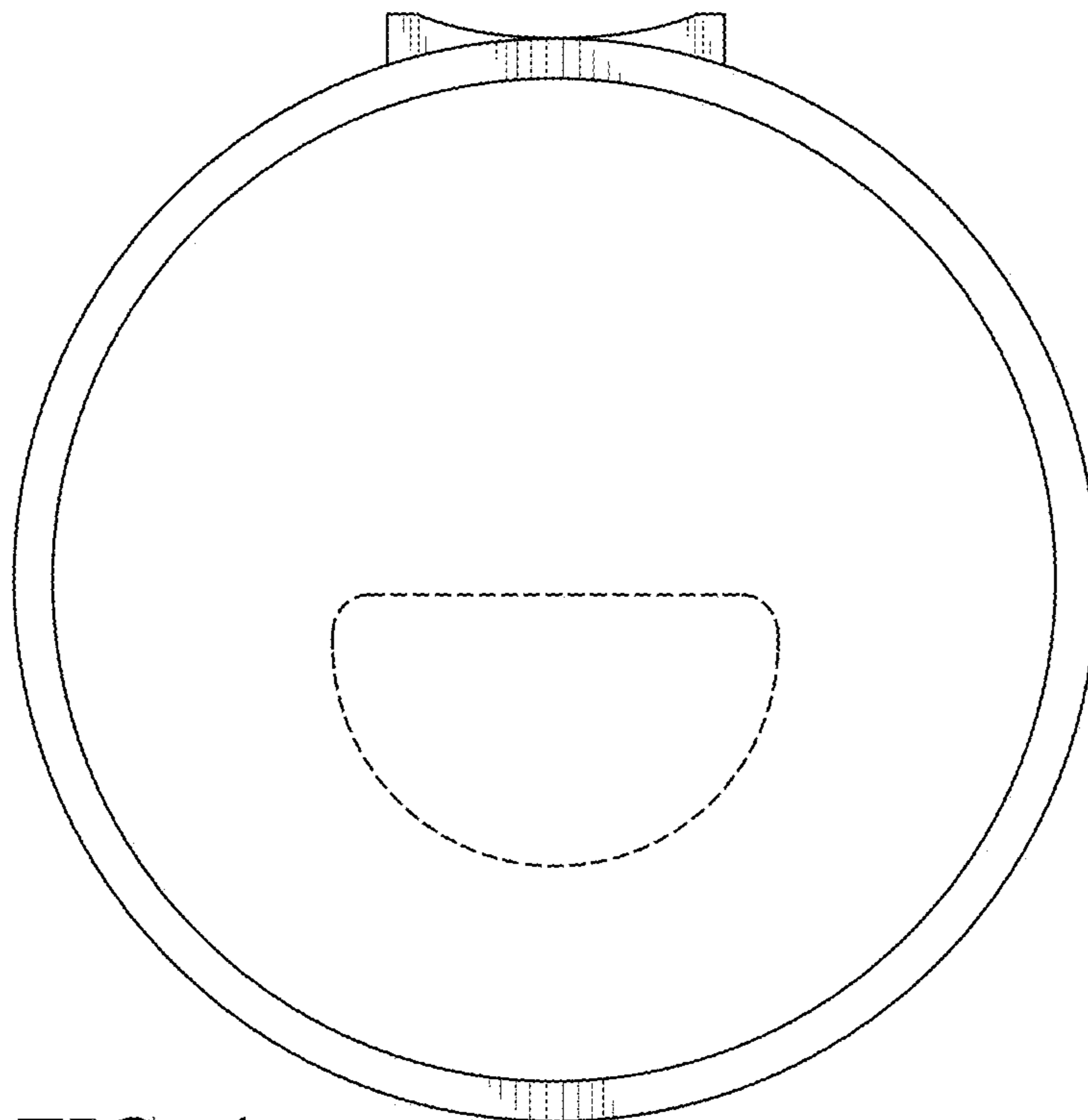


FIG. 4

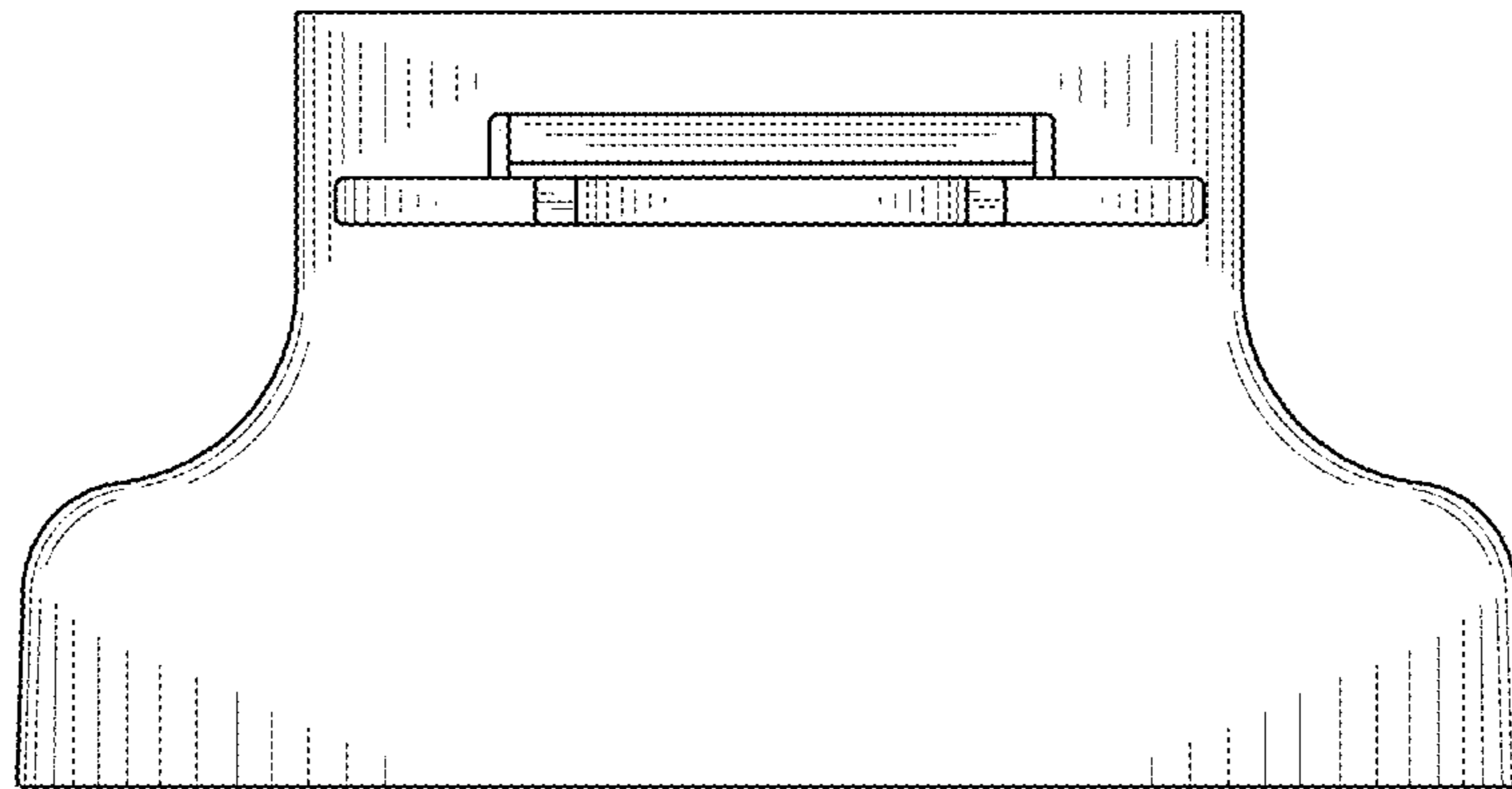


FIG. 5

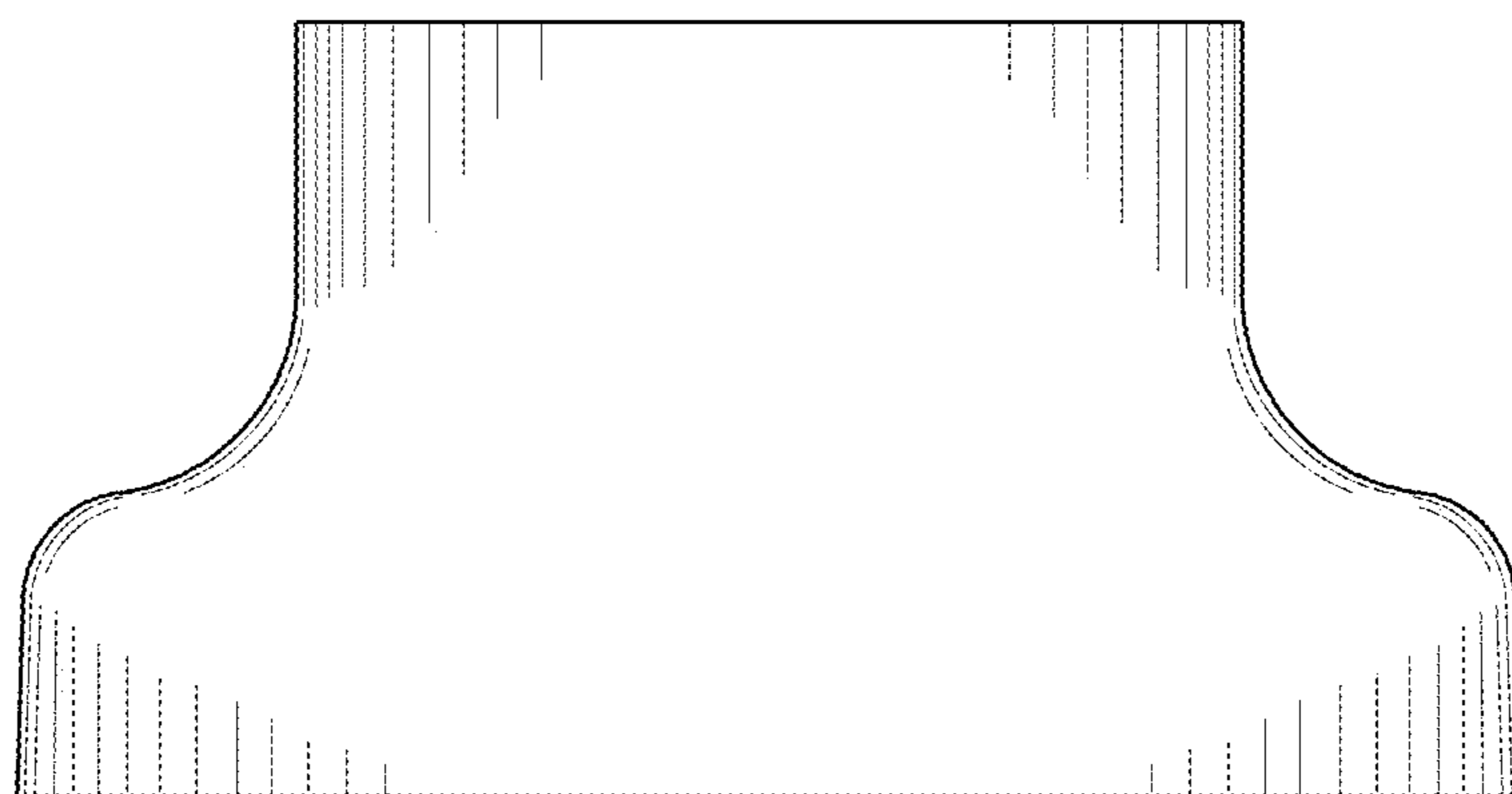


FIG. 6

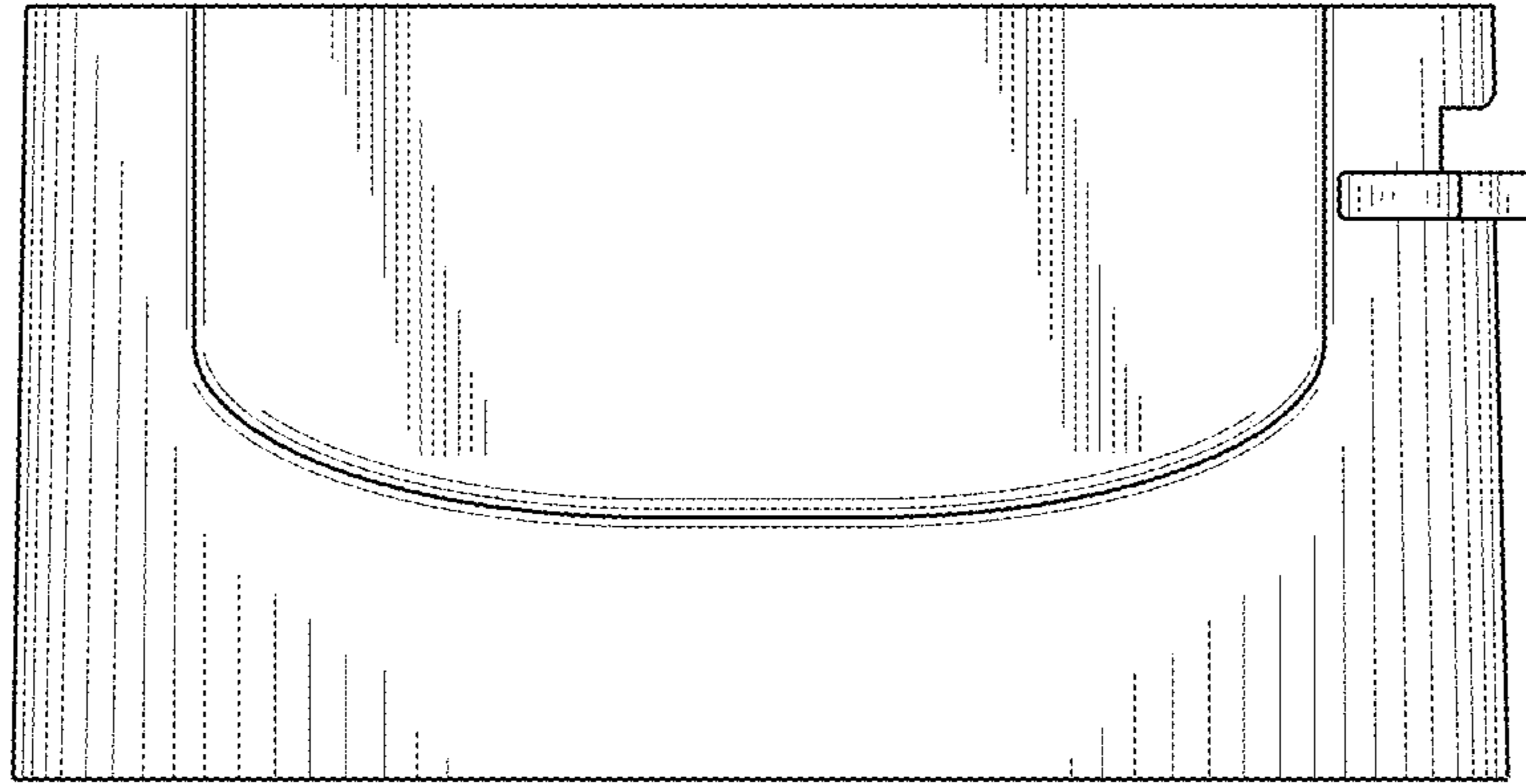


FIG. 7

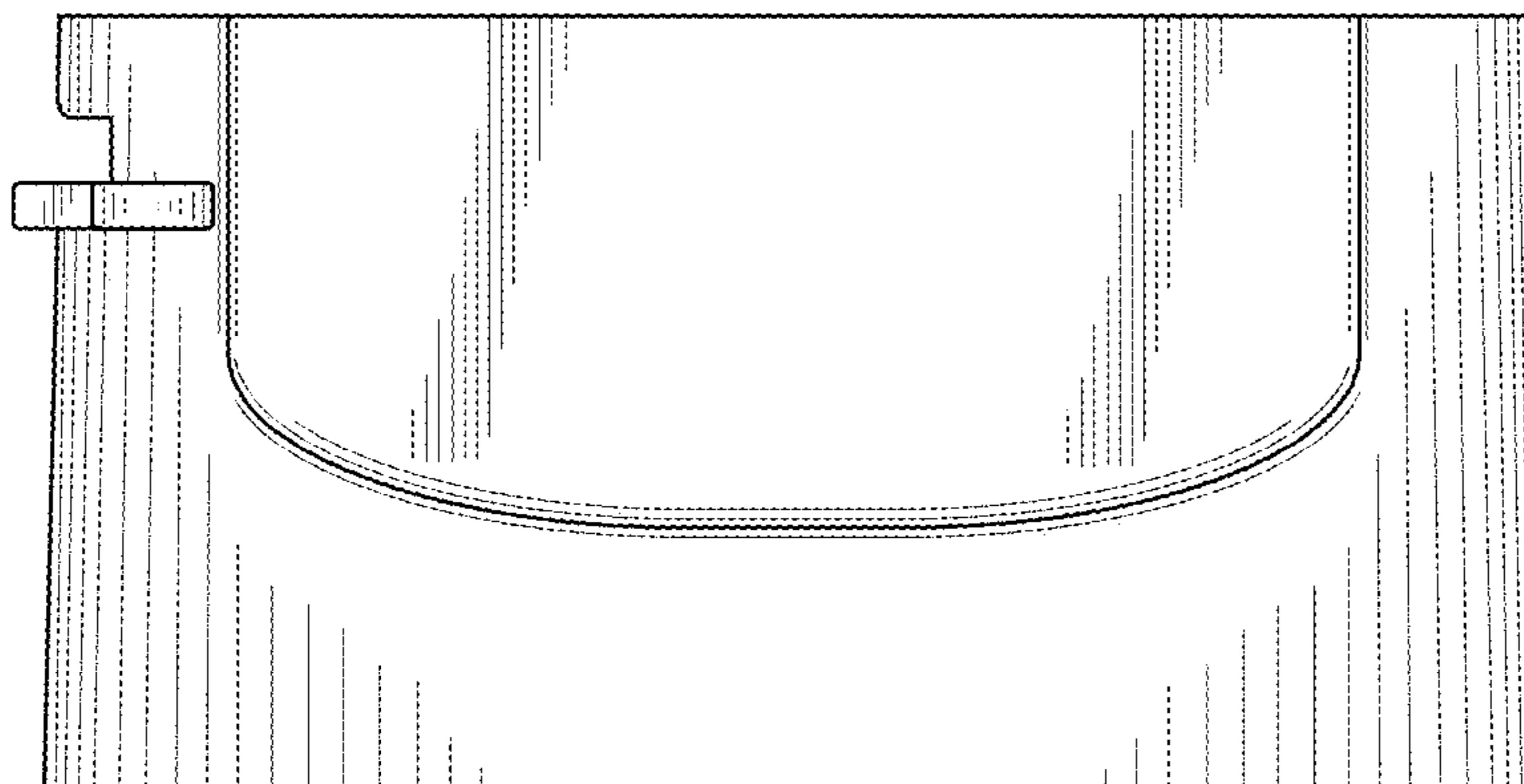


FIG. 8

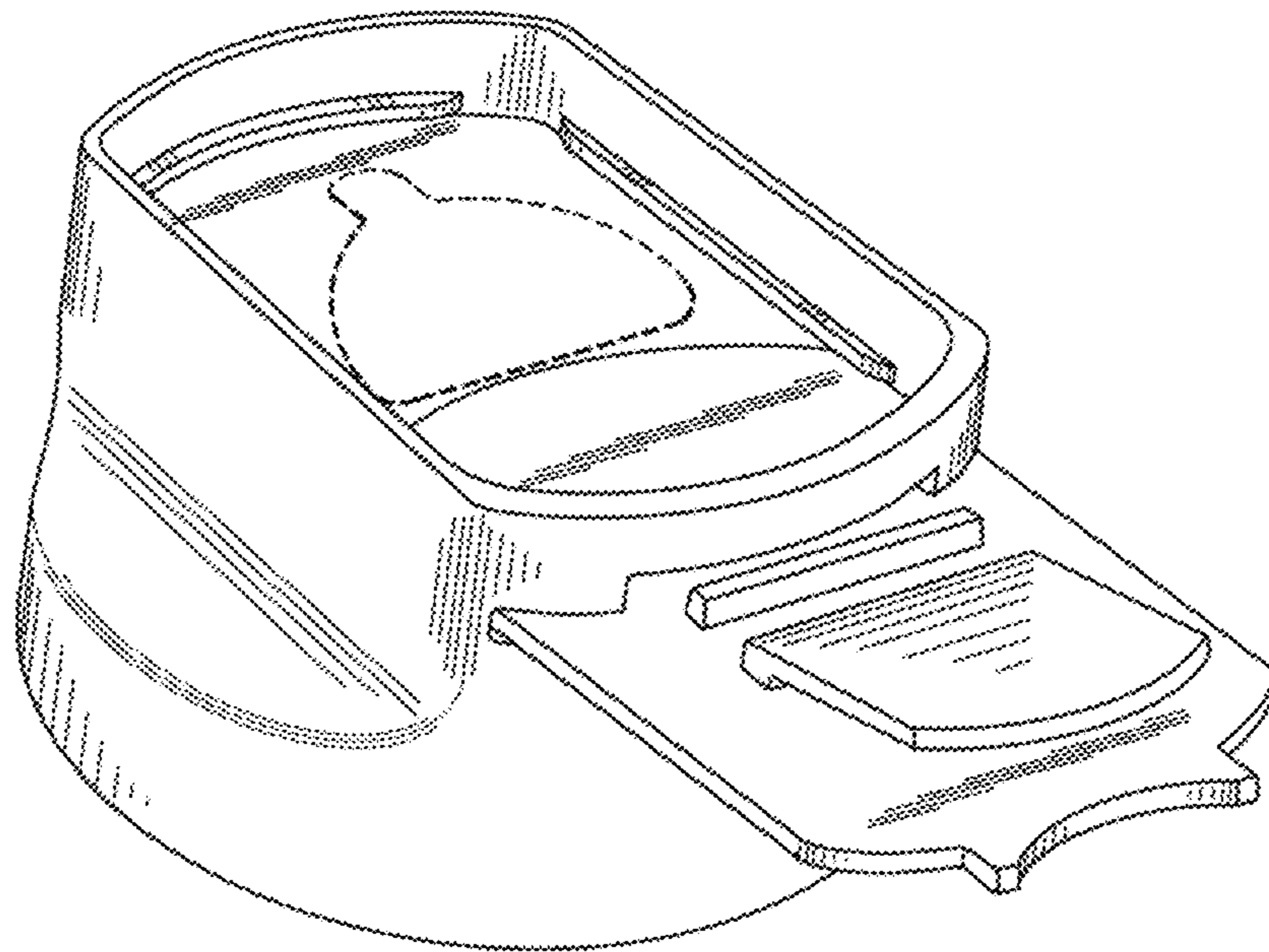


FIG. 9