

US00D909868S

(12) **United States Design Patent** (10) **Patent No.:** **US D909,868 S**
Jensen (45) **Date of Patent:** **** Feb. 9, 2021**

(54) **PIVOTING APPLICATOR ASSEMBLY FOR SEALANTS AND ADHESIVES**

(71) Applicant: **James W. Jensen**, St. George, UT (US)

(72) Inventor: **James W. Jensen**, St. George, UT (US)

(**) Term: **15 Years**

(21) Appl. No.: **29/691,160**

(22) Filed: **May 14, 2019**

Related U.S. Application Data

(63) Continuation of application No. 15/969,592, filed on May 2, 2018, now abandoned.

(51) **LOC (13) Cl.** **09-07**

(52) **U.S. Cl.**
USPC **D9/447; D8/14.1**

(58) **Field of Classification Search**
USPC D9/414, 424, 425, 428, 432, 434, 435,
D9/436, 439, 440, 443–450, 452–457,
(Continued)

(56) **References Cited**

U.S. PATENT DOCUMENTS

1,959,774 A * 5/1934 Walsh B43M 11/06
401/264
3,809,299 A * 5/1974 Sand B65D 47/242
222/521

(Continued)

Primary Examiner — Wendy L Arminio

(74) *Attorney, Agent, or Firm* — Gurr Brande & Spendlove, PLLC; Robert A. Gurr

(57) **CLAIM**

The ornamental design for a pivoting applicator assembly for sealants and adhesives, as shown and described.

DESCRIPTION

FIG. 1 is a bottom perspective view of the pivoting applicator assembly for sealants and adhesives in an assembled configuration;

FIG. 2 is a top perspective view of the pivoting applicator assembly for sealants and adhesives in an assembled configuration;

FIG. 3 is an exploded bottom perspective view of the pivoting applicator assembly for sealants and adhesives;

FIG. 4 is an exploded top perspective view of the pivoting applicator assembly for sealants and adhesives;

FIG. 5 is a front elevation view of the pivoting applicator assembly for sealants and adhesives in an assembled configuration;

FIG. 6 is a right side elevation view of the pivoting applicator assembly for sealants and adhesives in an assembled configuration, the left side being a mirror thereof.

FIG. 7 is a top plan view of the pivoting applicator assembly for sealants and adhesives in an assembled configuration;

FIG. 8 is a bottom plan view of the pivoting applicator assembly for sealants and adhesives in an assembled configuration;

FIG. 9 is a bottom perspective view of the base member of the pivoting applicator assembly for sealants and adhesives;

FIG. 10 is a top perspective view of the base member of the pivoting applicator assembly for sealants and adhesives;

FIG. 11 is a side elevation view of the base member of the pivoting applicator assembly for sealants and adhesives;

FIG. 12 is a top plan view of the base member of the pivoting applicator assembly for sealants and adhesives;

FIG. 13 is a bottom plan view of the base member of the pivoting applicator assembly for sealants and adhesives;

FIG. 14 is a bottom perspective view of the pivoting member of the pivoting applicator assembly for sealants and adhesives;

FIG. 15 is a top perspective view of the pivoting member of the pivoting applicator assembly for sealants and adhesives;

FIG. 16 is a front elevation view of the pivoting member of the pivoting applicator assembly for sealants and adhesives;

FIG. 17 is a right side elevation view of the pivoting member of the pivoting applicator assembly for sealants and adhesives, the left side being a mirror image thereof;

FIG. 18 is a top plan view of the pivoting member of the pivoting applicator assembly for sealants and adhesives;

FIG. 19 is a bottom plan view of the pivoting member of the pivoting applicator assembly for sealants and adhesives;

and,

(Continued)

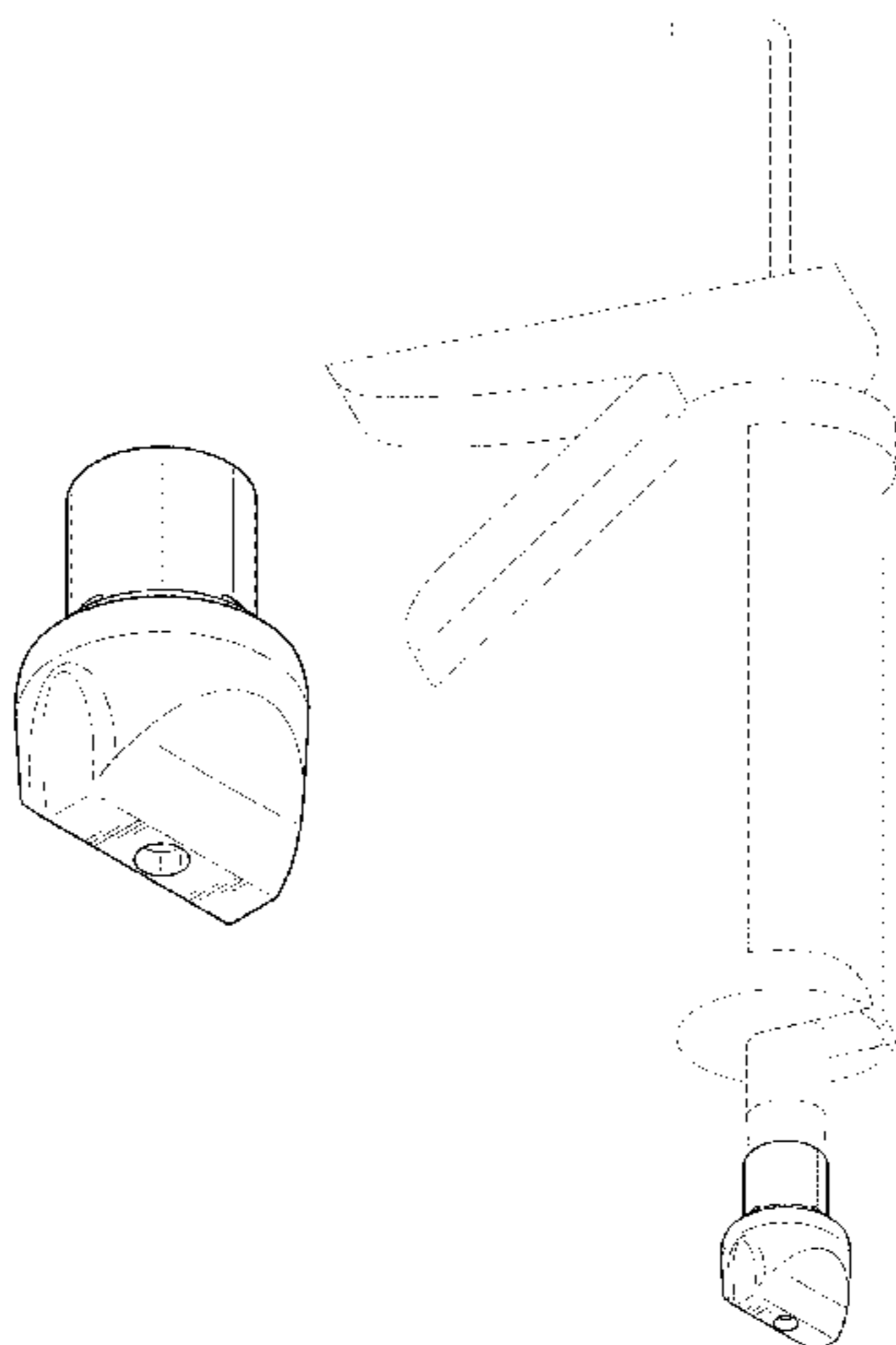


FIG. 20 is a perspective view of the pivoting applicator assembly for sealants and adhesives in use. The broken lines shown in the drawings are for the purpose of illustrating environmental matter and form no part of the claimed design.

1 Claim, 6 Drawing Sheets

(58) **Field of Classification Search**

USPC D9/499, 503, 516, 682, 685, 686;
 D7/387, 391, 392, 392.1, 396.2, 510, 511,
 D7/538, 900; D3/202, 203.2; D28/91,
 D28/91.1; D8/14.1, 45
 CPC .. A61J 1/00; A61J 1/1412; B65D 1/00; B65D
 1/02; B65D 1/10; B65D 1/46; B65D
 5/46; B65D 41/00; B65D 41/38; B65D
 41/56; B65D 41/62; B65D 47/00; B65D
 47/06; B65D 47/08; B65D 2251/00;
 B65D 2543/00046; B65D 2543/00092;
 B65D 2543/00296

See application file for complete search history.

(56) **References Cited**

U.S. PATENT DOCUMENTS

4,695,185 A * 9/1987 Spells E01C 23/0973
 404/107
 4,767,034 A * 8/1988 Cramer B65D 47/42
 222/525

D333,788 S * 3/1993 Geschwender D9/435
 D341,227 S * 11/1993 Lang D28/76
 D358,295 S * 5/1995 Moench D7/398
 D423,355 S * 4/2000 Loeb D9/447
 D423,358 S * 4/2000 Kreiseder D9/449
 D435,793 S * 1/2001 Kreiseder D9/443
 D440,495 S * 4/2001 Hathaway D9/450
 D521,863 S * 5/2006 Davis D9/447
 D523,749 S * 6/2006 Kolanus D9/448
 D530,165 S * 10/2006 Tanaka D8/14.1
 D562,625 S * 2/2008 Alikhan D7/392.1
 D580,264 S * 11/2008 Szasz D9/447
 D627,595 S * 11/2010 Jennings D7/392.1
 D677,535 S * 3/2013 Scott D8/14.1
 D721,272 S * 1/2015 Wichowski D9/447
 D721,582 S * 1/2015 Son D9/448
 D762,474 S * 8/2016 Chung D9/449
 D797,534 S * 9/2017 Pentland D8/45
 D800,555 S * 10/2017 Baron D9/448
 D810,565 S * 2/2018 Johnson D9/447
 D813,669 S * 3/2018 Pentland D9/447
 D815,944 S * 4/2018 Lind D9/447
 D831,484 S * 10/2018 Jung D9/447
 D831,485 S * 10/2018 Baron D9/448
 D855,892 S * 8/2019 Lee D28/88
 D860,788 S * 9/2019 Abadilla D9/447
 2004/0262916 A1 * 12/2004 Byron B65D 51/1644
 285/276
 2016/0214121 A1 * 7/2016 Ullett B05C 17/00516
 2018/0318869 A1 * 11/2018 Jensen B05C 17/00503

* cited by examiner

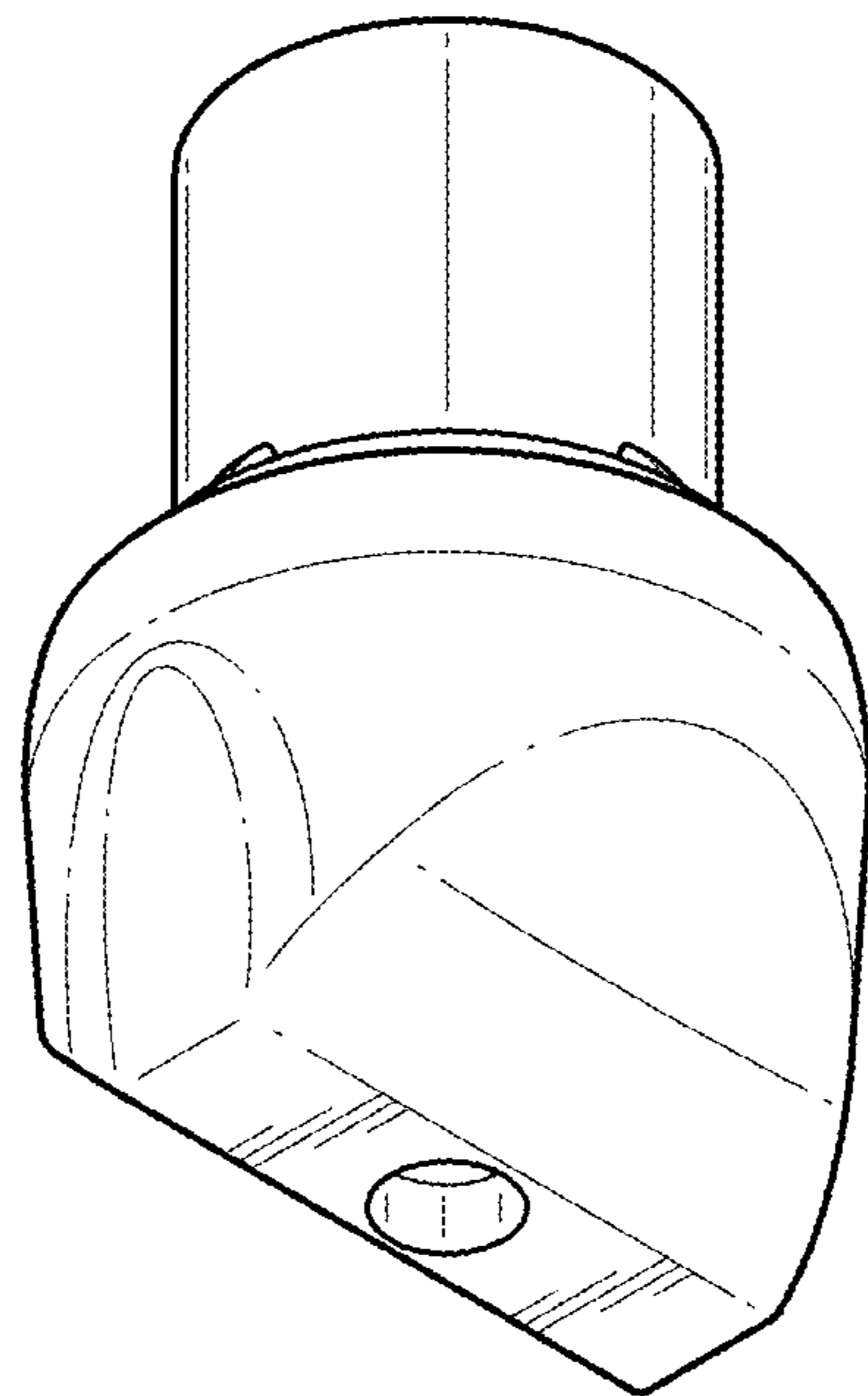


FIG. 1

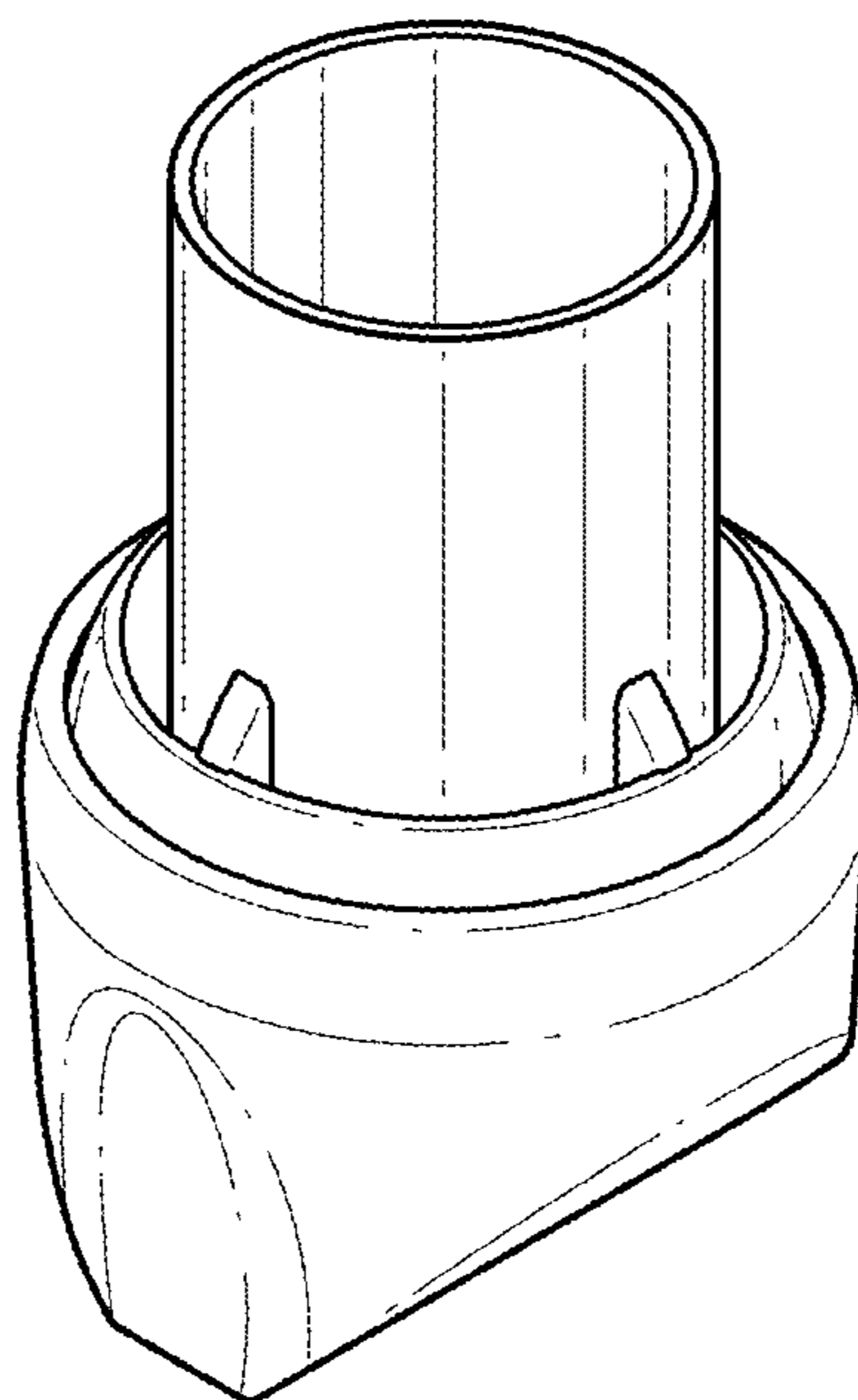


FIG. 2

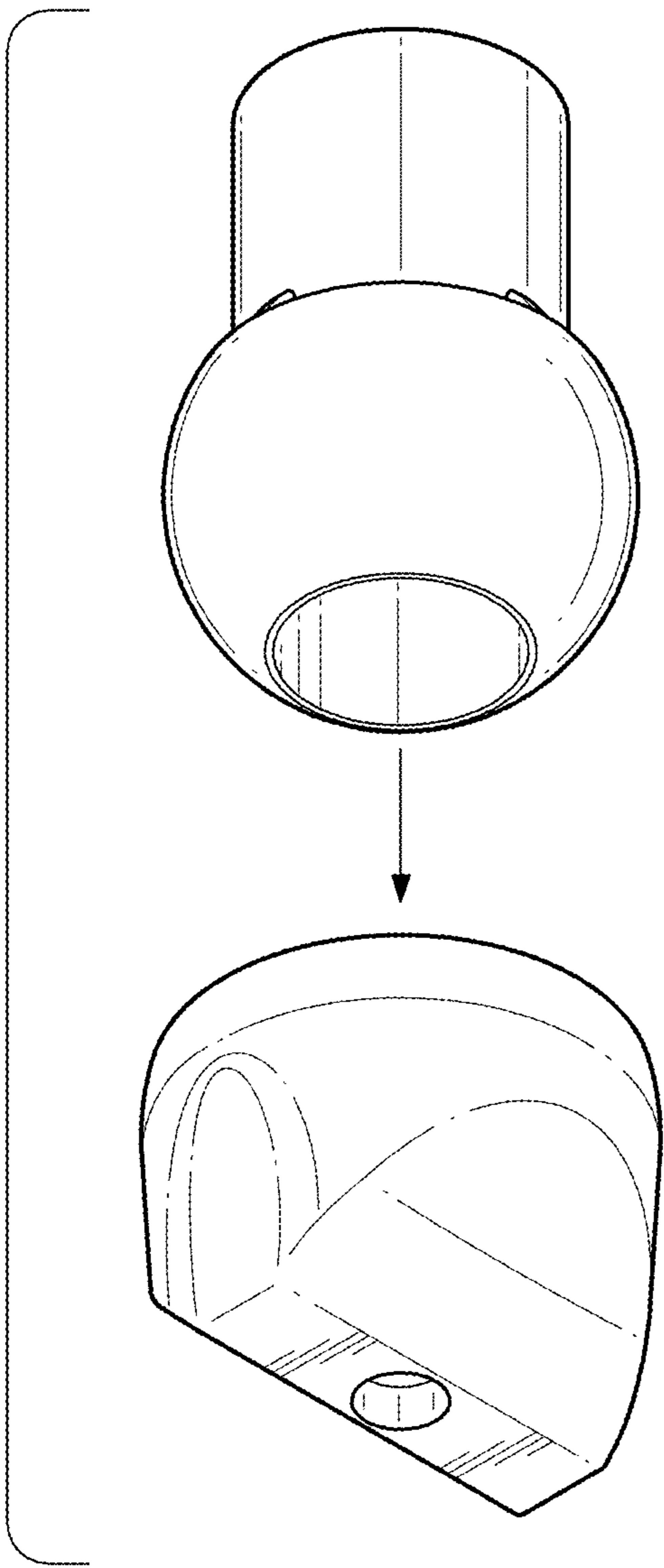


FIG. 3

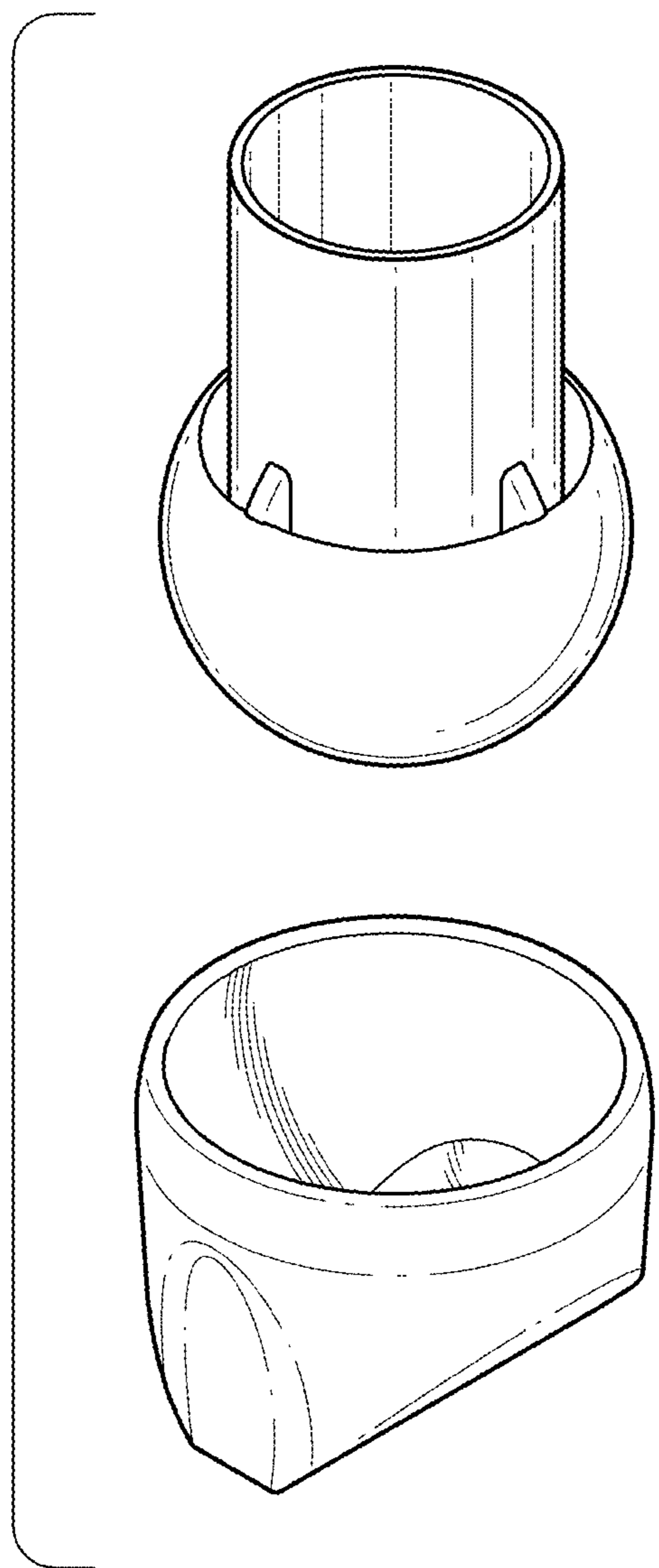


FIG. 4

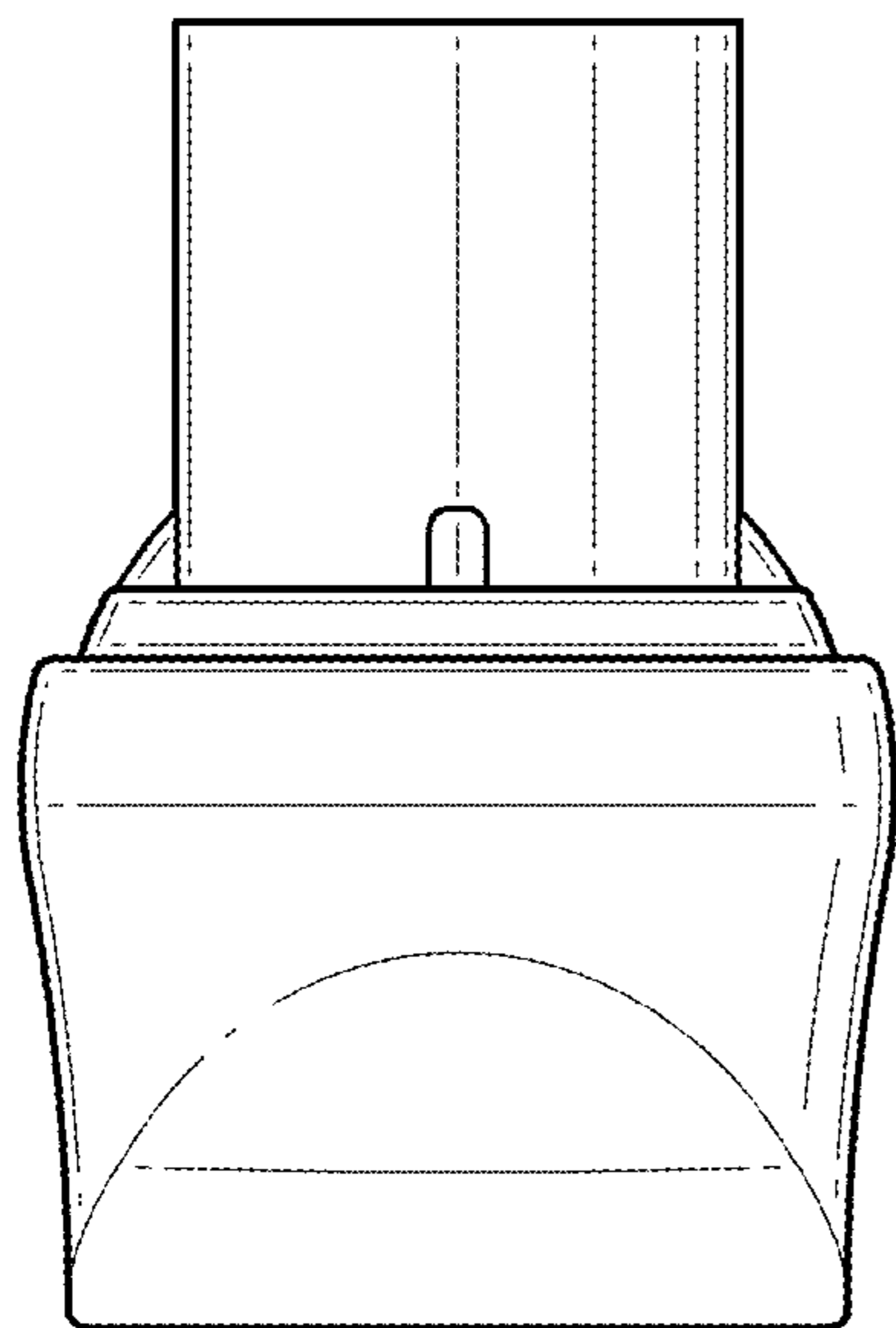


FIG. 5

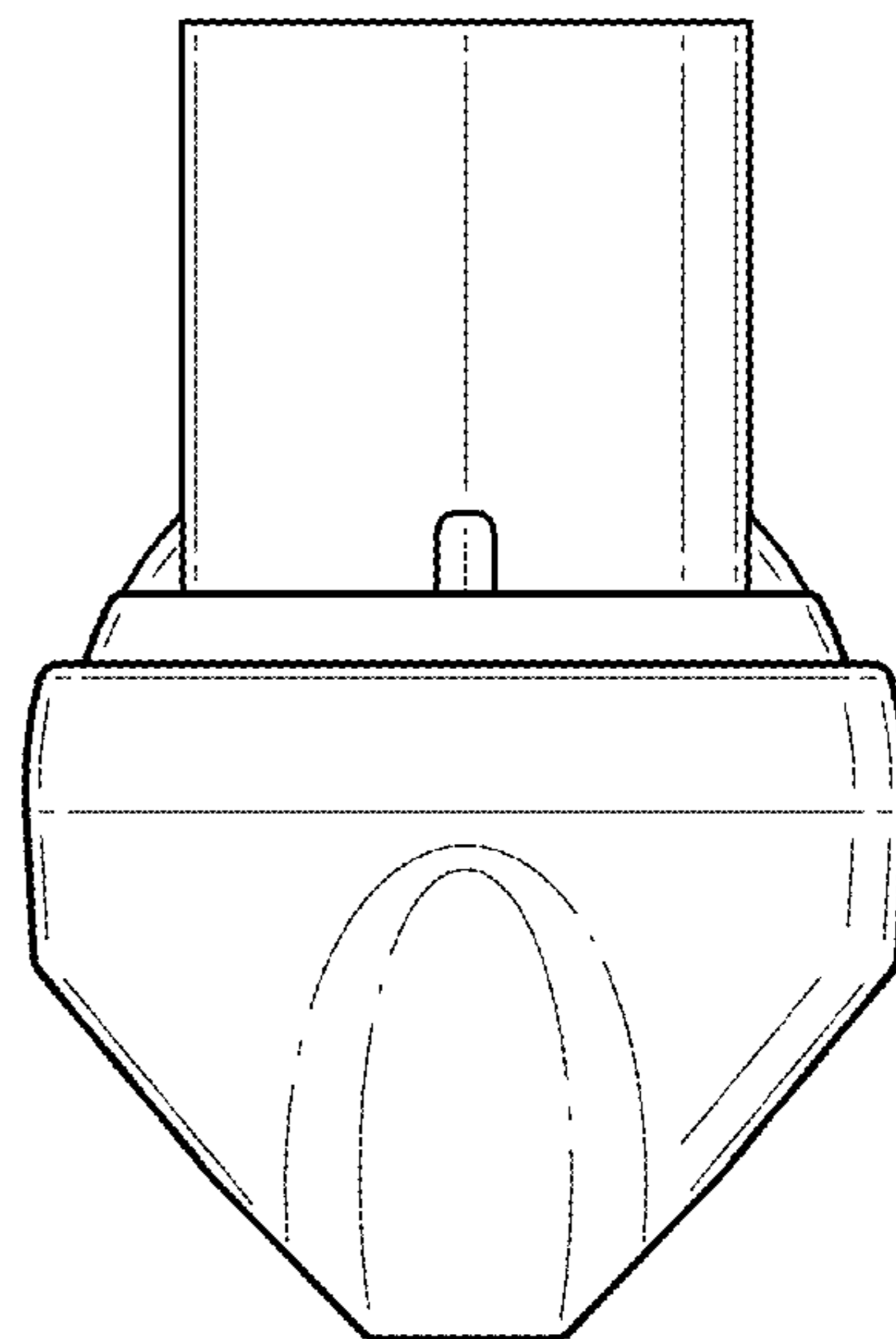


FIG. 6

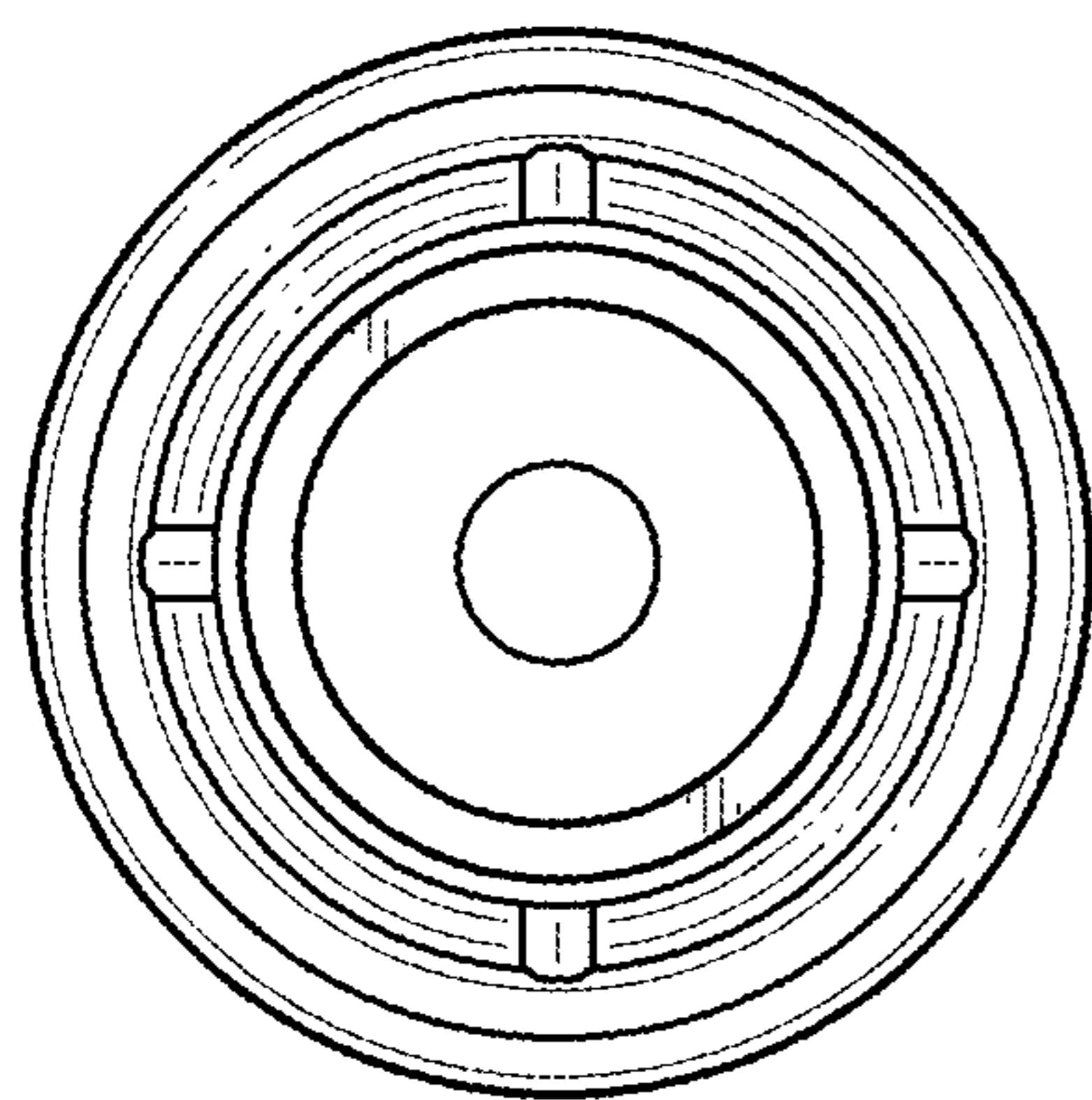


FIG. 7

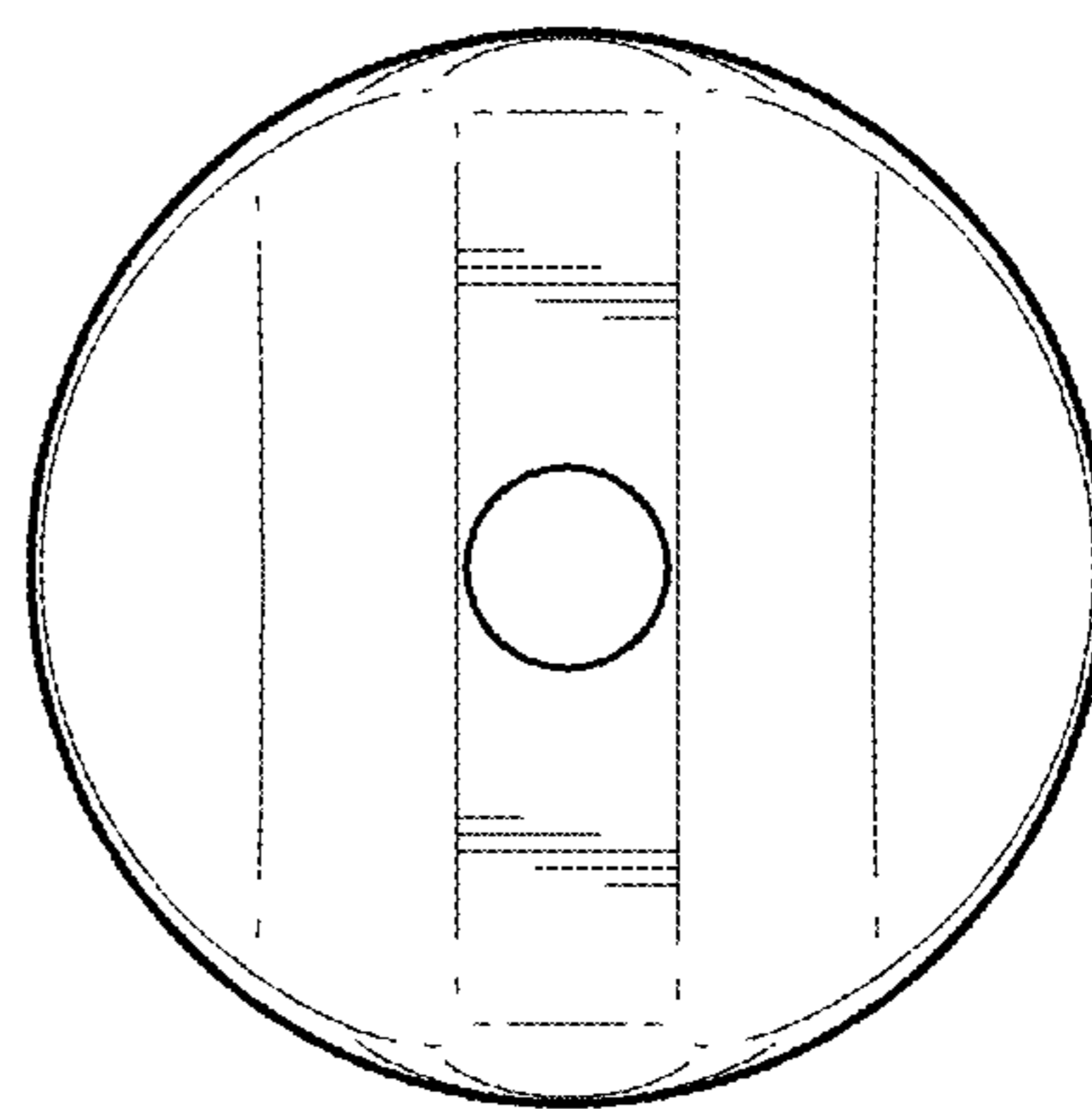


FIG. 8

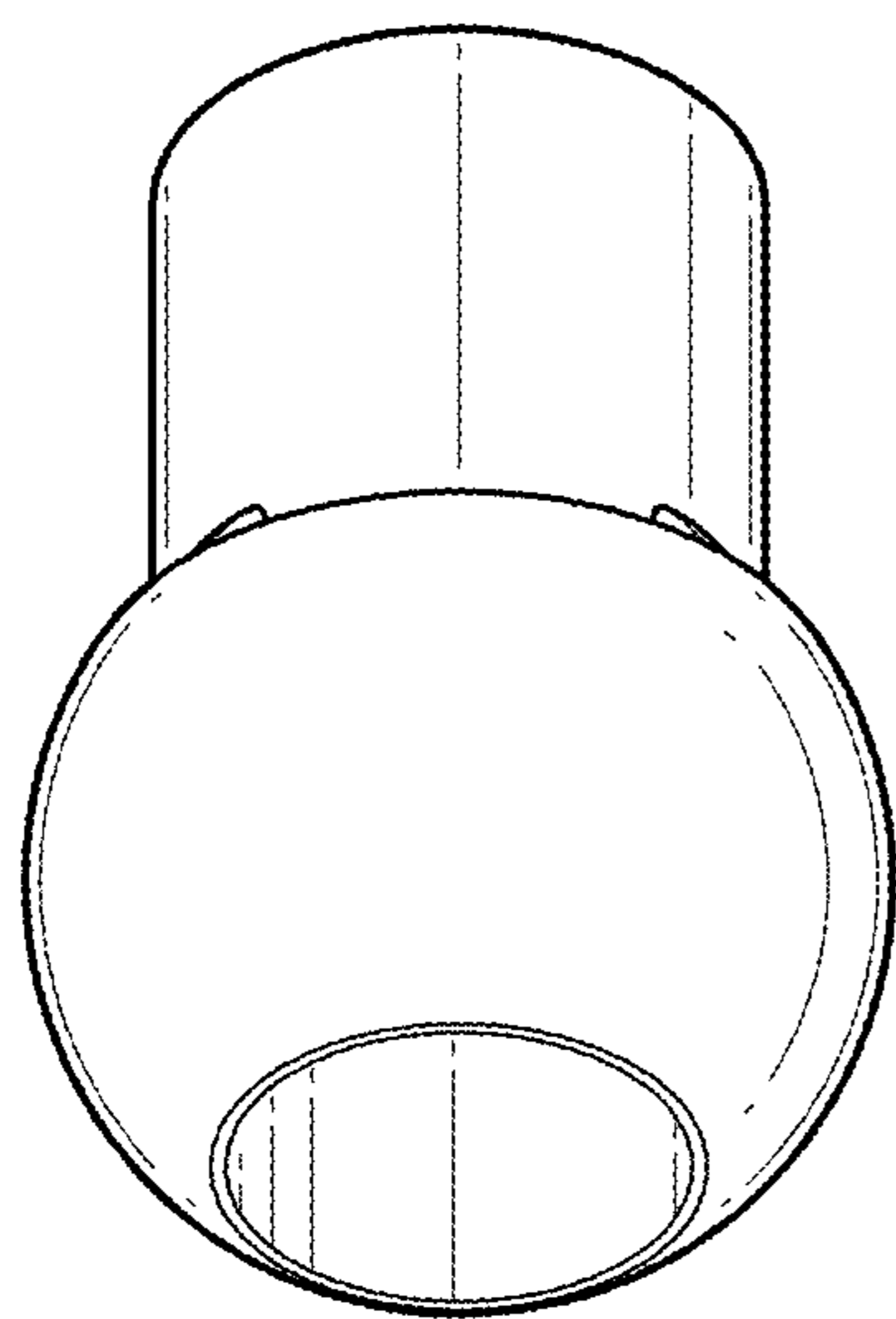


FIG. 9

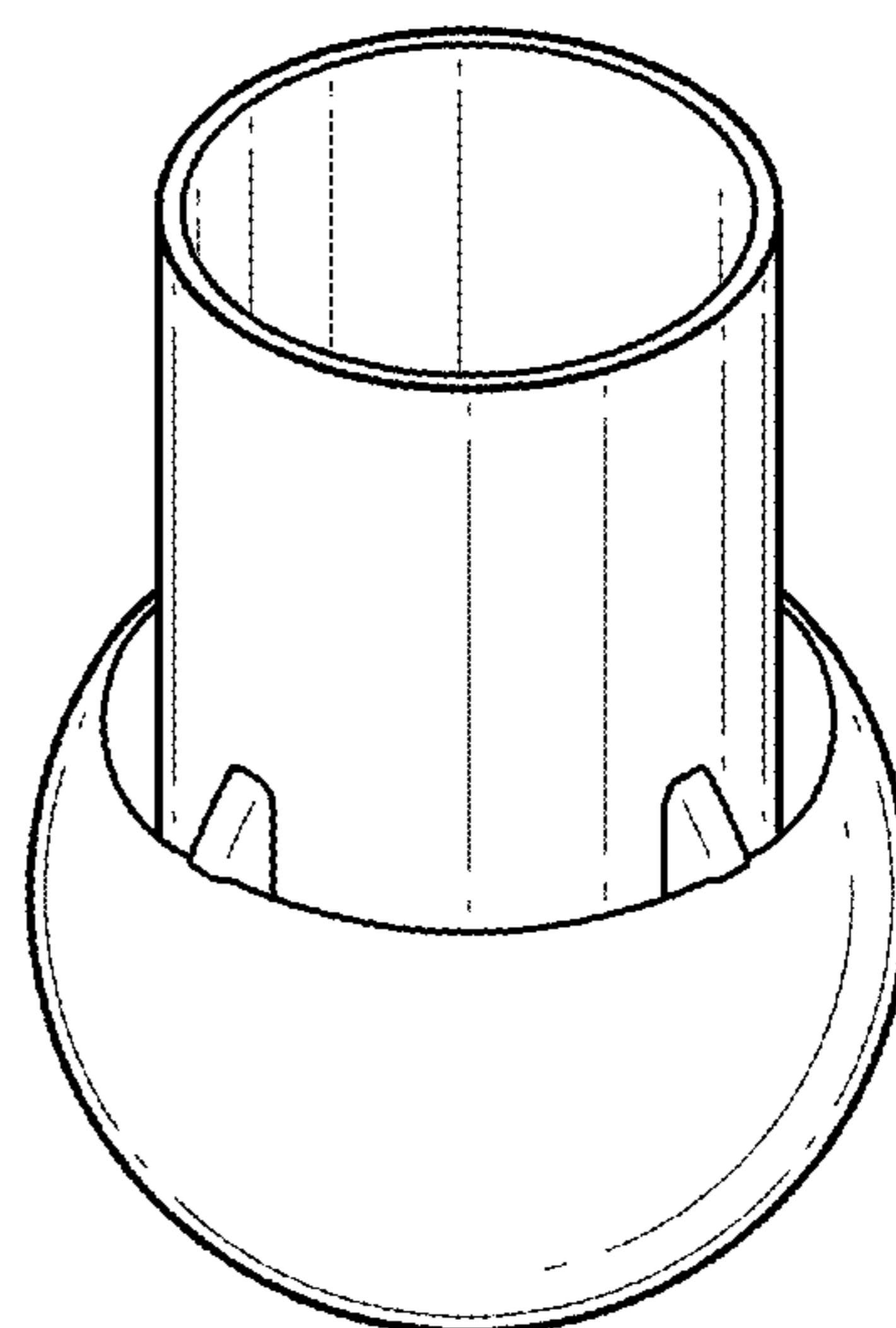


FIG. 10

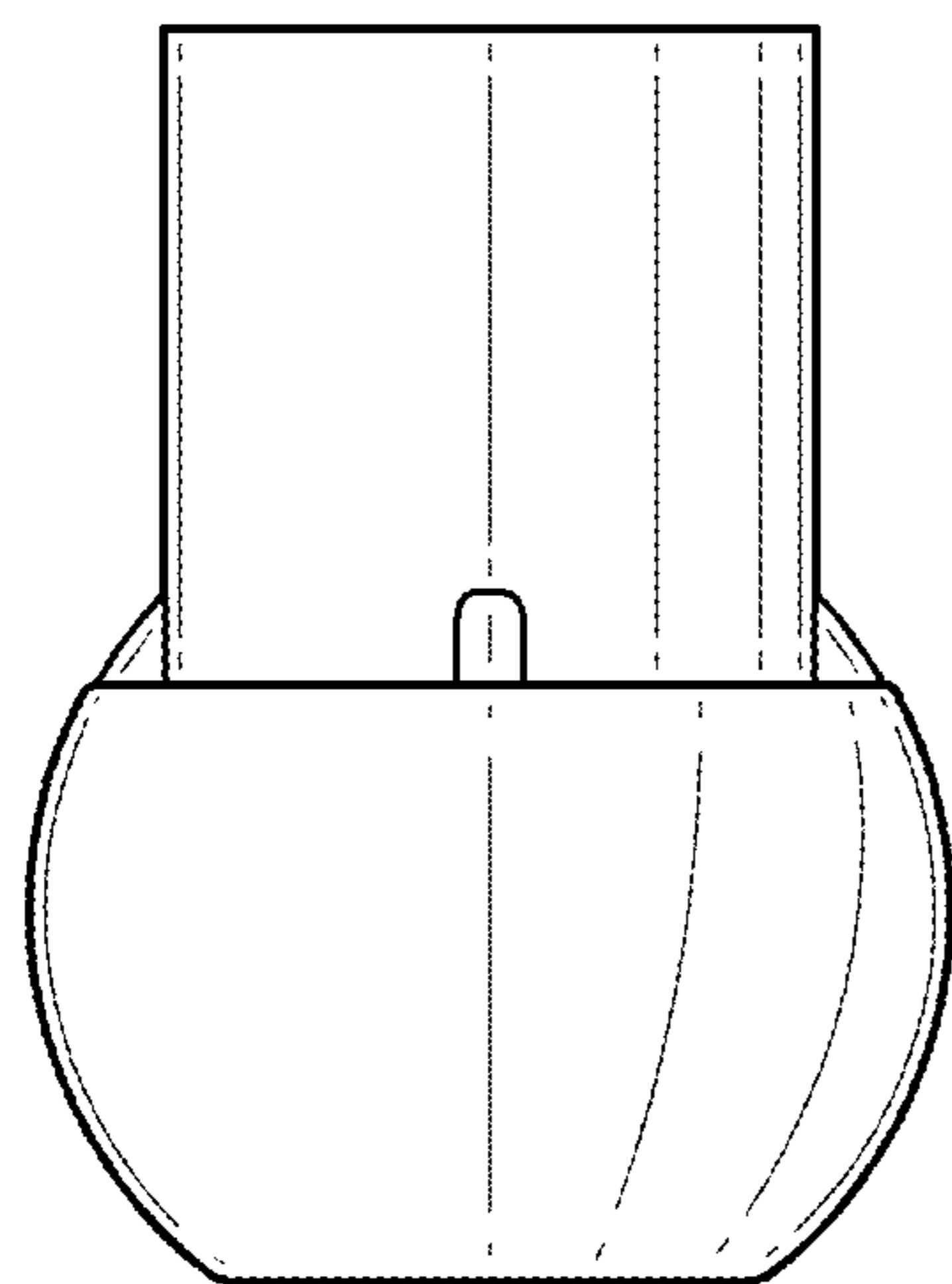


FIG. 11

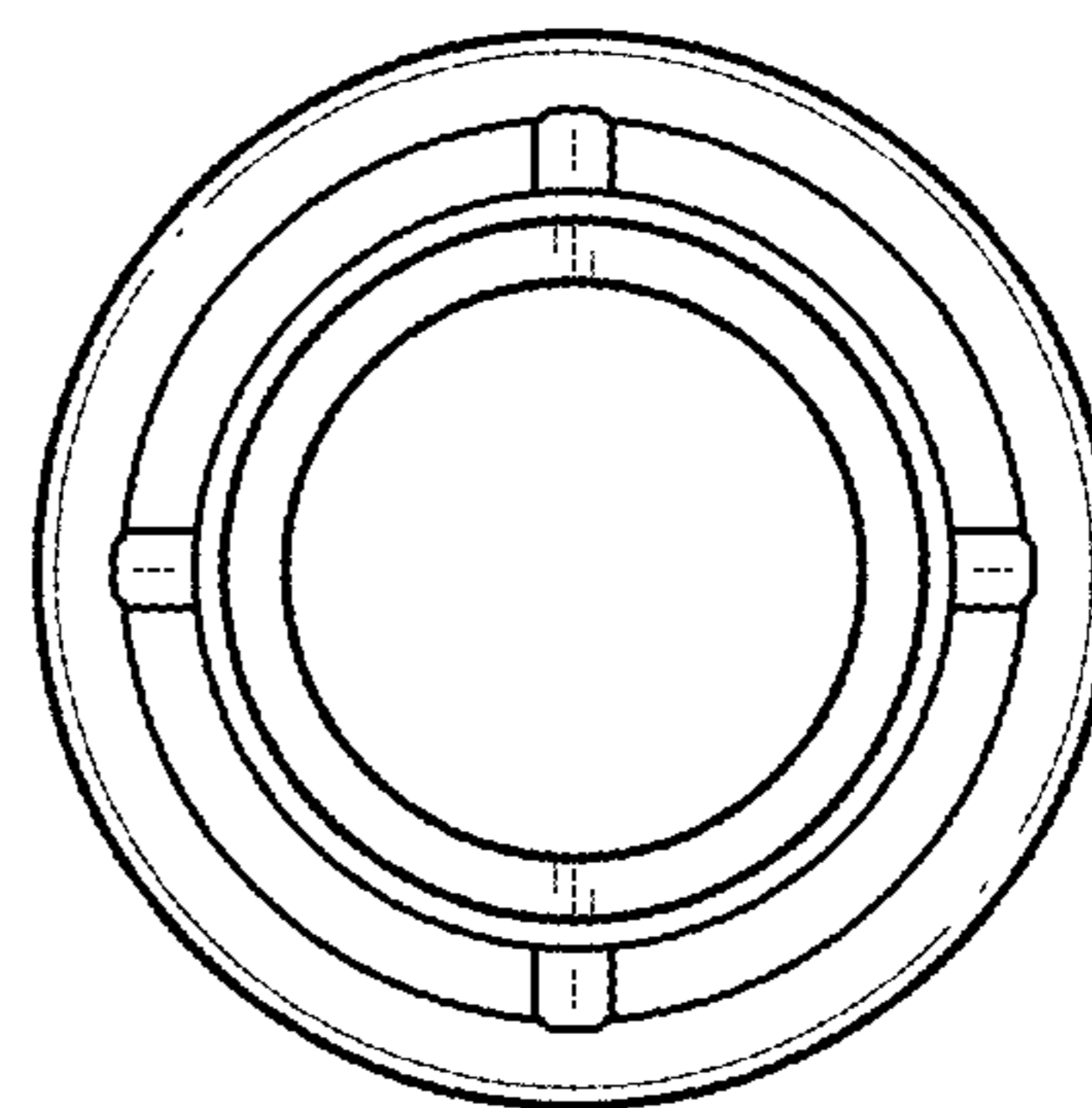


FIG. 12

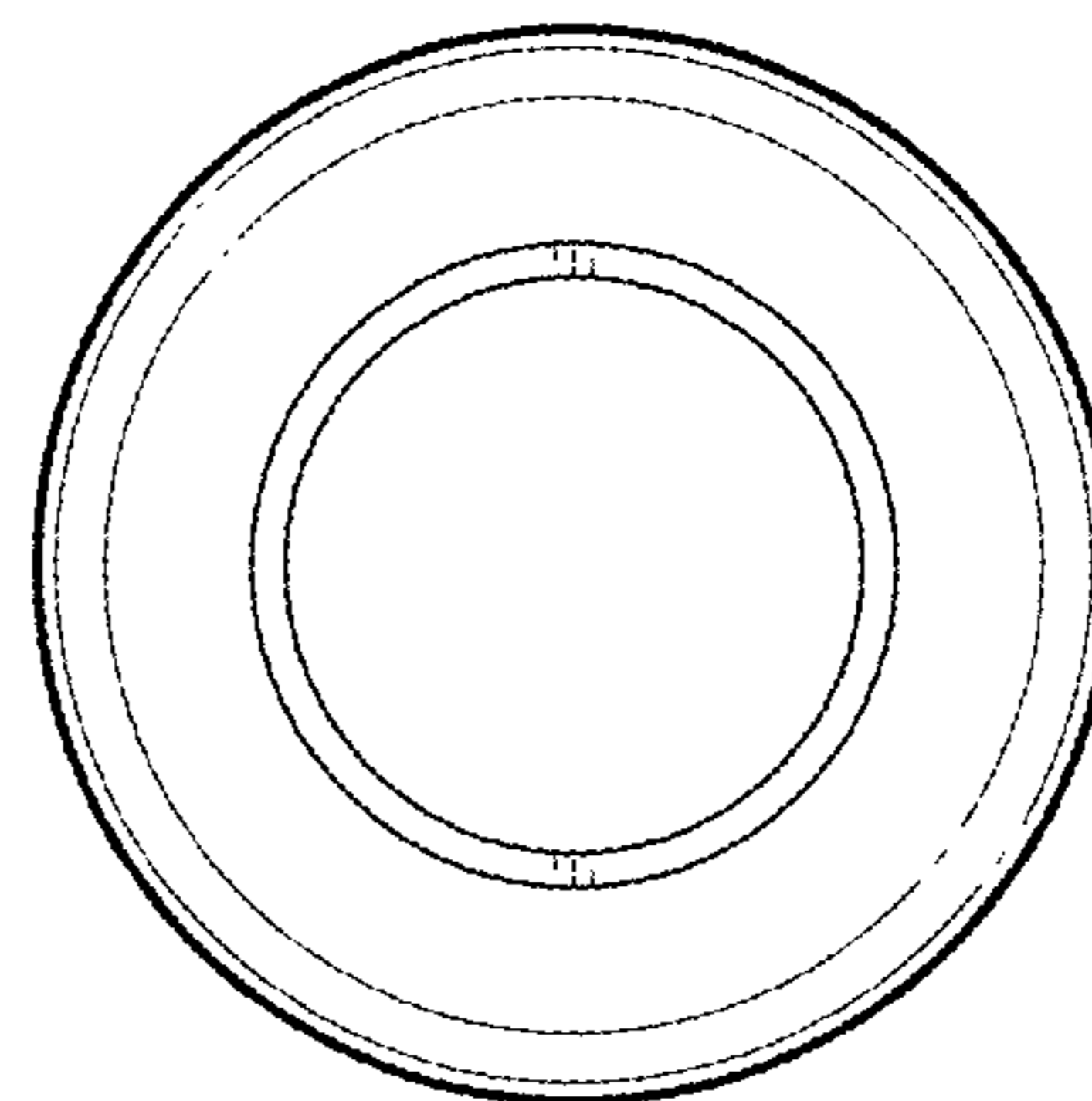


FIG. 13

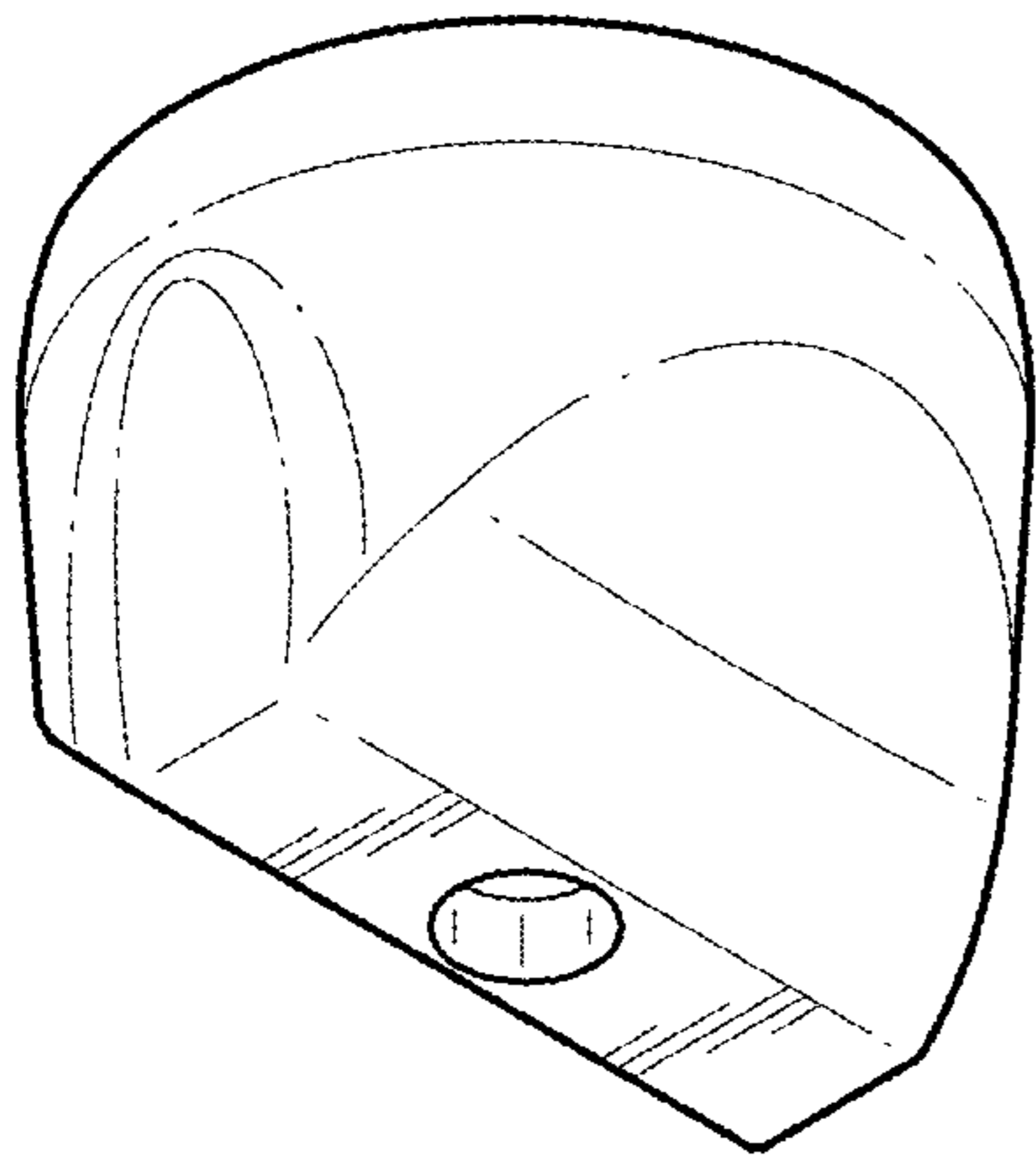


FIG. 14

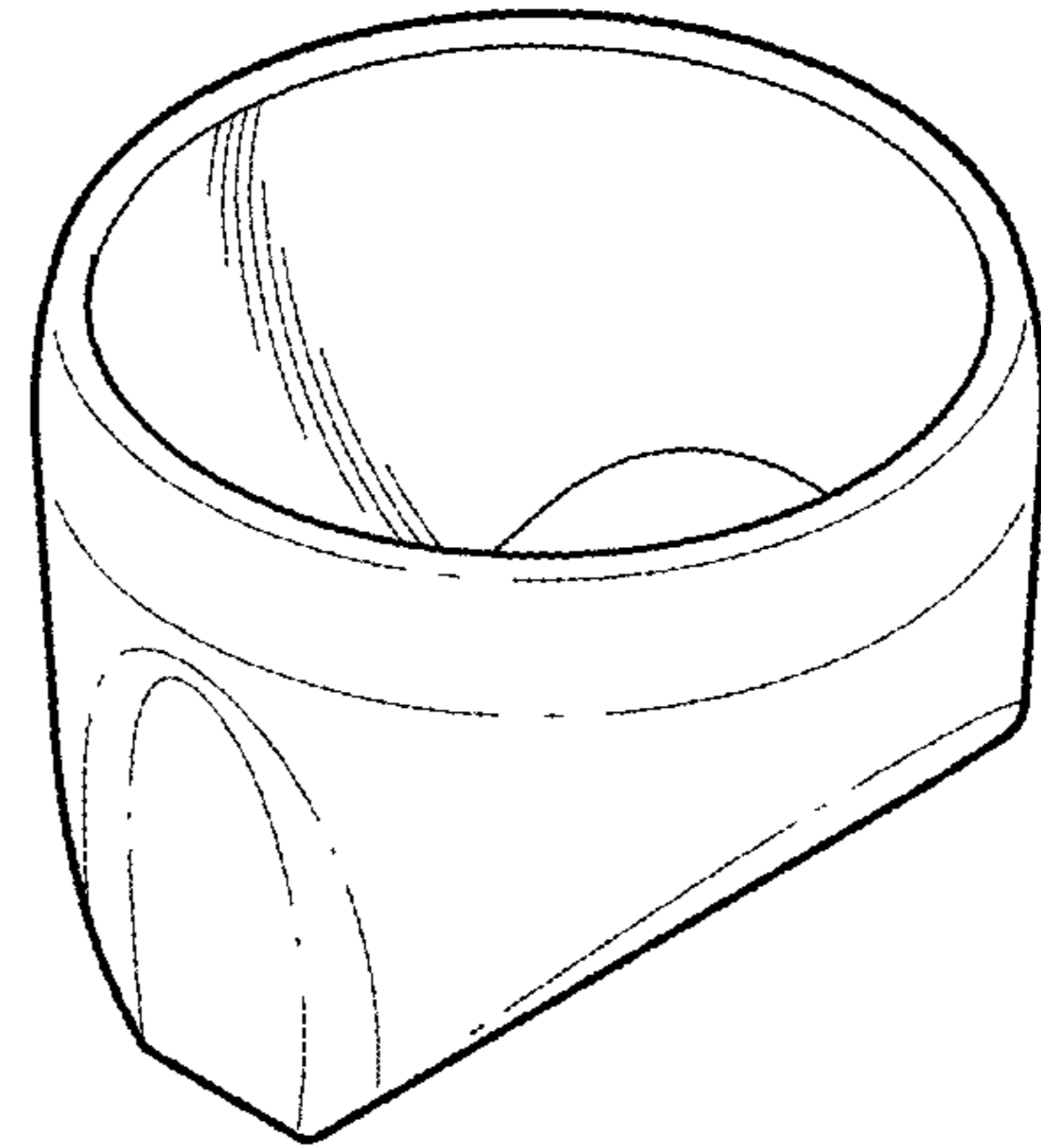


FIG. 15

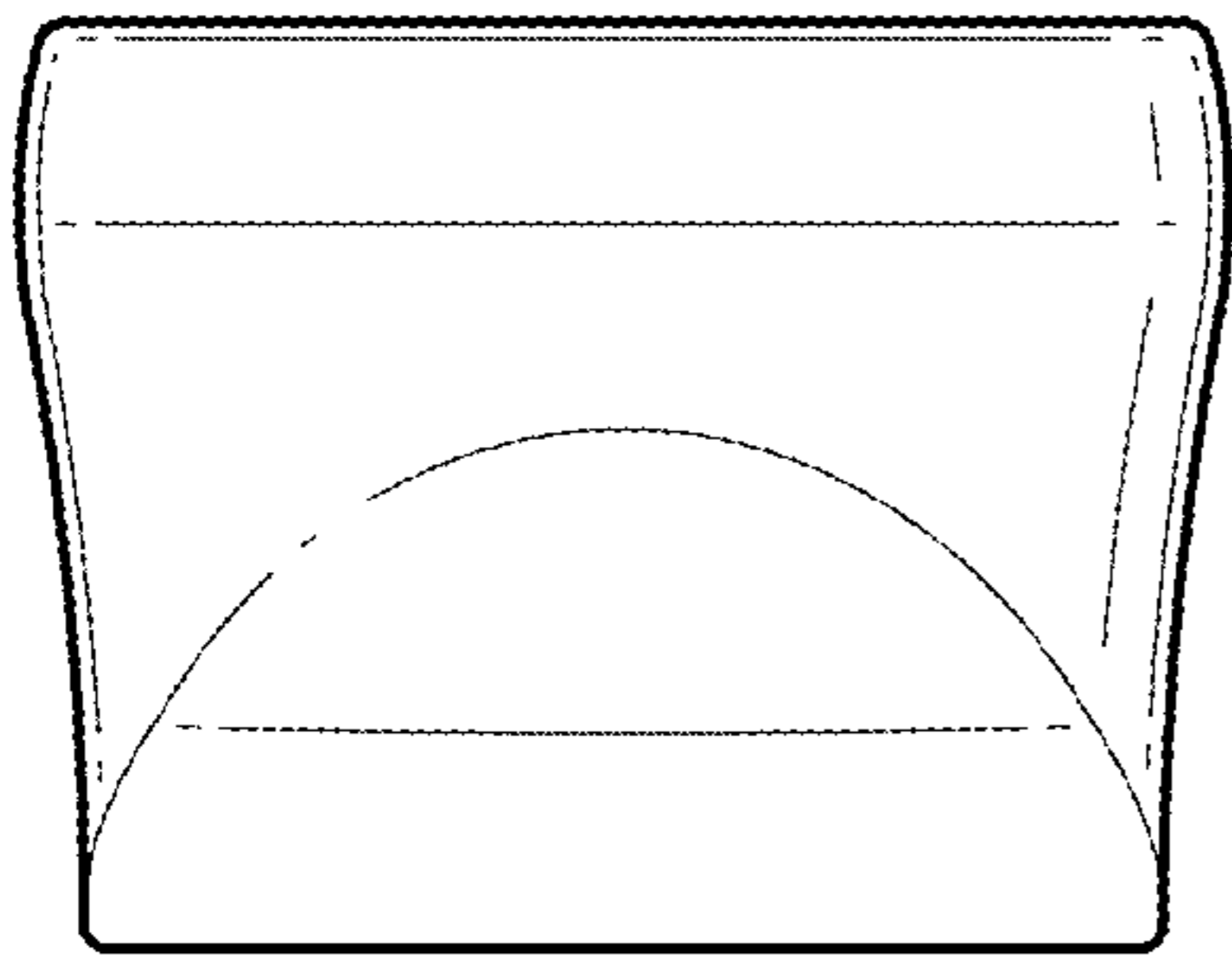


FIG. 16

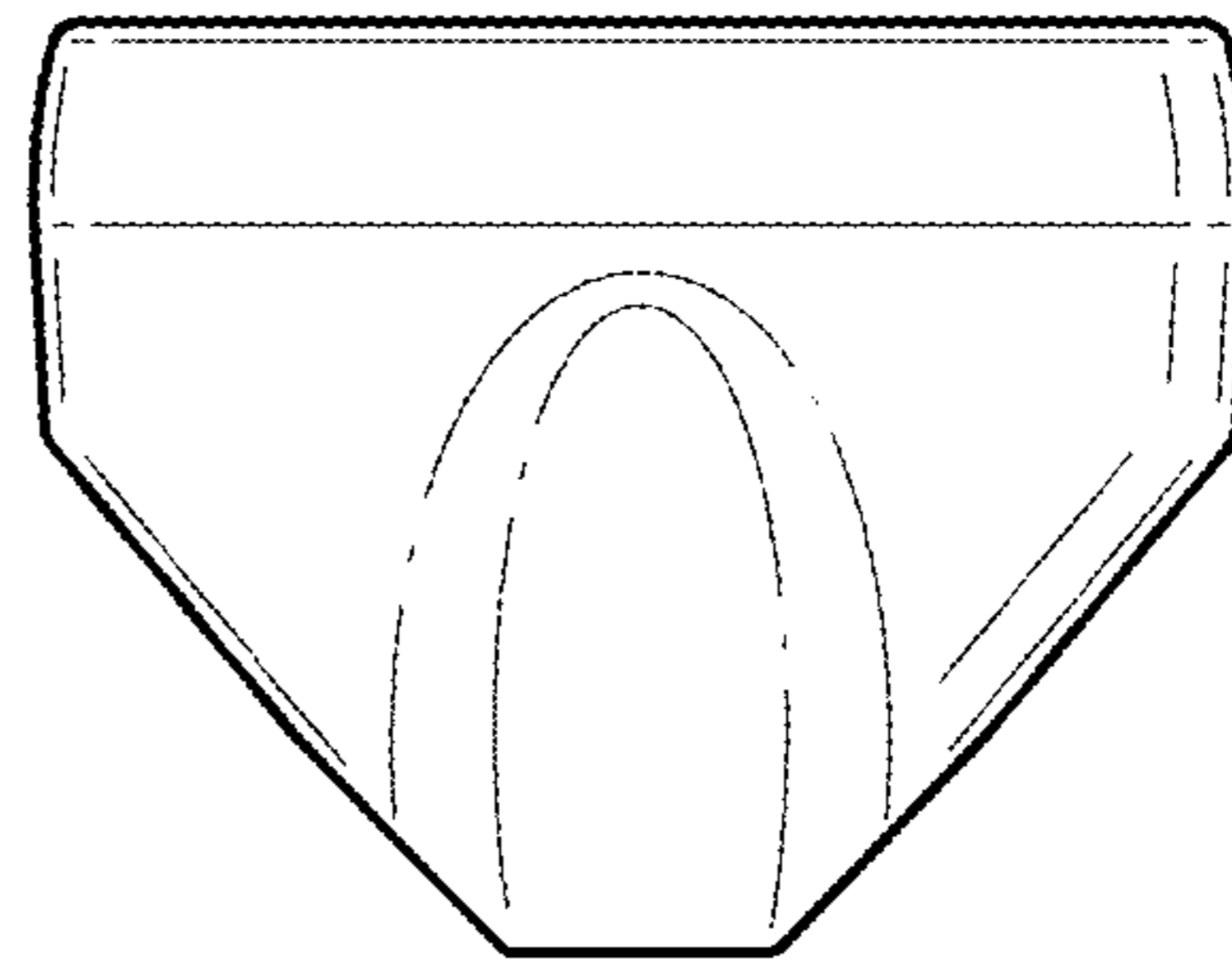


FIG. 17

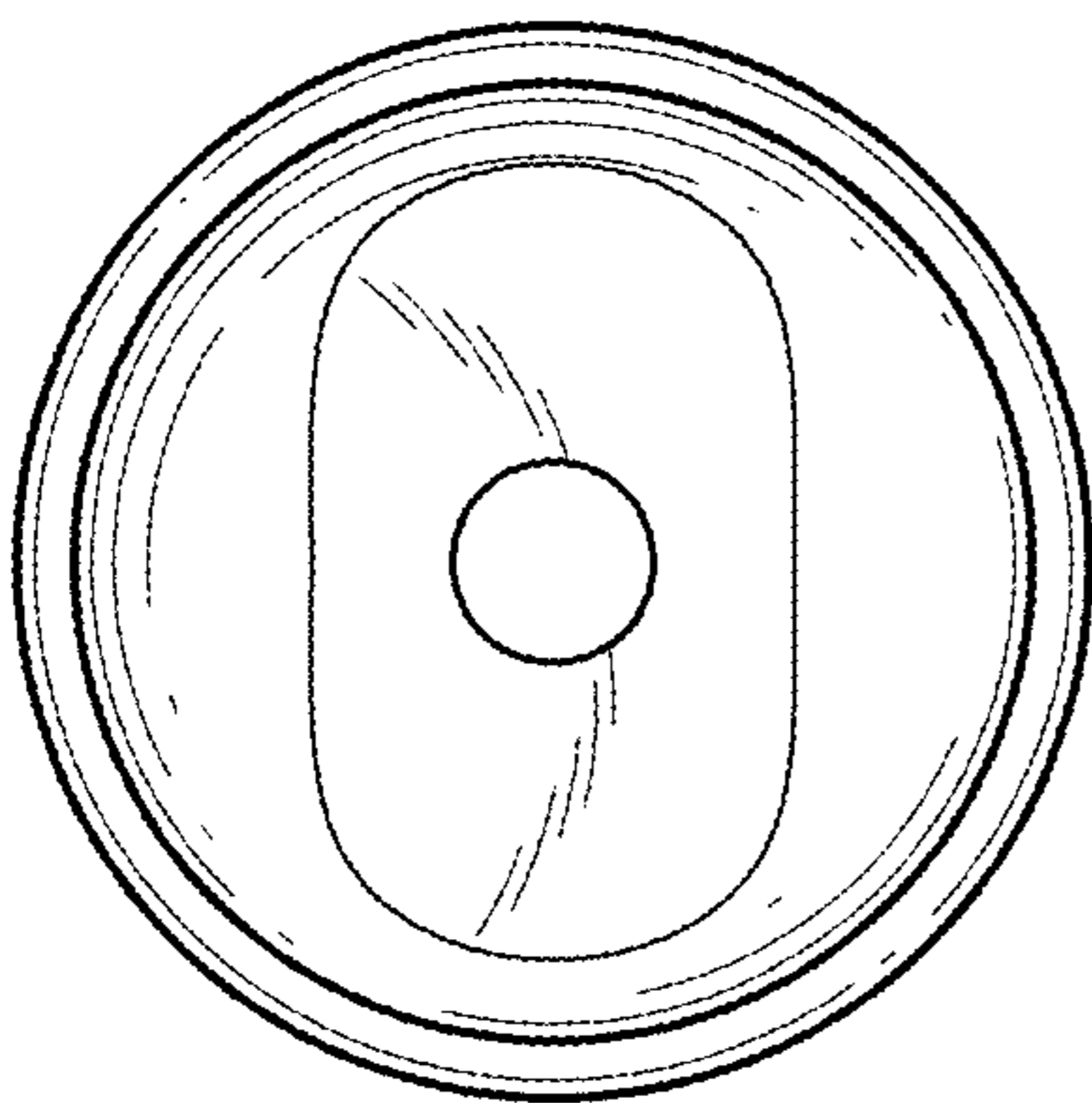


FIG. 18

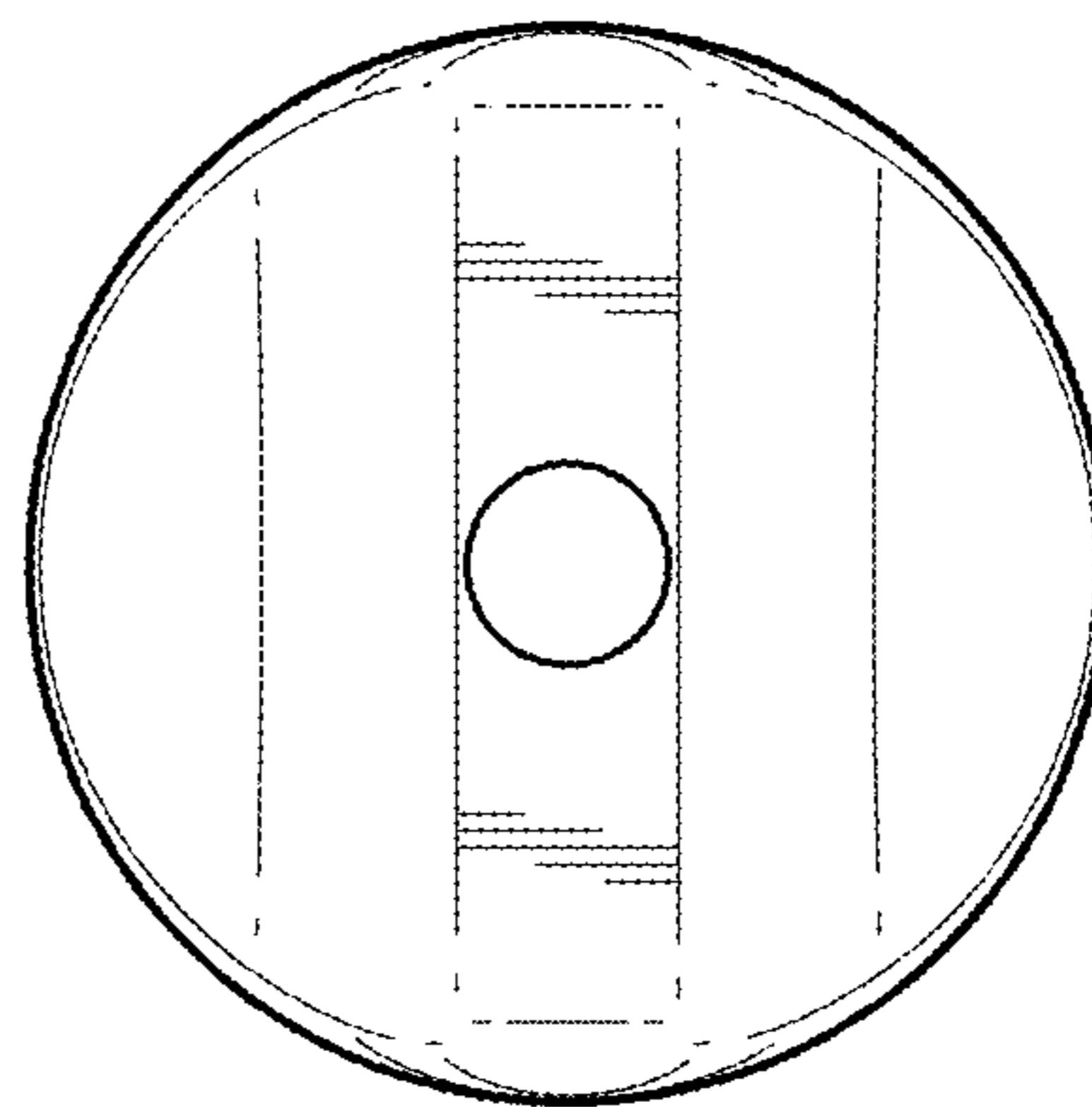


FIG. 19

FIG. 20

