

US00D909867S

(12) **United States Design Patent**
Chougule

(10) **Patent No.:** **US D909,867 S**

(45) **Date of Patent:** **** Feb. 9, 2021**

- (54) **SKULL CAP FOR BOTTLE**
- (71) Applicant: **Csatrina Holdings Limited**, Croydon (GB)
- (72) Inventor: **Vikrant Chougule**, London (GB)
- (73) Assignee: **Csatrina Holdings Limited**, London (GB)
- (**) Term: **15 Years**
- (21) Appl. No.: **29/683,777**
- (22) Filed: **Mar. 15, 2019**
- (51) **LOC (13) Cl.** **09-07**
- (52) **U.S. Cl.**
USPC **D9/441**
- (58) **Field of Classification Search**
USPC D9/600-601, 626, 500-505, 516, D9/434-454; 206/457, 494, 459.5, 527, 206/540; 229/116.1; 215/381-384, 400; D7/514-520, 539, 544, 571, 594, 599, D7/604, 613, 619.2, 623, 625, 628-630, D7/391-392.1, 396.2; D3/270-271.8
CPC B65D 67/00; B65D 81/36; B65D 81/60; B65D 81/368; B65D 37/00; B65D 5/42; B65D 5/4208; B65D 77/00; A63H 33/10; A63H 33/16
See application file for complete search history.

- D605,541 S * 12/2009 Hu D10/114.1
- D689,770 S * 9/2013 Leon Fernandez D9/441
- D714,159 S * 9/2014 Fallon D9/626
- D720,625 S * 1/2015 Olson D9/626
- D774,390 S * 12/2016 Ouyang D9/441
- D835,514 S * 12/2018 Alvarez D9/626
- D843,841 S * 3/2019 del Toro D9/626
- D854,105 S * 7/2019 Baldwin D21/787

* cited by examiner

Primary Examiner — Sandra L Morris

(74) *Attorney, Agent, or Firm* — K&L Gates LLP

(57) **CLAIM**

The ornamental design for a skull cap for bottle, as shown and described.

DESCRIPTION

FIG. 1 is an isometric view a first embodiment of a skull cap for bottle showing my new design;
 FIG. 2 is a front elevation view thereof;
 FIG. 3 is a back elevation view thereof;
 FIG. 4 is a right side view thereof;
 FIG. 5 is a left side view thereof;
 FIG. 6 is a top plan view thereof;
 FIG. 7 is a bottom plan view thereof;
 FIG. 8 is an isometric view of a second embodiment of a skull cap for bottle;
 FIG. 9 is a front elevation view thereof;
 FIG. 10 is a back elevation view thereof;
 FIG. 11 is a right side view thereof;
 FIG. 12 is a left side view thereof;
 FIG. 13 is a top plan view thereof; and,
 FIG. 14 is bottom plan view thereof.

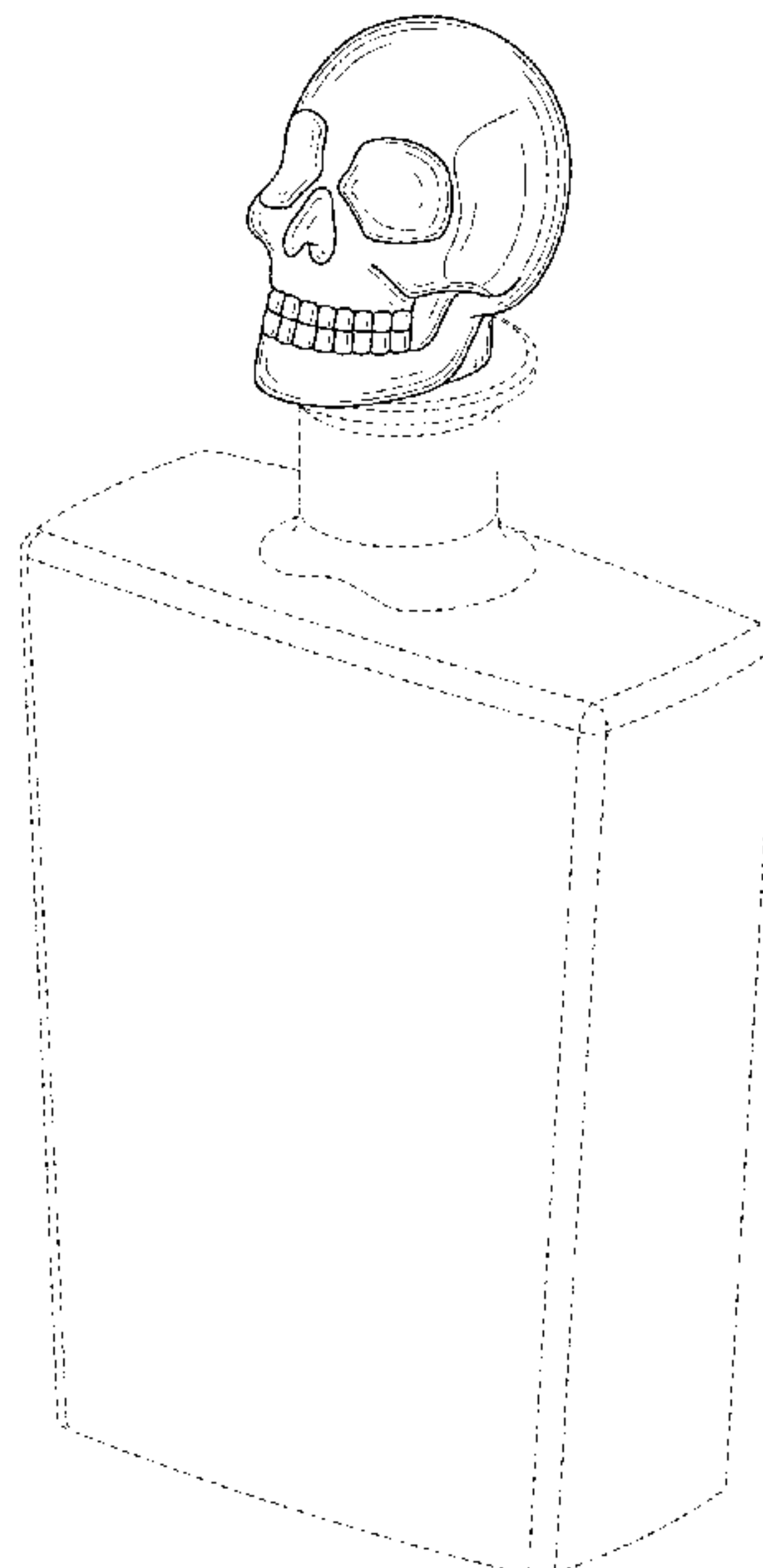
Those portions of the figures that are presented in broken lines merely illustrate the environment of the design and are not part of the claimed design.

1 Claim, 10 Drawing Sheets

(56) **References Cited**

U.S. PATENT DOCUMENTS

- D14,330 S * 9/1883 Stites D9/441
- D53,428 S * 6/1919 Rustant D9/441
- D53,467 S * 6/1919 Rustant D9/441
- D53,468 S * 6/1919 Rustant D9/441
- D459,213 S * 6/2002 Buboltz D9/626
- D589,360 S * 3/2009 Alexander D9/626



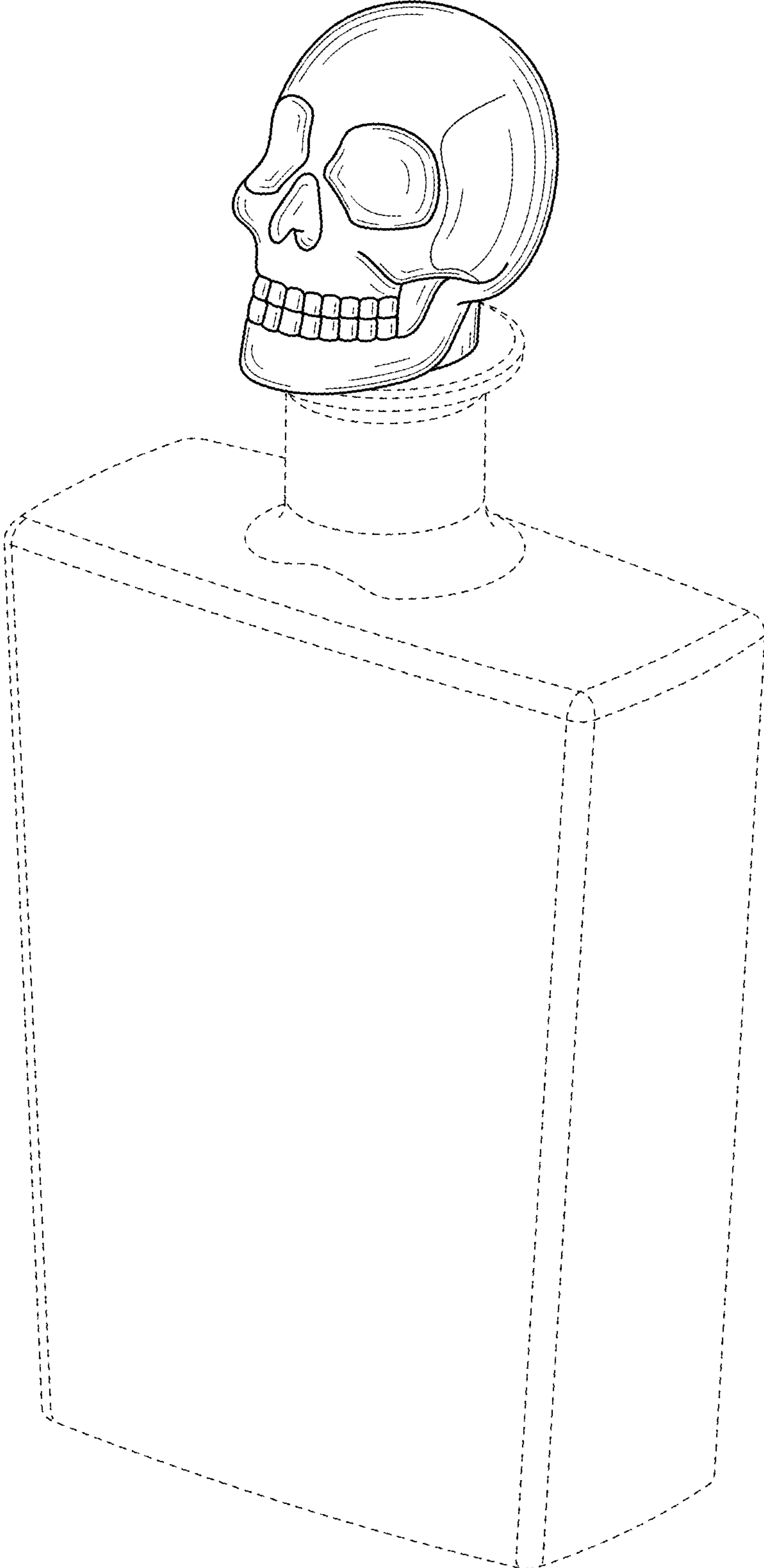


FIG. 1

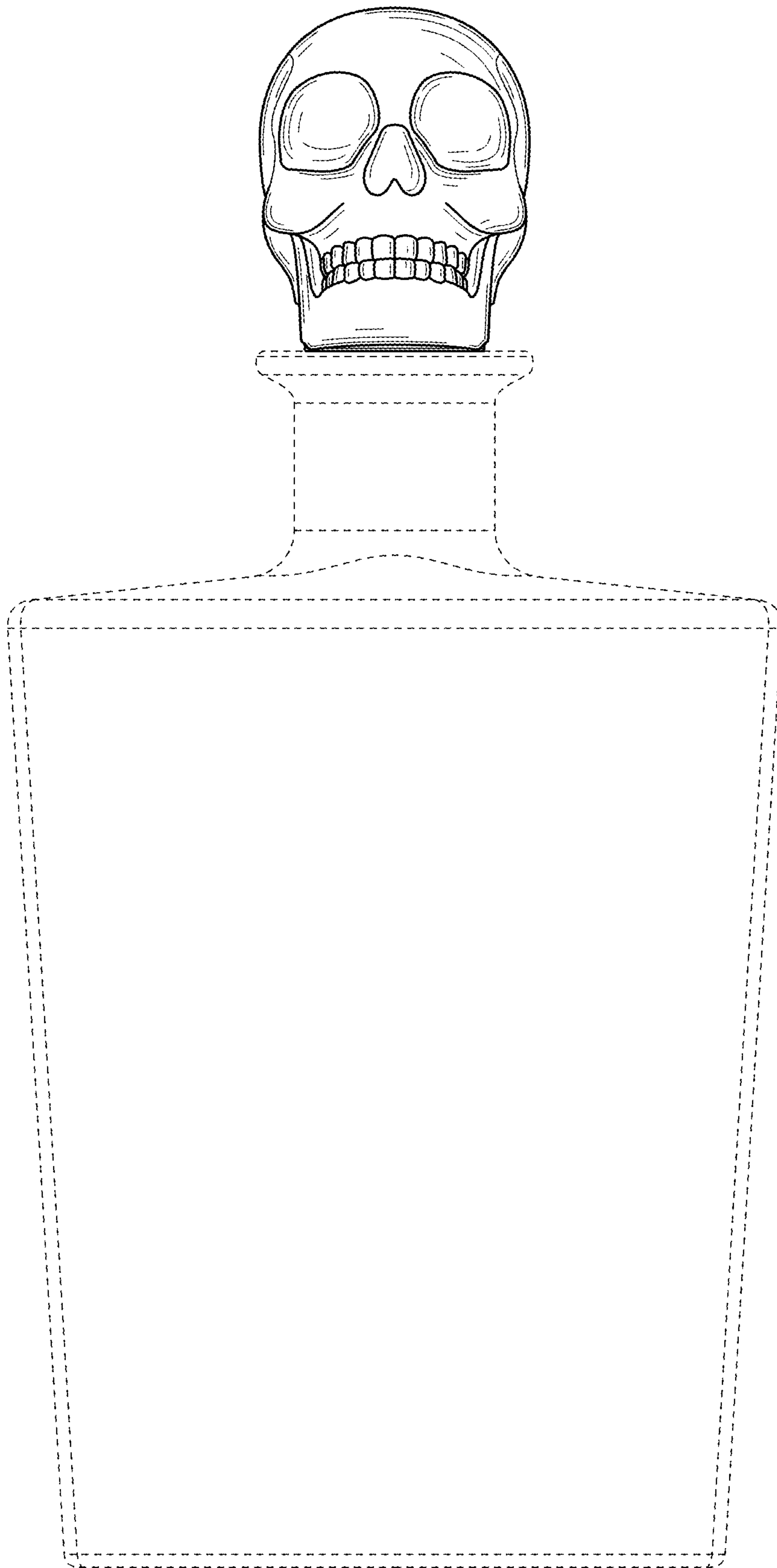


FIG. 2

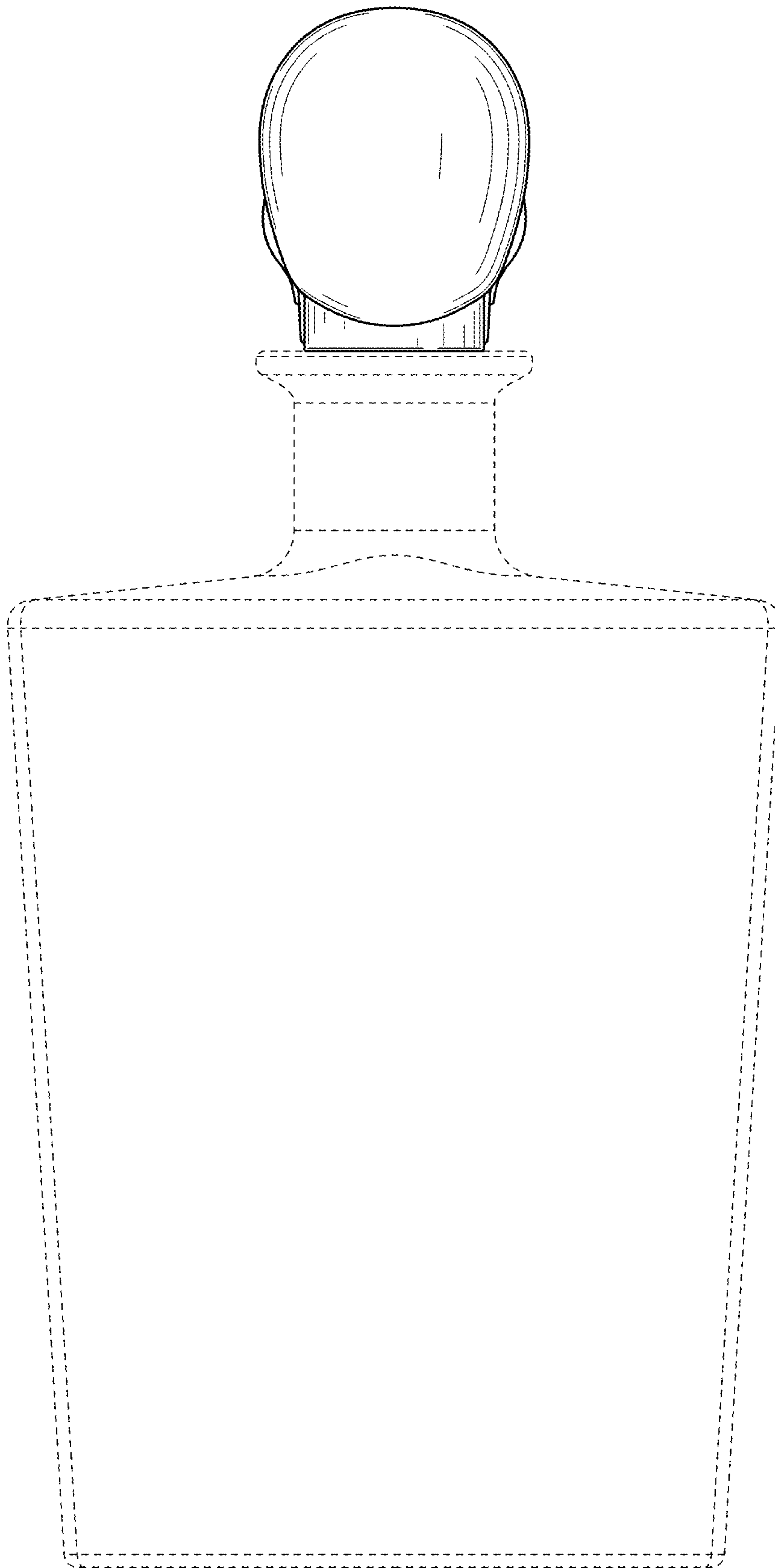


FIG. 3

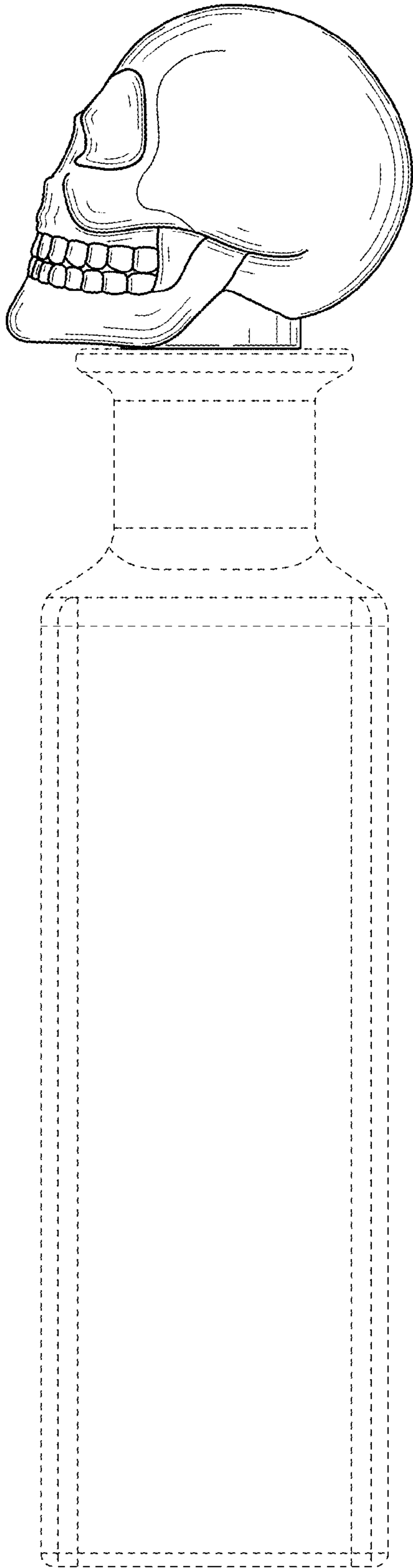


FIG. 4

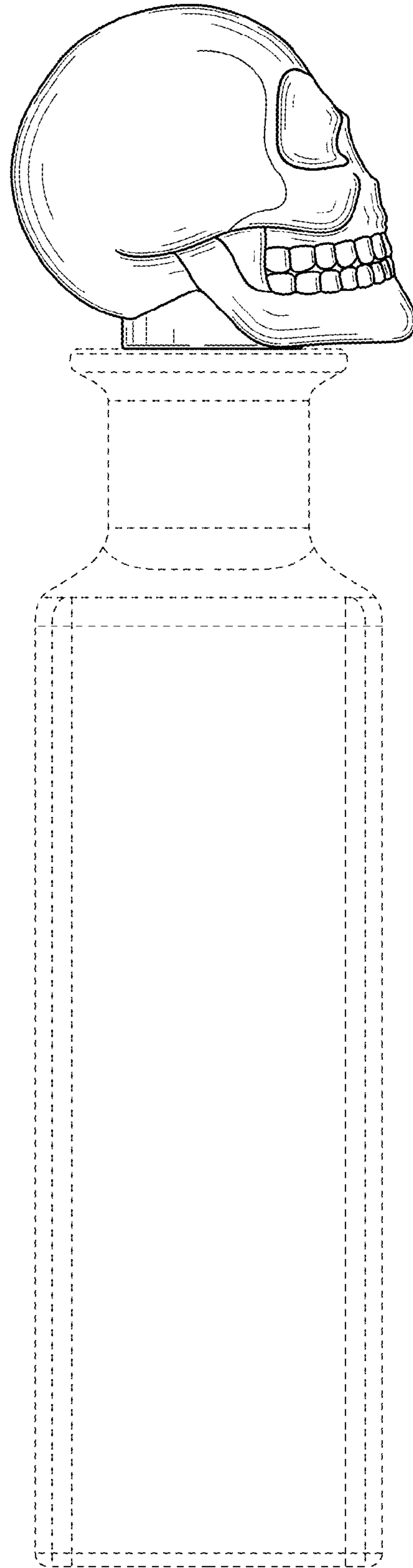


FIG. 5

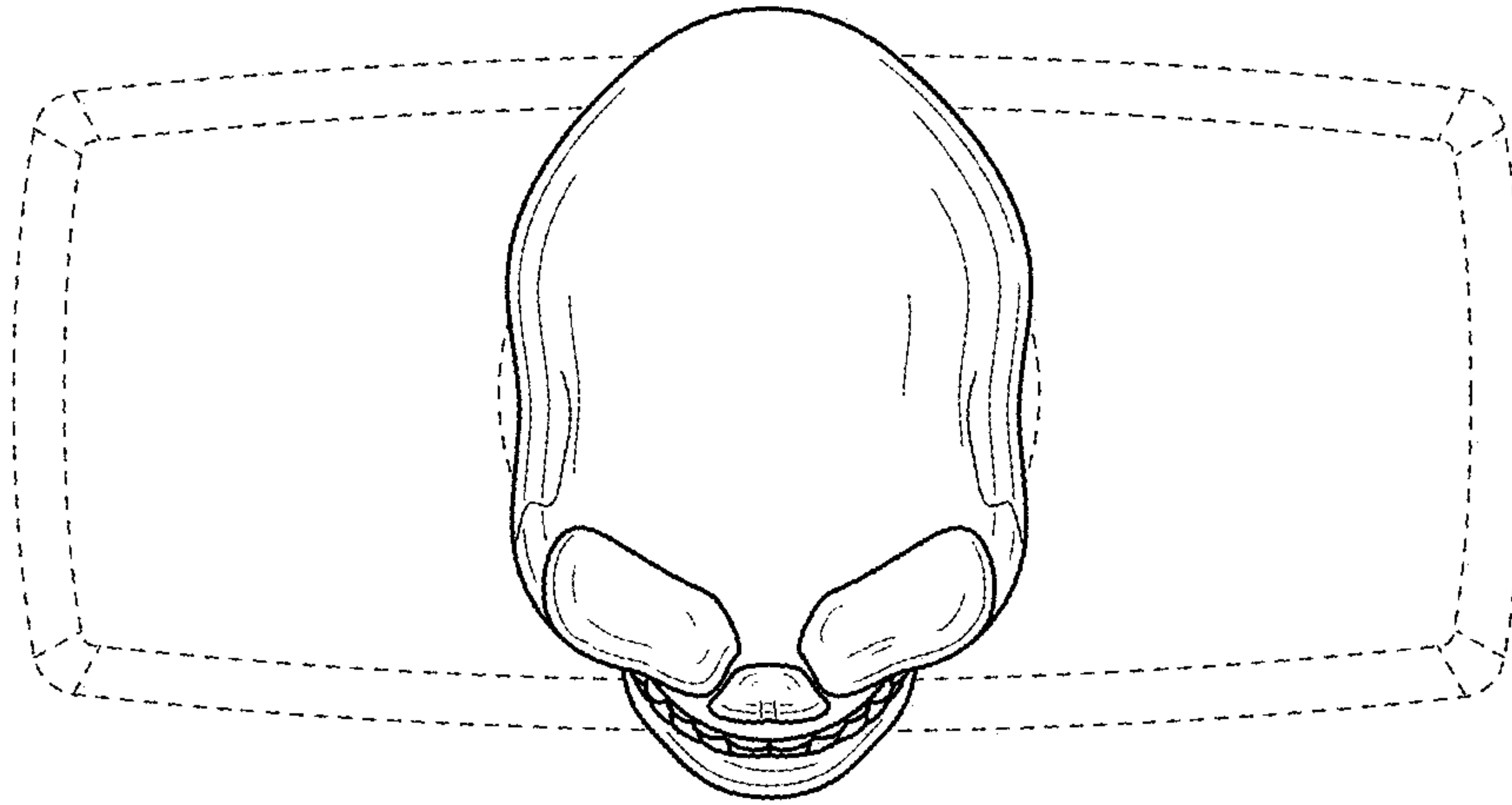


FIG. 6

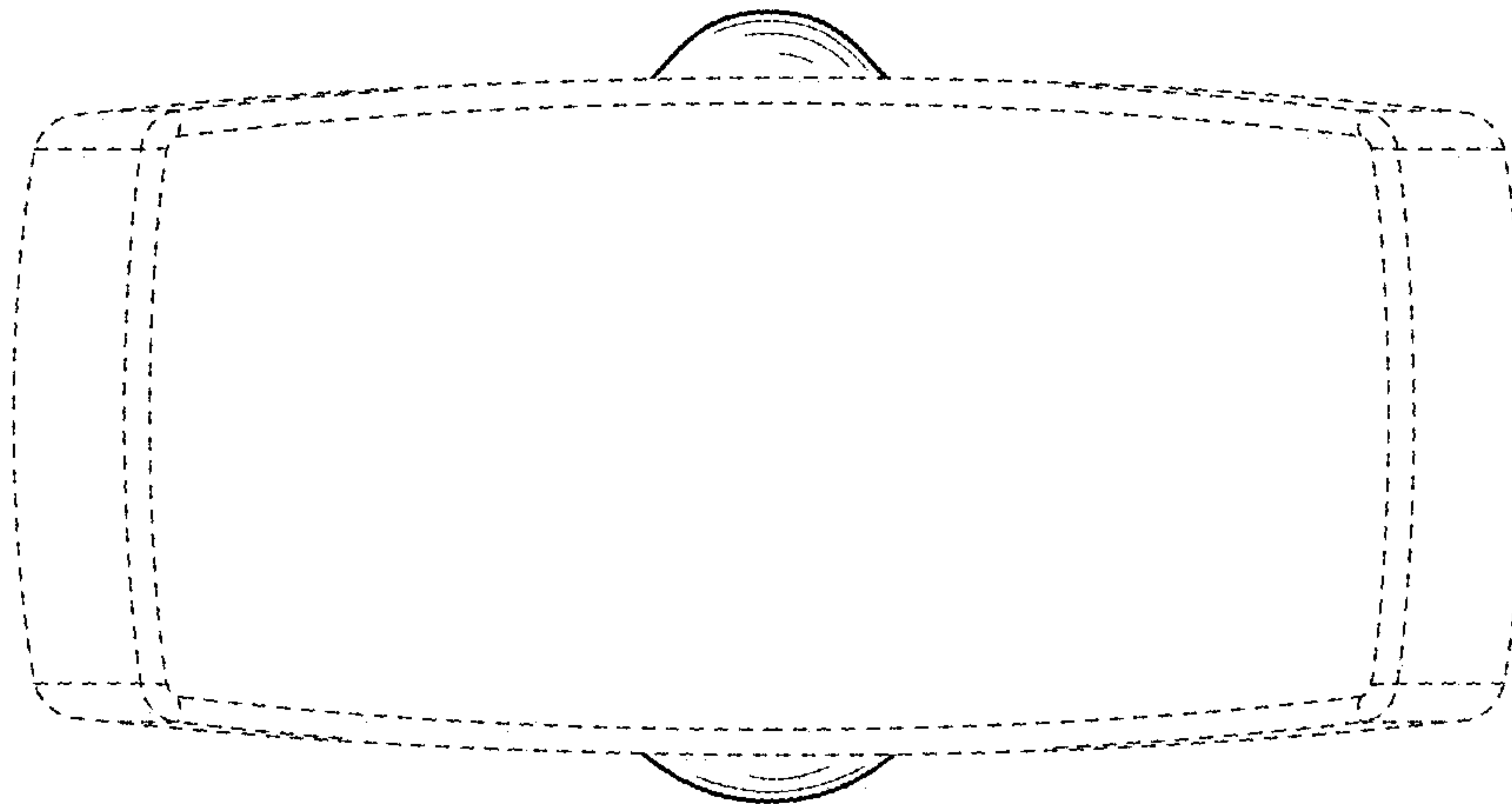


FIG. 7

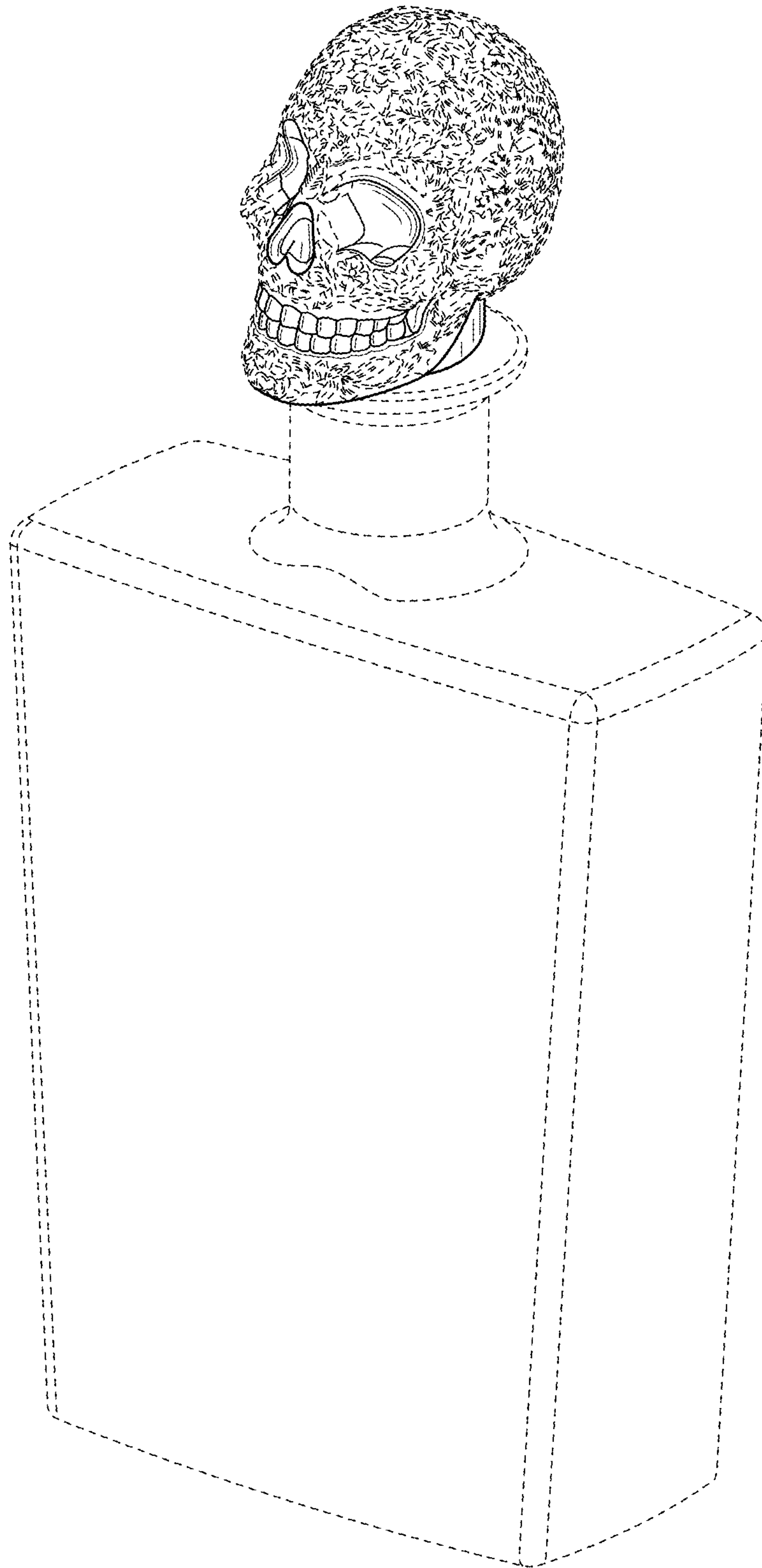


FIG. 8

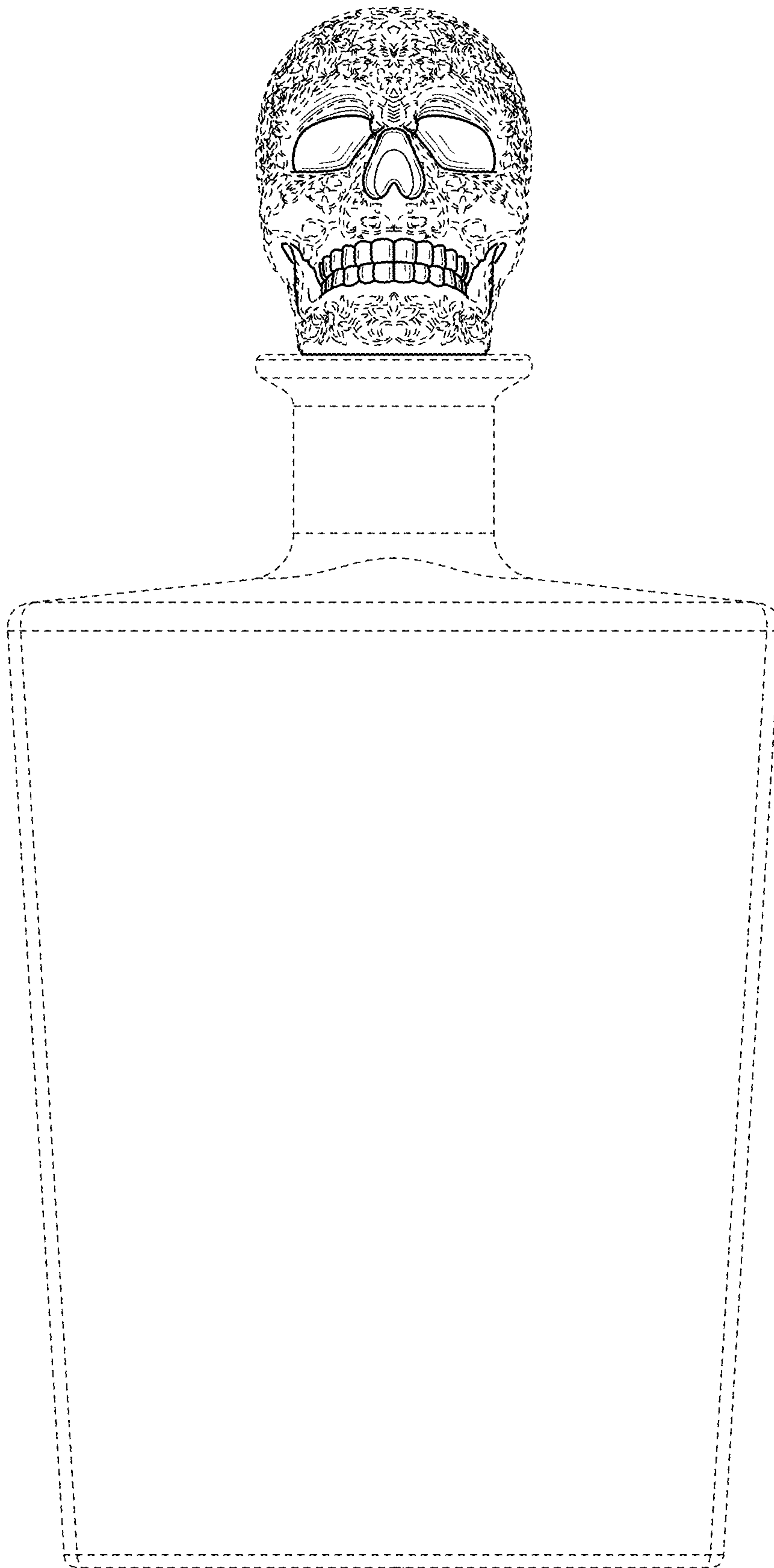


FIG. 9

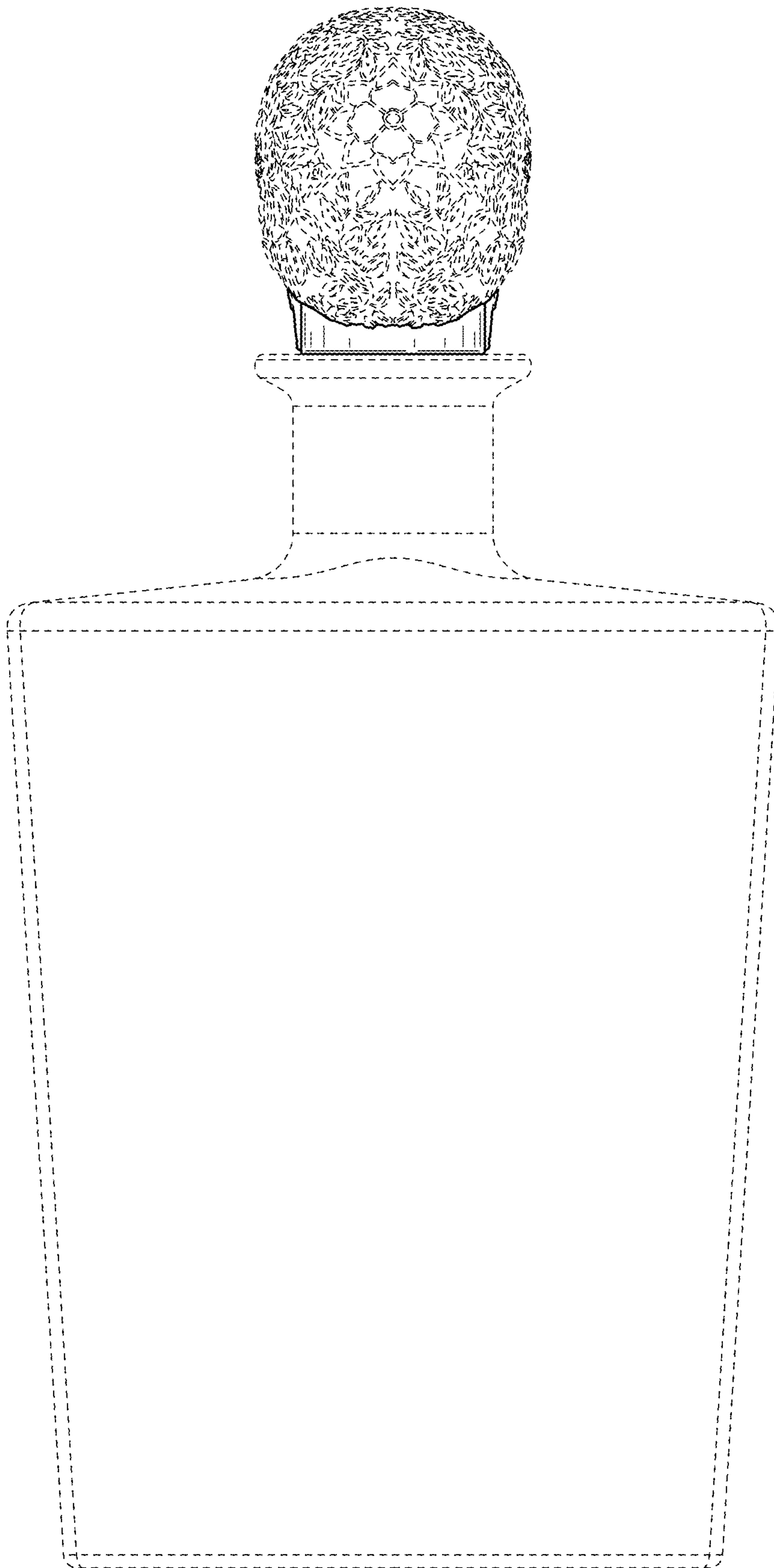


FIG. 10

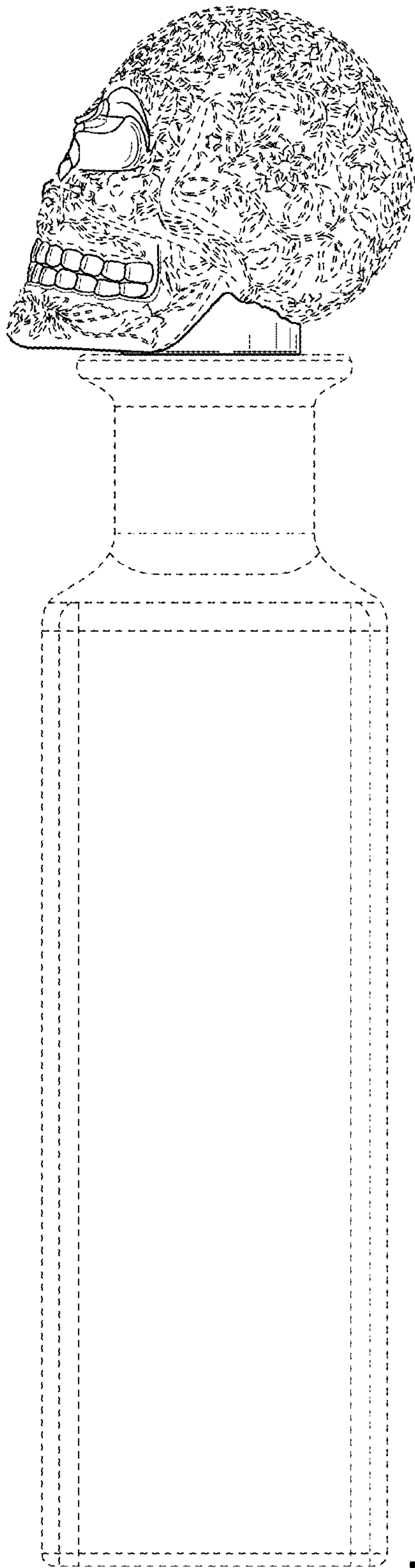


FIG. 11

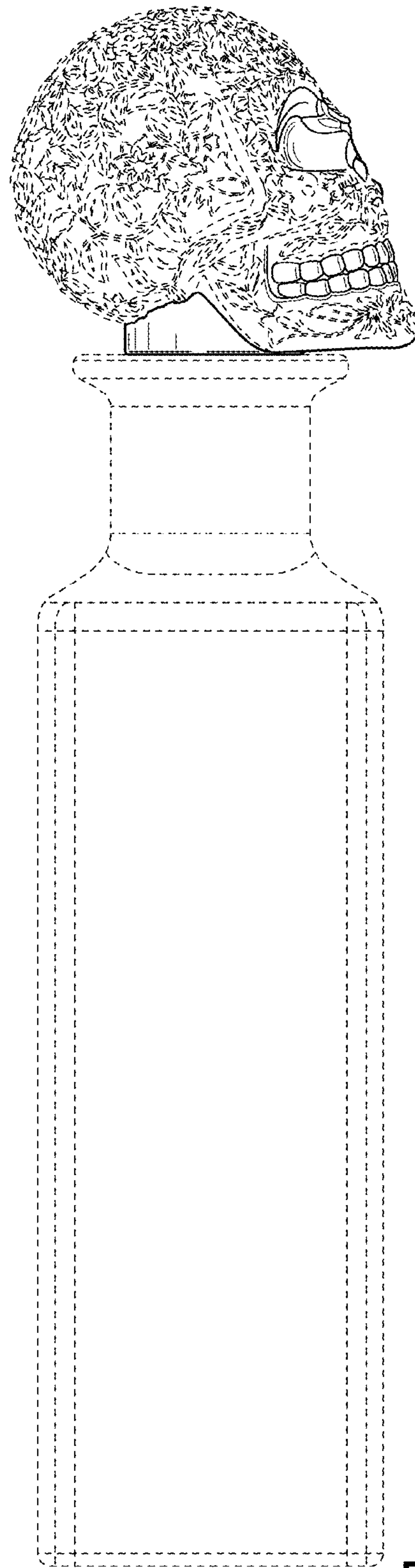


FIG. 12

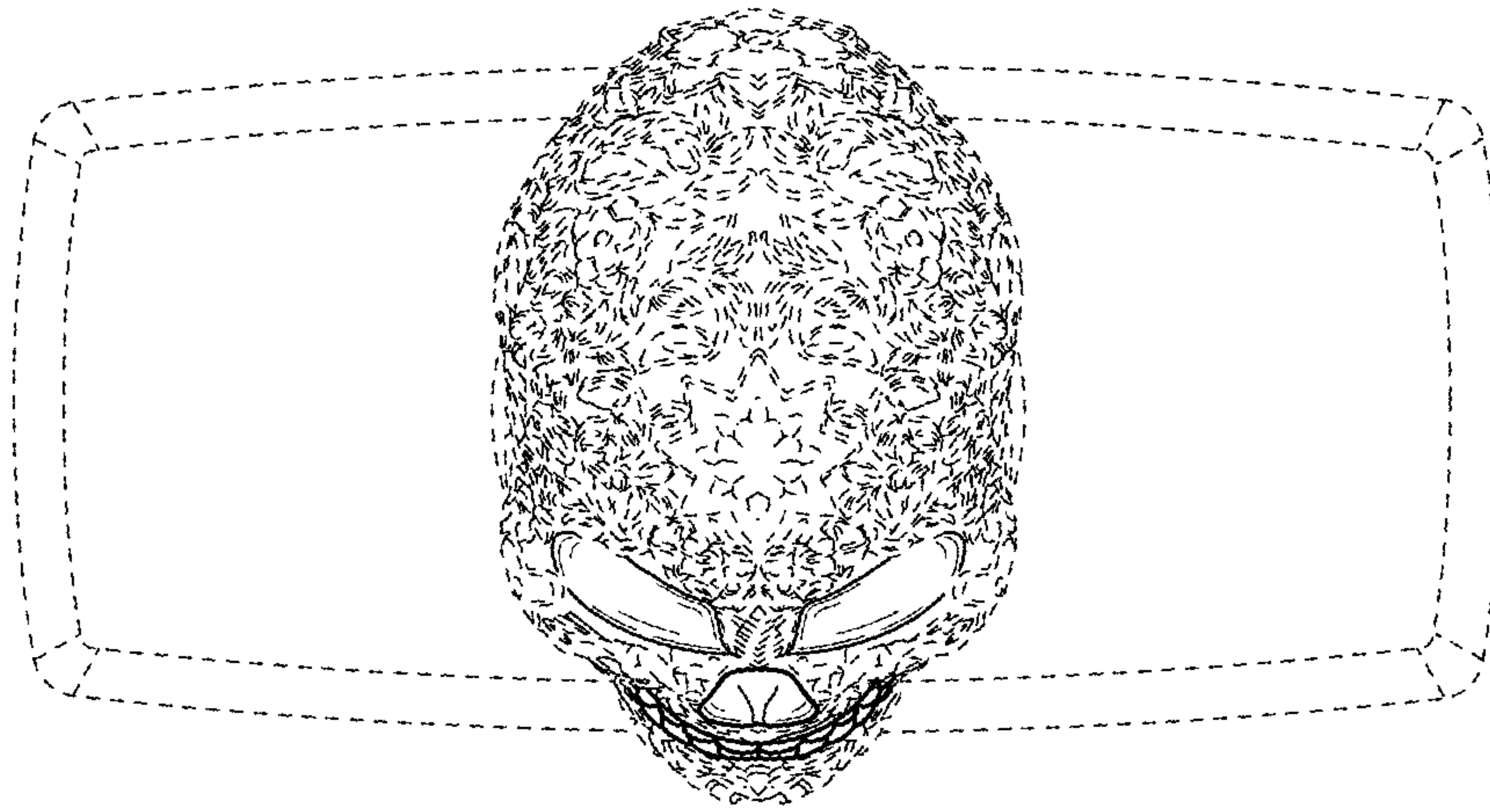


FIG. 13

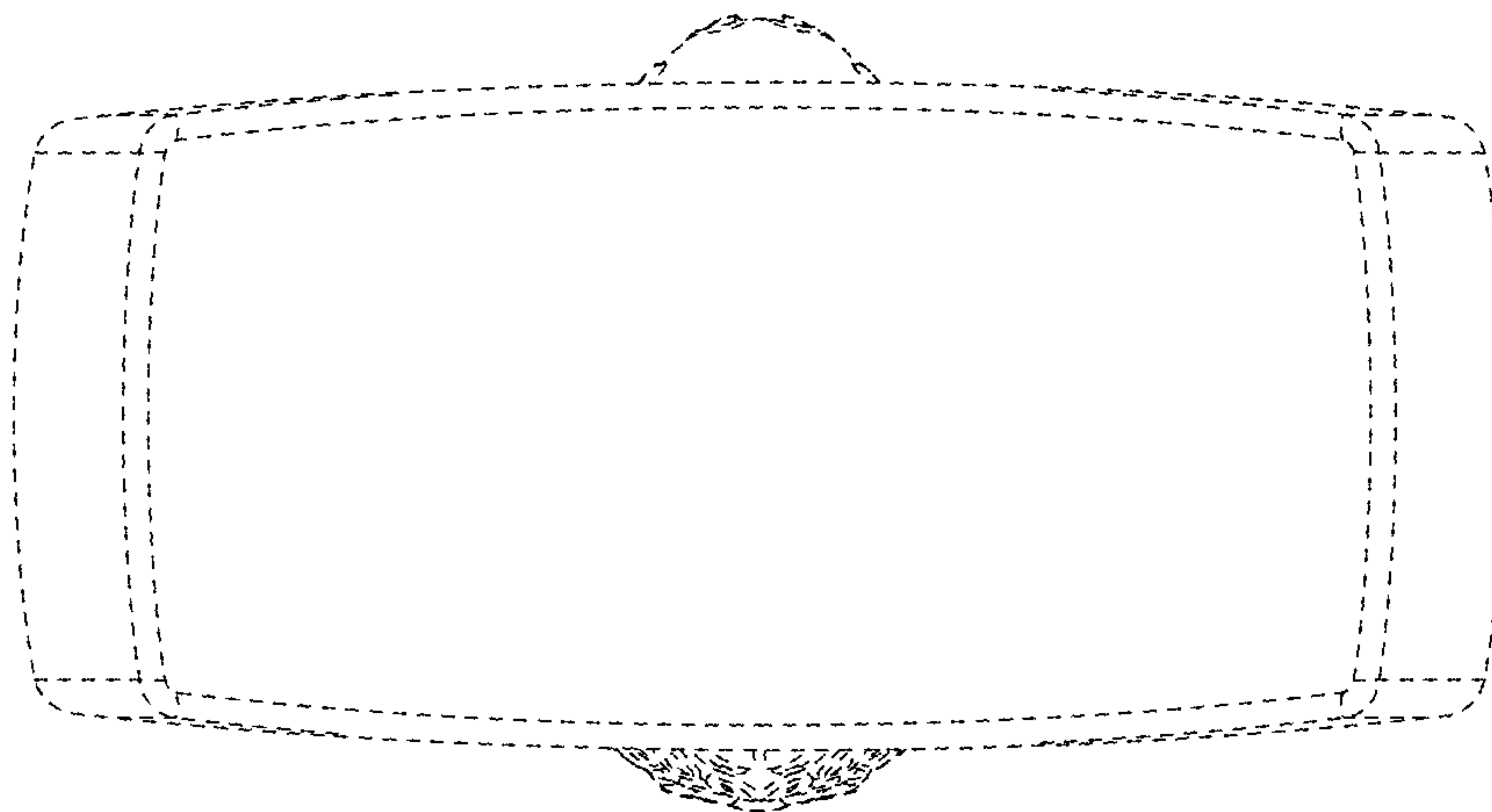


FIG. 14