



US00D909863S

(12) **United States Design Patent** (10) **Patent No.:** **US D909,863 S**
Thain et al. (45) **Date of Patent:** **** Feb. 9, 2021**

(54) **PACKAGE** 2,430,229 A 11/1947 Kelsey
2,474,135 A 6/1949 White
(71) Applicant: **Apple Inc.**, Cupertino, CA (US) 2,501,107 A 3/1950 Volkmann
2,545,731 A 3/1951 French
(72) Inventors: **Hamish Thain**, New York, NY (US); 2,739,660 A 3/1956 French
Eric Treski, Manhattan Beach, CA 3,821,647 A 6/1974 Minasian
(US) D233,444 S 10/1974 Christian et al.
D241,881 S 10/1976 Peterson et al.
4,253,452 A 3/1981 Powers et al.
(73) Assignee: **Apple Inc.**, Cupertino, CA (US) (Continued)

(**) Term: **15 Years** FOREIGN PATENT DOCUMENTS

(21) Appl. No.: **29/735,859** TW D126814 S 1/2009

(22) Filed: **May 26, 2020** OTHER PUBLICATIONS

Related U.S. Application Data

(63) Continuation of application No. 29/723,351, filed on Feb. 6, 2020, now Pat. No. Des. 886,574, which is a continuation of application No. 29/679,273, filed on Feb. 4, 2019, now Pat. No. Des. 876,221, which is a continuation of application No. 29/621,348, filed on Oct. 6, 2017, now Pat. No. Des. 840,218, which is a continuation of application No. 29/529,588, filed on Jun. 9, 2015, now Pat. No. Des. 799,316.

Made in China. Professional Original Urbeats Wireless Beats Ear-
phone Stereo Headset Beats Bluetooth Studio Headphone Best
Price. No date specified. <https://bit.ly/31A4u73> (Year: 0).*
(Continued)

(51) **LOC (13) Cl.** **09-03**

Primary Examiner — Darcey E Gottschalk
(74) *Attorney, Agent, or Firm* — Sterne, Kessler,
Goldstein & Fox P.L.L.C.

(52) **U.S. Cl.**
USPC **D9/418**; D9/415

(57) **CLAIM**

The ornamental design for a package, as shown and described.

(58) **Field of Classification Search**
USPC D9/499, 414, 422, 423, 426, 432, 433,
D9/415, 418, 424; D3/272–274
CPC ... B65D 5/00; B65D 5/02; B65D 5/18; B65D
5/20
See application file for complete search history.

DESCRIPTION

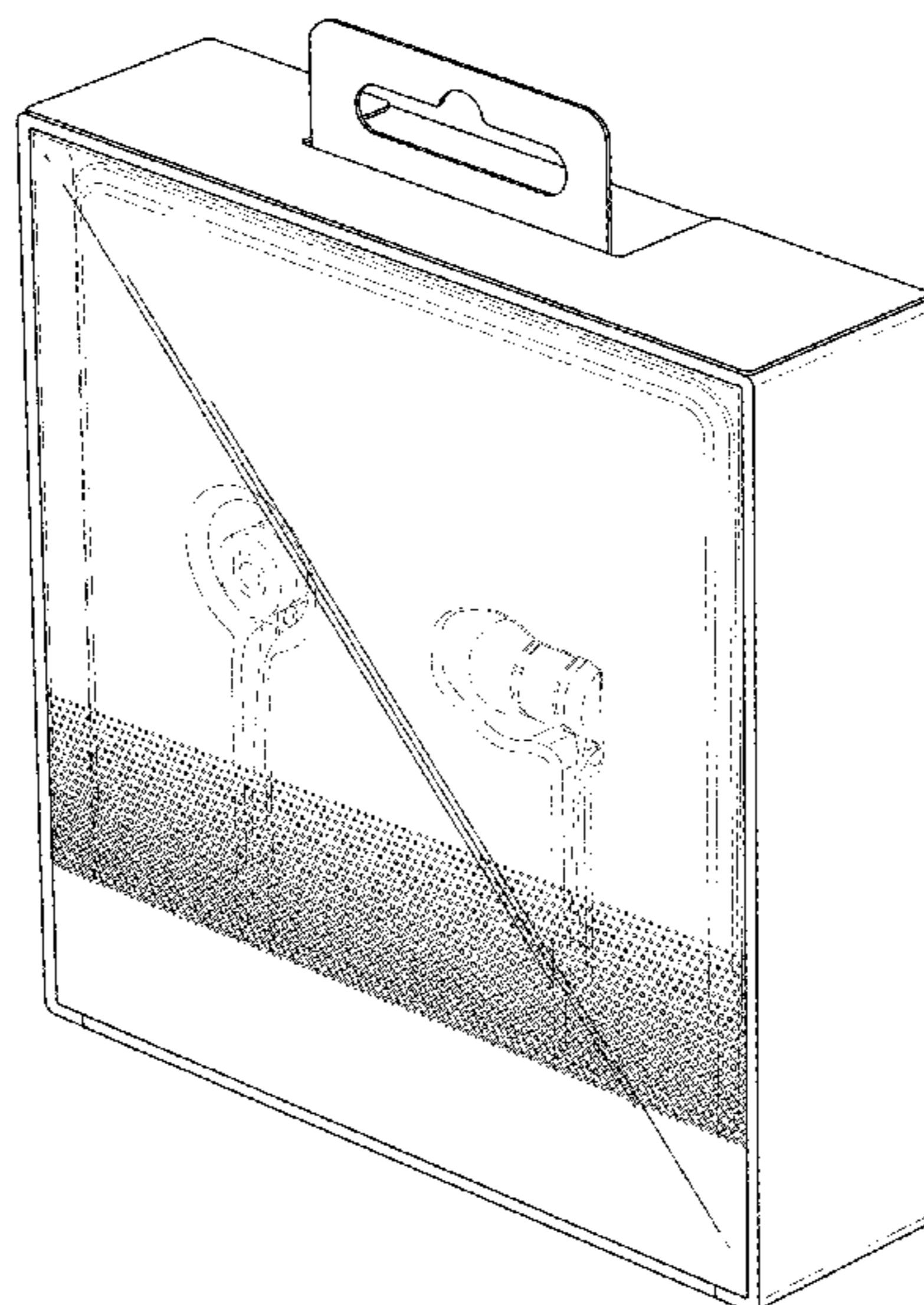
FIG. 1 is a top front perspective view of a package showing the claimed design;
FIG. 2 is a front view thereof;
FIG. 3 is a rear view thereof;
FIG. 4 is a left side view thereof;
FIG. 5 is a right side view thereof;
FIG. 6 is a top view thereof; and,
FIG. 7 is a bottom view thereof.
The broken lines in the figures show environment that forms no part of the claimed design.

(56) **References Cited**

U.S. PATENT DOCUMENTS

1,668,890 A 5/1928 Curran et al.
2,009,390 A 7/1935 Bayardi
D125,781 S * 3/1941 Nagle D9/418
2,248,837 A 7/1941 Walters

1 Claim, 6 Drawing Sheets



(56)

References Cited

U.S. PATENT DOCUMENTS

D270,634 S	9/1983	Ungar	D579,005 S	10/2008	Wilhelmsen
D276,143 S	10/1984	Williams	D579,444 S	10/2008	Ewert et al.
4,646,872 A	3/1987	Kamon et al.	D582,398 S	12/2008	Nam et al.
D299,344 S	1/1989	Stevens	D584,293 S	1/2009	Kim et al.
D299,454 S	1/1989	Kwong	D585,881 S	2/2009	Nam et al.
D307,719 S	5/1990	Band	D586,332 S	2/2009	Ewert et al.
D309,306 S	7/1990	Weiser et al.	D587,681 S	3/2009	Yanai
D316,550 S	4/1991	Sogabe	D589,493 S	3/2009	Densho
D318,670 S	7/1991	Taniguchi	D591,264 S	4/2009	Hong et al.
D326,655 S	6/1992	Tribe	D593,075 S	5/2009	Williams et al.
D326,855 S	6/1992	Bose et al.	D594,441 S	6/2009	Lee et al.
5,179,501 A	1/1993	Ocken et al.	7,551,748 B2	6/2009	Kamo et al.
D334,043 S	3/1993	Taniguchi et al.	D597,084 S	7/2009	Gondo
5,410,608 A	4/1995	Lucey et al.	D598,901 S	8/2009	Lee et al.
D357,921 S	5/1995	Ming-Chin	D599,781 S	9/2009	Lee et al.
5,625,171 A	4/1997	Marshall	D600,675 S	9/2009	Lee et al.
5,659,156 A	8/1997	Mauney	D601,126 S	9/2009	Christopher et al.
D383,757 S	9/1997	Dobrskin et al.	D602,475 S	10/2009	Martin
D385,254 S	10/1997	Owusu	D603,837 S	11/2009	Martin
D393,799 S	4/1998	Pope et al.	D605,628 S	12/2009	Ando
6,084,976 A	7/2000	Lin	D606,048 S	12/2009	Soetejo et al.
D430,060 S	8/2000	Kavalek	D607,875 S	1/2010	Pedersen, II
D430,146 S	8/2000	Lin	7,648,005 B2	1/2010	Leong et al.
D431,553 S	10/2000	Suzuki	D609,698 S	2/2010	Ng
D443,859 S	6/2001	Hogan	7,664,287 B2	2/2010	Neu et al.
D454,062 S	3/2002	Garrant et al.	D613,274 S	4/2010	Lee et al.
D457,514 S	5/2002	Marion et al.	D614,168 S	4/2010	Rogers et al.
6,386,314 B1	5/2002	Sheehan et al.	7,708,110 B2	5/2010	Leong et al.
D459,342 S	6/2002	Marion et al.	D622,707 S	8/2010	Chen et al.
D460,749 S	7/2002	Liu	D624,529 S	9/2010	Huang
D463,791 S	10/2002	Nagai et al.	D626,117 S	10/2010	Lowry
D470,129 S	2/2003	Hlas et al.	D627,764 S	11/2010	Tsai et al.
D475,996 S	6/2003	Skulley	D627,766 S	11/2010	Arimoto
6,574,345 B1	6/2003	Huang	D628,555 S	12/2010	Ponzio et al.
D481,377 S	10/2003	Eguchi	D630,179 S	1/2011	Park et al.
D482,348 S	11/2003	Villaverde et al.	D631,037 S	1/2011	Park et al.
D485,172 S	1/2004	Defino, Jr.	D631,470 S	1/2011	Yoneyama et al.
D485,548 S	1/2004	Obata	D634,305 S	3/2011	Hoggarth
6,728,388 B1	4/2004	Nageno et al.	D636,763 S	4/2011	Walter
D499,397 S	12/2004	Hlas et al.	D637,182 S	5/2011	Lee et al.
D507,482 S	7/2005	Kwon	D637,998 S	5/2011	Brunner et al.
D508,479 S	8/2005	Okada	D637,999 S	5/2011	Brunner et al.
D508,911 S	8/2005	Sanders	D641,008 S	7/2011	Lee et al.
D510,085 S	9/2005	Suzuki	D641,010 S	7/2011	Kwon
D510,337 S	10/2005	Tages	D641,736 S	7/2011	Brunner et al.
D510,575 S	10/2005	Leong	D642,163 S	7/2011	Lee et al.
D512,049 S	11/2005	Yang	D643,414 S	8/2011	Lee et al.
D519,107 S	4/2006	Yang	D643,416 S	8/2011	Chong et al.
D523,846 S	6/2006	Lee	D643,417 S	8/2011	Lee et al.
D526,642 S	8/2006	Choe	D643,418 S	8/2011	Lee et al.
D529,901 S	10/2006	Ohta	D643,833 S	8/2011	Lee et al.
D531,169 S	10/2006	Tokioka et al.	8,068,633 B2	11/2011	Lee et al.
D535,642 S	1/2007	Garcia et al.	D652,817 S	1/2012	Lee et al.
D538,676 S	3/2007	Millen	D652,822 S	1/2012	Lee et al.
D542,282 S	5/2007	Yoshiyama	D658,157 S	4/2012	McManigal
D543,968 S	6/2007	Wong	D666,581 S	9/2012	Perez
D543,972 S	6/2007	Taylor	D666,996 S	9/2012	Hardi et al.
D550,657 S	9/2007	Gan et al.	D673,531 S	1/2013	Lee et al.
D554,109 S	10/2007	Ledbetter et al.	D676,026 S	2/2013	Lee et al.
D554,627 S	11/2007	Gondo	D678,251 S	3/2013	Cantoni et al.
D555,152 S	11/2007	Wang	8,391,536 B2	3/2013	Hashimoto
D556,735 S	12/2007	Yeo	D679,267 S	4/2013	Lee et al.
D558,735 S	1/2008	Carr et al.	D683,332 S	5/2013	Lee et al.
D559,837 S	1/2008	Nakano	D684,467 S	6/2013	Macaulay et al.
D564,495 S	3/2008	Sasaki	D686,597 S	7/2013	Lee et al.
7,349,550 B2	3/2008	Oliveira et al.	D689,471 S	9/2013	Hardi et al.
D566,104 S	4/2008	Suzuki	D691,464 S	10/2013	Lee et al.
D566,687 S	4/2008	Duarte et al.	D692,754 S	11/2013	Akana et al.
D567,646 S	4/2008	Ballard	8,660,287 B2	2/2014	Stephenson
D569,841 S	5/2008	Chung et al.	D701,195 S	3/2014	Katsumata
D573,977 S	7/2008	Ledbetter et al.	D707,652 S	6/2014	Brunner et al.
D574,367 S	8/2008	Jaakkola et al.	D712,279 S	9/2014	Akana et al.
D575,772 S	8/2008	Schultz et al.	D712,382 S	9/2014	Brunner et al.
D576,154 S	9/2008	Ledbetter et al.	D713,740 S	9/2014	Akana et al.
D578,507 S	10/2008	Ando	D716,272 S	10/2014	Yang
			D716,273 S	10/2014	Yamamoto
			D716,770 S	11/2014	Bonahoom et al.
			D723,792 S	3/2015	Anderson et al.
			D727,732 S	4/2015	Petty

(56)

References Cited

U.S. PATENT DOCUMENTS

D727,871 S 4/2015 Orbach
 D732,509 S 6/2015 Brunner et al.
 D732,951 S 6/2015 Ahn et al.
 D734,142 S 7/2015 Lee et al.
 D734,744 S 7/2015 Brunner et al.
 D740,690 S 10/2015 Glass et al.
 D741,299 S 10/2015 Brunner et al.
 D742,859 S 11/2015 Miyake et al.
 D742,860 S 11/2015 Miyake et al.
 D743,945 S 11/2015 Brunner et al.
 D743,946 S 11/2015 Brunner et al.
 D745,394 S 12/2015 Hood et al.
 D746,792 S 1/2016 Kim
 D749,964 S 2/2016 Glass et al.
 D751,530 S 3/2016 Kolton
 D758,841 S 6/2016 Russo
 D762,465 S 8/2016 Popper et al.
 D762,616 S 8/2016 Hsieh et al.
 D774,489 S 12/2016 Loh Jun Kern et al.
 D774,896 S 12/2016 Mayer et al.
 D774,897 S 12/2016 Mayer et al.
 D774,898 S 12/2016 Mayer et al.
 D775,108 S 12/2016 Hsieh et al.
 D776,522 S 1/2017 Mayer et al.
 D779,327 S 2/2017 Fraser et al.
 D780,155 S 2/2017 Levine et al.
 D782,297 S * 3/2017 Vaske D9/418
 D786,663 S 5/2017 Mayer et al.
 D786,664 S 5/2017 Lee
 D786,665 S 5/2017 Lee
 D799,316 S 10/2017 Thain et al.
 D799,317 S 10/2017 Sill et al.
 D803,185 S 11/2017 Loh Jun Kern et al.
 D816,480 S * 5/2018 Sill D9/418
 D831,610 S 10/2018 Aoyagi et al.
 D840,218 S 2/2019 Thain et al.

D847,626 S * 5/2019 Sill D9/418
 D847,780 S 5/2019 Brunner et al.
 D856,795 S * 8/2019 Sill D9/418
 D876,221 S 2/2020 Thain et al.
 D881,000 S * 4/2020 Sill D9/418
 D881,002 S * 4/2020 Sill D9/418
 D886,574 S * 6/2020 Thain D9/415
 D896,629 S * 9/2020 Akana D9/415
 2011/0051979 A1 3/2011 Lee et al.
 2011/0211723 A1 9/2011 Annunziato

OTHER PUBLICATIONS

Ebay. New Silver Beats by Dre urBeats Special Edition. No date specified. <https://ebay.to/3kIvfni> (Year: 0).*

Mac Rumors. Apple Gifts Retail Employees With UrBeats Earphones for the Holidays by Juli Clover. Dated Dec. 7, 2015. URL:<https://www.macrumors.com/2015/12/07/apple-mbeats-holiday-gift-2015/>.

Search Report for Taiwanese Application No. 099303307 dated Oct. 3, 2011.

Ammunition Group. Beats Powerbeats2 Wireless Review. Reportedly retrieved Aug. 24, 2016. URL:<http://www.ammunitiongroup.com/work/powerbeats2-wireless/>.

DIY Trade. Powerbeats2 Wireless Earphones. Reportedly retrieved Aug. 24, 2016. URL:http://www.diytrade.com/china/pd/12771090/Powerbeats2_Wireless_Earphones_Powerbeats_Wireless_Earbud_Powerbeats_2_Wireless.html.

Police Auctions Canada. urBeats Earphones. Dated Jul. 11, 2017. URL: <https://www.policeauctionscanada.com/Listing/Details/14180794/urBeats-Earphones-Silver-1462178>.

Patently Apple. Apple hit with a 15 Count Class Action Lawsuit Regarding Defective Powerbeats Headphones. Dated Sep. 13, 2017. <https://www.patentlyapple.com/patently-apple/2017/09/apple-hit-with-a-15-count-class-action-lawsuit-regarding-defective-powelbeats-headphones.html>.

* cited by examiner

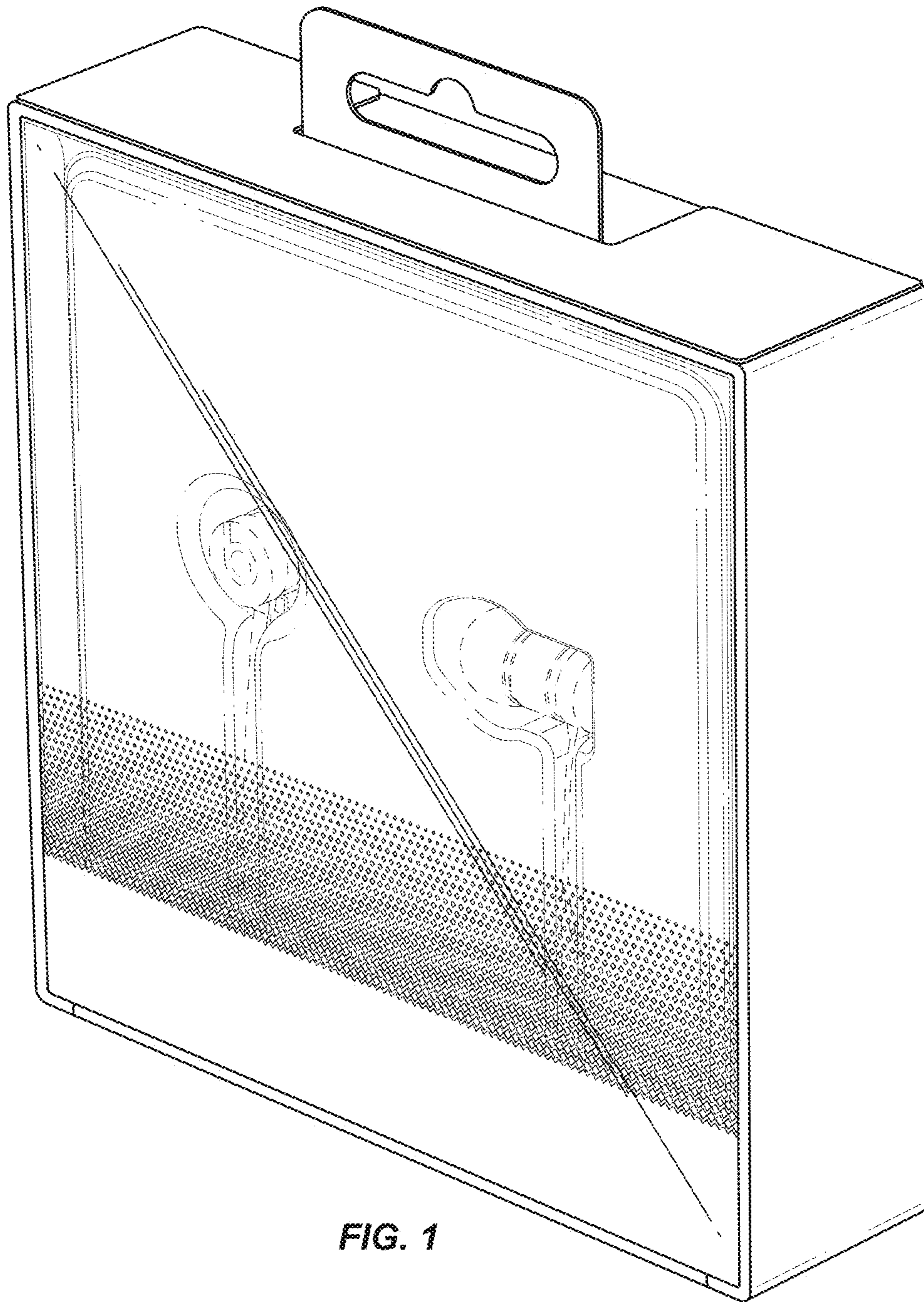


FIG. 1

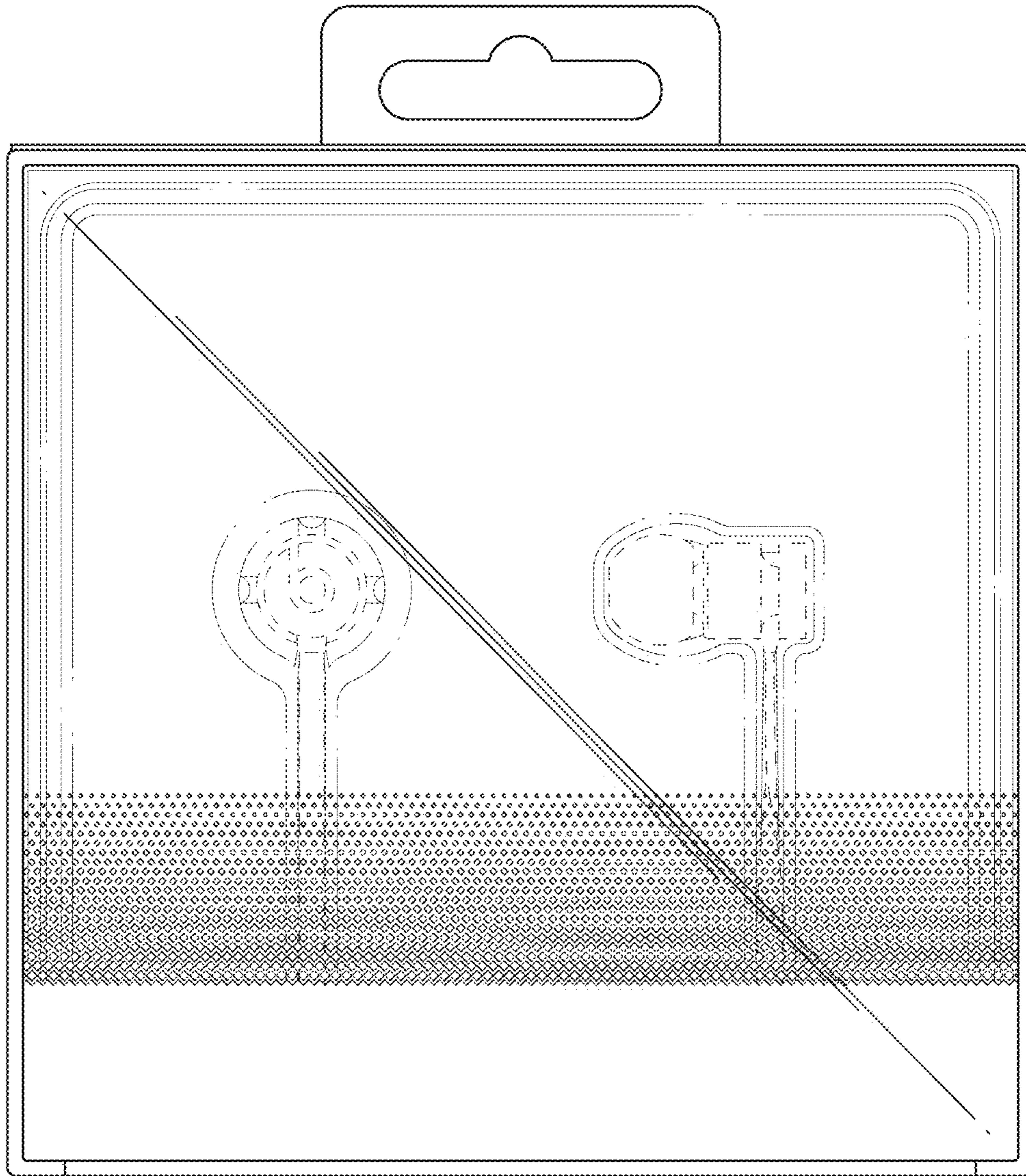


FIG. 2

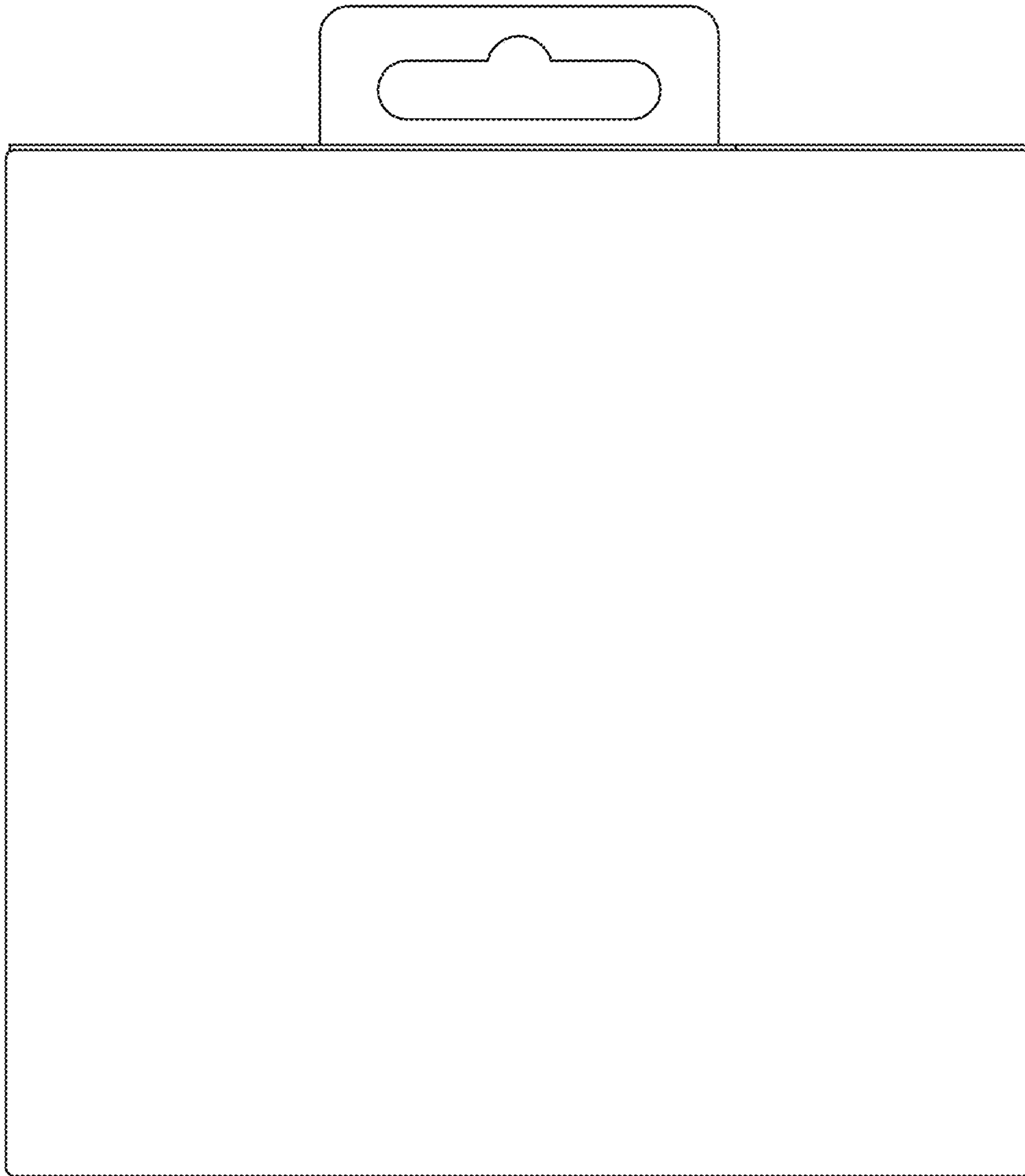


FIG. 3

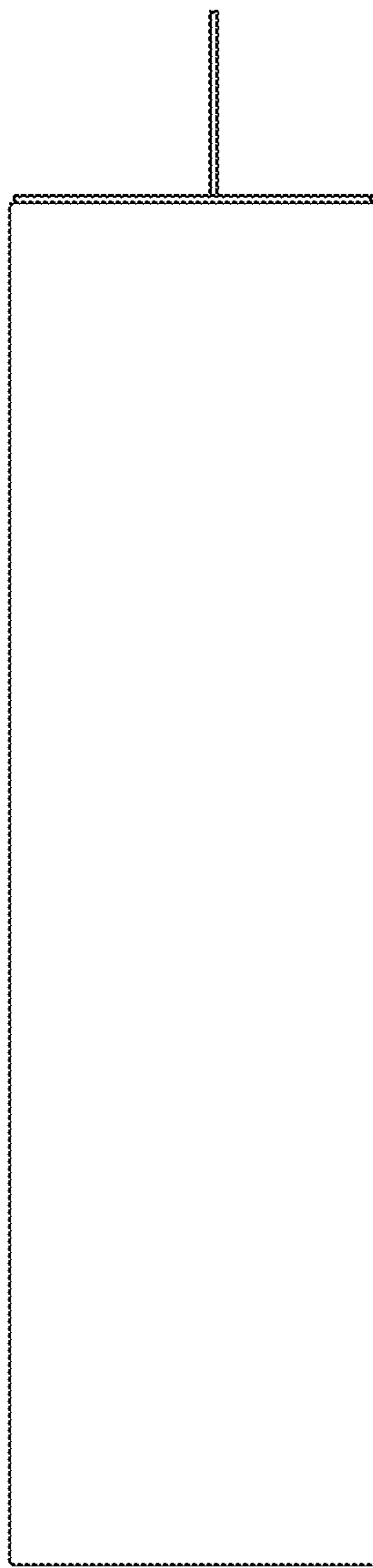


FIG. 4

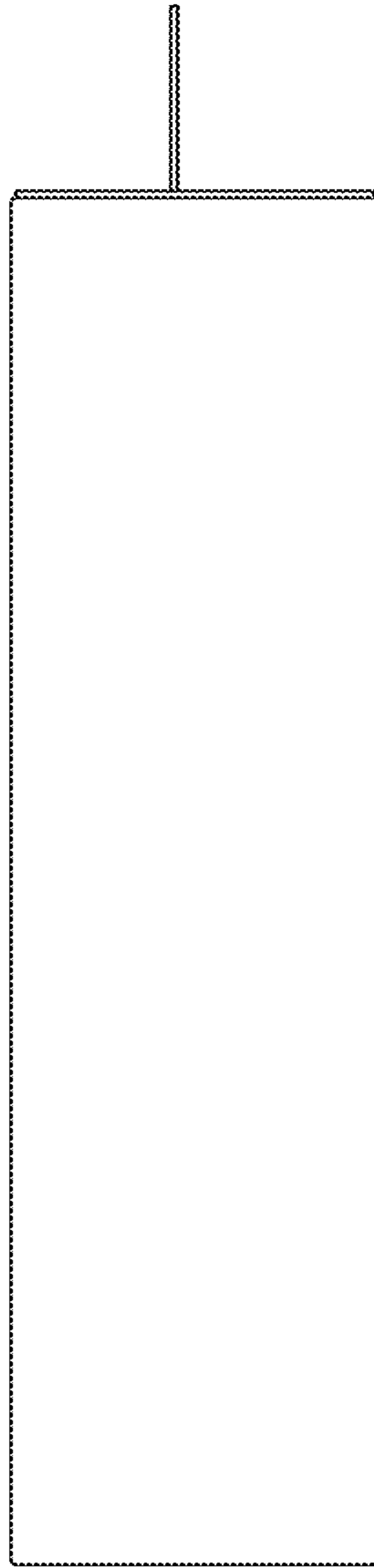


FIG. 5



FIG. 6

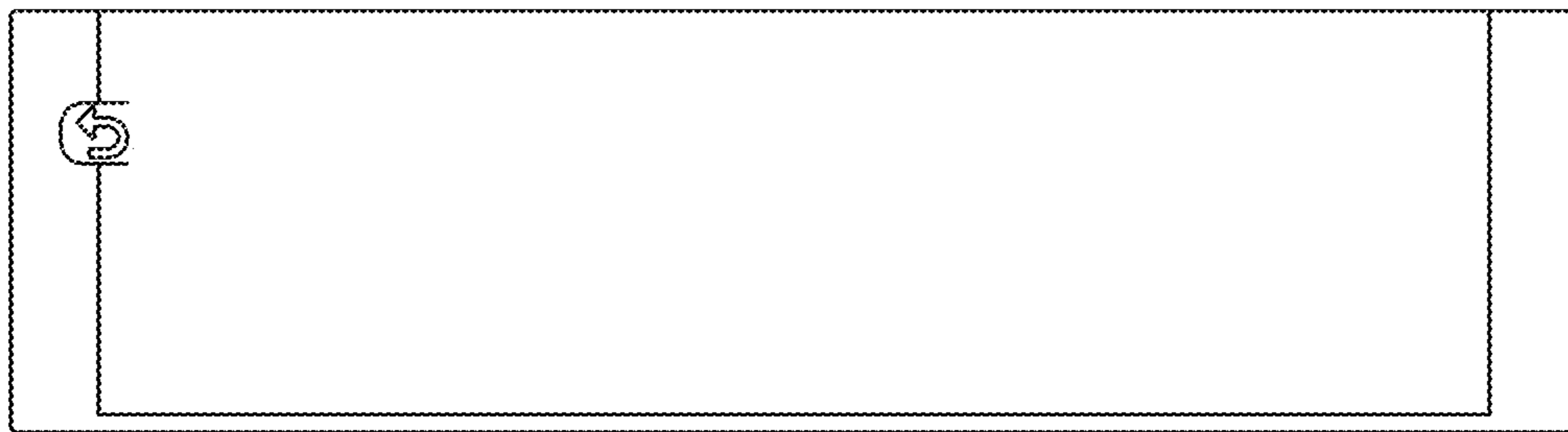


FIG. 7