



US00D909859S

(12) **United States Design Patent**
Tekunoff

(10) **Patent No.:** **US D909,859 S**

(45) **Date of Patent:** **** Feb. 9, 2021**

(54) **HUB AND CONNECTOR**

(71) Applicant: **Uriel Tekunoff**, Los Angeles, CA (US)

(72) Inventor: **Uriel Tekunoff**, Los Angeles, CA (US)

(**) Term: **15 Years**

(21) Appl. No.: **29/701,011**

(22) Filed: **Aug. 7, 2019**

(51) **LOC (13) Cl.** **08-08**

(52) **U.S. Cl.**
USPC **D8/394**

(58) **Field of Classification Search**
USPC D8/382, 383, 394, 395, 499; D11/200,
D11/212, 218; D21/839
CPC .. F16B 1/00; F16B 2001/0028; H01F 7/0263;
A44B 99/005; A44B 1/32; A44B 13/00;
A44B 11/20; B60J 7/104; E04H 15/64;
Y10T 24/21; Y10T 24/44034; Y10T
24/44043

See application file for complete search history.

(56) **References Cited**

U.S. PATENT DOCUMENTS

108,520 A	10/1870	Sackermann
366,536 A	7/1887	Voorhis
384,736 A	6/1888	Bedford
440,459 A	11/1890	Biebuyuck
696,228 A	3/1902	Dunn
696,912 A	4/1902	Ross
708,534 A	9/1902	De Lancey
710,435 A	10/1902	Cushman
736,811 A	8/1903	Booth
766,500 A	8/1904	Hatfield
846,476 A	3/1907	Hynard
882,483 A	3/1908	Wilson
1,055,440 A	3/1913	Boden
1,172,703 A	2/1916	Grooms
1,261,588 A	4/1918	Mittelstadt
1,266,583 A	5/1918	Goubert

D56,042 S *	8/1920	De Ver et al.	D11/212
1,395,192 A	10/1921	Landgraf	
1,704,262 A	3/1929	Russ	
1,754,200 A	4/1930	Janes	
1,764,670 A	6/1930	Arndt	
2,246,852 A	6/1939	Kale	
2,172,309 A *	9/1939	Langhammer	A41F 11/04 24/478
2,227,579 A *	1/1941	Harley	B62D 1/06 74/558
2,274,069 A *	2/1942	Johnson	B62D 1/043 74/557
2,506,332 A	5/1950	Bedford	
D171,440 S *	2/1954	Chisholm et al.	D11/212

(Continued)

Primary Examiner — Steven J Czyz

(74) *Attorney, Agent, or Firm* — Buche & Associates,
P.C.; John K. Buche; Bryce A. Johnson

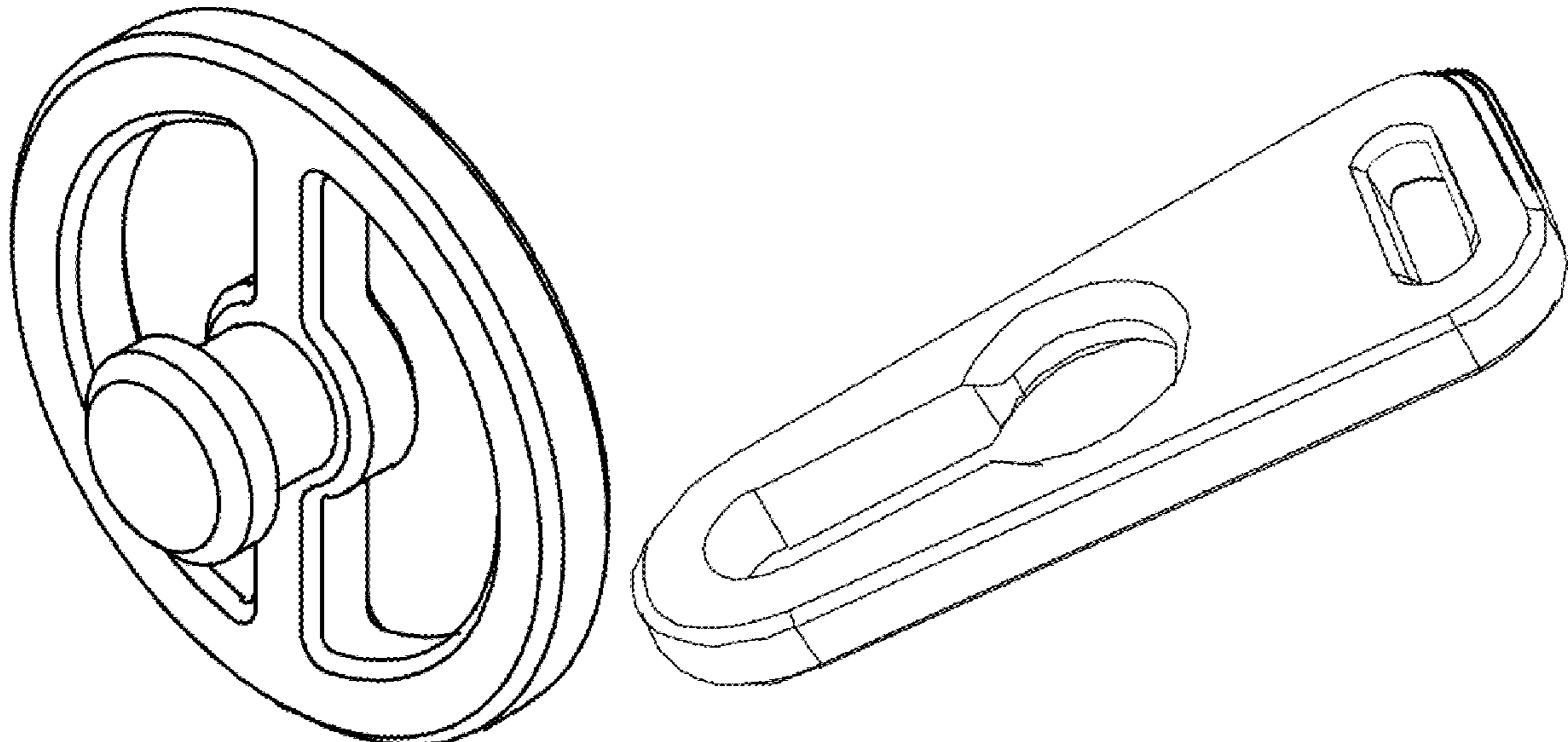
(57) **CLAIM**

The ornamental design for a hub and connector, as shown and described.

DESCRIPTION

FIG. 1 is a perspective view of the hub portion of a hub and connector;
FIG. 2 is a side view thereof;
FIG. 3 is a perspective view thereof;
FIG. 4 is a perspective view of the Connector portion of the hub and connector thereof;
FIG. 5 is a plan view thereof;
FIG. 6 is a plan view of a hub and connector, shown in a first state of use;
FIG. 7 is another plan view of the hub and connector, shown in a second state of use; and,
FIG. 8 is yet another plan view of the hub and connector, shown in an alternate state of use.
The broken lines depict environment that form no part of the claimed design.

1 Claim, 3 Drawing Sheets



(56)

References Cited

U.S. PATENT DOCUMENTS

2,828,645	A *	4/1958	Wilfert	B60Q 1/1484 74/484 R	5,564,131	A *	10/1996	Anscher	A44B 11/2592 2/336
2,898,602	A	8/1959	Moss		D375,248	S *	11/1996	Bryant	D8/344
3,438,063	A	4/1969	Loston		5,927,580	A *	7/1999	Ward-Llewellyn	A45F 5/02 224/194
3,454,994	A *	7/1969	Andrews	A44B 13/0017 24/669	6,006,974	A *	12/1999	Varney	A45F 3/047 224/645
3,542,426	A *	11/1970	Radke	A44B 11/2549 24/579.11	6,138,881	A	10/2000	Paul	
3,583,042	A *	6/1971	Ishizaka et al.	A45C 11/38 24/265 R	6,253,428	B1 *	7/2001	Wang	A41F 1/006 24/695
3,878,589	A	4/1975	Schaefer		6,283,348	B1 *	9/2001	Wang	A45F 5/02 224/197
3,885,811	A	5/1975	Takada		6,311,884	B1 *	11/2001	Johnson	A45F 3/04 224/153
3,990,131	A *	11/1976	Okamura	A44B 99/005 24/453	6,687,963	B1 *	2/2004	Chang	A44B 11/2584 24/265 BC
4,046,296	A	9/1977	McGhee		6,722,544	B1	4/2004	Stephens	
D246,141	S *	10/1977	Mazur	D11/212	6,842,952	B1 *	1/2005	Gilbert	A44B 11/2549 24/170
4,063,669	A	12/1977	Smilow		D535,911	S *	1/2007	Crisco	D11/200
4,116,310	A	9/1978	Shields		D562,124	S *	2/2008	Hargis	D8/394
4,271,999	A *	6/1981	Stravitz	A44B 11/2584 224/257	D611,321	S *	3/2010	Boies	D8/107
4,273,274	A	6/1981	Freistadt		7,694,395	B2 *	4/2010	Saderholm	A44B 11/06 24/200
4,402,641	A *	9/1983	Arff	F16B 19/004 24/297	7,857,181	B2 *	12/2010	Sacks	A45F 3/14 224/579
4,413,465	A	11/1983	Blevins		8,231,037	B2	7/2012	Sacks	
D273,091	S *	3/1984	Kurosaki	D8/382	D679,170	S *	4/2013	Else	D8/349
D288,162	S *	2/1987	Hutton	D11/212	9,249,814	B2 *	2/2016	Tsai	A45F 5/004
D295,722	S *	5/1988	Osada	D8/382	D758,078	S	6/2016	Enes	
D295,826	S *	5/1988	Osada	D8/382	D768,468	S *	10/2016	Maloney	D8/382
D295,951	S *	5/1988	Osada	D8/382	D774,380	S *	12/2016	Apter	D8/349
4,993,127	A *	2/1991	Mechem	A45C 13/30 224/257	9,777,756	B2 *	10/2017	Oakes	F16B 1/00
D328,186	S *	7/1992	Hanke	224/258	D813,720	S *	3/2018	Fantauzzo	D11/200
D329,192	S *	9/1992	Susac	D8/349	D815,562	S *	4/2018	Schommer	D11/200
5,172,455	A	12/1992	Johnson		D841,315	S *	2/2019	Ricks	D3/215
D337,255	S *	7/1993	Novelli, Sr.	D30/155	D843,824	S *	3/2019	Milani	D8/382
D338,153	S *	8/1993	Hutton	D11/212	D895,482	S *	9/2020	Pate	D11/212
D339,521	S *	9/1993	Bartlett	D11/212	2006/0064948	A1	3/2006	Chang	
5,274,885	A *	1/1994	Hellweg	A45F 5/02 224/272	2008/0047114	A1	2/2008	Wu	
5,415,332	A	3/1995	Kliot		2016/0143402	A1 *	5/2016	Stiles	A42B 3/0473 24/115 K
D358,567	S *	5/1995	Sirois	D11/212					

* cited by examiner

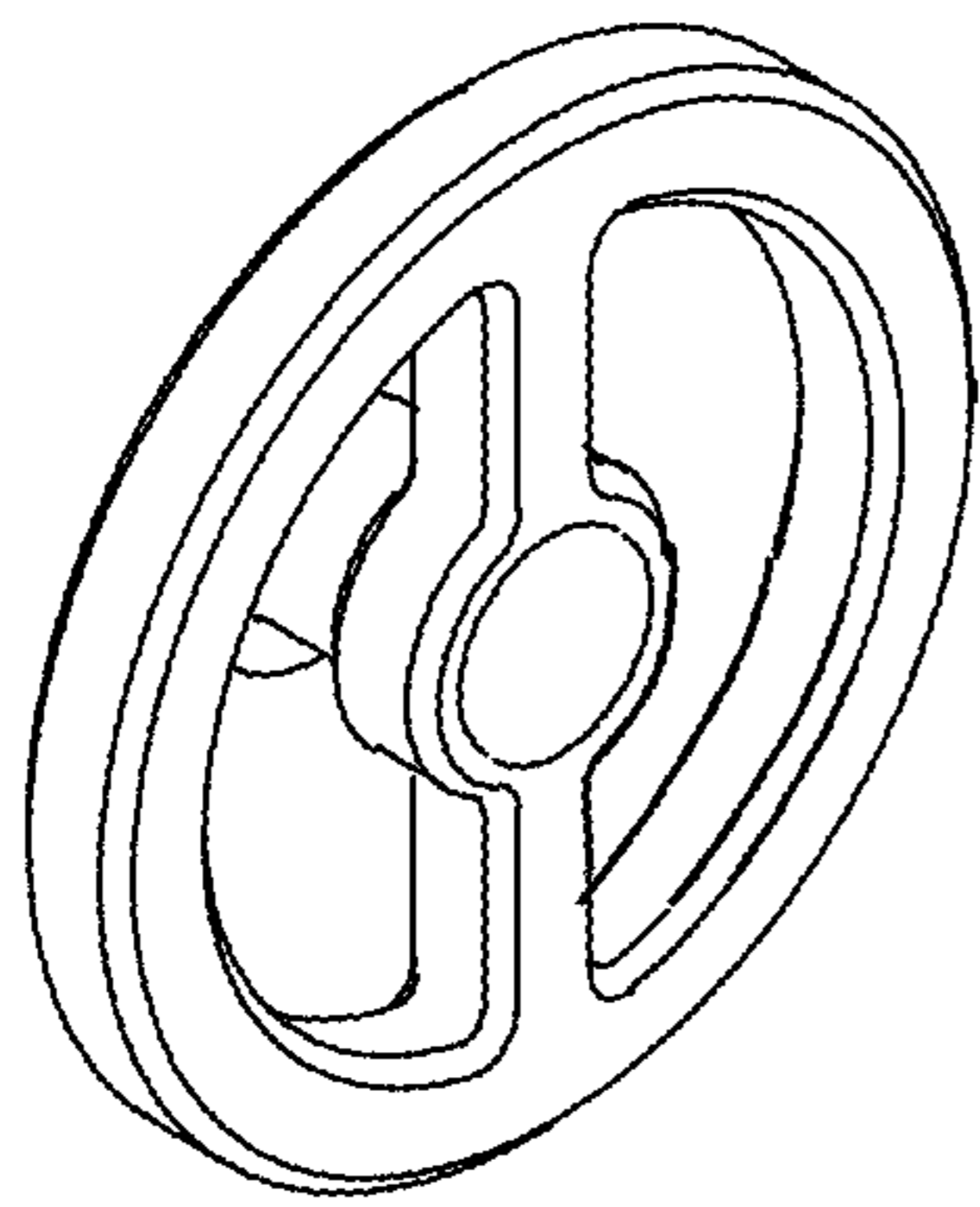


FIG. 1

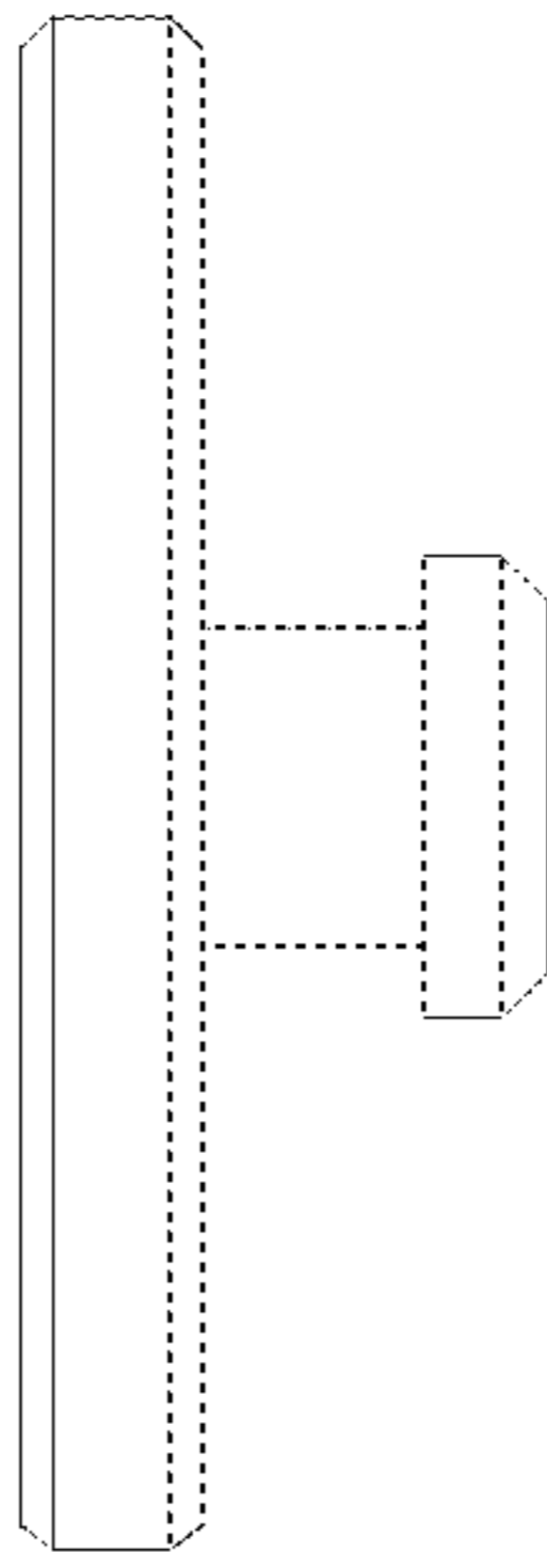


FIG. 2

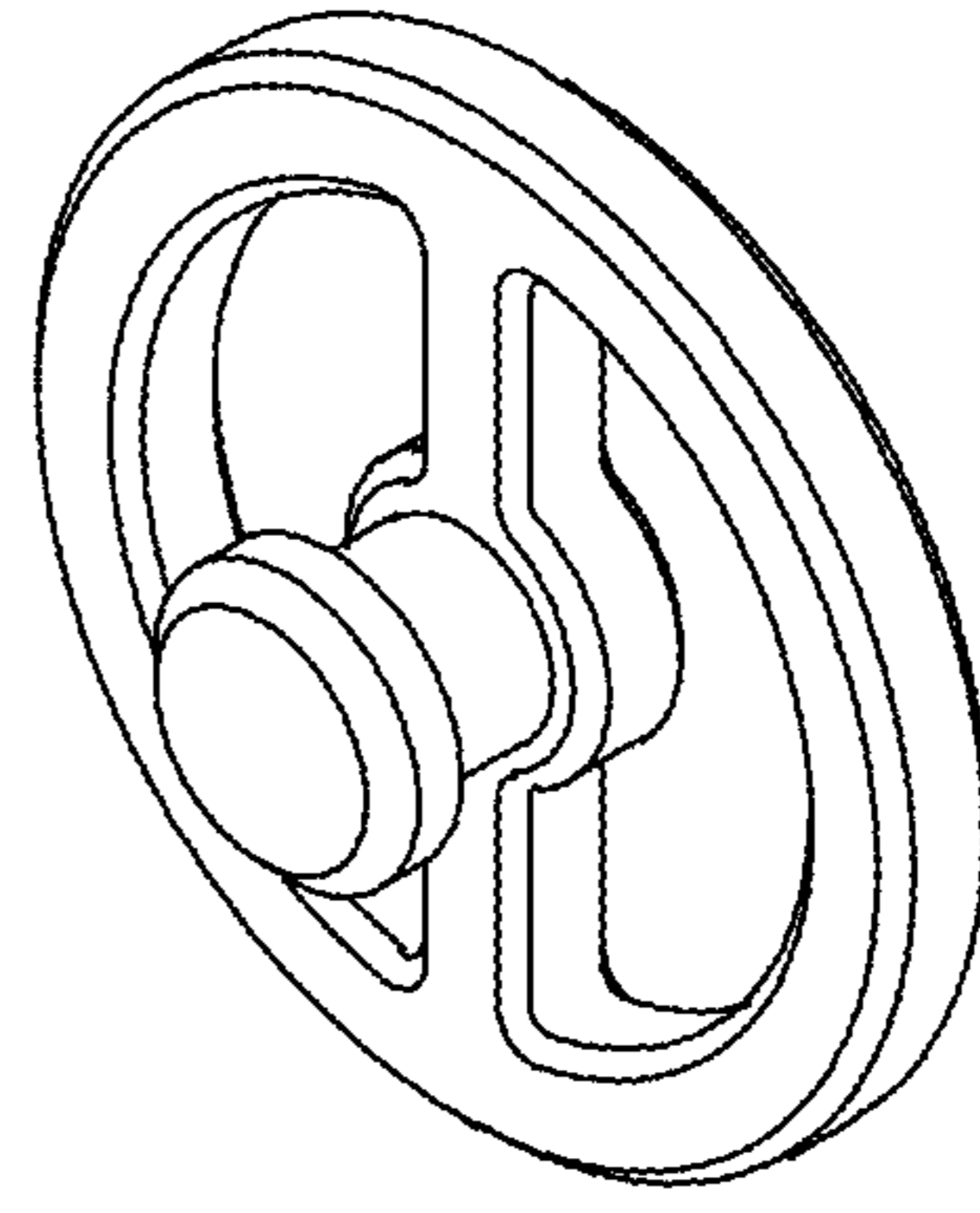


FIG. 3

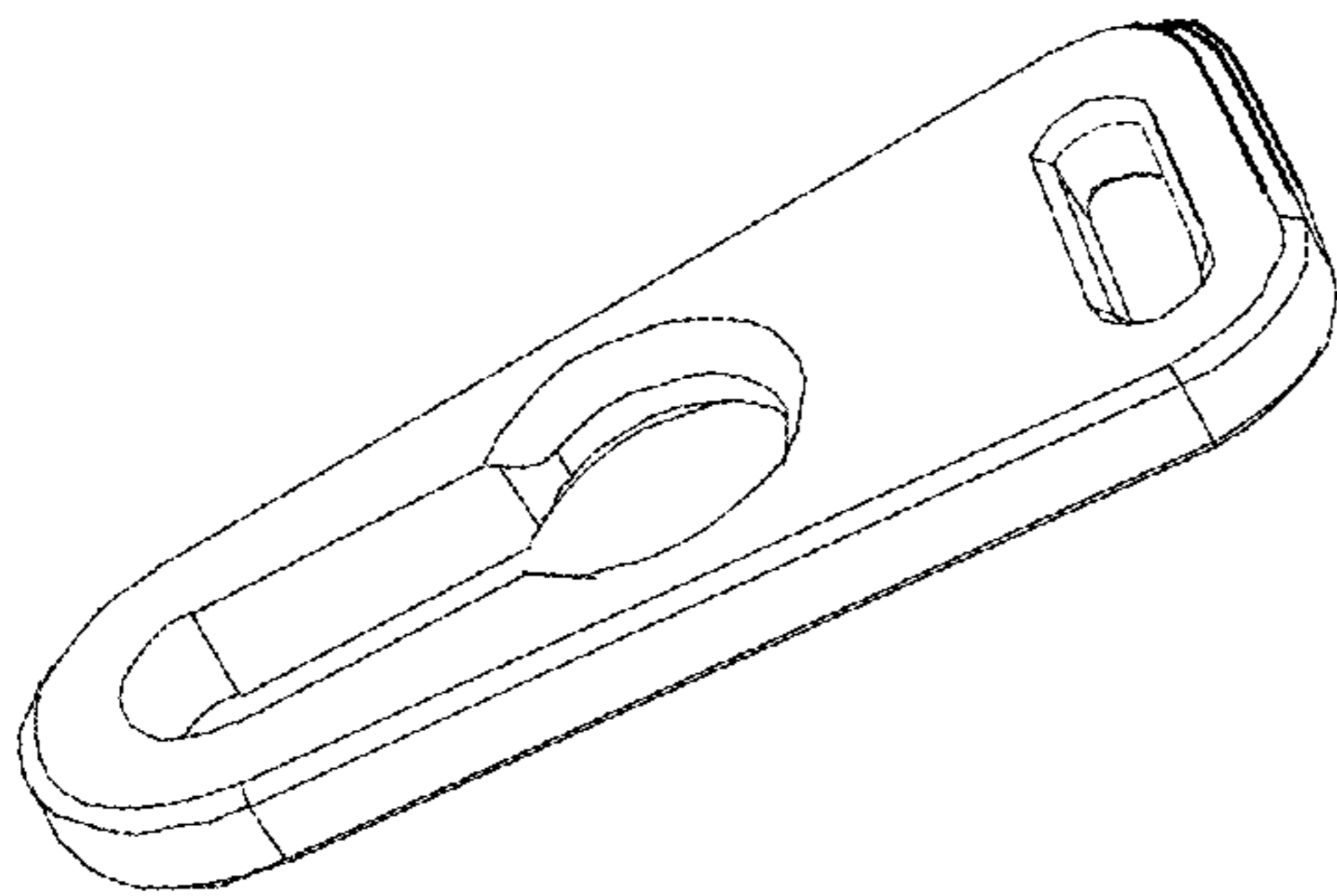


FIG. 4

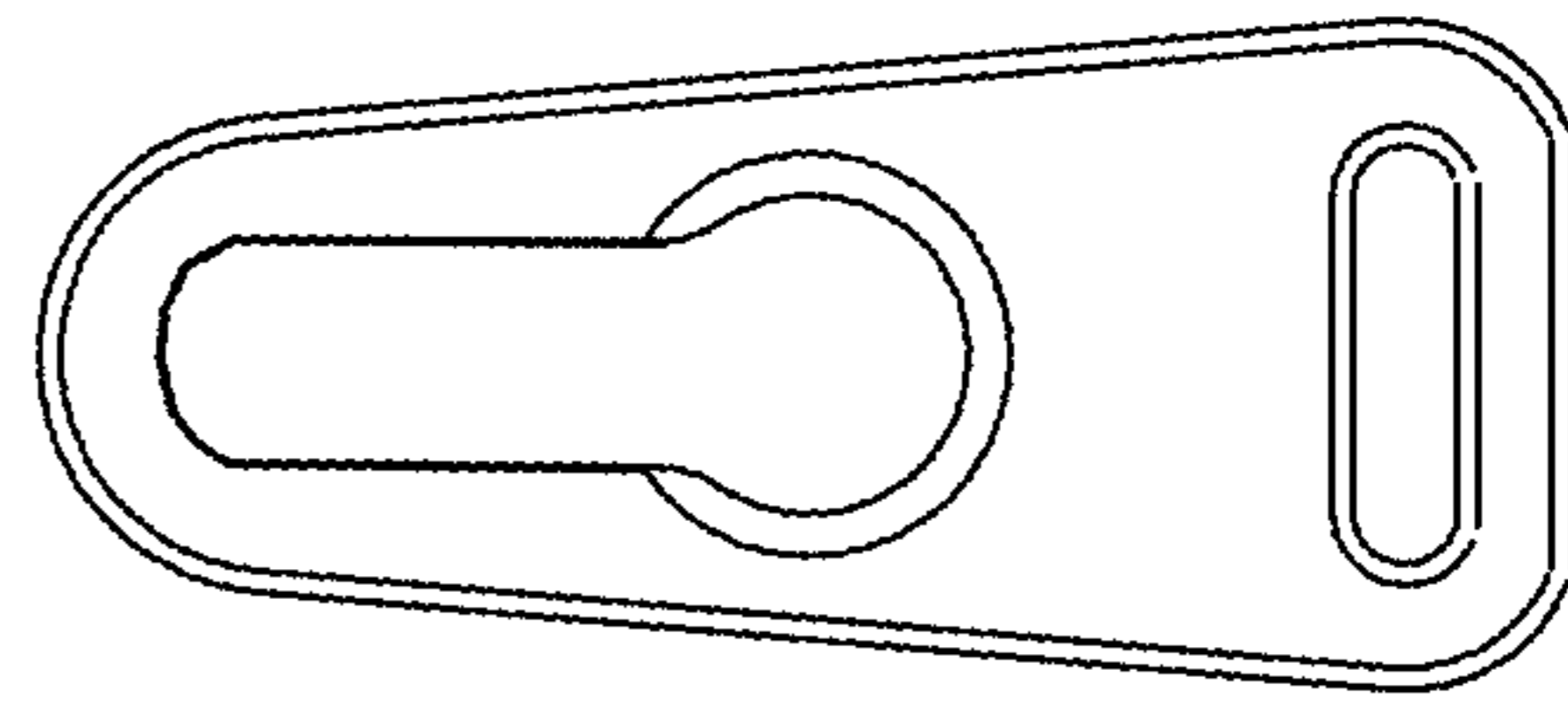


FIG. 5

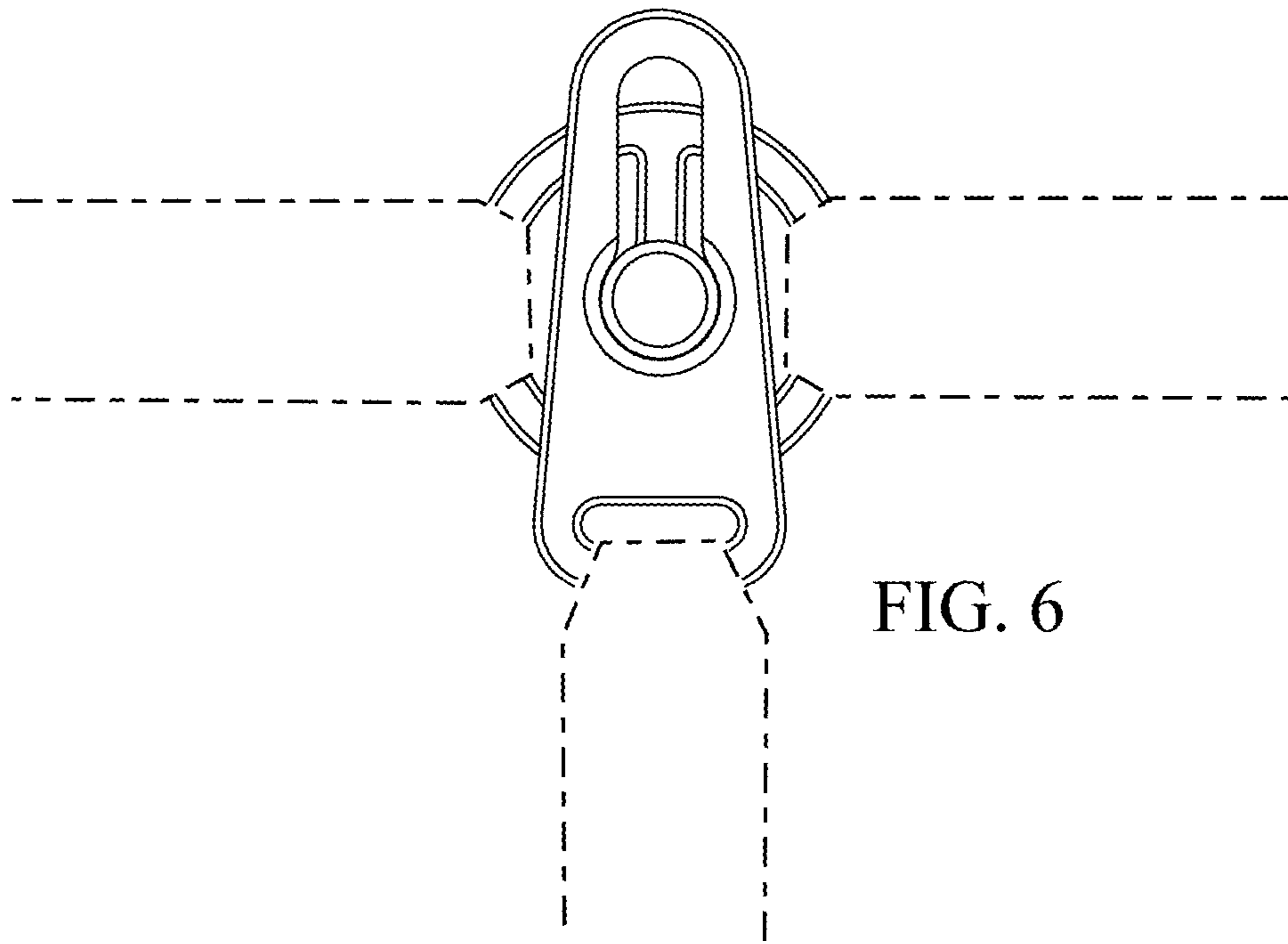


FIG. 6

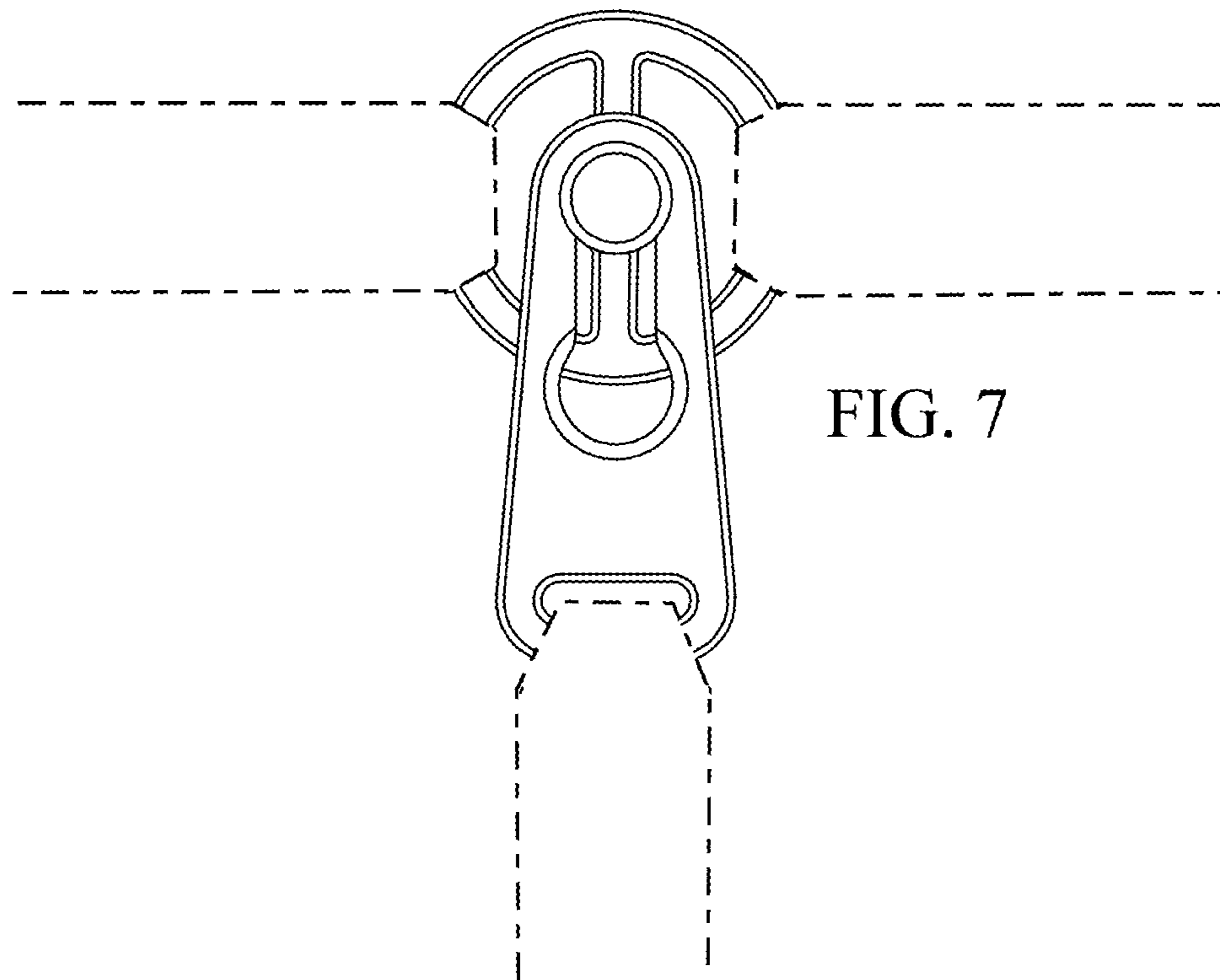


FIG. 7

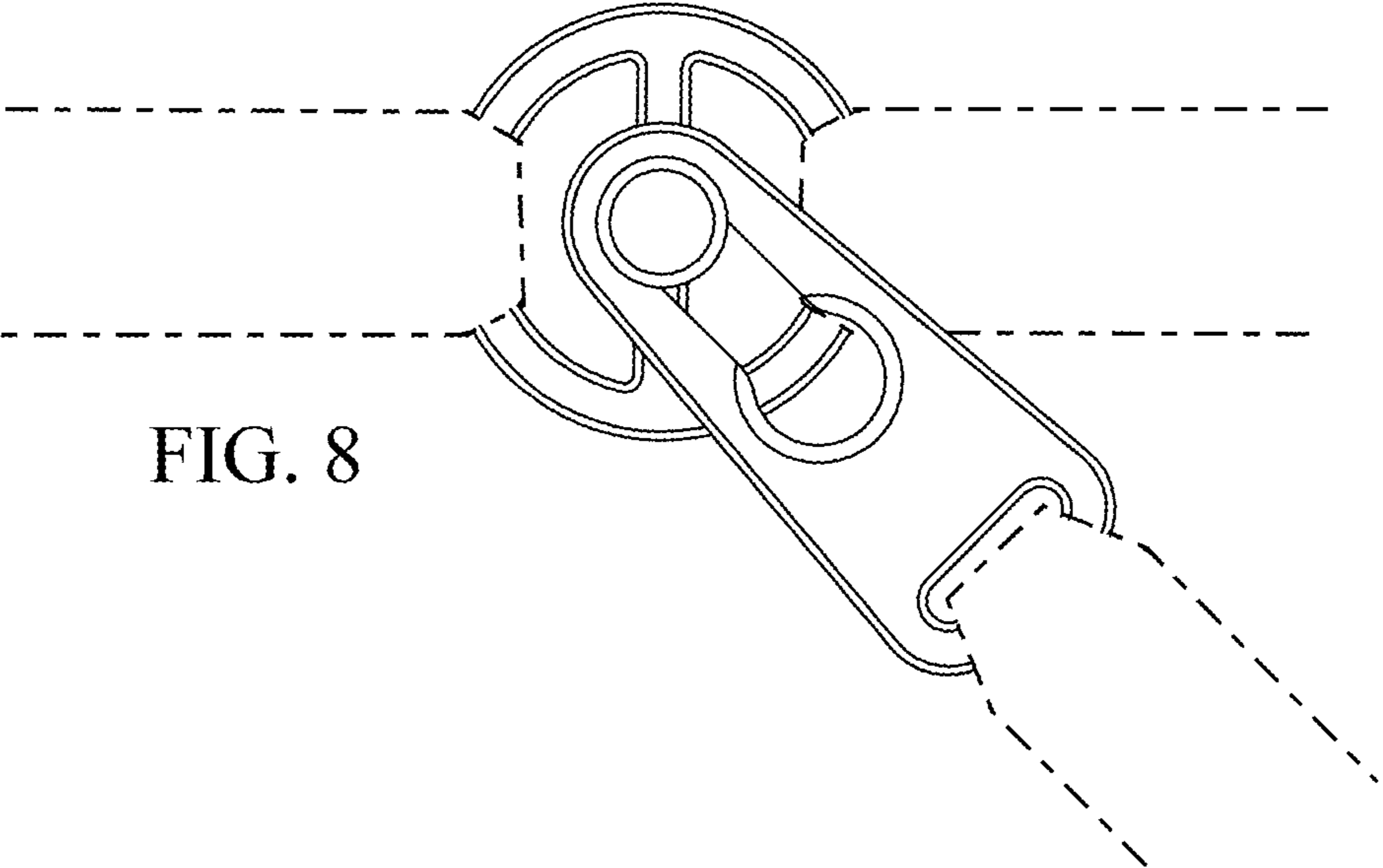


FIG. 8