



US00D909857S

(12) **United States Design Patent**
Cobzaru

(10) **Patent No.:** **US D909,857 S**
(45) **Date of Patent:** **** Feb. 9, 2021**

- (54) **BLIND FASTENER BOLT HEAD**
- (71) Applicant: **SPS TECHNOLOGIES, LLC**,
Jenkintown, PA (US)
- (72) Inventor: **Cristinel Cobzaru**, Murrieta, CA (US)
- (73) Assignee: **SPS TECHNOLOGIES, LLC**,
Jenkintown, PA (US)

- 6,371,709 B1 * 4/2002 Papafotiou B21H 3/02
238/372
 - 6,866,769 B2 * 3/2005 Anderson B23H 3/00
204/224 M
 - 8,888,425 B2 * 11/2014 Pratt F16B 19/1045
411/34
 - 9,297,407 B2 * 3/2016 Pudvah F16B 5/02
 - 9,822,907 B1 * 11/2017 Hennon F16B 43/001
- (Continued)

(**) Term: **15 Years**

(21) Appl. No.: **29/703,483**

(22) Filed: **Aug. 27, 2019**

(51) **LOC (13) Cl.** **08-08**

(52) **U.S. Cl.**
USPC **D8/387**

(58) **Field of Classification Search**
USPC D8/385, 387, 388, 391, 397
CPC F16B 5/0258; F16B 19/1036; F16B
19/1072; F16B 19/1054; F16B 19/004;
F16B 2019/006; F16B 2019/1009; F16B
2019/1018; F16B 23/0007; F16B
23/0015; F16B 23/0023; F16B 23/003;
F16B 23/0038; F16B 23/0046; F16B
23/00; F16B 23/0092; F16B 23/0084;
F16B 25/0036; F16B 25/0042; F16B
25/0015; F16B 25/0021; F16B 25/0026;
F16B 25/0031; F16B 25/0047; F16B
25/001; F16B 27/00; F16B 29/00; F16B
33/00; F16B 33/02; F16B 35/048; F16B
35/041

See application file for complete search history.

(56) **References Cited**

U.S. PATENT DOCUMENTS

- D157,484 S * 2/1950 Gade D8/397
- 2,971,425 A * 2/1961 Blakeley B25B 31/005
411/28
- 4,073,160 A * 2/1978 Perret B25B 13/065
411/403
- D248,014 S * 5/1978 DeCaro 411/405

FOREIGN PATENT DOCUMENTS

- | | | |
|----|------------|---------|
| EP | 1635994 | 3/2006 |
| JP | H0544343 | 6/1993 |
| WO | 2018224793 | 12/2018 |

OTHER PUBLICATIONS

International Search Report for International Application PCT/
US2020/047946, dated Oct. 23, 2020.

Primary Examiner — Sandra Snapp
Assistant Examiner — Ieisha N Price
 (74) *Attorney, Agent, or Firm* — Burriss Law, PLLC

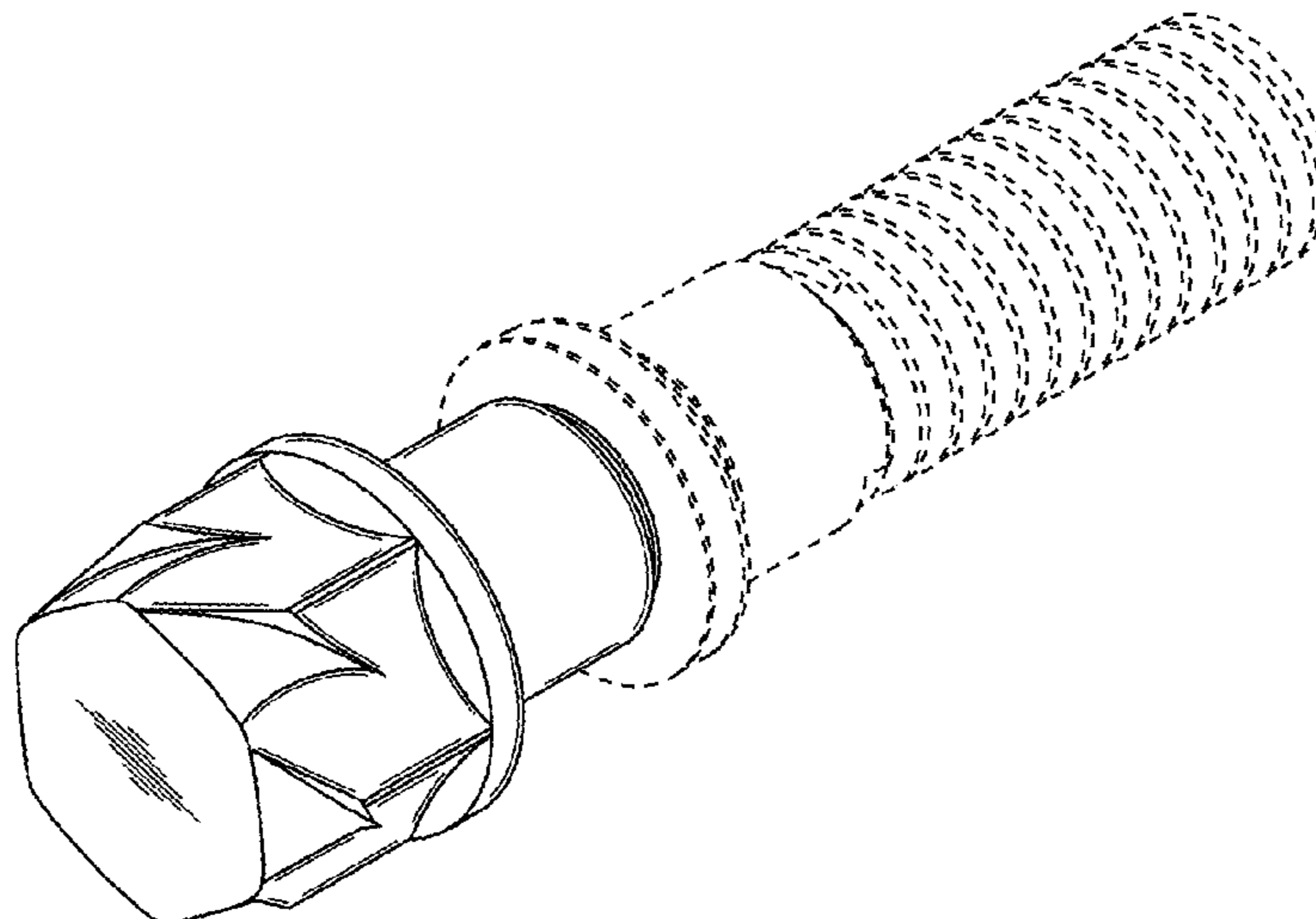
(57) **CLAIM**

The ornamental design for a blind fastener bolt head, as shown and described.

DESCRIPTION

FIG. 1 is a top-front perspective view of the blind fastener bolt head;
 FIG. 2 is a bottom-rear perspective view thereof;
 FIG. 3 is a front view thereof;
 FIG. 4 is a left side view thereof;
 FIG. 5 is a top view thereof;
 FIG. 6 is a right side view thereof;
 FIG. 7 is a rear view thereof; and,
 FIG. 8 is a bottom view thereof.
 The broken lines in the drawings illustrate portions of the blind fastener bolt head and form no part of the claimed design.

1 Claim, 4 Drawing Sheets



(56)

References Cited

U.S. PATENT DOCUMENTS

D859,973 S * 9/2019 Foerster, Jr. D8/397
 D878,194 S * 3/2020 Lee D8/397
 2003/0044257 A1* 3/2003 Siegel B21K 1/46
 411/402
 2010/0172717 A1* 7/2010 Corbett F16B 39/22
 411/366.1
 2011/0070051 A1* 3/2011 Chang F16B 23/0092
 411/405
 2011/0252925 A1* 10/2011 Whitehead B25B 15/005
 81/53.2
 2013/0272815 A1* 10/2013 Hufnagl F16B 19/1036
 411/55
 2014/0033494 A1* 2/2014 O'Sullivan F16B 23/00
 29/426.2
 2014/0112734 A1* 4/2014 Ambros F16B 25/0042
 411/387.1
 2014/0144300 A1* 5/2014 Marchand F16B 23/0061
 81/467

2014/0147226 A1* 5/2014 Andrade de Souza
 F16B 41/005
 411/3
 2015/0078860 A1* 3/2015 Ellingson F16B 33/02
 411/368
 2015/0086294 A1* 3/2015 Selle F16B 23/0007
 411/403
 2016/0102700 A1* 4/2016 Ulrich F16B 23/0007
 411/166
 2016/0215804 A1* 7/2016 Hufnagl F16B 13/061
 2016/0222222 A1* 8/2016 Stupar F16B 33/06
 2016/0312816 A1* 10/2016 Bjelobradic F16B 23/0038
 2017/0282236 A1* 10/2017 Hutter C22C 38/58
 2017/0343030 A1* 11/2017 Freyermuth F16B 35/048
 2017/0363129 A1* 12/2017 Bada B25B 13/065
 2018/0163766 A1* 6/2018 Haylock F16B 5/04
 2018/0223889 A1* 8/2018 Yi B21H 3/025
 2019/0063487 A1* 2/2019 Ikami F16B 39/30
 2019/0160520 A1 5/2019 Cobzaru
 2019/0162217 A1 5/2019 Vovan
 2019/0242426 A1* 8/2019 Moore F16B 4/004

* cited by examiner

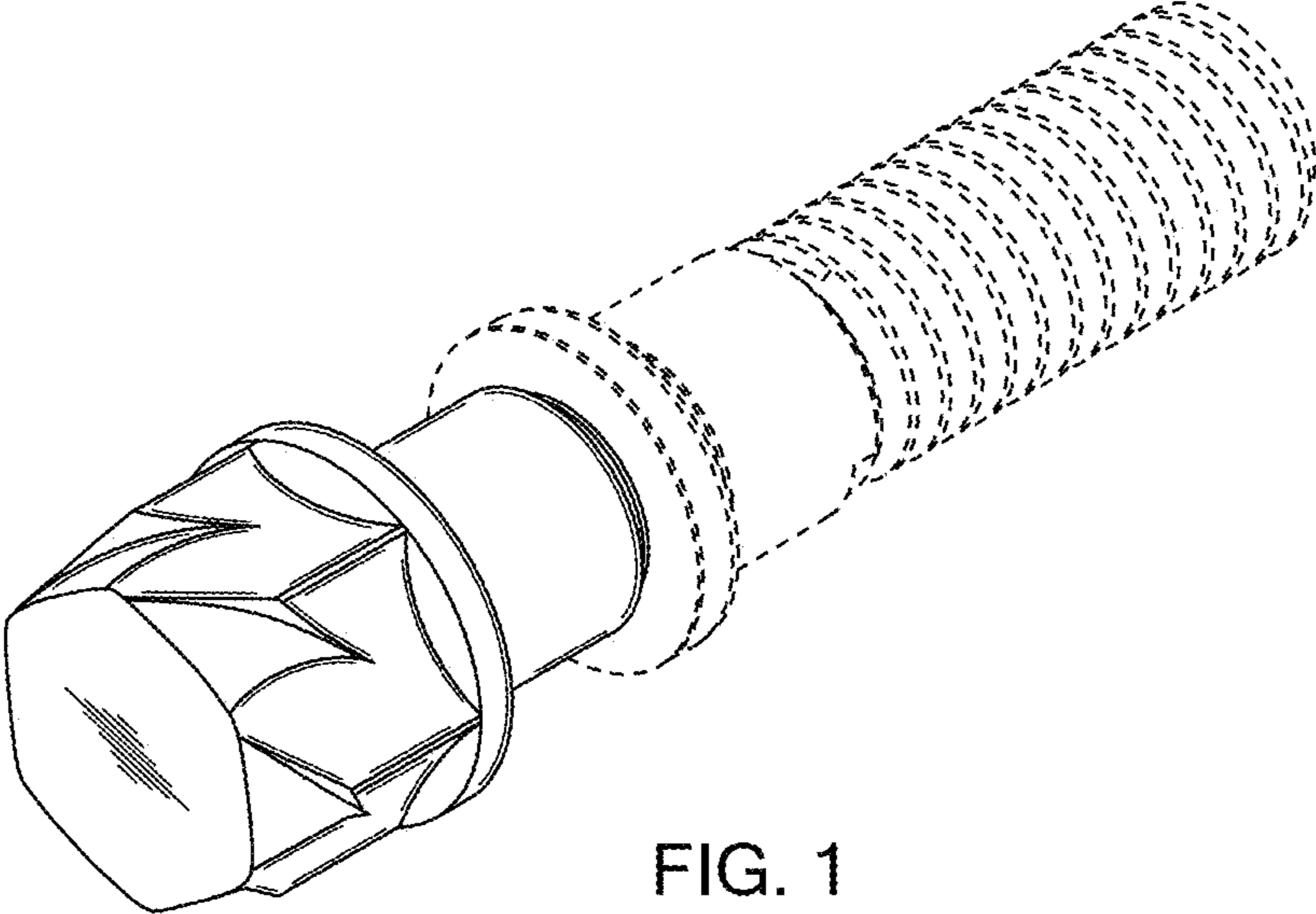


FIG. 1

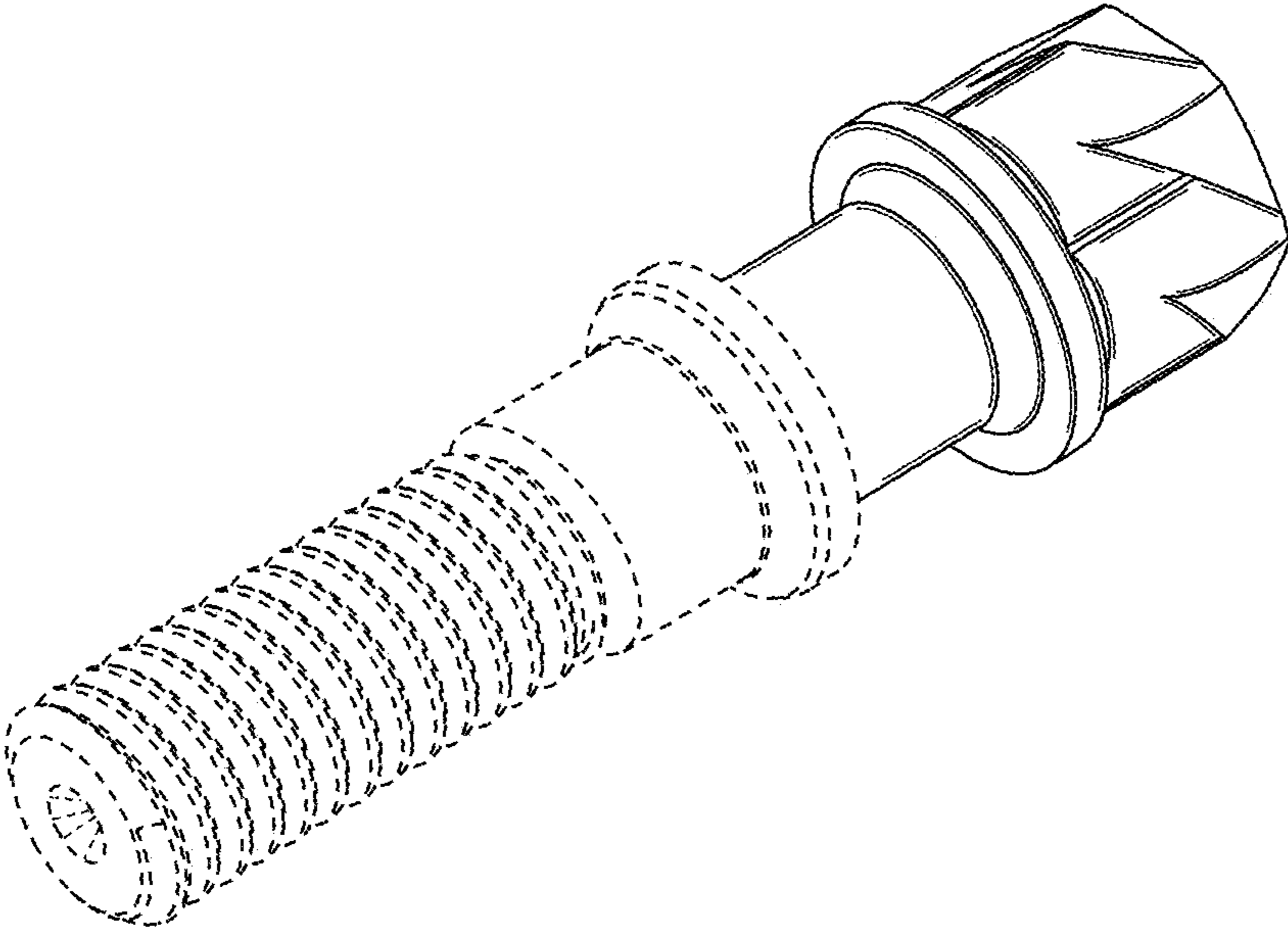


FIG. 2

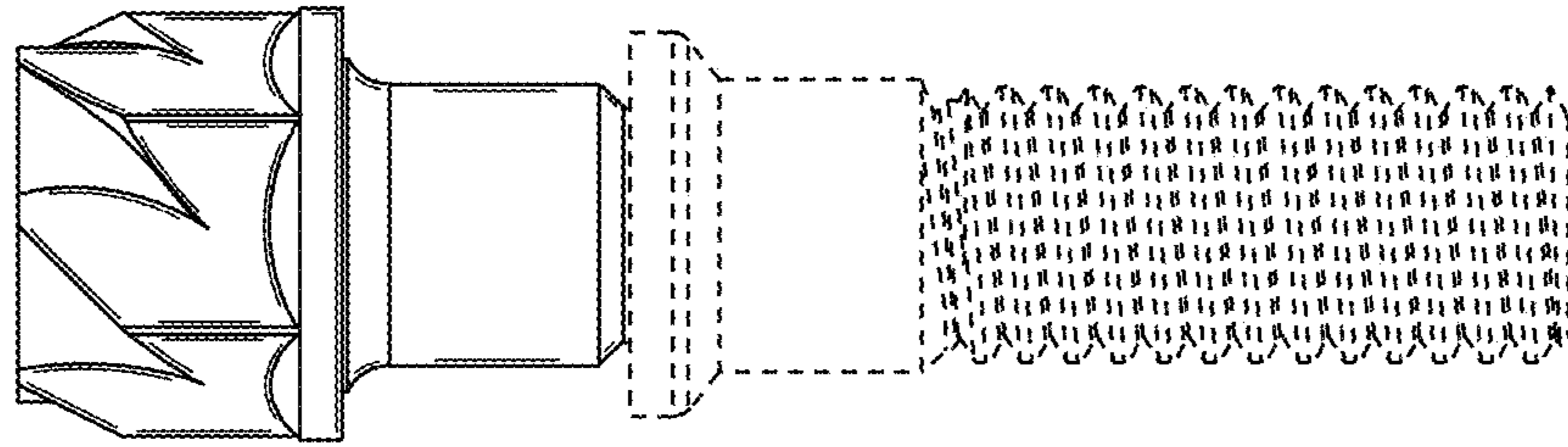


FIG. 3

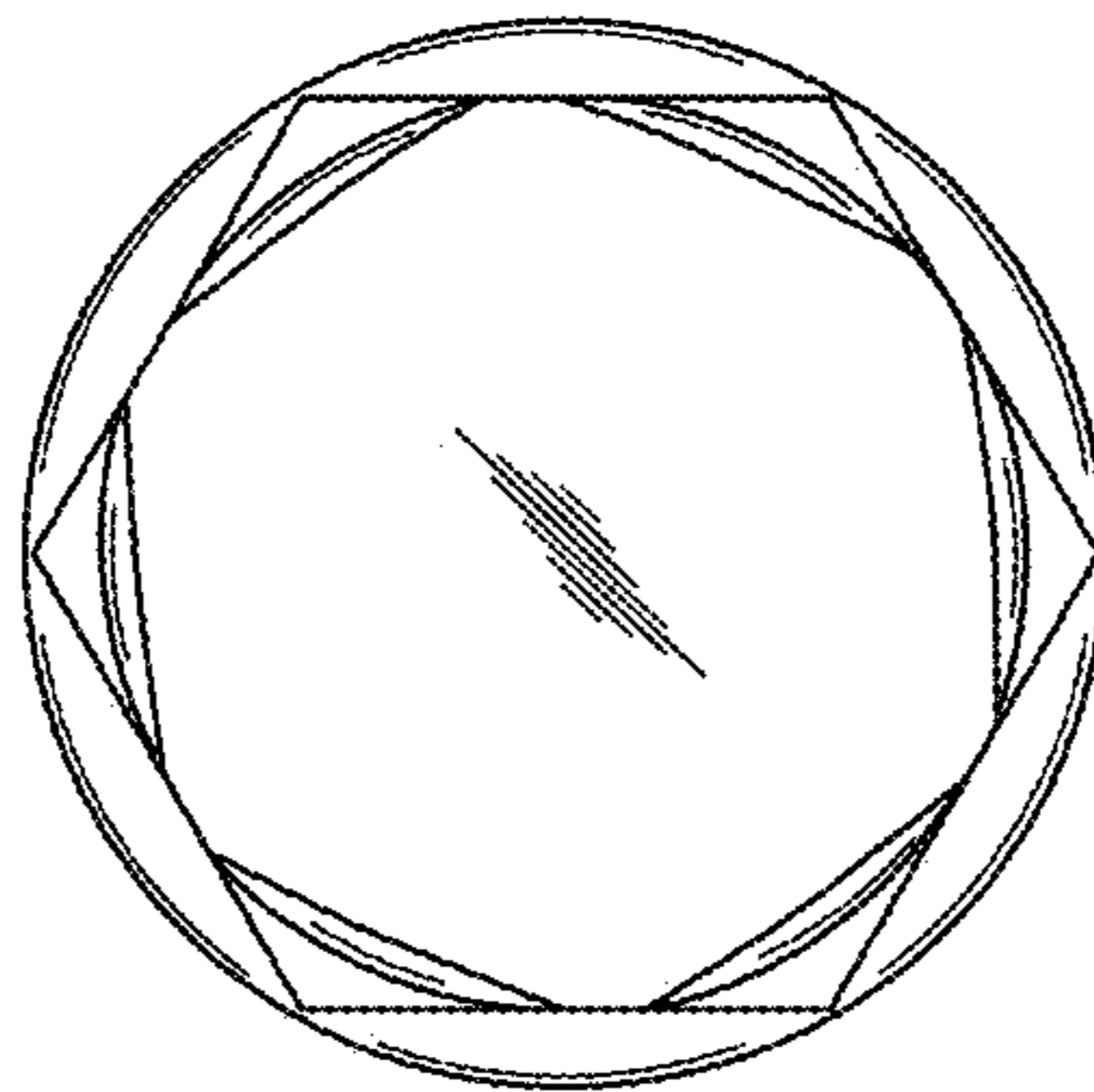


FIG. 4

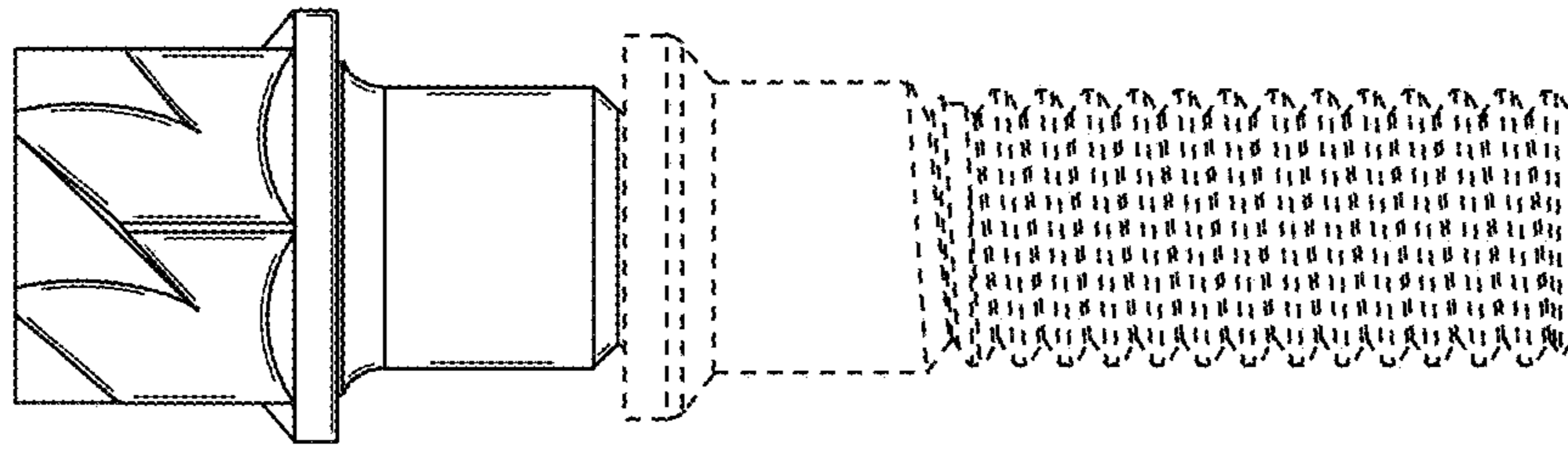


FIG. 5

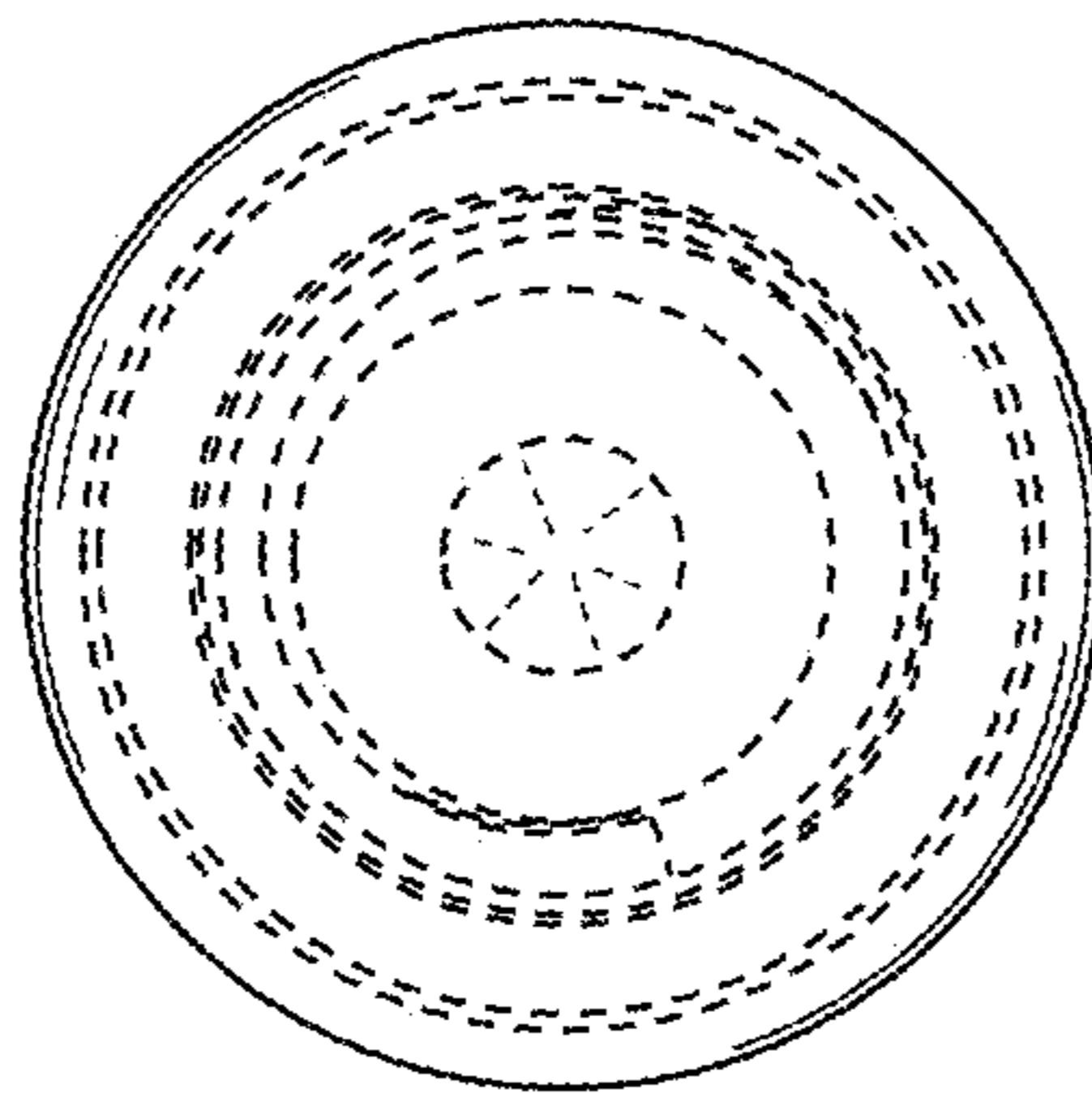


FIG. 6

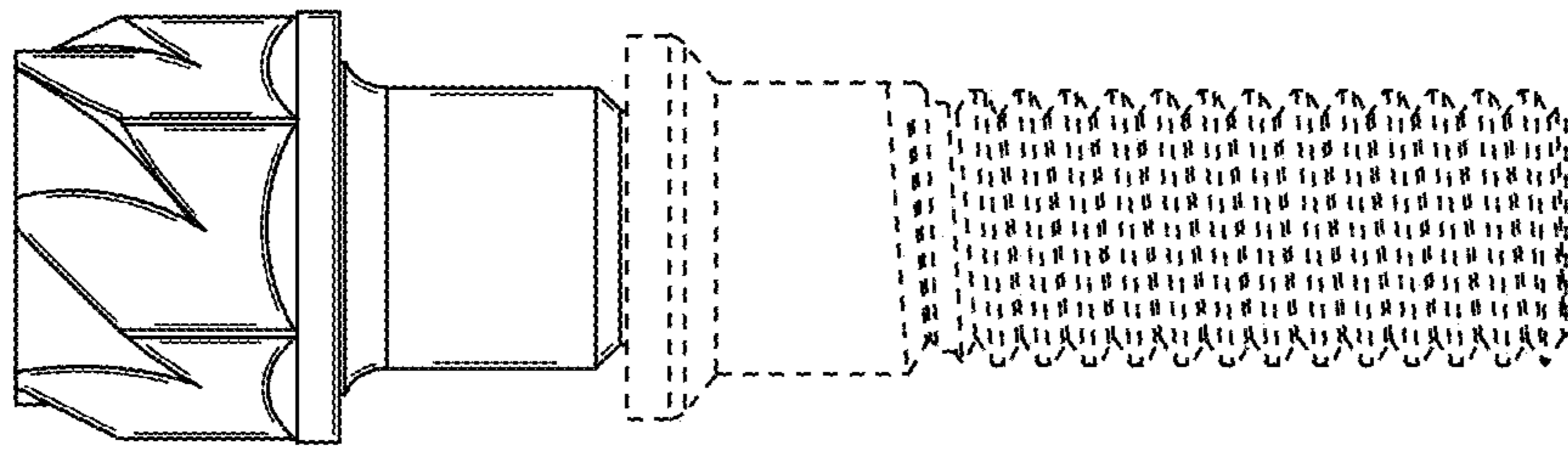


FIG. 7

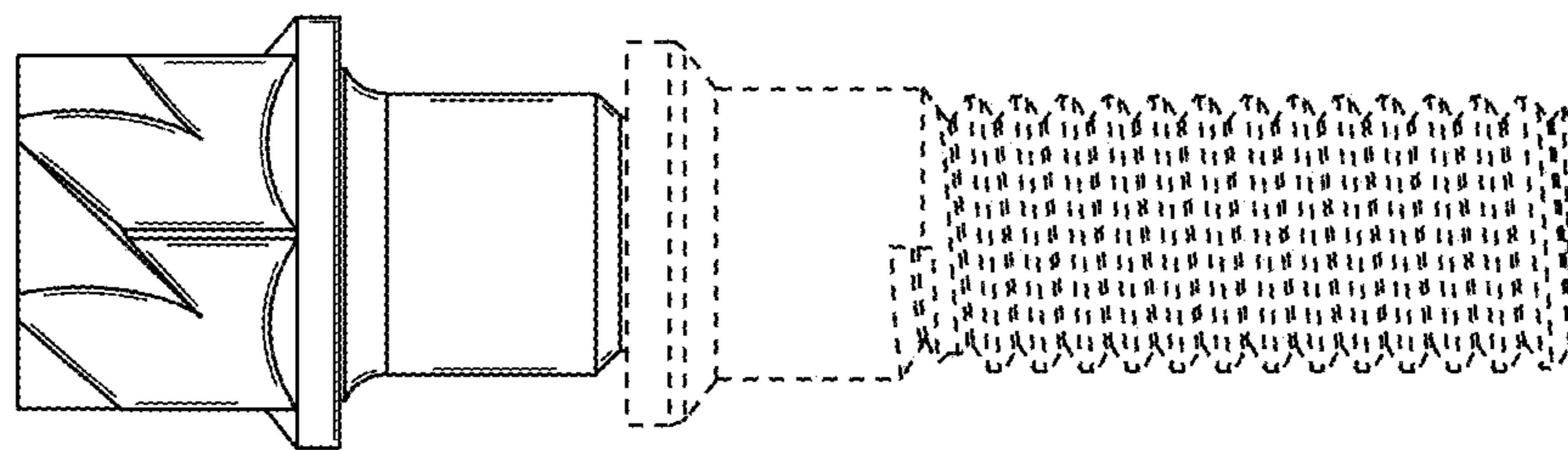


FIG. 8