



US00D909856S

(12) **United States Design Patent**
Cobzaru

(10) **Patent No.:** **US D909,856 S**

(45) **Date of Patent:** **** Feb. 9, 2021**

- (54) **BLIND FASTENER BOLT**
- (71) Applicant: **SPS TECHNOLOGIES, LLC**,
Jenkintown, PA (US)
- (72) Inventor: **Cristinel Cobzaru**, Murrieta, CA (US)
- (73) Assignee: **SPS TECHNOLOGIES, LLC**,
Jenkintown, PA (US)
- (**) Term: **15 Years**

D248,014	S *	5/1978	DeCaro	411/405
6,371,709	B1 *	4/2002	Papafotiou	B21H 3/02
				238/372
6,866,769	B2 *	3/2005	Anderson	B23H 3/00
				204/224 M
8,888,425	B2 *	11/2014	Pratt	F16B 19/1045
				411/34
9,297,407	B2 *	3/2016	Pudvah	F16B 5/02
9,822,907	B1 *	11/2017	Hennon	F16B 43/001
D859,973	S *	9/2019	Foerster, Jr.	D8/397
D878,194	S *	3/2020	Lee	D8/397

(Continued)

- (21) Appl. No.: **29/703,481**
- (22) Filed: **Aug. 27, 2019**
- (51) **LOC (13) Cl.** **08-08**
- (52) **U.S. Cl.**
USPC **D8/387**
- (58) **Field of Classification Search**
USPC D8/385, 387, 388, 391, 397
CPC F16B 5/0258; F16B 19/1036; F16B
19/1072; F16B 19/1054; F16B 19/004;
F16B 2019/006; F16B 2019/1009; F16B
2019/1018; F16B 23/0007; F16B
23/0015; F16B 23/0023; F16B 23/003;
F16B 23/0038; F16B 23/0046; F16B
23/00; F16B 23/0092; F16B 23/0084;
F16B 25/0036; F16B 25/0042; F16B
25/0015; F16B 25/0021; F16B 25/0026;
F16B 25/0031; F16B 25/0047; F16B
25/001; F16B 27/00; F16B 29/00; F16B
33/00; F16B 33/02; F16B 35/048; F16B
35/041

See application file for complete search history.

(56) **References Cited**

U.S. PATENT DOCUMENTS

D157,484	S *	2/1950	Gade	D8/397
2,971,425	A *	2/1961	Blakeley	B25B 31/005
				411/28
4,073,160	A *	2/1978	Perret	B25B 13/065
				411/403

FOREIGN PATENT DOCUMENTS

EP	1635994	3/2006
JP	H0544343	6/1993
WO	2018224793	12/2018

OTHER PUBLICATIONS

International Search Report for International Application PCT/US2020/047946, dated Oct. 23, 2020.

Primary Examiner — Sandra Snapp
Assistant Examiner — Ieisha N Price
(74) *Attorney, Agent, or Firm* — Burriss Law, PLLC

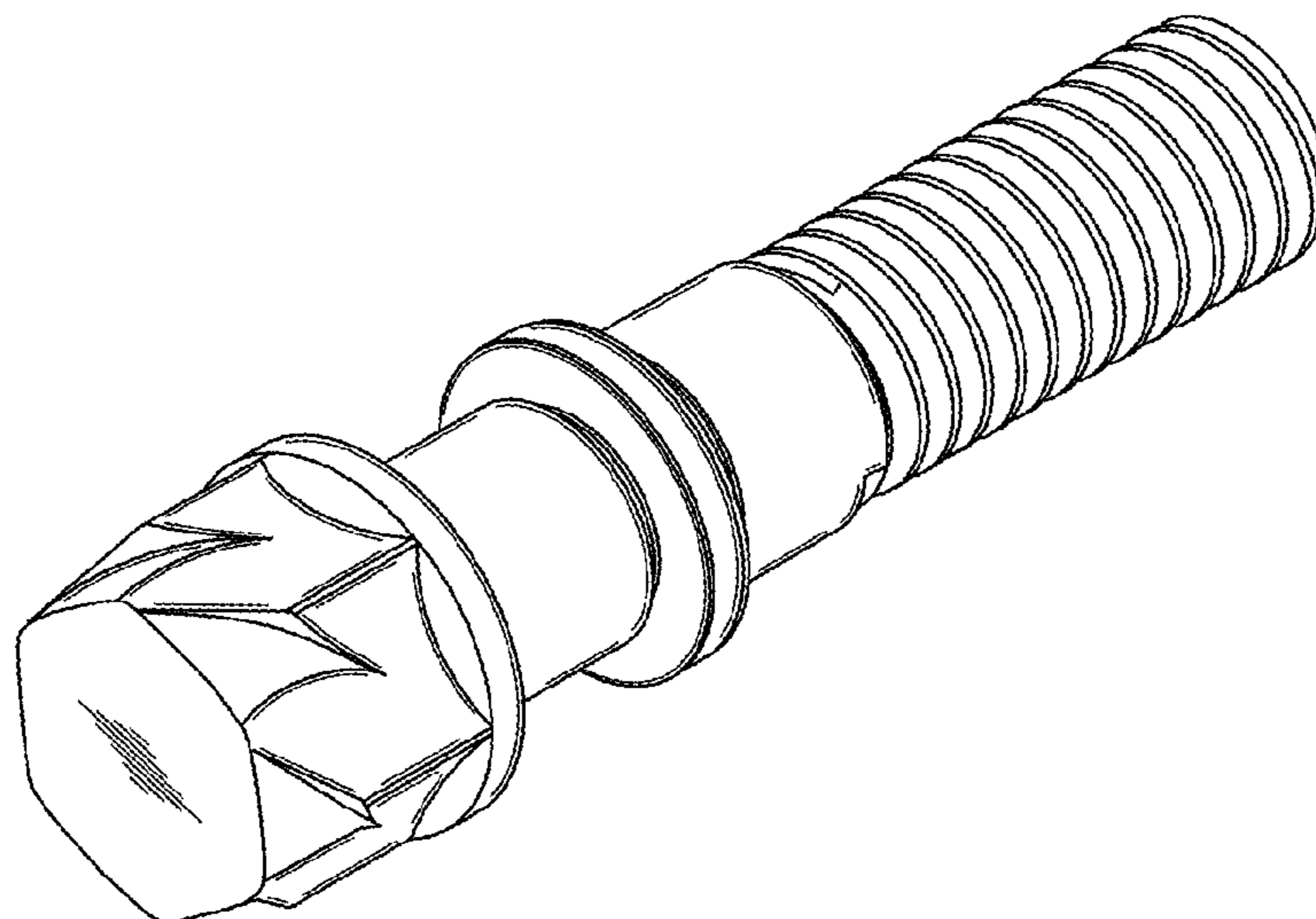
(57) **CLAIM**

The ornamental design for a blind fastener bolt, as shown and described.

DESCRIPTION

FIG. 1 is a top-front perspective view of the blind fastener bolt;
FIG. 2 is a bottom-rear perspective view thereof;
FIG. 3 is a front view thereof;
FIG. 4 is a left side view thereof;
FIG. 5 is a top view thereof;
FIG. 6 is a right side view thereof;
FIG. 7 is a rear view thereof; and,
FIG. 8 is a bottom view thereof.

1 Claim, 4 Drawing Sheets



(56)

References Cited

U.S. PATENT DOCUMENTS

2003/0044257	A1*	3/2003	Siegel	B21K 1/46	411/402
2010/0172717	A1*	7/2010	Corbett	F16B 39/22	411/366.1
2011/0070051	A1*	3/2011	Chang	F16B 23/0092	411/405
2011/0252925	A1*	10/2011	Whitehead	B25B 15/005	81/53.2
2013/0272815	A1*	10/2013	Hufnagl	F16B 19/1036	411/55
2014/0033494	A1*	2/2014	O'Sullivan	F16B 23/00	29/426.2
2014/0112734	A1*	4/2014	Ambros	F16B 25/0042	411/387.1
2014/0144300	A1*	5/2014	Marchand	F16B 23/0061	81/467
2014/0147226	A1*	5/2014	Andrade de Souza	F16B 41/005	411/3
2015/0078860	A1*	3/2015	Ellingson	F16B 33/02	411/368
2015/0086294	A1*	3/2015	Selle	F16B 23/0007	411/403
2016/0102700	A1*	4/2016	Ulrich	F16B 23/0007	411/166
2016/0215804	A1*	7/2016	Hufnagl	F16B 13/061	
2016/0222222	A1*	8/2016	Stupar	F16B 33/06	
2016/0312816	A1*	10/2016	Bjelobradic	F16B 23/0038	
2017/0282236	A1*	10/2017	Hutter	C22C 38/58	
2017/0343030	A1*	11/2017	Freyermuth	F16B 35/048	
2017/0363129	A1*	12/2017	Bada	B25B 13/065	
2018/0163766	A1*	6/2018	Haylock	F16B 5/04	
2018/0223889	A1*	8/2018	Yi	B21H 3/025	
2019/0063487	A1*	2/2019	Ikami	F16B 39/30	
2019/0160520	A1	5/2019	Cobzaru			
2019/0162217	A1	5/2019	Vovan			
2019/0242426	A1*	8/2019	Moore	F16B 4/004	

* cited by examiner

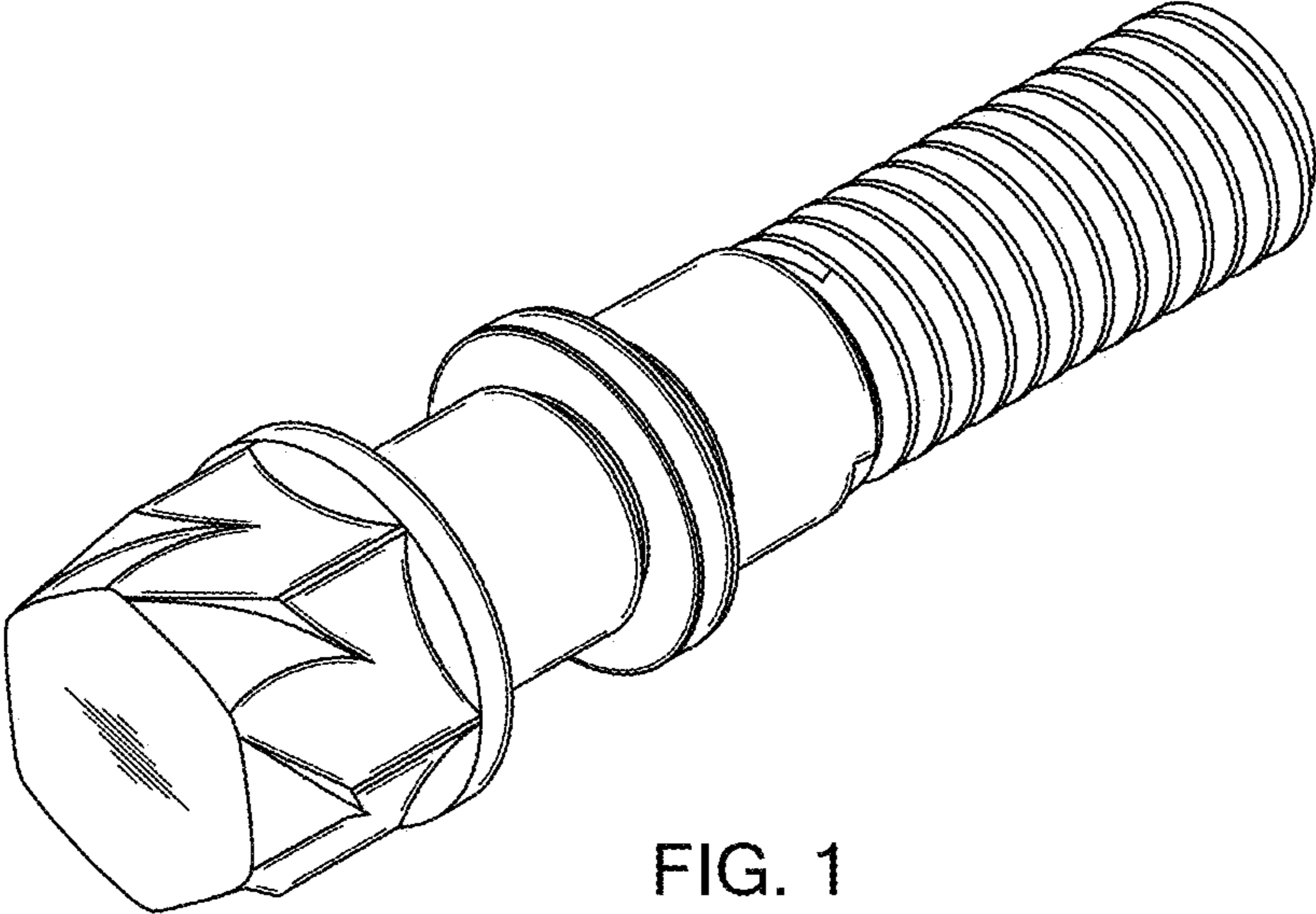


FIG. 1

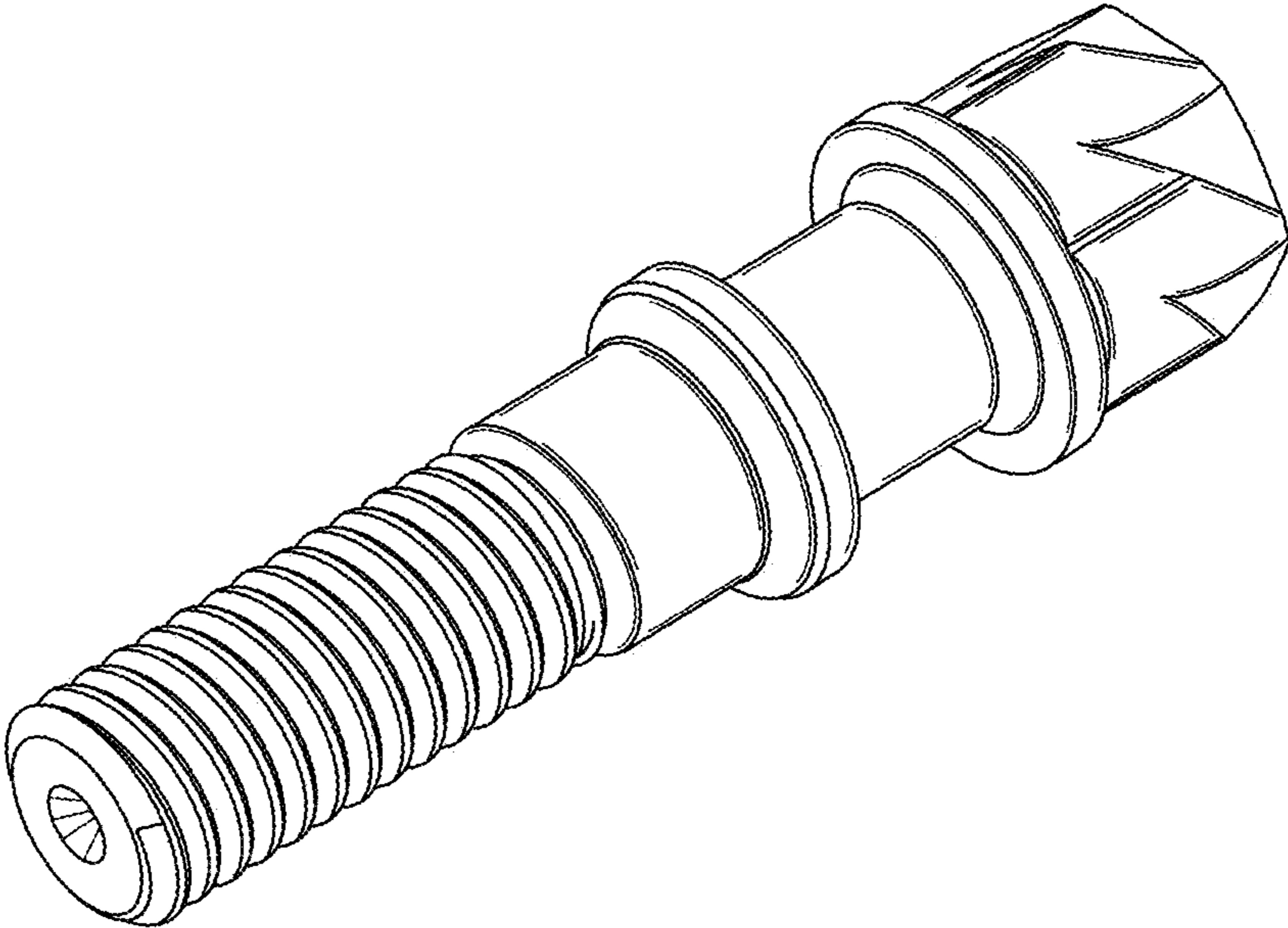


FIG. 2

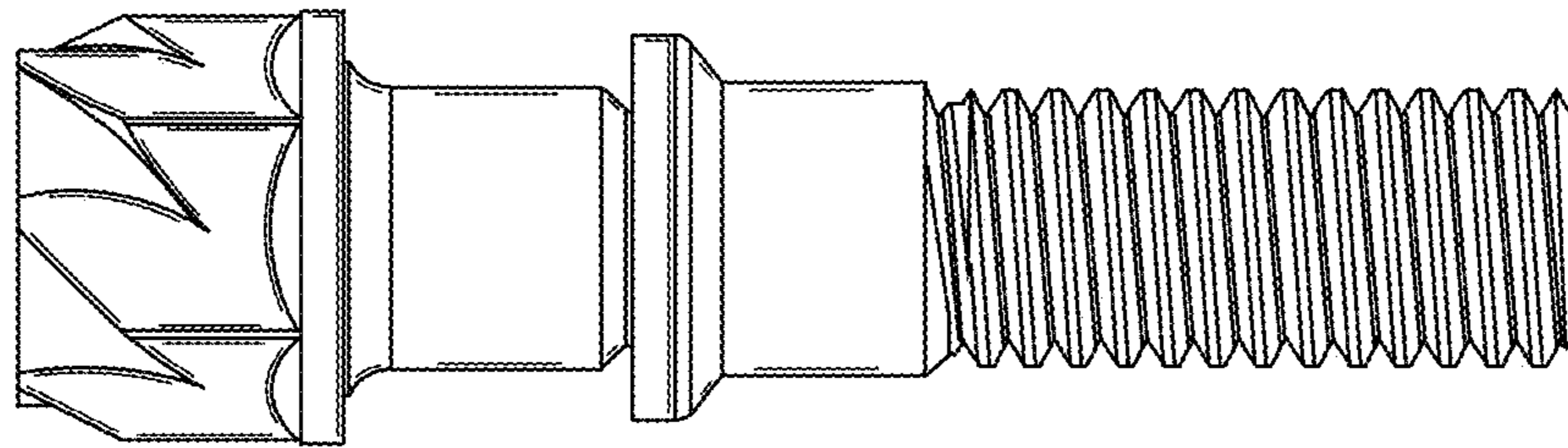


FIG. 3

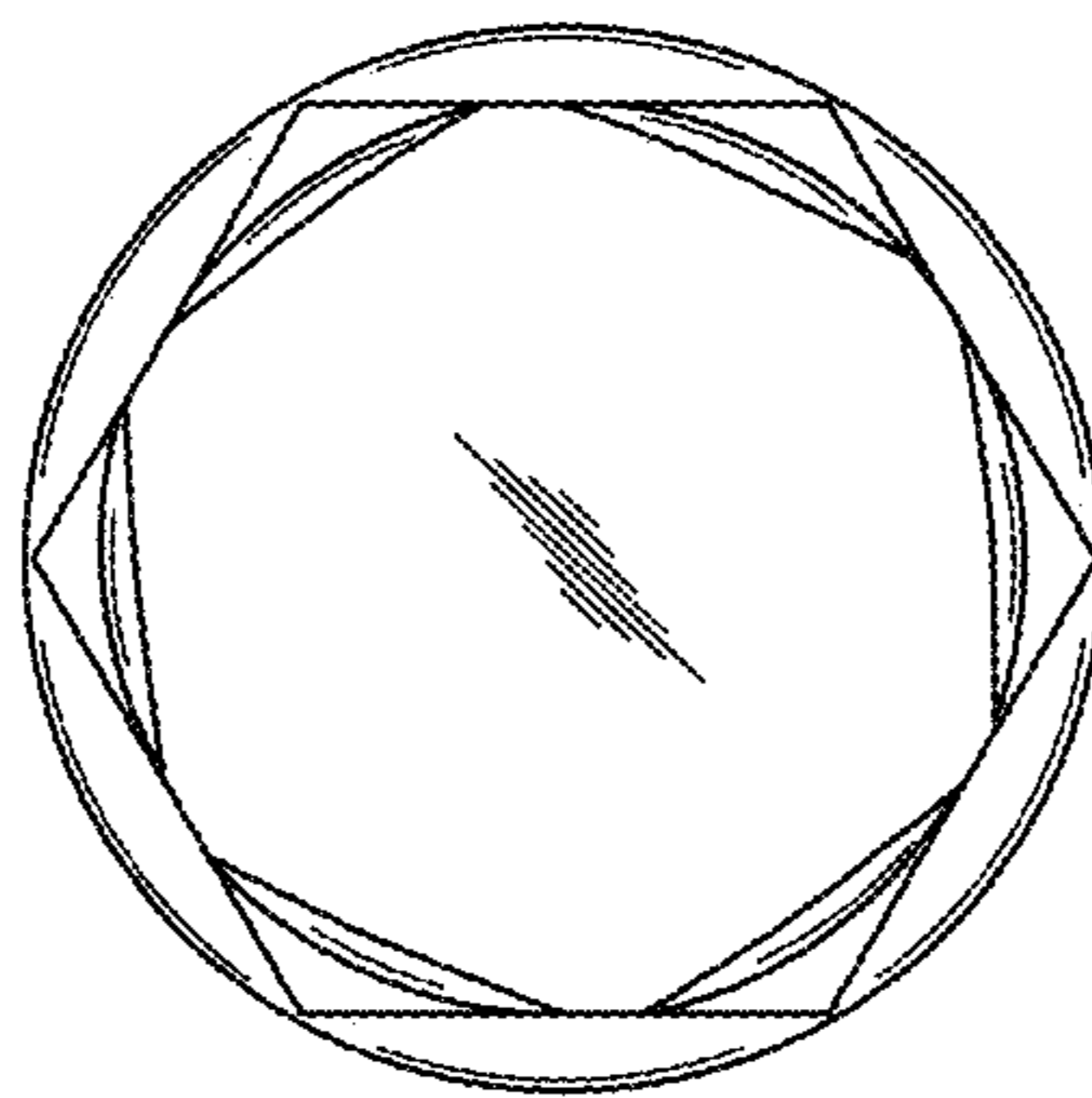


FIG. 4

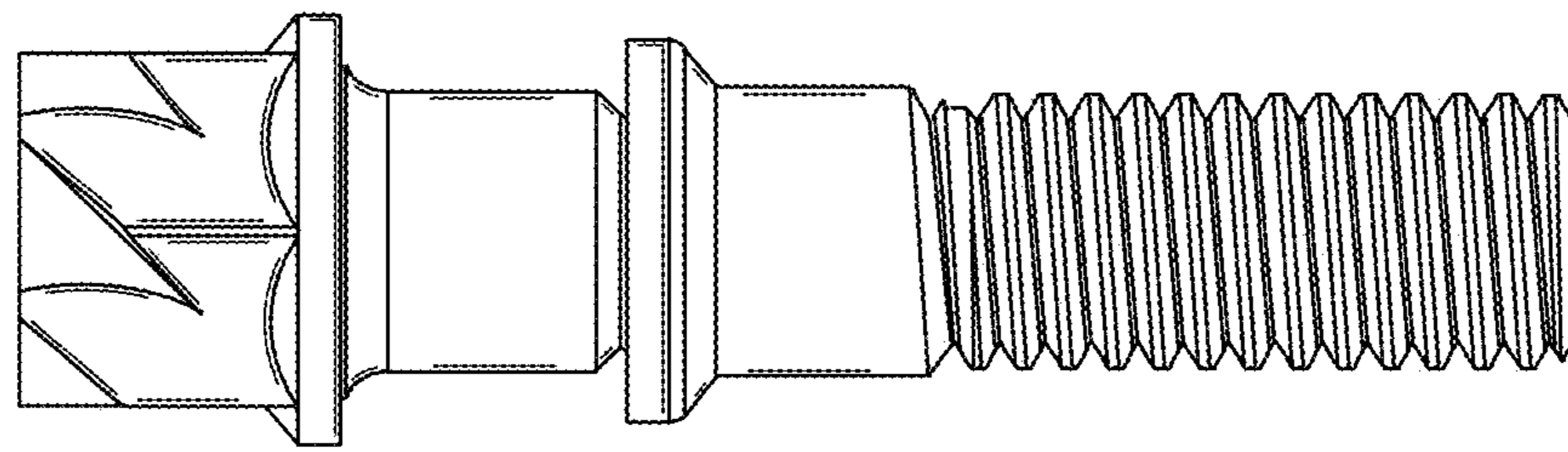


FIG. 5

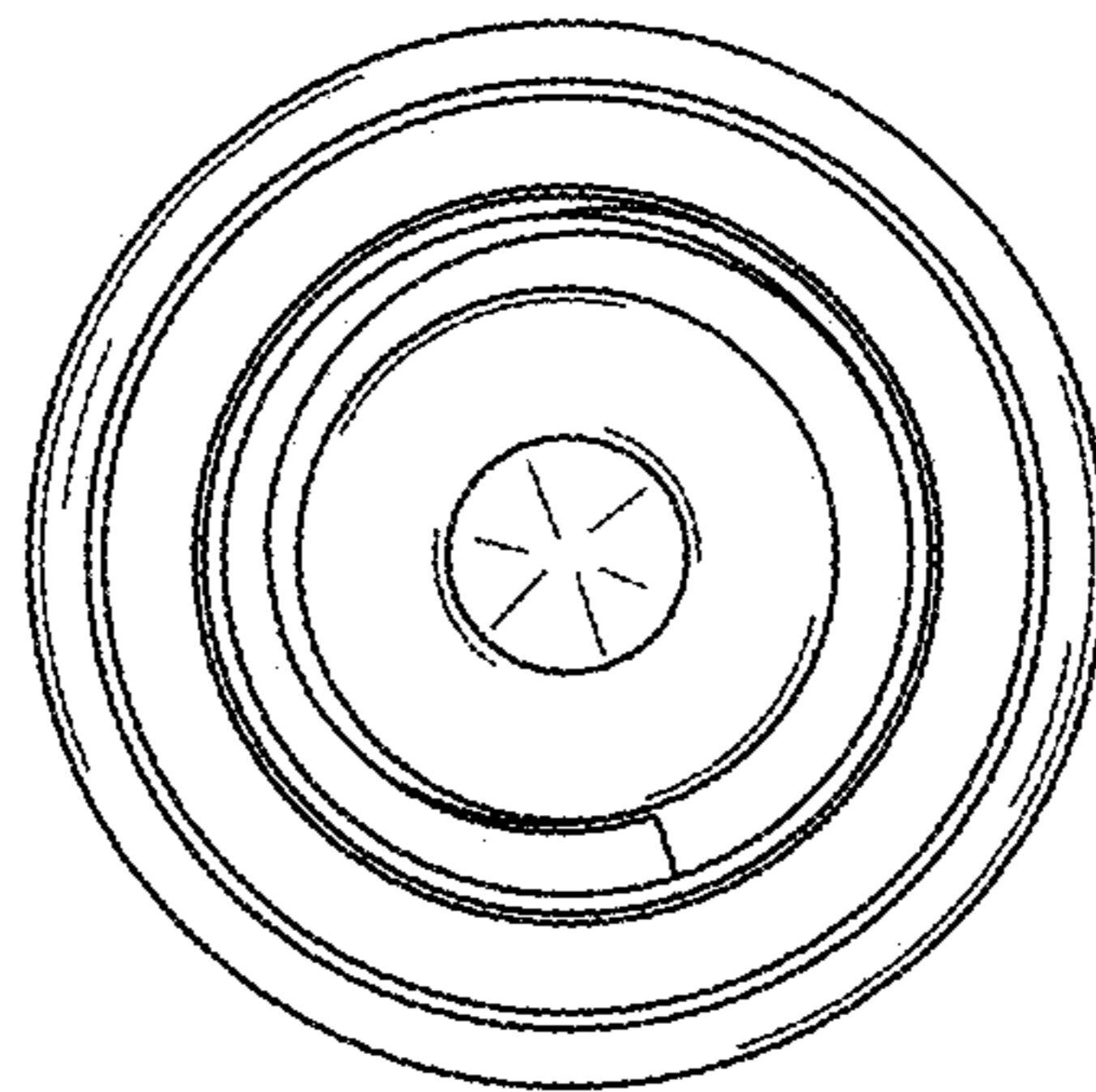


FIG. 6

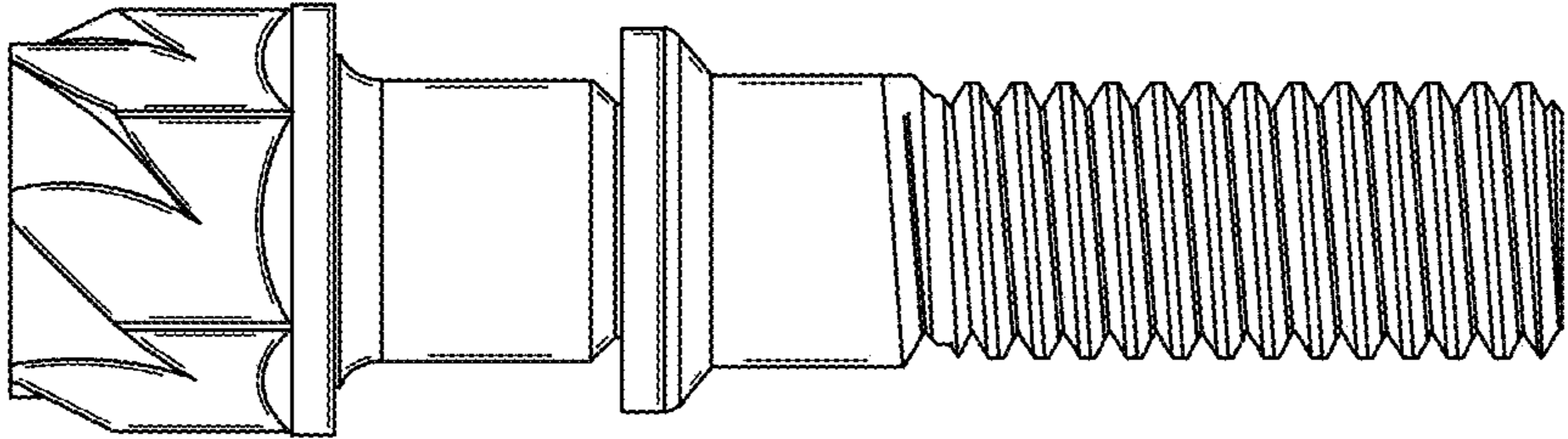


FIG. 7

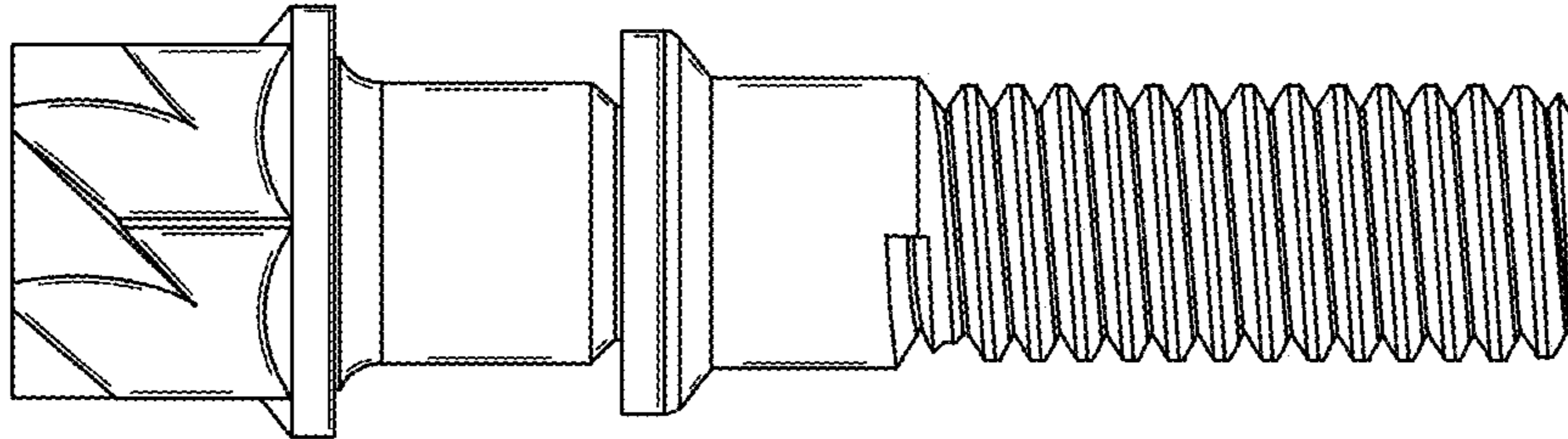


FIG. 8