

US00D909855S

(12) **United States Design Patent** (10) **Patent No.:** **US D909,855 S**
Kellum (45) **Date of Patent:** **** Feb. 9, 2021**

(54) **CORNER KEY**
(71) Applicant: **Amesbury Group, Inc.**, Amesbury, MA (US)
(72) Inventor: **Wilbur J. Kellum**, Garretson, SD (US)
(73) Assignee: **Amesbury Group, Inc.**, Amesbury, MA (US)

3,604,739 A 9/1971 Carlisle
3,627,359 A 12/1971 Paul
3,643,989 A 2/1972 Sather
3,709,533 A 1/1973 Walters
3,784,043 A 1/1974 Presnick
3,797,194 A 3/1974 Ekstein
3,829,226 A 8/1974 Kreusel
3,866,380 A 2/1975 Benson
3,932,046 A 1/1976 Kawazu
4,049,355 A 9/1977 Kawazu

(Continued)

(**) Term: **15 Years**

FOREIGN PATENT DOCUMENTS

(21) Appl. No.: **29/690,672**

JP 06240958 A 8/1994

(22) Filed: **May 9, 2019**

(51) **LOC (13) Cl.** **08-08**

(52) **U.S. Cl.**
USPC **D8/382**

(58) **Field of Classification Search**
USPC D8/349, 354, 403, 382, 400; D6/702, D6/301, 300
CPC E06B 9/52; E06B 9/58; E06B 2009/527; E06B 2009/528; E06B 2009/587; E06B 3/96; E06B 3/962; E06B 3/9644; E06B 3/9628; E06B 3/9647; E06B 3/9648; E06B 3/968; E06B 3/9681; E06B 3/9682; B65D 81/053; B65D 81/057; A47G 1/17; A47G 1/0638; A47G 1/101
See application file for complete search history.

OTHER PUBLICATIONS

Strybuc replacement corner keys, pp. 250-253; located online at: <http://www.strybuc.com/public/Catalogs/Strybuc/Strybuc-Window-and-Door-Hardware-Catalog-2016/#?page=250>, 2016.

Primary Examiner — Sandra Snapp
Assistant Examiner — Ieisha N Price

(57) **CLAIM**

The ornamental design for a corner key, as shown and described.

DESCRIPTION

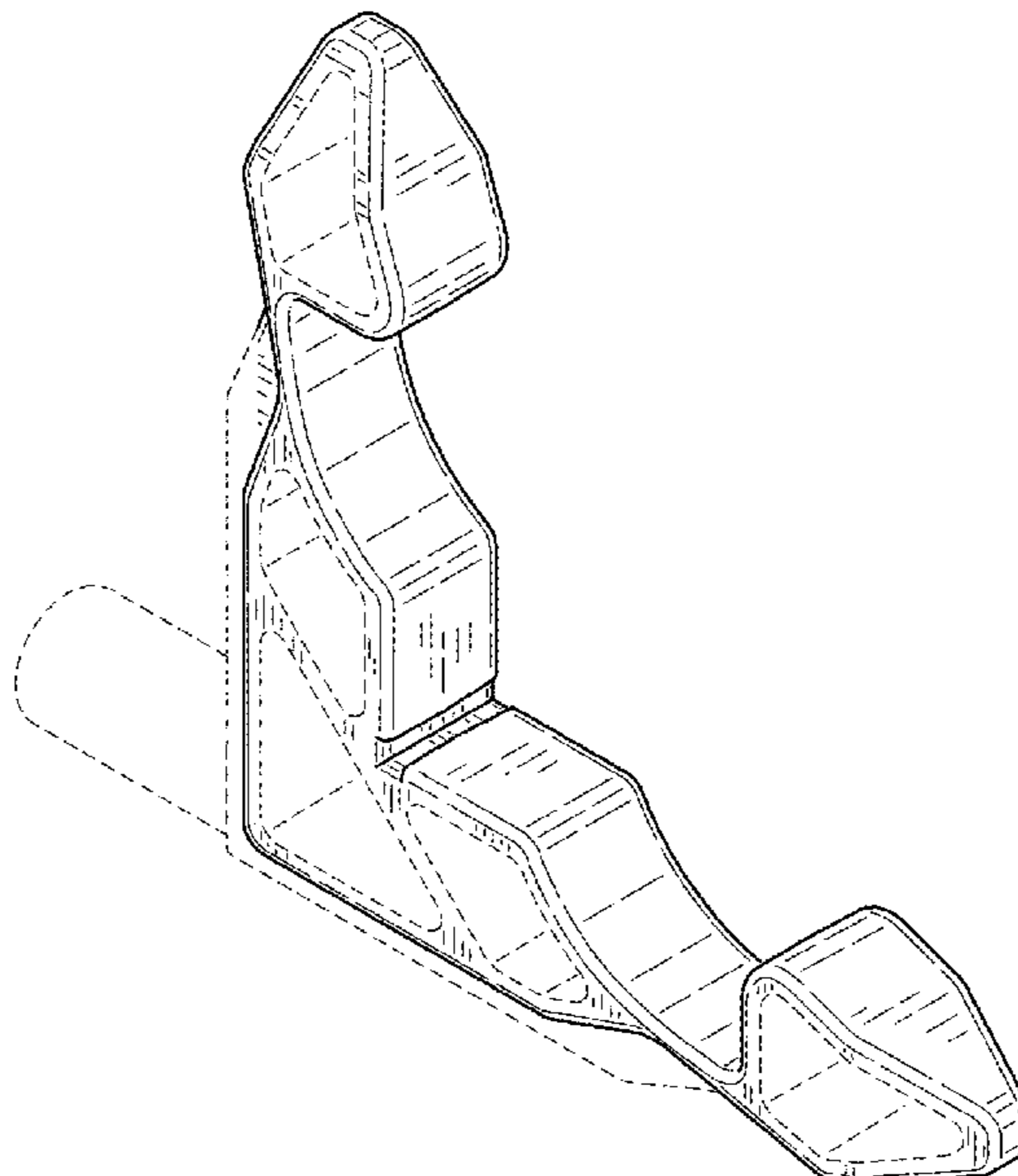
FIG. 1 is a perspective view of a corner key.
FIG. 2 is a front elevation view of the corner key of FIG. 1.
FIG. 3 is a rear elevation view of the corner key of FIG. 1.
FIG. 4 is a right elevation view of the corner key of FIG. 1.
FIG. 5 is a left elevation view of the corner key of FIG. 1.
FIG. 6 is a top plan view of the corner key of FIG. 1; and,
FIG. 7 is a bottom plan view of the corner key of FIG. 1.
The broken lines depict portions of the corner key that form no part of the claimed design.

1 Claim, 5 Drawing Sheets

(56) **References Cited**

U.S. PATENT DOCUMENTS

1,852,866 A * 4/1932 Weitzel E06B 9/52
160/381
2,996,159 A 8/1961 Casebolt
3,269,455 A * 8/1966 Gillotti B60J 1/2011
160/369
3,294,429 A 12/1966 Halip
3,294,430 A 12/1966 Halip
3,485,519 A 12/1969 Chiu



(56)

References Cited

U.S. PATENT DOCUMENTS

4,090,799 A 5/1978 Crotti
 4,136,470 A 1/1979 Barz
 4,139,316 A 2/1979 Svensson
 4,195,681 A 4/1980 Douglas
 4,240,765 A * 12/1980 Offtender E06B 3/9765
 29/897.312
 4,296,587 A 10/1981 Berdan
 D267,764 S * 2/1983 Sundberg D6/300
 4,380,110 A 4/1983 Harig
 4,516,341 A 5/1985 Jenkins
 4,531,315 A 7/1985 Sobel
 4,636,105 A * 1/1987 Johansson B29C 66/54
 403/205
 D288,244 S * 2/1987 Schmidt D25/119
 4,683,634 A 8/1987 Cole
 4,691,486 A 9/1987 Niekrasz
 4,725,083 A 2/1988 Schauer
 D307,078 S * 4/1990 Guillemet D6/300
 4,974,352 A 12/1990 Shwu-Jen
 5,010,708 A 4/1991 Evans
 D317,400 S * 6/1991 Loew D6/300
 5,040,456 A 8/1991 Hayes
 5,144,780 A 9/1992 Gieling
 5,165,730 A 11/1992 McElroy
 5,271,171 A * 12/1993 Smith D06C 3/08
 101/127.1
 5,378,077 A 1/1995 Paulsen
 5,431,211 A * 7/1995 Guillemet E06B 9/52
 160/381
 5,473,853 A * 12/1995 Guillemet E06B 9/52
 160/105
 5,547,011 A * 8/1996 Dotson E06B 9/24
 160/371
 5,564,758 A 10/1996 Tiberio
 5,918,392 A * 7/1999 Bates B41F 15/36
 160/381
 6,108,997 A * 8/2000 Blais E06B 3/9645
 160/371
 6,413,004 B1 7/2002 Lin
 6,427,588 B1 * 8/2002 Kline B41F 15/36
 101/127
 D465,033 S * 10/2002 Messier D25/102
 D465,522 S * 11/2002 Beno D19/113
 6,546,660 B2 4/2003 Roy

D530,193 S * 10/2006 Goldenberg D8/400
 7,677,003 B2 * 3/2010 Baughn E06B 3/9682
 52/473
 7,806,620 B1 10/2010 Brochez
 8,028,489 B1 * 10/2011 Lawrence E06B 3/9641
 52/204.57
 8,250,819 B2 8/2012 Subra
 8,763,342 B2 7/2014 Tseng
 D731,298 S * 6/2015 Therrien D8/382
 D736,065 S * 8/2015 Castellano D8/354
 D744,667 S * 12/2015 Macdonald D25/124
 D761,641 S * 7/2016 Pace D8/382
 9,869,122 B2 * 1/2018 Isaacs F24B 1/192
 D822,471 S * 7/2018 Macdonald D8/382
 D832,679 S * 11/2018 Macdonald D8/349
 10,174,544 B2 1/2019 Kellum
 2002/0005261 A1 * 1/2002 Therrien E06B 3/9647
 160/381
 2003/0000169 A1 1/2003 Davidsaver
 2005/0193680 A1 * 9/2005 Wang E06B 3/9688
 52/656.9
 2006/0157208 A1 * 7/2006 Annacchino E06B 9/52
 160/371
 2007/0056701 A1 * 3/2007 Brooker E06B 9/52
 160/381
 2008/0056817 A1 3/2008 Fasanella
 2008/0216440 A1 9/2008 Kobayashi
 2008/0219759 A1 9/2008 Therrien
 2009/0282772 A1 11/2009 McGlinchy
 2010/0192508 A1 8/2010 Subra
 2011/0194886 A1 * 8/2011 Wu E06B 3/9681
 403/23
 2013/0019558 A1 1/2013 Tseng
 2013/0064600 A1 * 3/2013 Tseng E06B 3/9685
 403/205
 2013/0272777 A1 * 10/2013 Hayter E06B 3/9688
 403/205
 2014/0318049 A1 * 10/2014 Paquet E06B 3/64
 52/204.593
 2015/0121788 A1 5/2015 Kim
 2016/0265268 A1 * 9/2016 Therrien E06B 3/9682
 2017/0218680 A1 8/2017 Isaacs
 2018/0347262 A1 12/2018 Kellum
 2019/0178025 A1 6/2019 Kellum
 2020/0355022 A1 11/2020 Kellum

* cited by examiner

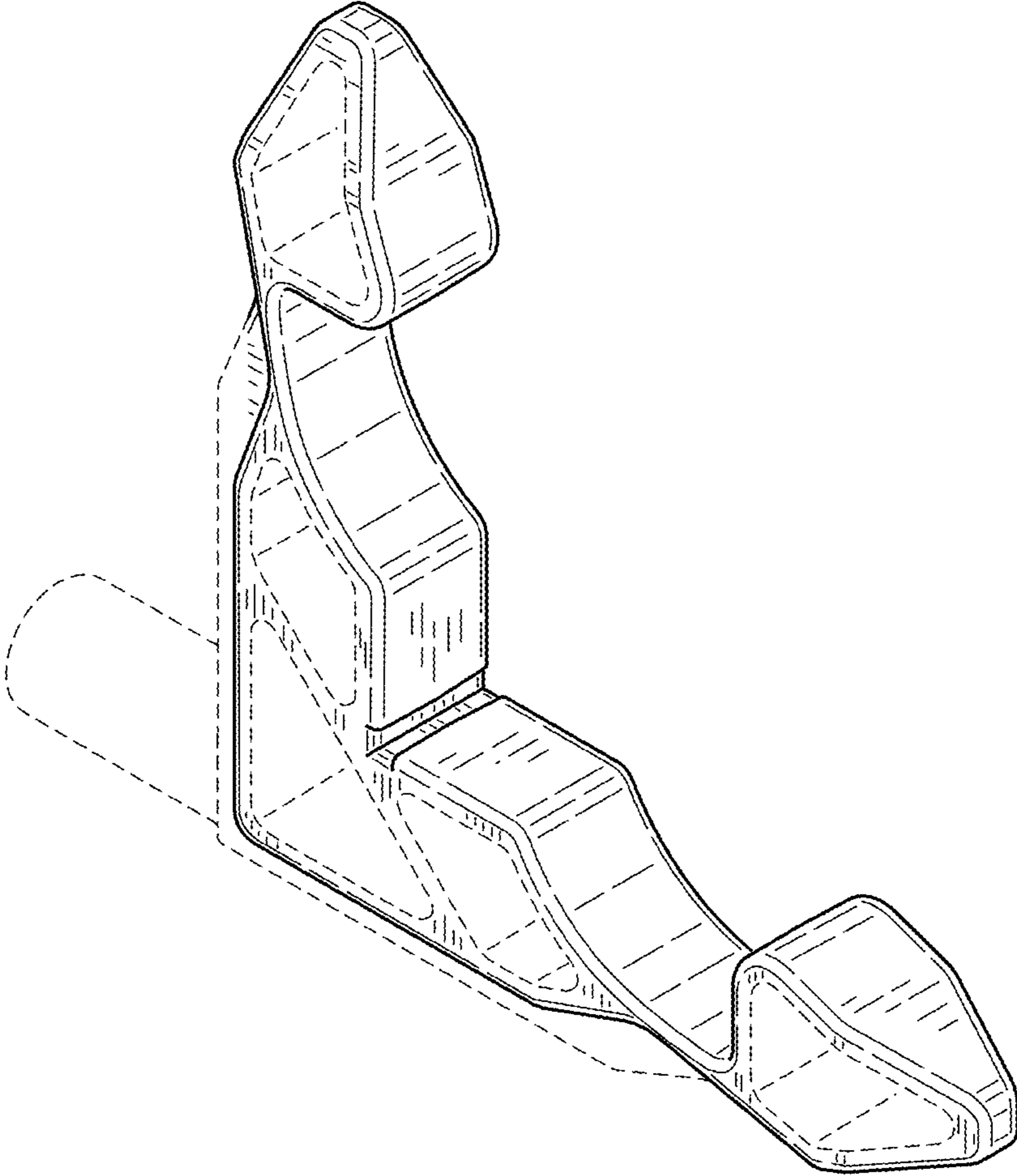


FIG.1

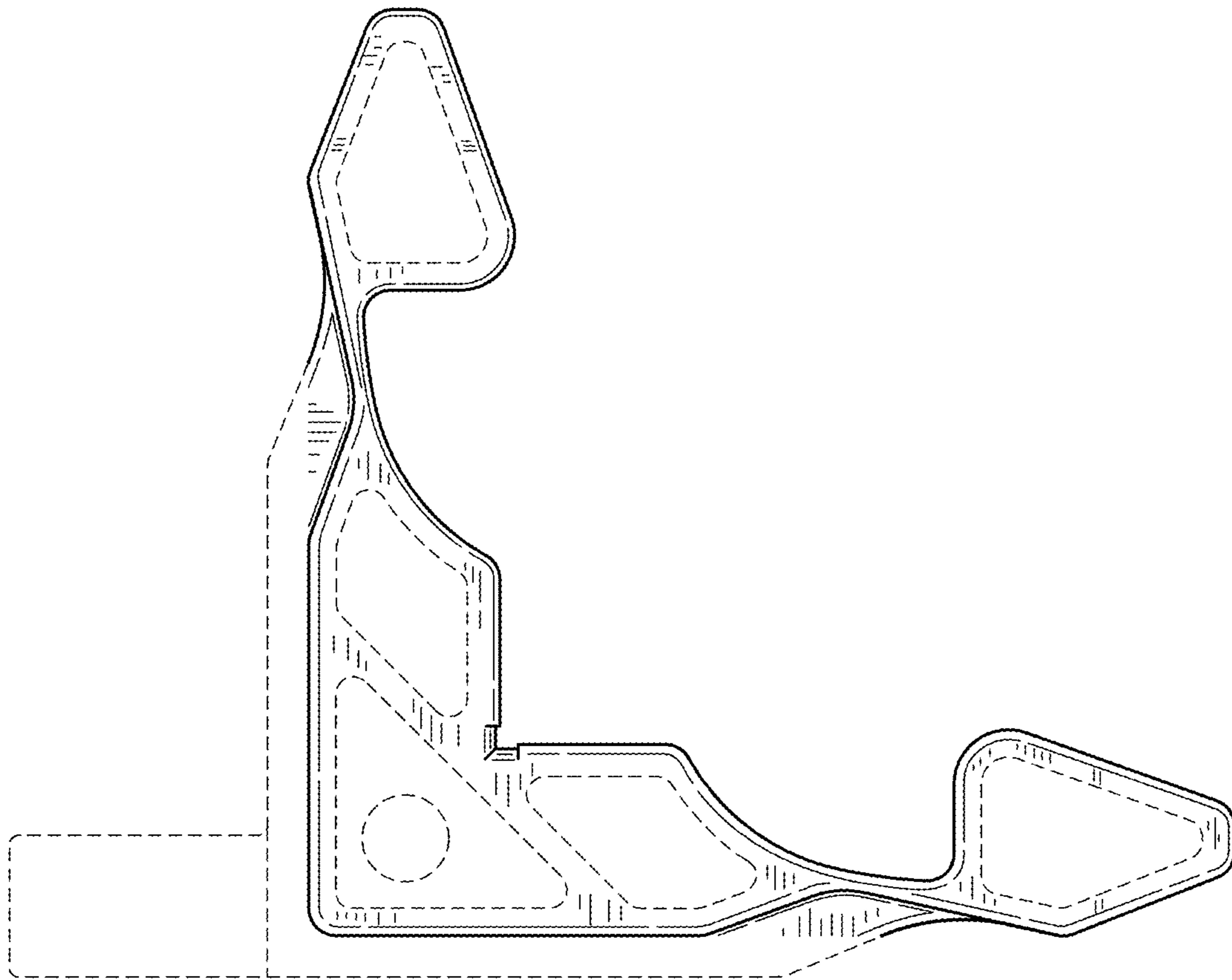


FIG.2

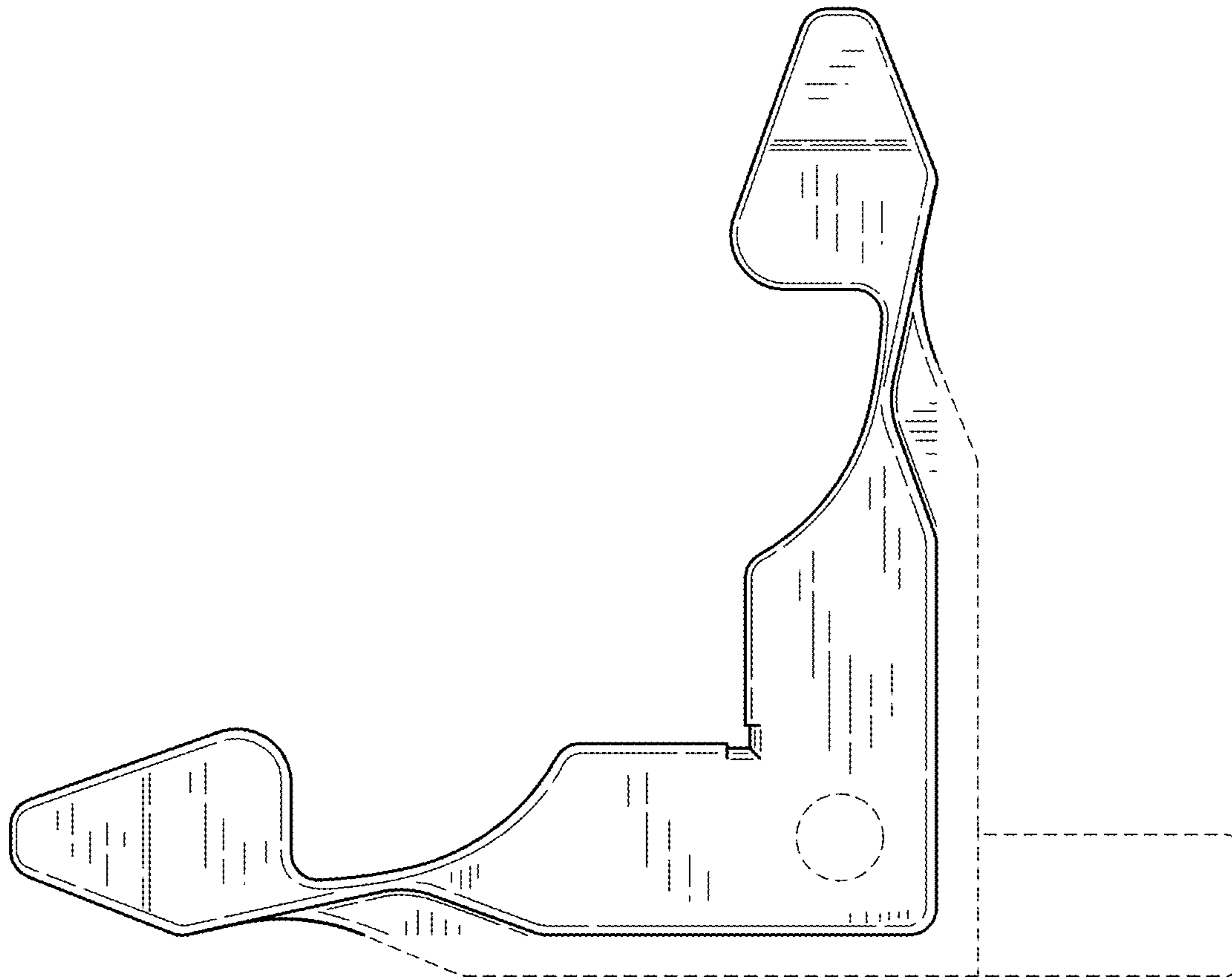


FIG.3

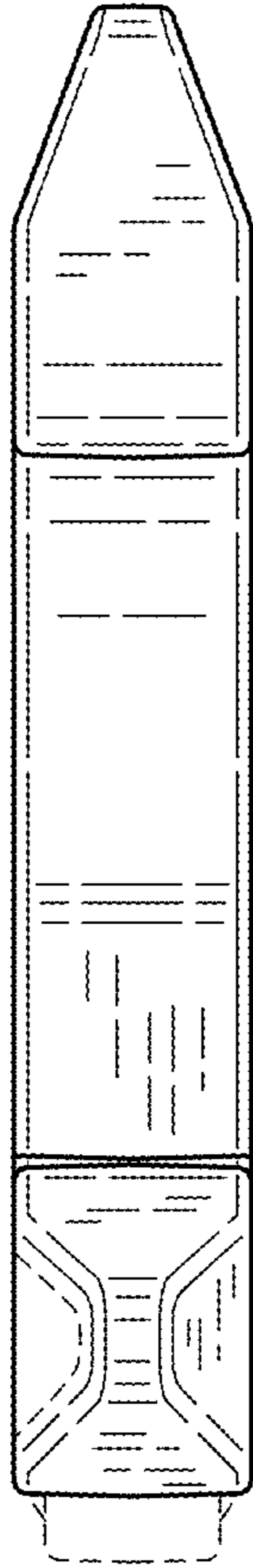


FIG.4

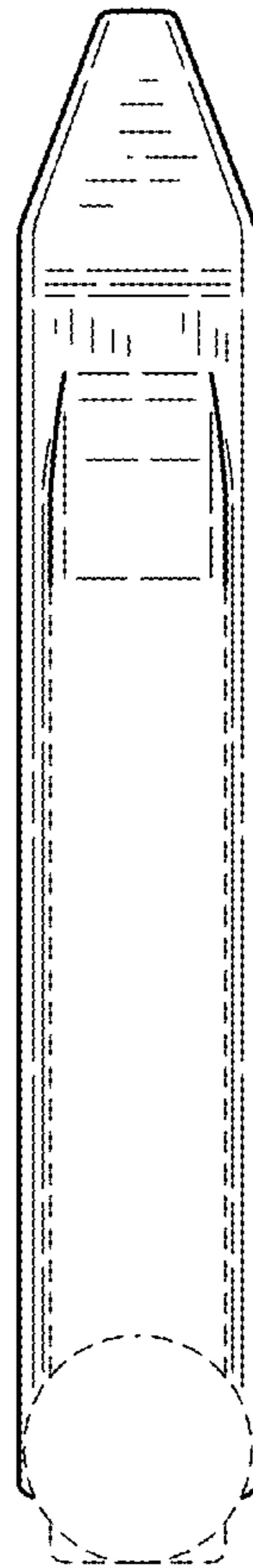


FIG.5

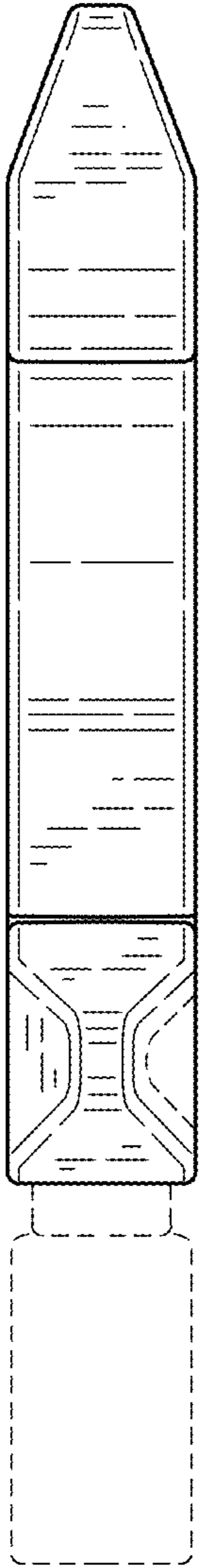


FIG. 6

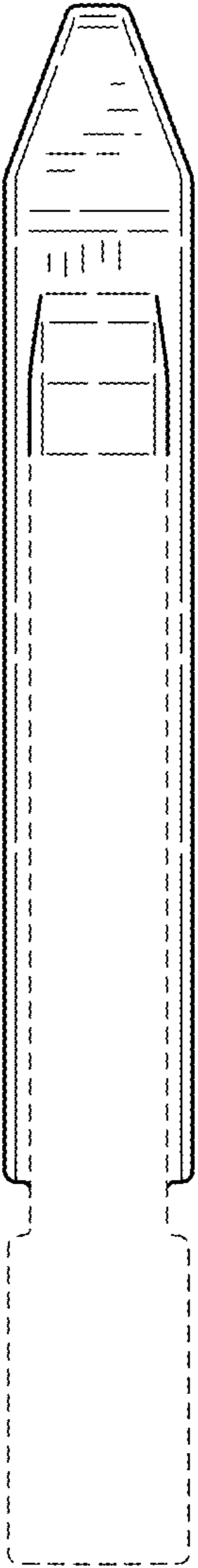


FIG. 7