



US00D909854S

(12) **United States Design Patent** (10) **Patent No.:** **US D909,854 S**  
**Stener** (45) **Date of Patent:** **\*\* Feb. 9, 2021**

(54) **ADAPTOR FOR SUPPORTING AN ELECTRONIC DEVICE**  
(71) Applicant: **Wild West Investments, LLC**, Dallas, TX (US)  
(72) Inventor: **Gavin Stener**, Dallas, TX (US)  
(73) Assignee: **Wild West Investments, LLC**, Dallas, TX (US)  
(\*\*) Term: **15 Years**  
(21) Appl. No.: **29/740,038**  
(22) Filed: **Jun. 30, 2020**

**Related U.S. Application Data**

(60) Division of application No. 29/703,584, filed on Aug. 28, 2019, which is a continuation of application No. 29/686,974, filed on Apr. 9, 2019, now Pat. No. Des. 862,213, which is a continuation of application No. 29/663,162, filed on Sep. 12, 2018, now Pat. No. Des. (Continued)

(51) **LOC (13) Cl.** ..... **08-05**  
(52) **U.S. Cl.**  
USPC ..... **D8/380**

(58) **Field of Classification Search**  
USPC ..... D14/371-382, 125-129, 336, 337, D14/447-452, 492, 335, 376-382, 239, D14/457, 439-441, 432, 251-253; D8/349, 354, 363, 373, 376, 380; D21/333; D12/162, 415; D3/10, 218; 348/180, 184, 325, 739, 825; 248/323, 248/278.1, 286.1; 280/507, 511  
CPC ..... G06F 3/0412; G06F 3/016; G06F 3/0488; G06F 3/011; G06F 3/038; G06F 3/03543; G06F 3/0338; G06F 3/0202; G06F 3/0219; G06F 3/0213; G06F 1/1616; G06F 3/023; G06F 3/04883; G02F 1/13338; G02F 1/1313; G02F 1/1333; G02F 1/135; G02F 1/132; G02F 1/133308; G02F 1/134309; G02F

1/13718; G09G 3/3648; G06K 15/1252; B41J 2/465; G03F 7/70291; G02B 27/0172; G02B 5/30; G02B 2027/0118; G02B 27/0101; F16M 13/02; F16M 13/00; F16M 11/10; F16M 11/04; F16M 2200/08; F16M 11/2021; A47B 21/0314; A47B 88/044; A47B 2021/0335; F16B 47/00;

(Continued)

(56) **References Cited**

**U.S. PATENT DOCUMENTS**

4,596,406 A \* 6/1986 Van Vleet ..... B60D 1/06  
280/416.1  
5,395,131 A \* 3/1995 Herrick ..... B60D 1/06  
280/507

(Continued)

*Primary Examiner* — Katie Jane Stofko  
(74) *Attorney, Agent, or Firm* — Foley & Lardner LLP

(57) **CLAIM**

An ornamental design for an adaptor for supporting an electronic device, as shown and described.

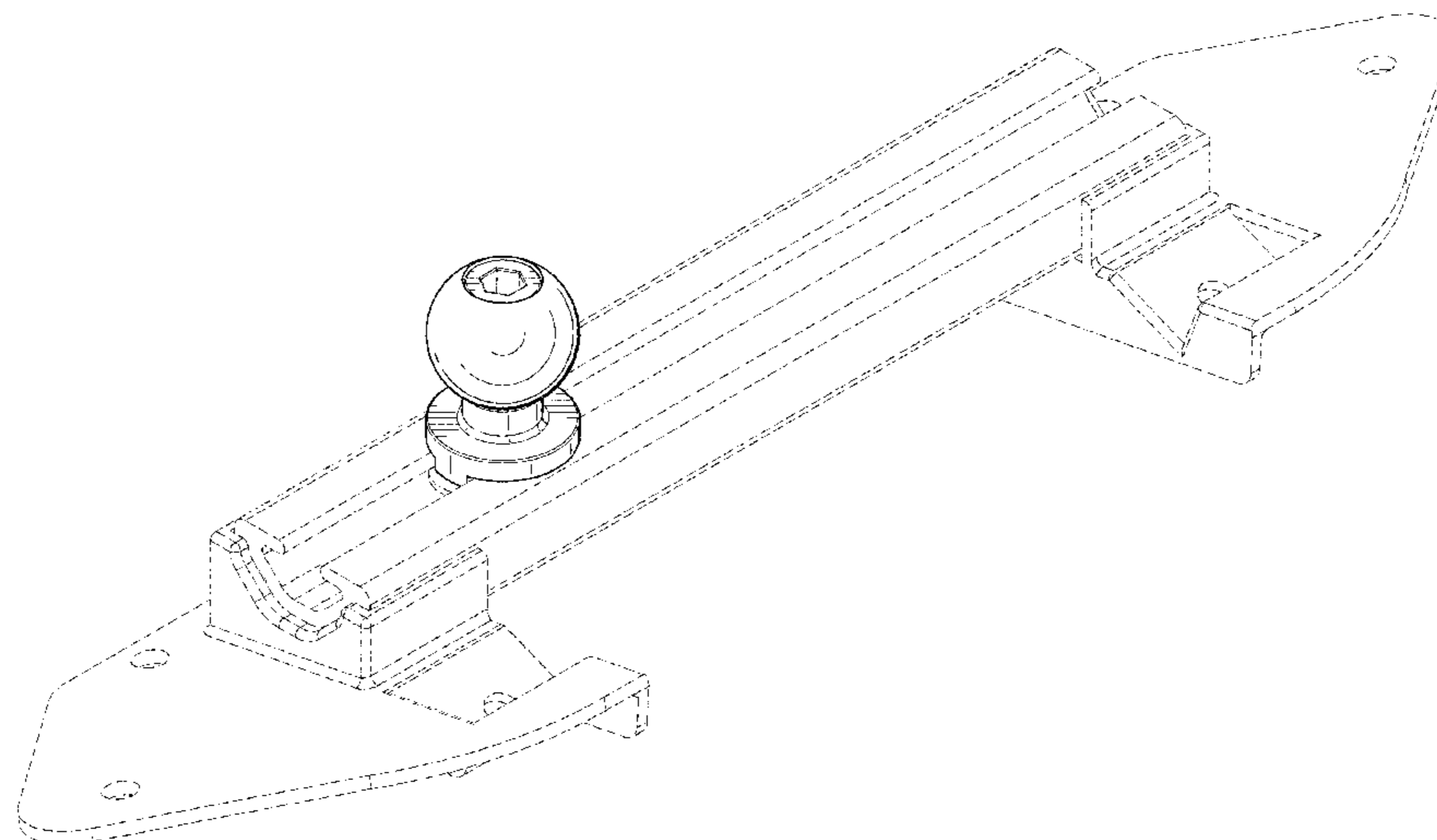
**DESCRIPTION**

This is a Divisional Application of U.S. Design Application having Ser. No. 29/708,370 filed on Oct. 4, 2019 (now U.S. Pat. No. D888,543).

FIG. 1 is an illustration of a front perspective view of an adaptor for supporting an electronic device;  
FIG. 2 is a front elevational view thereof;  
FIG. 3 is a rear elevational view thereof;  
FIG. 4 is a right-side elevational view thereof;  
FIG. 5 is a left-side elevational view thereof;  
FIG. 6 is a top view thereof; and,  
FIG. 7 is a bottom view thereof.

The broken lines shown as dashed lines are for the purpose of illustrating unclaimed structure, and form no part of the claimed design.

**1 Claim, 4 Drawing Sheets**



**Related U.S. Application Data**

845,111, which is a division of application No. 29/654,050, filed on Jun. 20, 2018, now Pat. No. Des. 838,579.

(58) **Field of Classification Search**

CPC ..... F16B 47/006; H02G 3/126; A47G 1/17;  
A47K 2201/00

See application file for complete search history.

(56) **References Cited**

U.S. PATENT DOCUMENTS

D375,065	S	*	10/1996	Duvernay	.....	D12/162
D376,780	S	*	12/1996	McCoy	.....	D12/162
5,839,744	A	*	11/1998	Marks	.....	B62D 53/021 280/416.1
5,890,726	A	*	4/1999	McCoy	.....	B60D 1/06 280/406.1
D526,939	S	*	8/2006	Profit	.....	D12/162
D607,381	S	*	1/2010	Lekkas	.....	D12/162
D879,671	S	*	3/2020	Siegel	.....	D12/162
2001/0045725	A1	*	11/2001	McCoy	.....	B60D 1/06 280/511
2005/0104327	A1	*	5/2005	Irgens	.....	B60D 1/60 280/511
2008/0272574	A1	*	11/2008	Stuart	.....	B60D 1/60 280/511
2009/0026730	A1	*	1/2009	Frantz	.....	B60D 1/06 280/511

\* cited by examiner

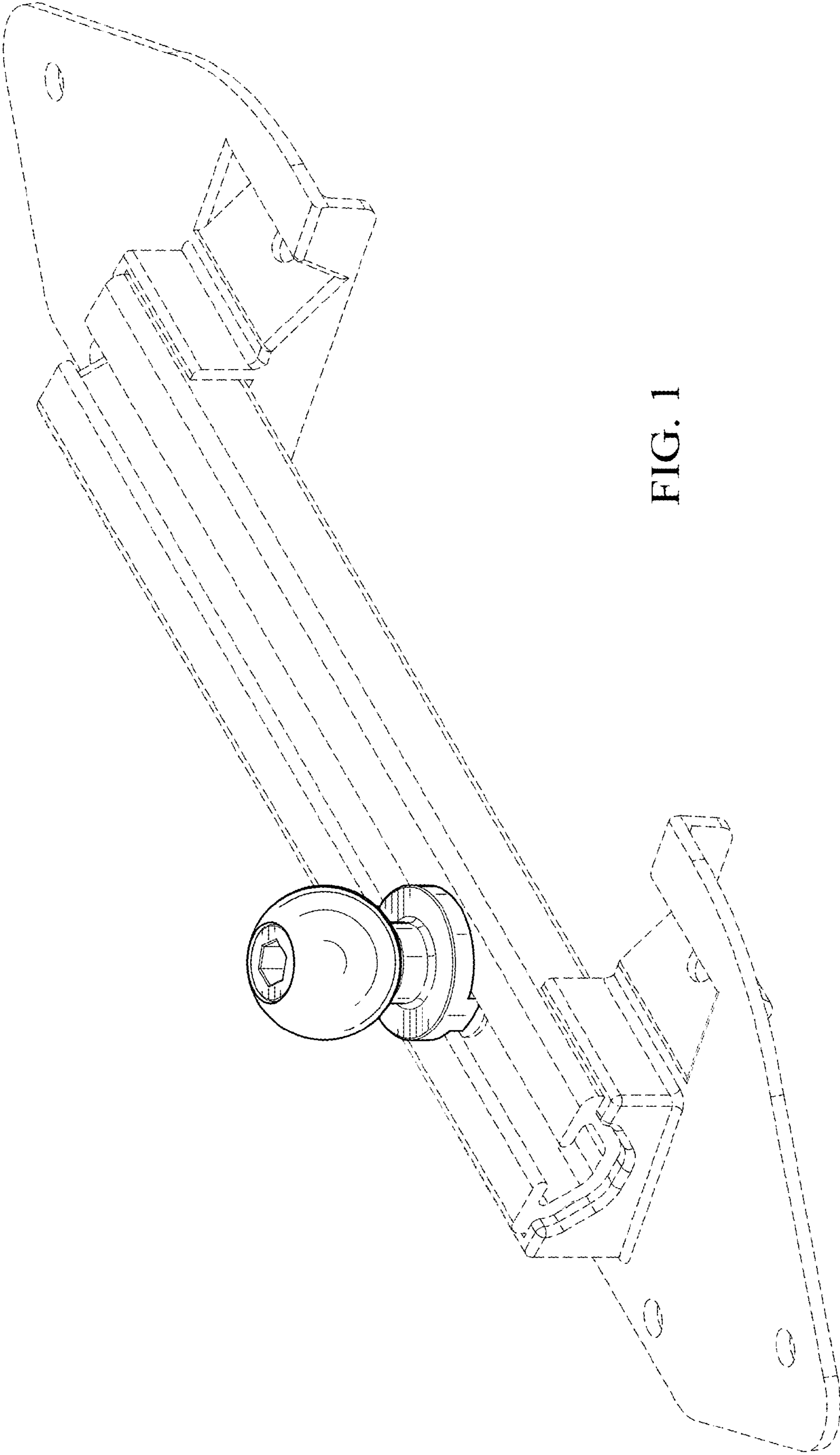


FIG. 1

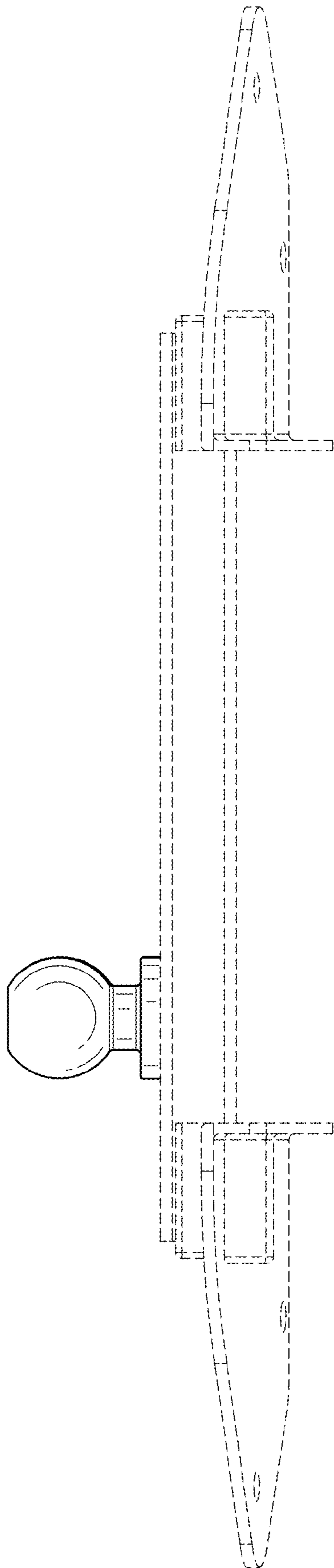


FIG. 2

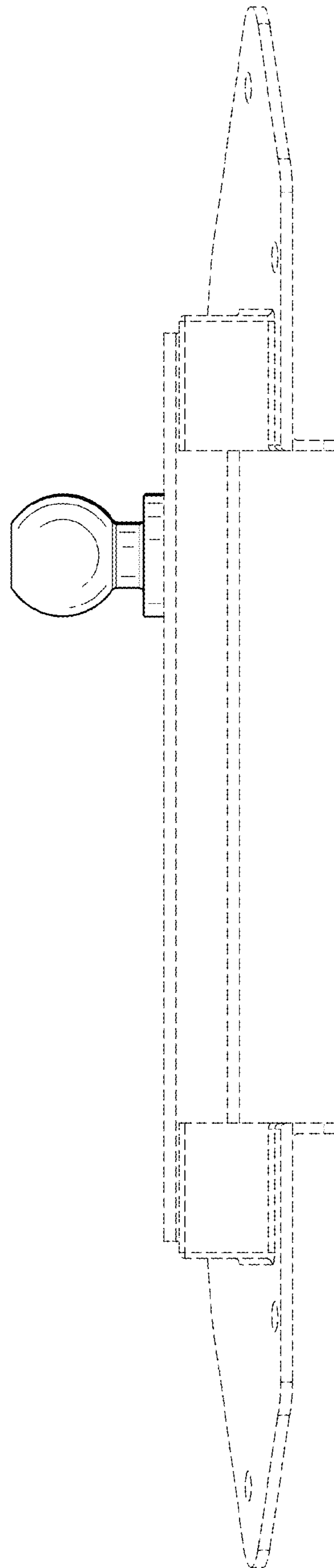


FIG. 3

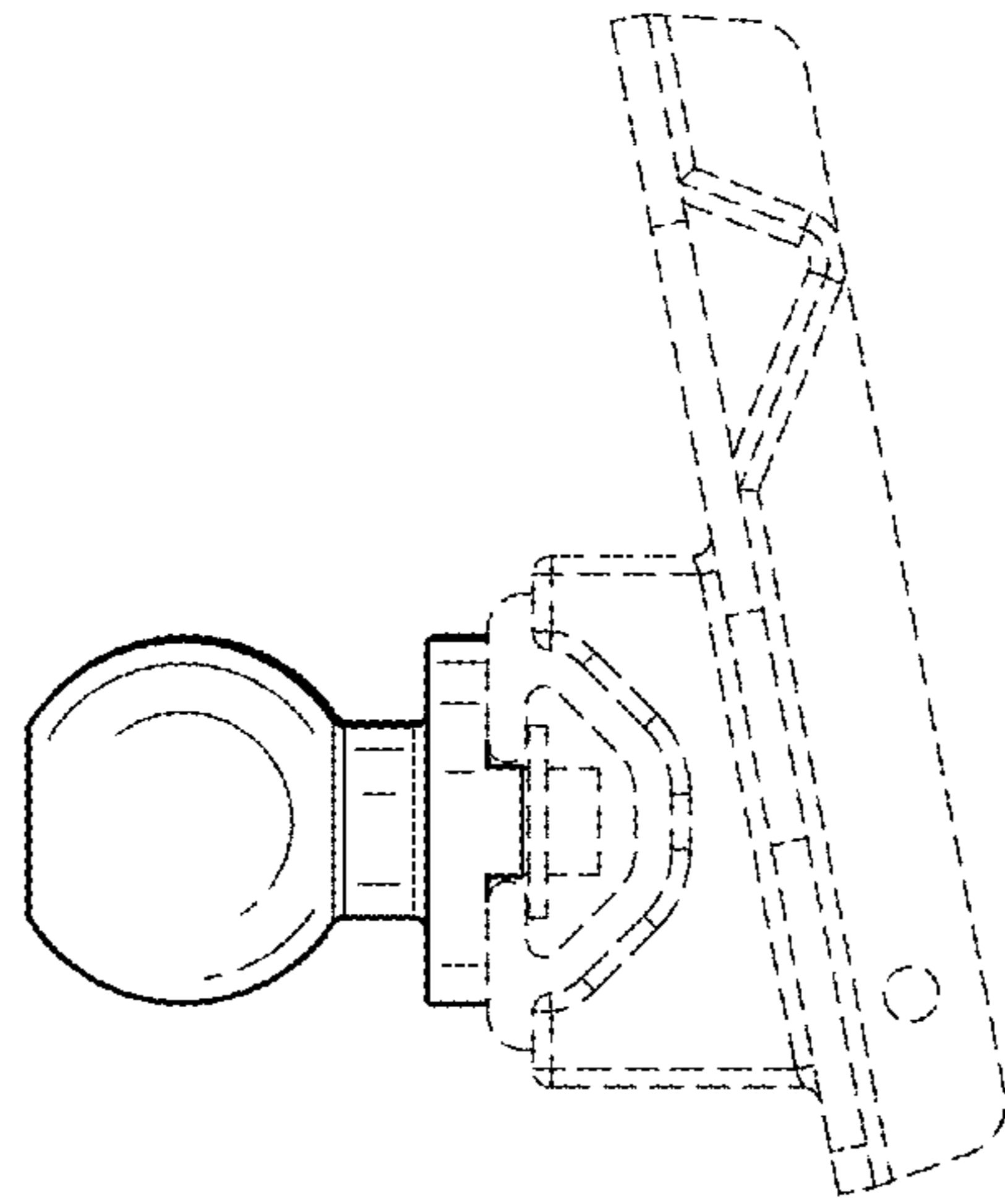


FIG. 4

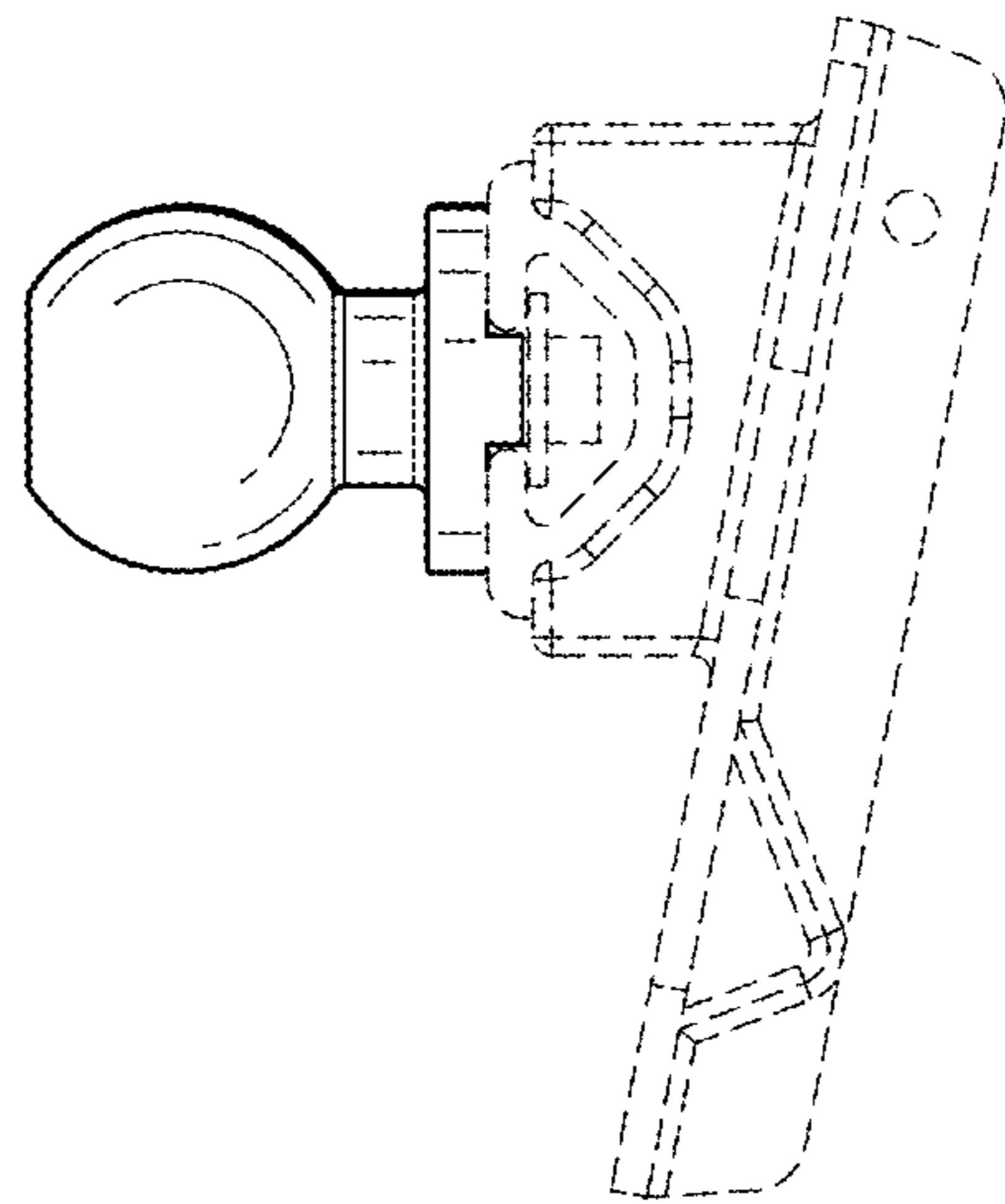


FIG. 5

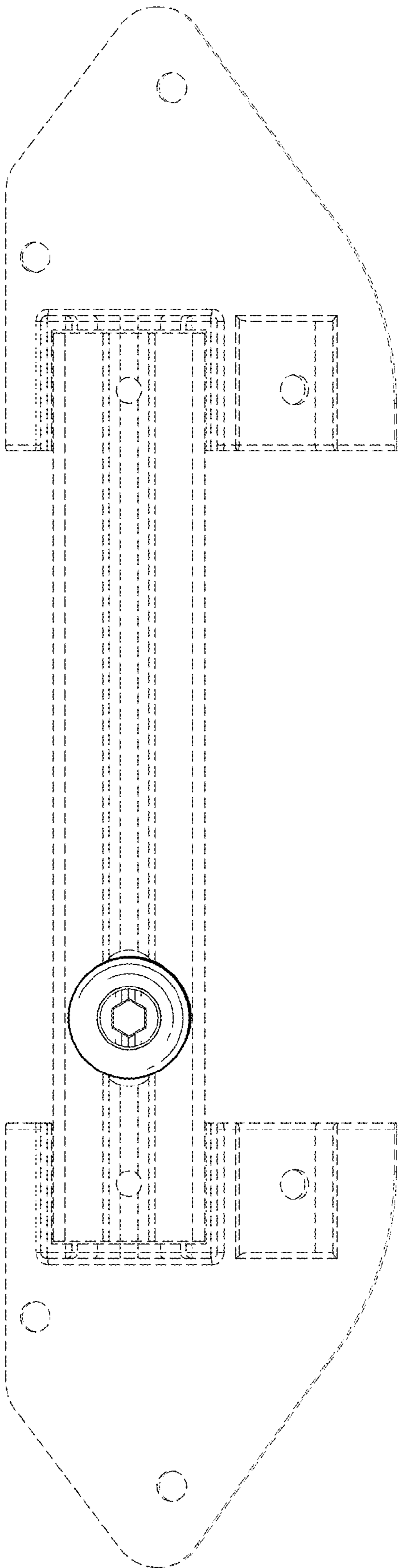


FIG. 6

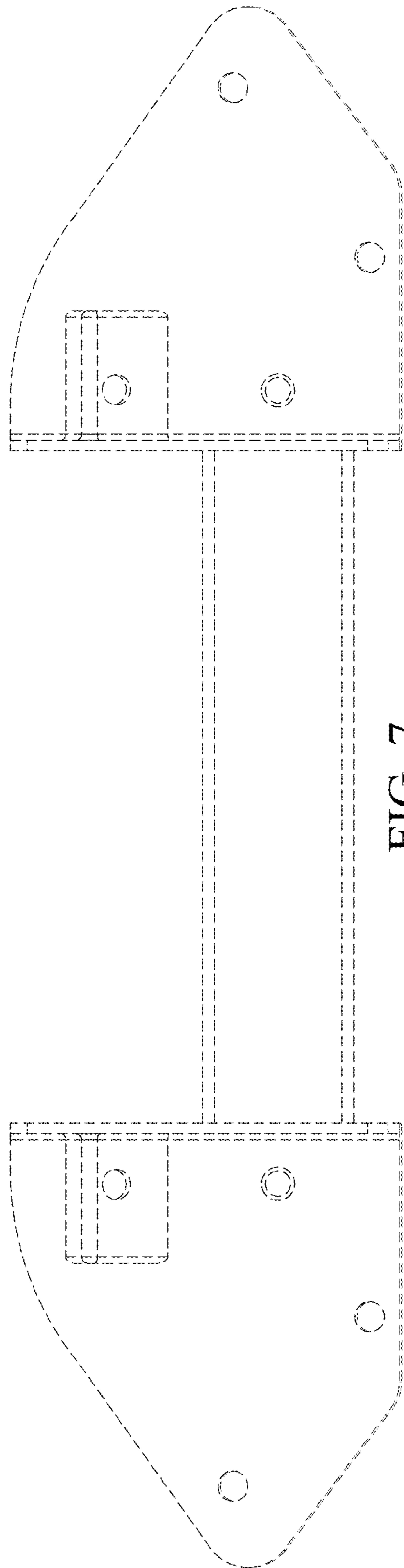


FIG. 7