



US00D909853S

(12) **United States Design Patent**  
**Jasmin**

(10) **Patent No.:** **US D909,853 S**  
(45) **Date of Patent:** **\*\* Feb. 9, 2021**

(54) **ROOF MOUNT ATTACHMENT FOR MOUNTING SOLAR PANELS**

(71) Applicant: **Sunmodo Corporation**, Vancouver, WA (US)

(72) Inventor: **Roland Jasmin**, Portland, OR (US)

(73) Assignee: **Sunmodo Corporation**, Vancouver, WA (US)

(\*\*) Term: **15 Years**

(21) Appl. No.: **29/706,312**

(22) Filed: **Sep. 19, 2019**

(51) **LOC (13) Cl.** ..... **08-05**

(52) **U.S. Cl.**  
USPC ..... **D8/354**

(58) **Field of Classification Search**  
USPC ..... D8/349, 354, 355, 363, 371, 373  
(Continued)

(56) **References Cited**

**U.S. PATENT DOCUMENTS**

712,824 A \* 11/1902 Masland ..... A47K 1/09  
211/65  
D230,348 S \* 2/1974 Sabel et al. .... D8/371  
(Continued)

**FOREIGN PATENT DOCUMENTS**

CN 206694777 U 12/2017

**OTHER PUBLICATIONS**

“L foot for Robber Flat Roof,” Product Number: DSCL051, Falon CO., LTD, Tainan City, Taiwan, downloaded from the Internet from: <http://www.falon.com.tw/products-3.php?id=49796&lang=english> on Nov. 9, 2019.

(Continued)

*Primary Examiner* — Keli L Hill

*Assistant Examiner* — Harold E Blackwell, II

(74) *Attorney, Agent, or Firm* — Stone Creek Services LLC; Alan M Flum

(57) **CLAIM**

The ornamental design for a roof mount attachment for mounting solar panels, as shown and described.

**DESCRIPTION**

FIG. 1 is a top, front, and left side isometric view of a first embodiment of the roof mount attachment for mounting solar panels showing my new design;

FIG. 2 is a top, rear, and left side isometric of the first embodiment;

FIG. 3 is a bottom, front, and left side isometric view of the first embodiment;

FIG. 4 is a front elevation view of the first embodiment;

FIG. 5 is a rear elevation view of the first embodiment;

FIG. 6 is a left side elevation view of the first embodiment;

FIG. 7 is a right side elevation view of the first embodiment;

FIG. 8 is a top plan view of the first embodiment;

FIG. 9 is a bottom plan view of the first embodiment.

FIG. 10 is a top, front, and left side isometric view of a second embodiment of the roof mount attachment for mounting solar panels showing my new design;

FIG. 11 is a top, rear, and left side isometric of the second embodiment;

FIG. 12 is a bottom, front, and left side isometric view of the second embodiment;

FIG. 13 is a front elevation view of the second embodiment;

FIG. 14 is a rear elevation view of the second embodiment;

FIG. 15 is a left side elevation view of the second embodiment;

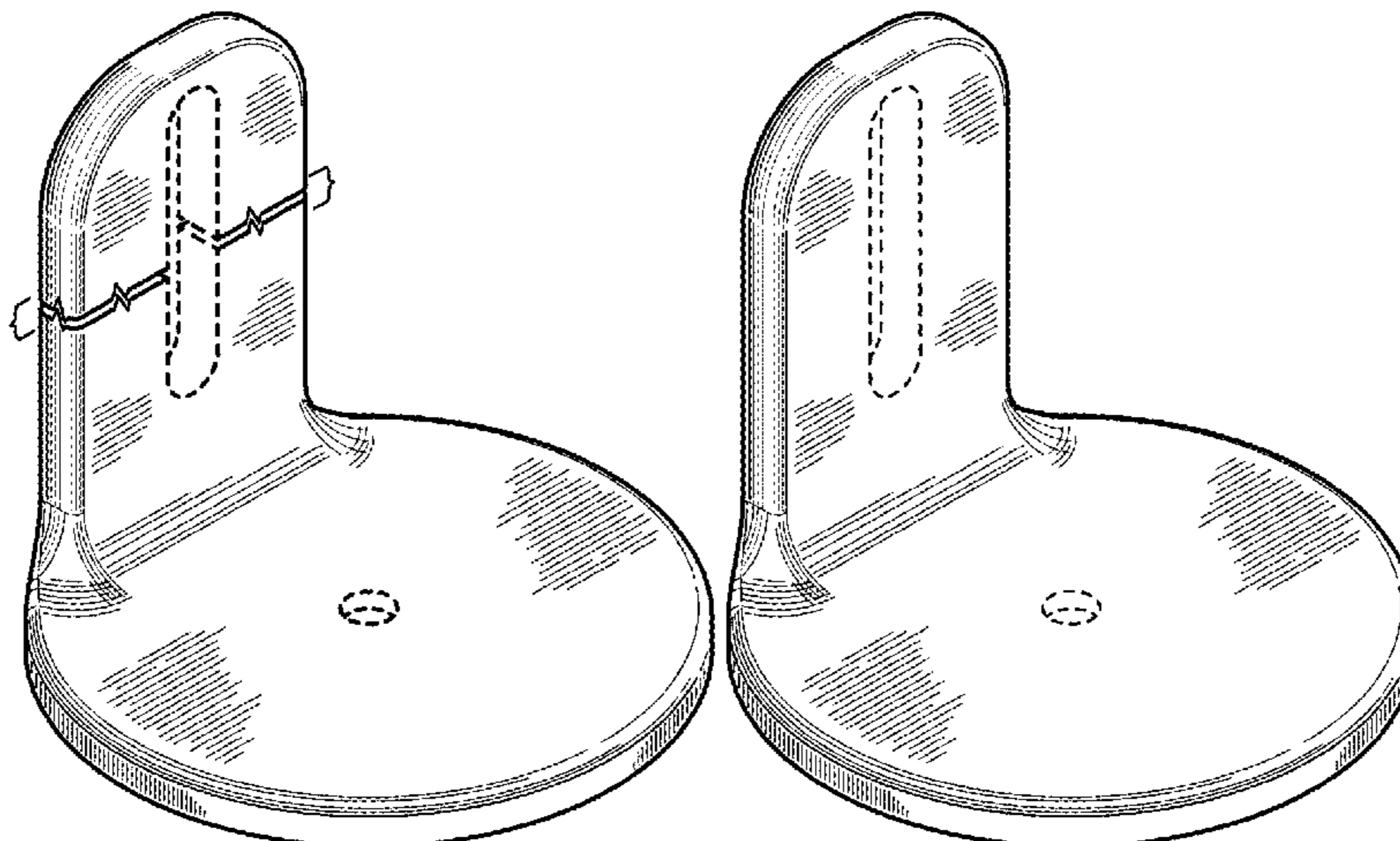
FIG. 16 is a right side elevation view of the second embodiment;

FIG. 17 is a top plan view of the second embodiment; and,

FIG. 18 is a bottom plan view of the second embodiment.

The surface shading illustrated in the drawings depicts surface contour and does not depict or otherwise suggest the presence of surface ornamentation or texture. In FIGS. 1-9, portions are shown broken away to indicate that those portions have no specific length. The evenly-spaced broken

(Continued)



lines in FIGS. 1-5, 8-14, 17, and 18 represent outside boundaries of apertures that are not part of the claimed design.

**1 Claim, 10 Drawing Sheets**

(58) **Field of Classification Search**

CPC .. A45F 2200/0433; A45F 3/14; B60P 7/0823;  
A45C 13/30; A45C 11/38

See application file for complete search history.

(56)

**References Cited**

U.S. PATENT DOCUMENTS

D357,400 S	*	4/1995	Sachs .....	D8/354
D432,901 S	*	10/2000	McDonald .....	D8/354
D437,543 S		2/2001	Mudryk et al.	
D482,597 S		11/2003	Brass et al.	
D543,834 S		6/2007	Worthy	
D546,366 S	*	7/2007	Dittmer .....	D16/235
D584,597 S	*	1/2009	Menard .....	D8/354
D684,033 S	*	6/2013	Preda .....	D8/354
D725,999 S		4/2015	Wu	
D727,395 S		4/2015	Choi et al.	
D740,108 S		10/2015	Di Stefano	
D818,517 S	*	5/2018	Szarawarski .....	D16/242
D832,860 S		11/2018	Murphey et al.	
D833,851 S	*	11/2018	Kanter .....	D8/354

10,205,418 B2	*	2/2019	Nayar .....	F24S 25/613
D849,514 S		5/2019	Rinaldi	
10,601,361 B2	*	3/2020	Tomolillo .....	F16B 43/001
2012/0049022 A1	*	3/2012	Coyle .....	E06B 3/04
				248/220.21
2015/0270802 A1	*	9/2015	Schaefer .....	H02S 20/23
				248/237

OTHER PUBLICATIONS

Solar Roof Hook Debuts New Low-Profile QuickBOLT Asphalt Shingle Mount, Solar Builder, Jan. 11, 2017, downloaded from the Internet at <https://solarbuildermag.com/news/solarroofhook-debuts-time-saving-asphalt-shingle-roof-mount/> on Aug. 23, 2019.

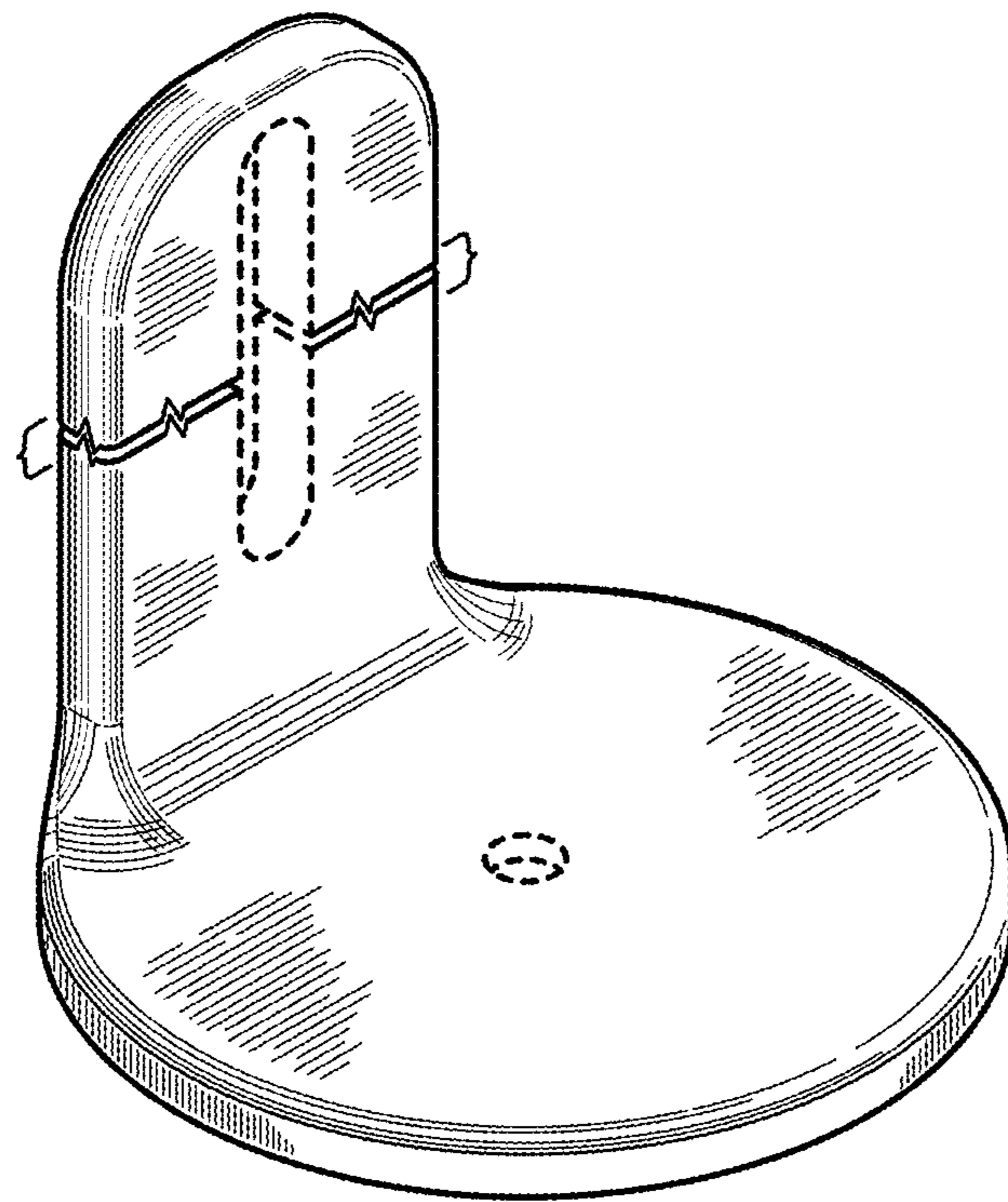
QuickBOLT 2019 Catalog, Mar. 2019, Quick Screw International Corporation, Livermore, California.

Residential Solar Mounting Guide 2019: Situations and Solutions, Solar Builder, Jun. 11, 2019, p. 11 (Pegasus Comp Mount), Benjamin Media, Brecksville, Ohio, downloaded from the Internet from <https://solarbuildermag.com/featured/residential-solar-mounting-solutions-guide-2019-situations-and-solutions/> on Aug. 12, 2020.

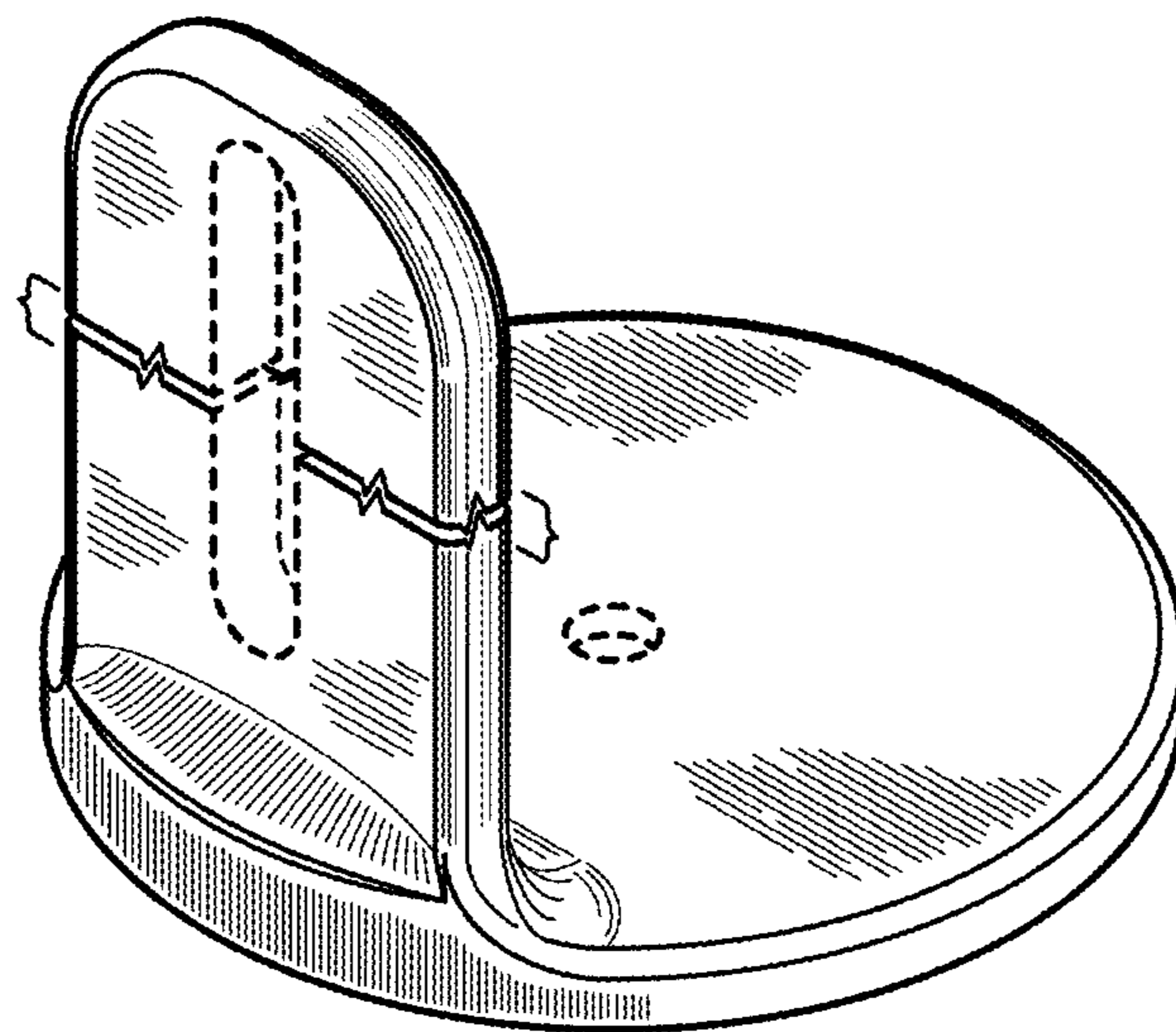
Pegasus Solar Comp Mount—Black, Oct. 2018, Pegasus Solar Inc, Richmond, California.

Pegasus Solar—Comp Mount vs. Conventional Flashing: Water Flow Comparison, YouTube video, Posted: Feb. 22, 2019, screenshots of video downloaded from the Internet from [https://www.youtube.com/watch?time\\_continue=20&v=jkIDUZrsego](https://www.youtube.com/watch?time_continue=20&v=jkIDUZrsego) on Sep. 30, 2020.

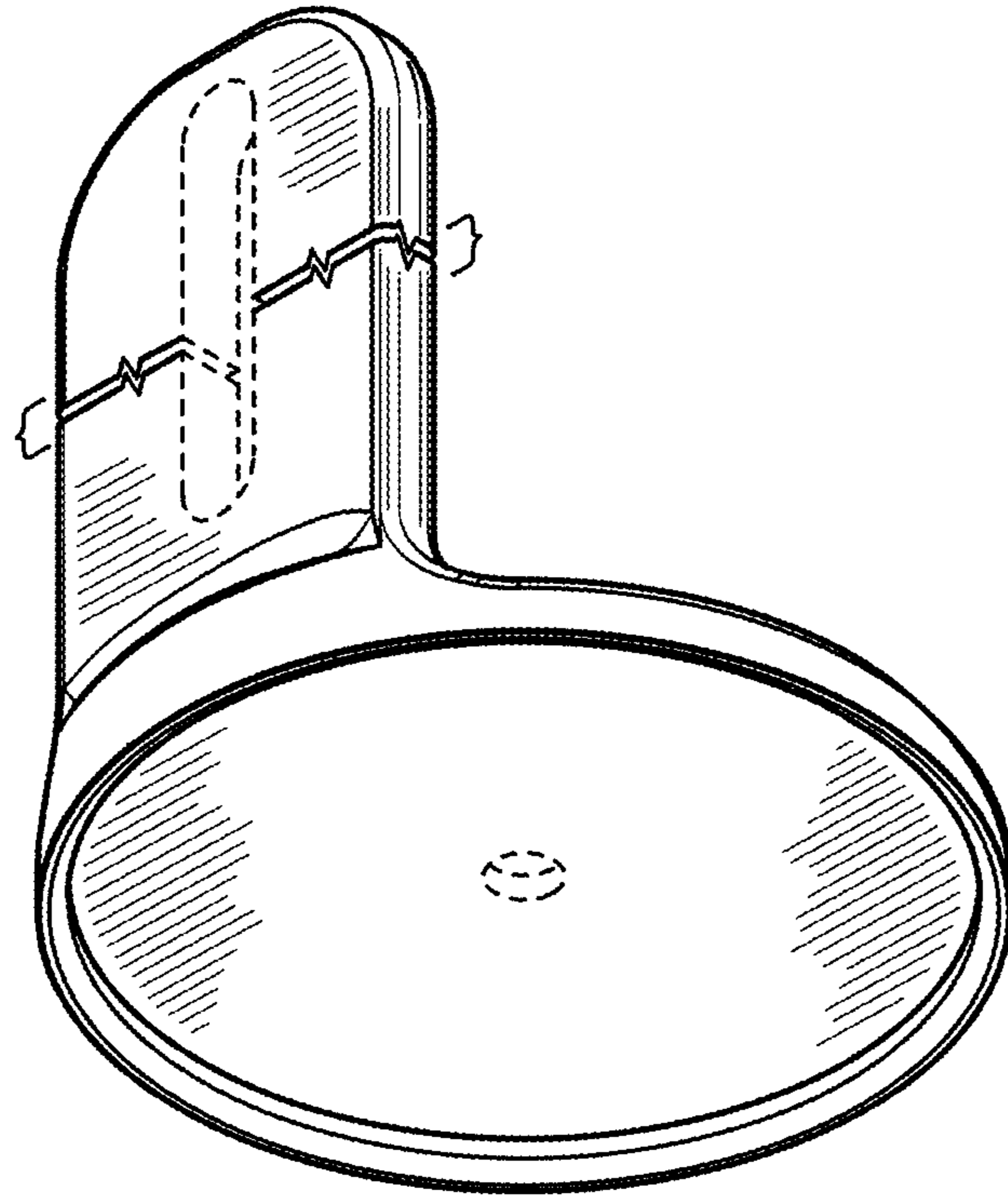
\* cited by examiner



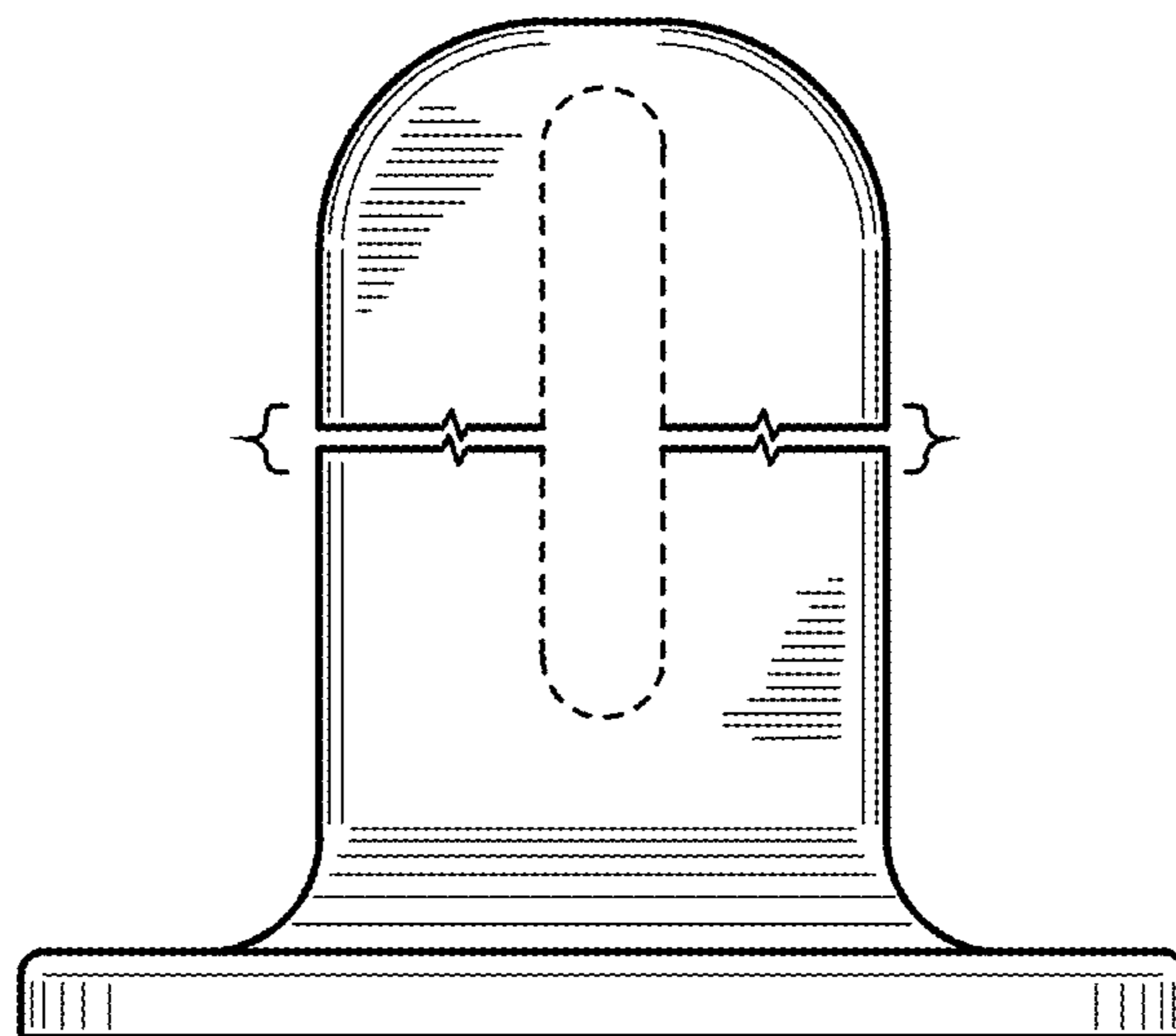
**FIG. 1**



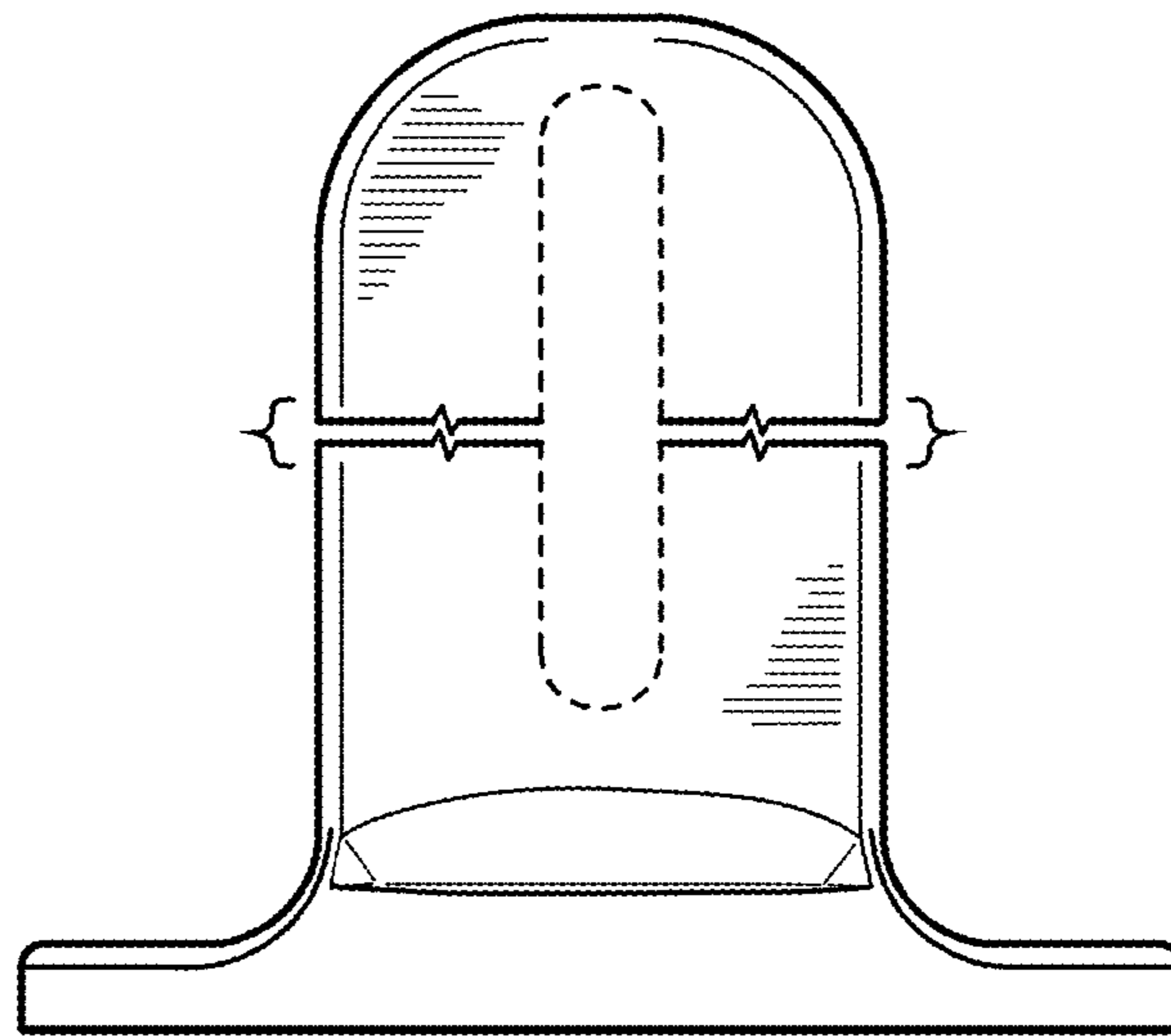
**FIG. 2**



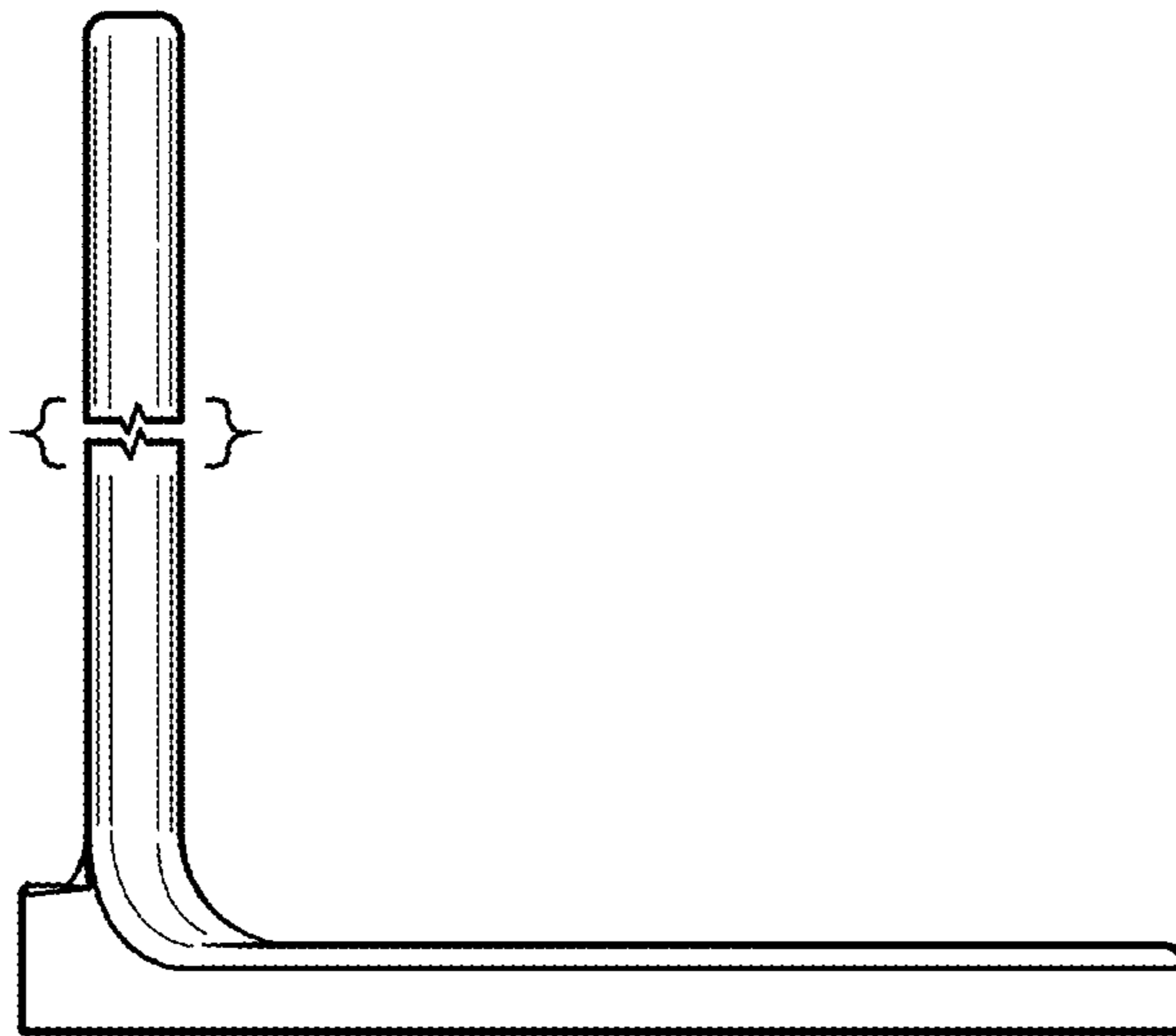
**FIG. 3**



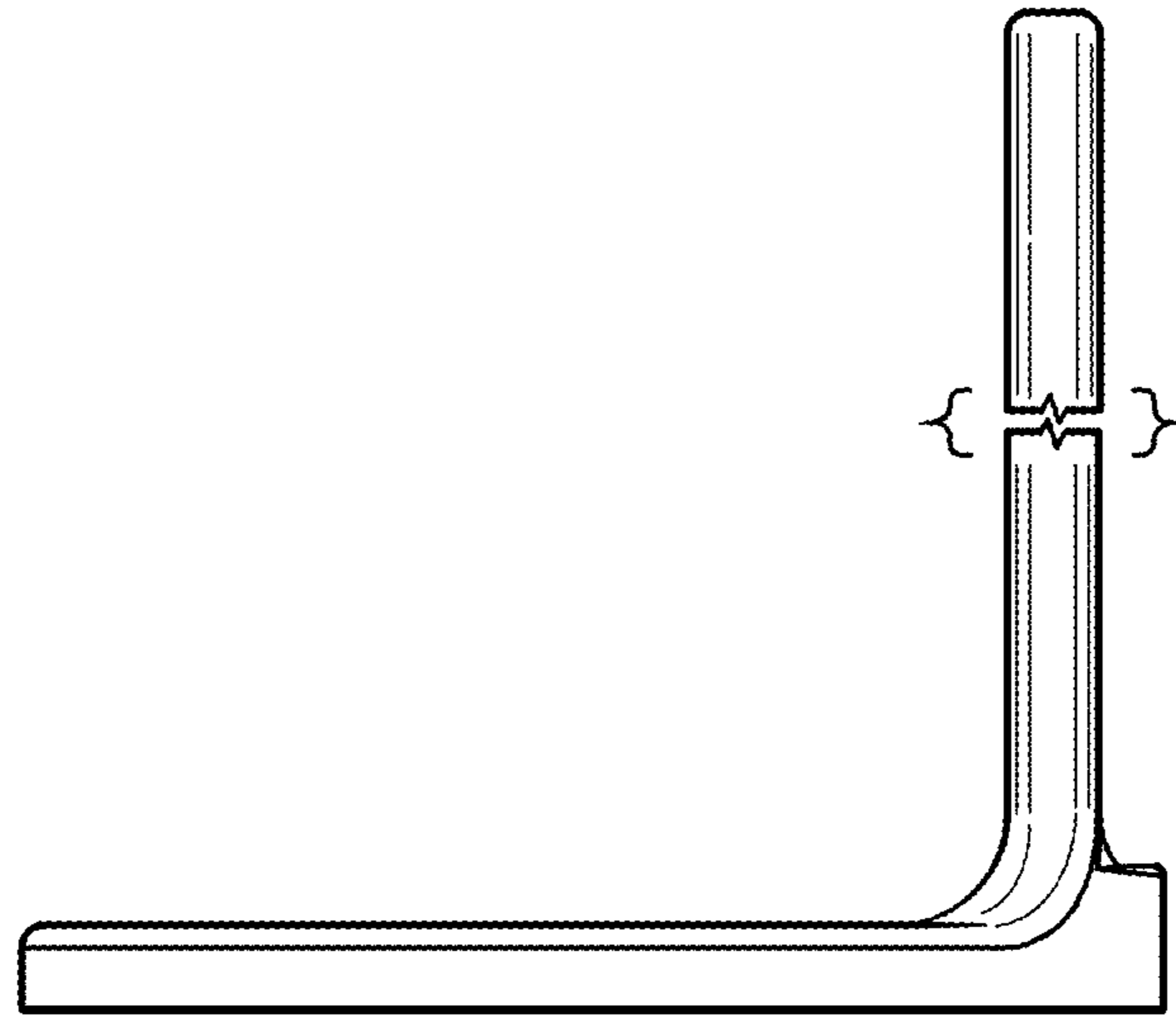
**FIG. 4**



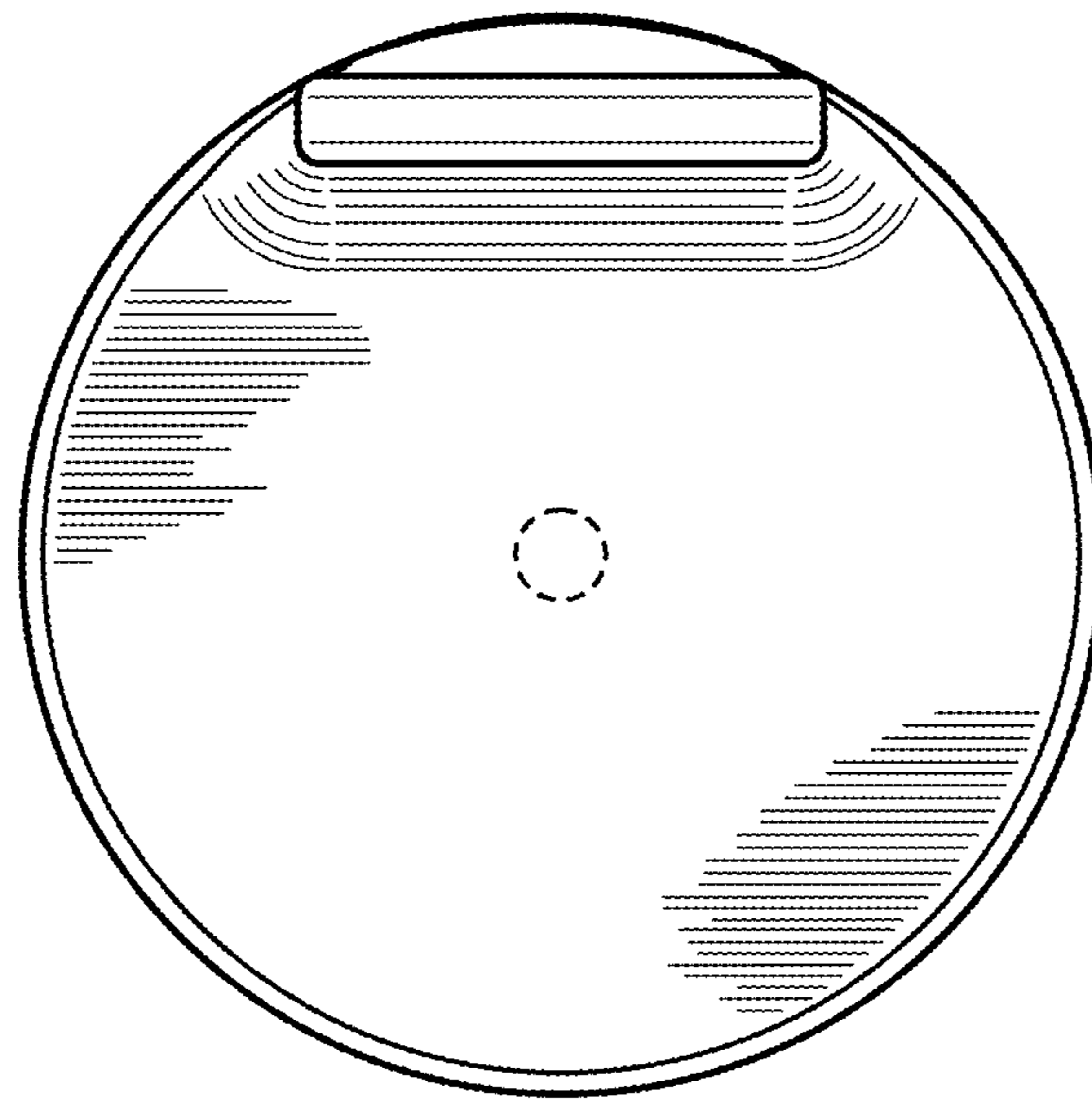
**FIG. 5**



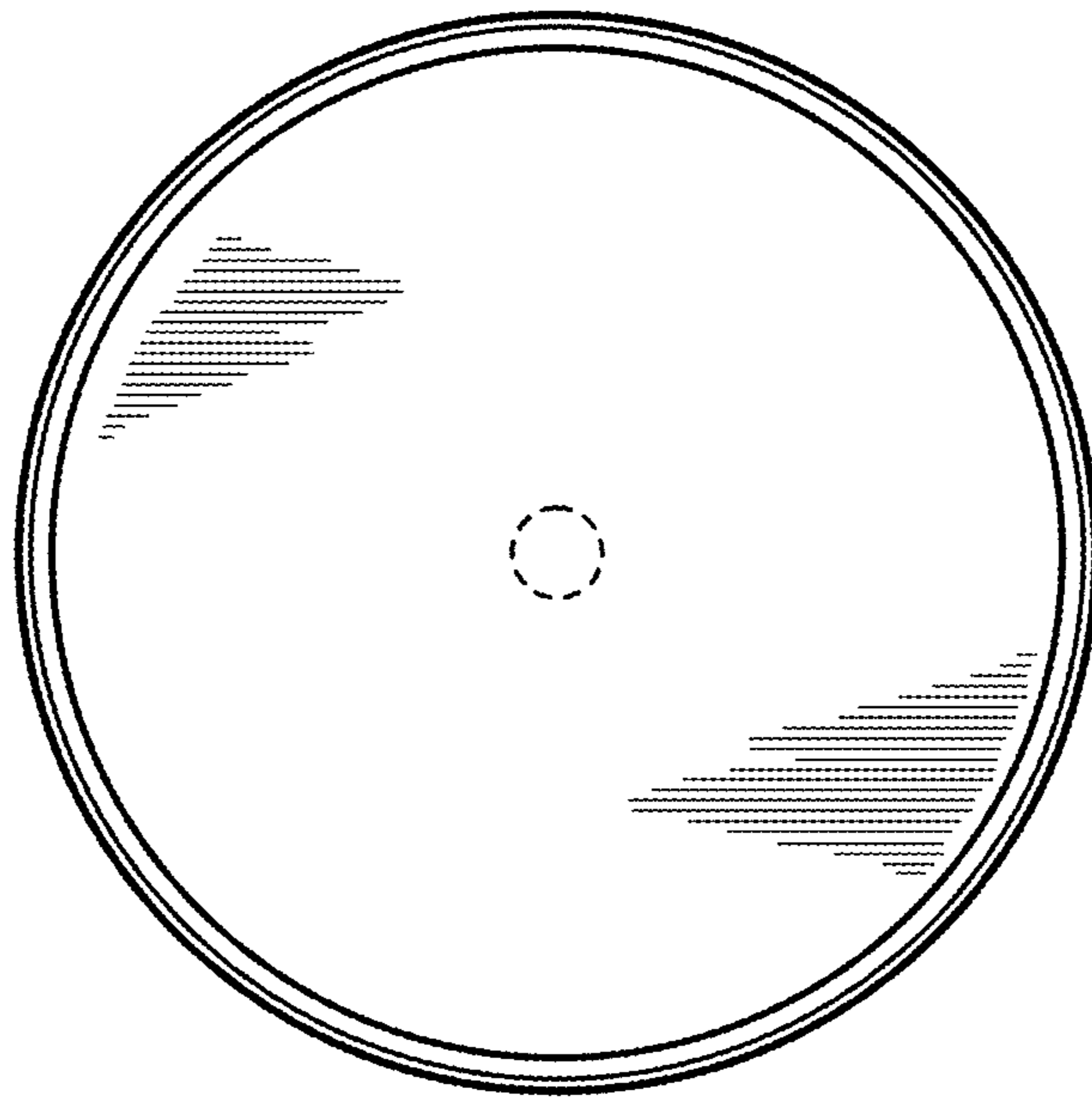
**FIG. 6**



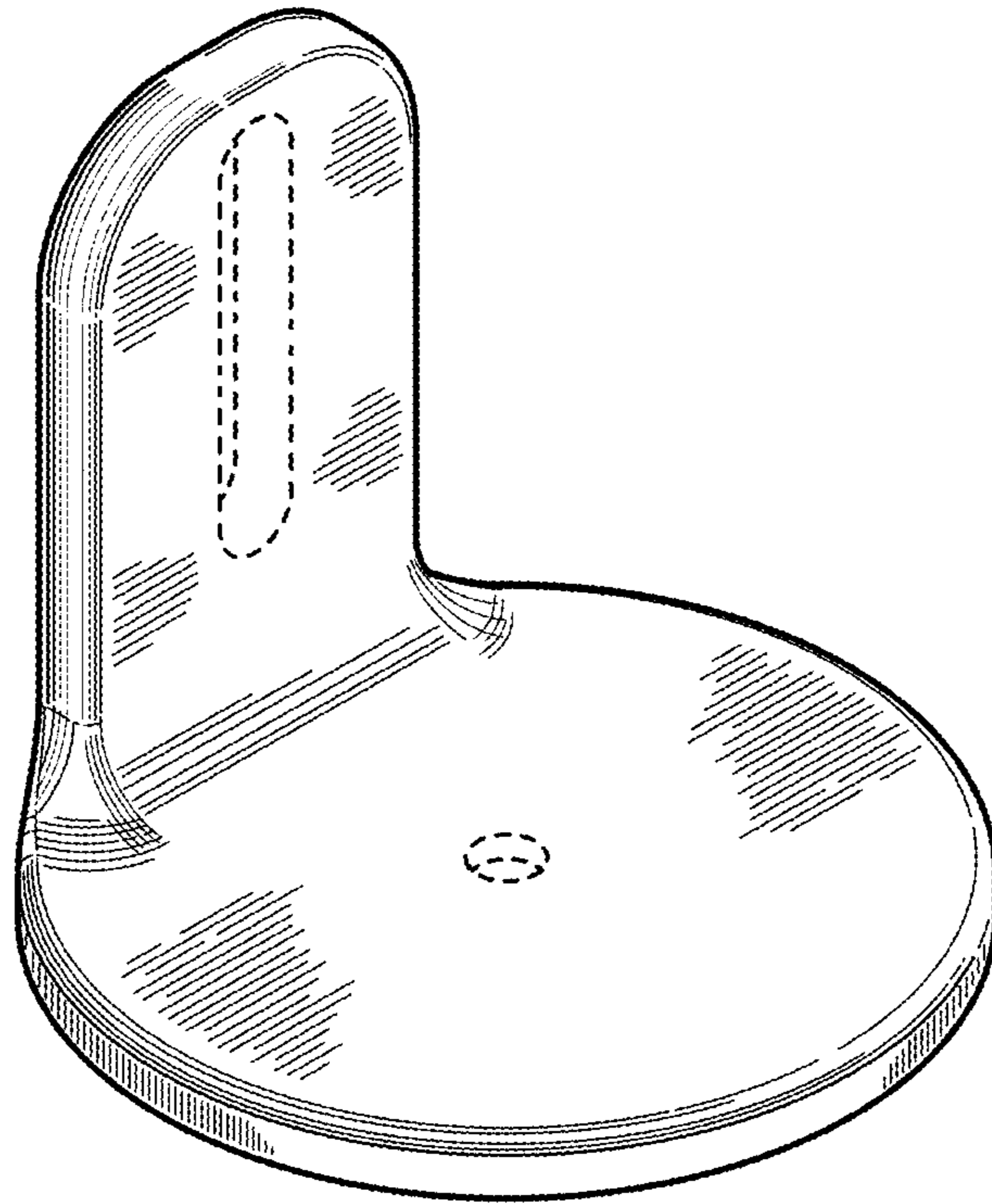
**FIG. 7**



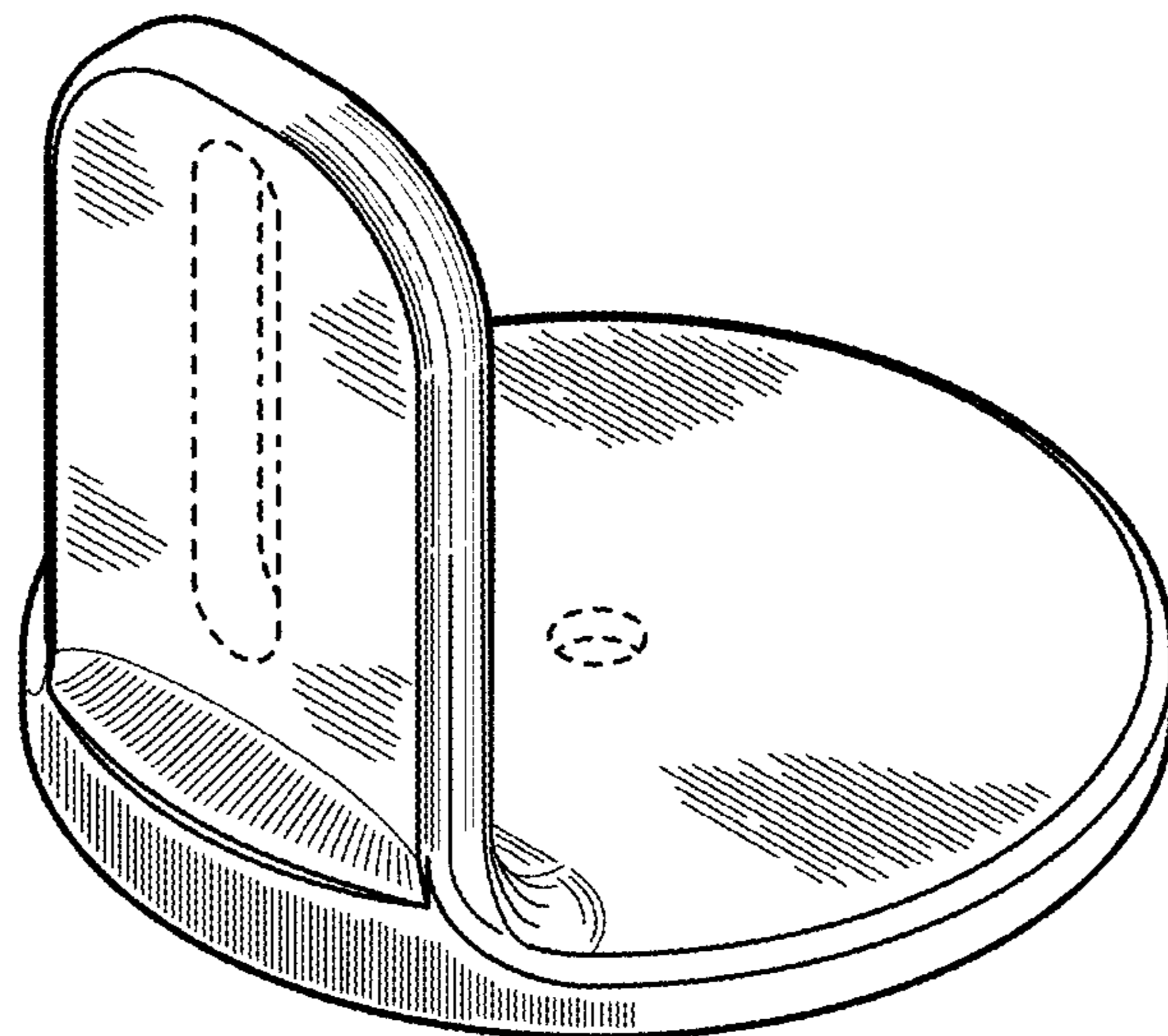
**FIG. 8**



**FIG. 9**

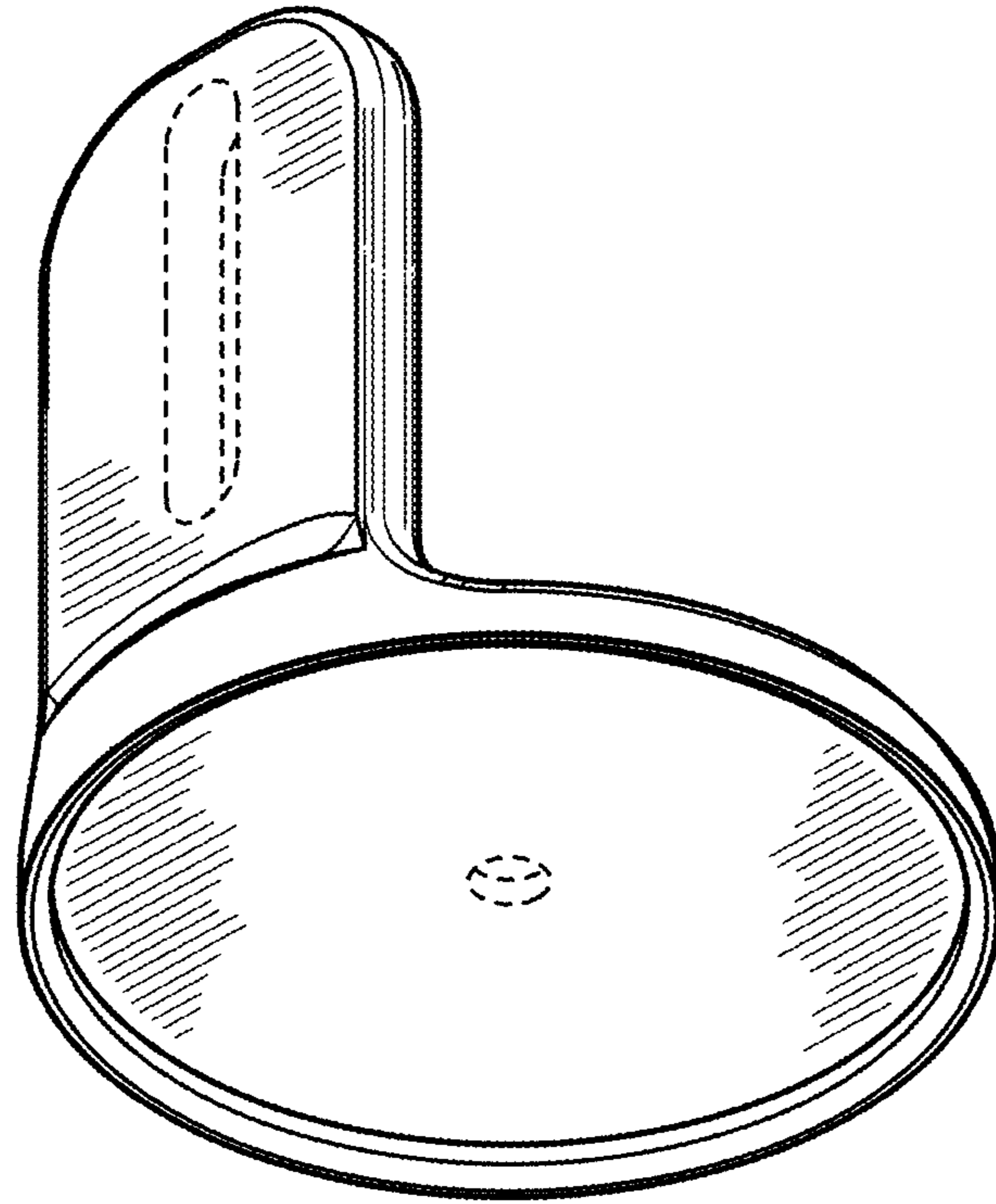


**FIG. 10**

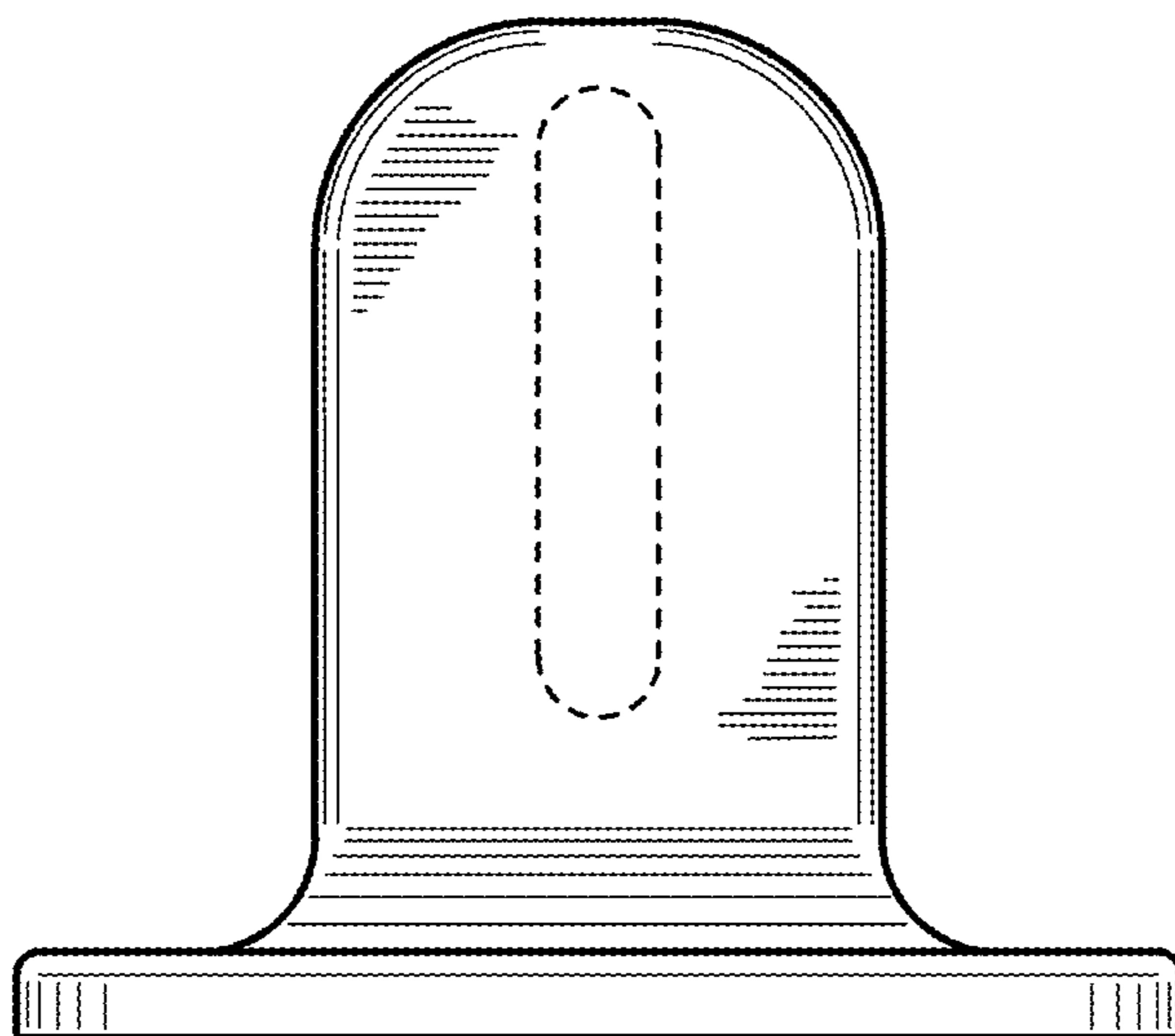


**FIG. 11**

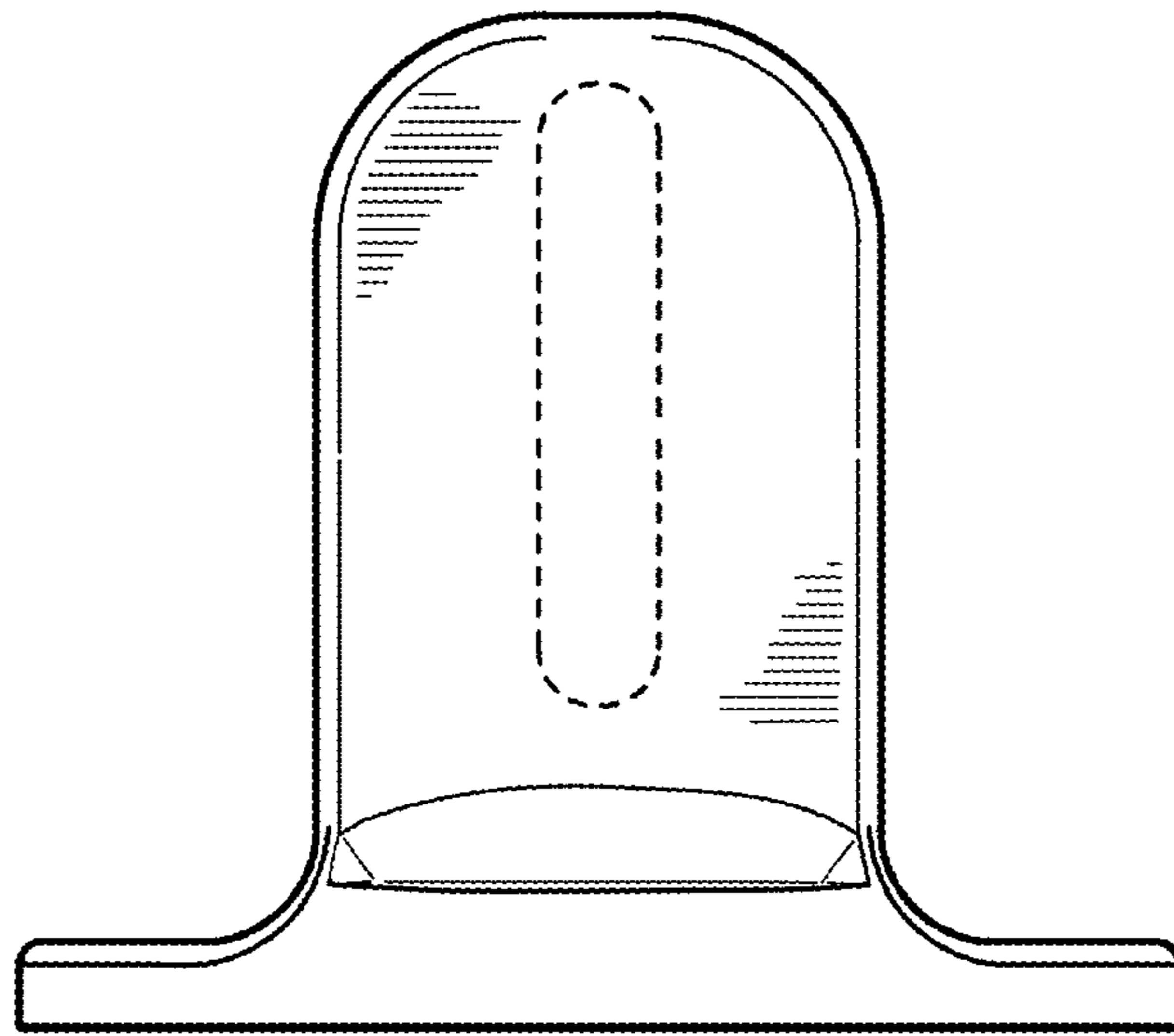




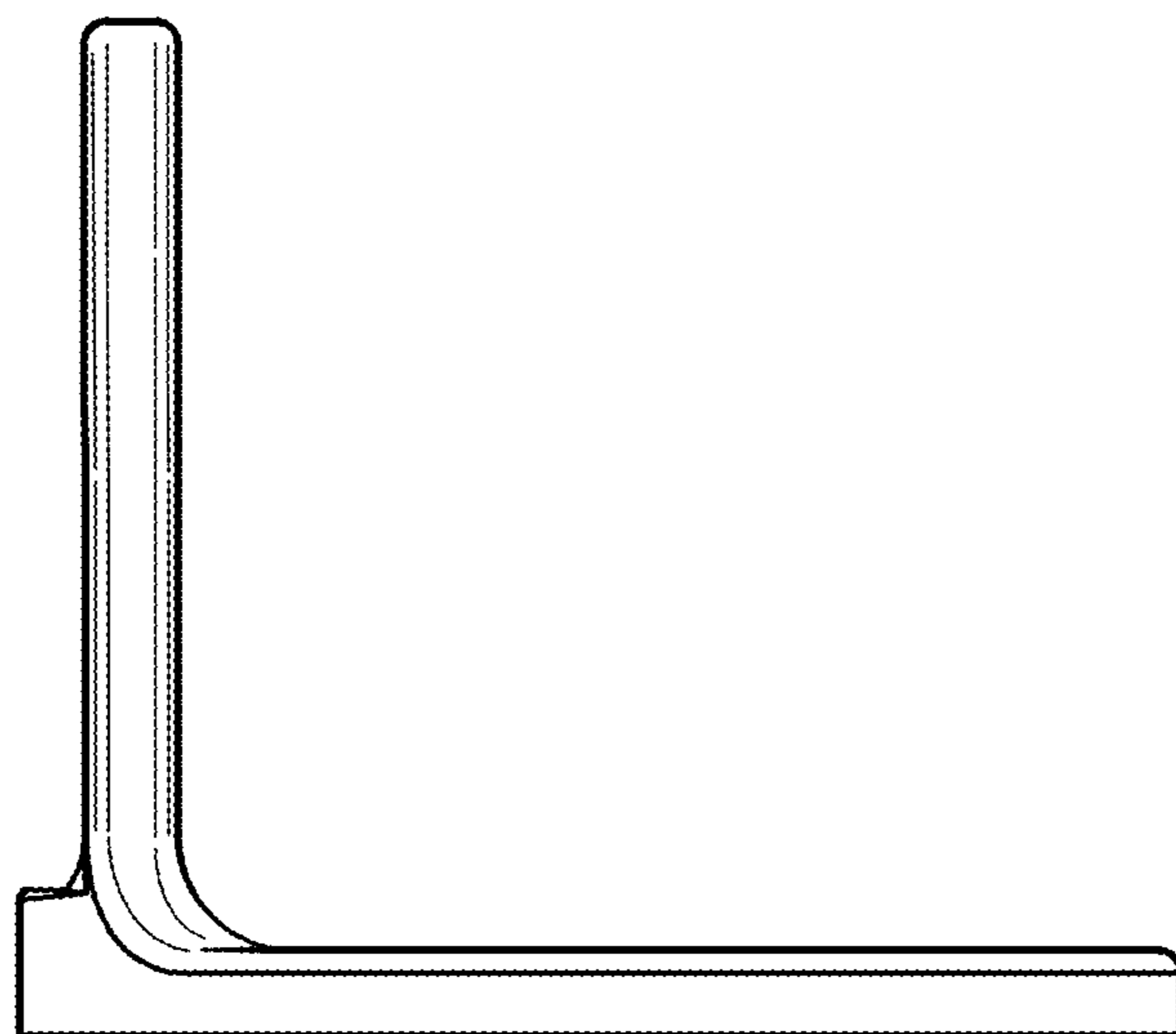
**FIG. 12**



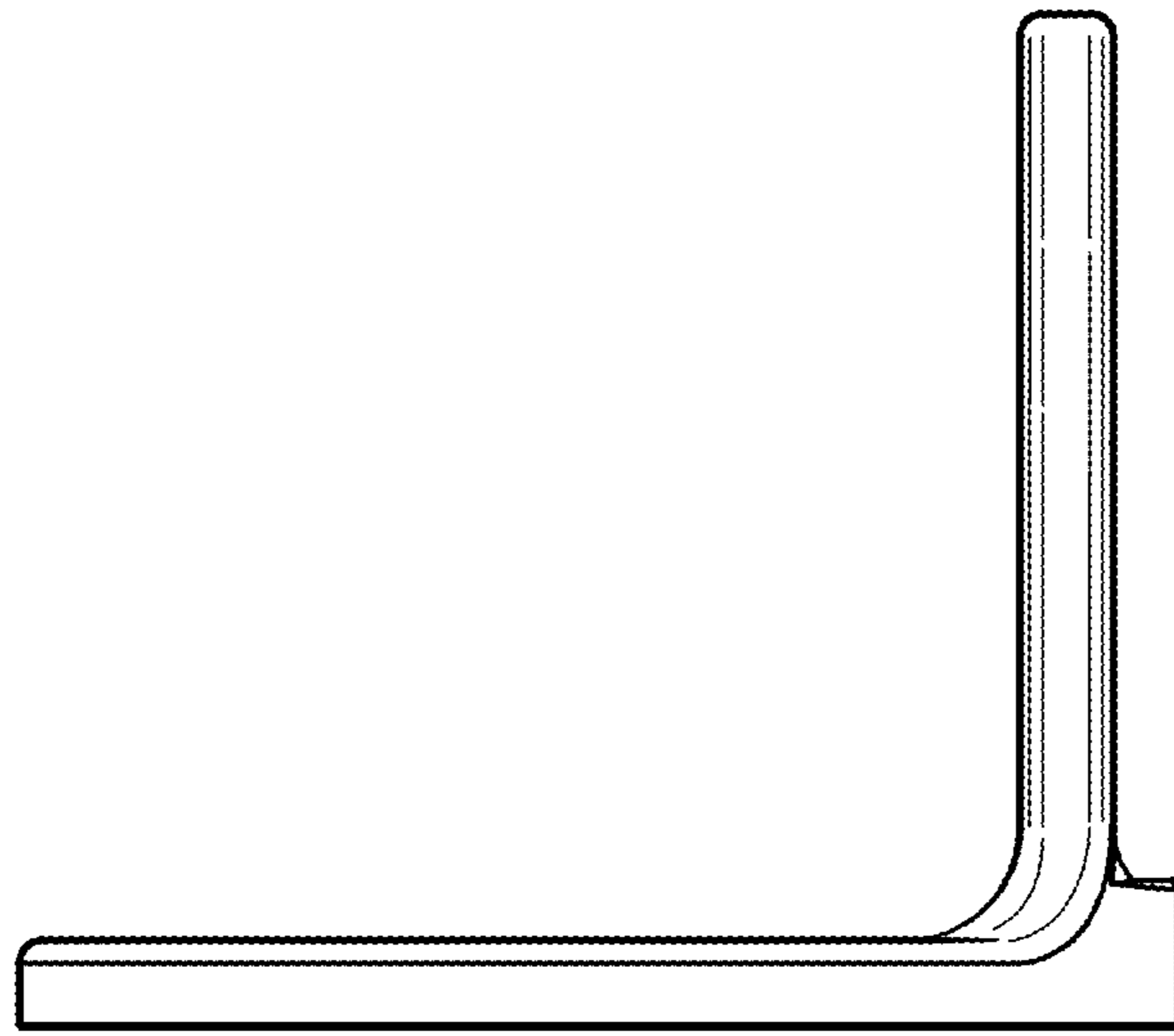
**FIG. 13**



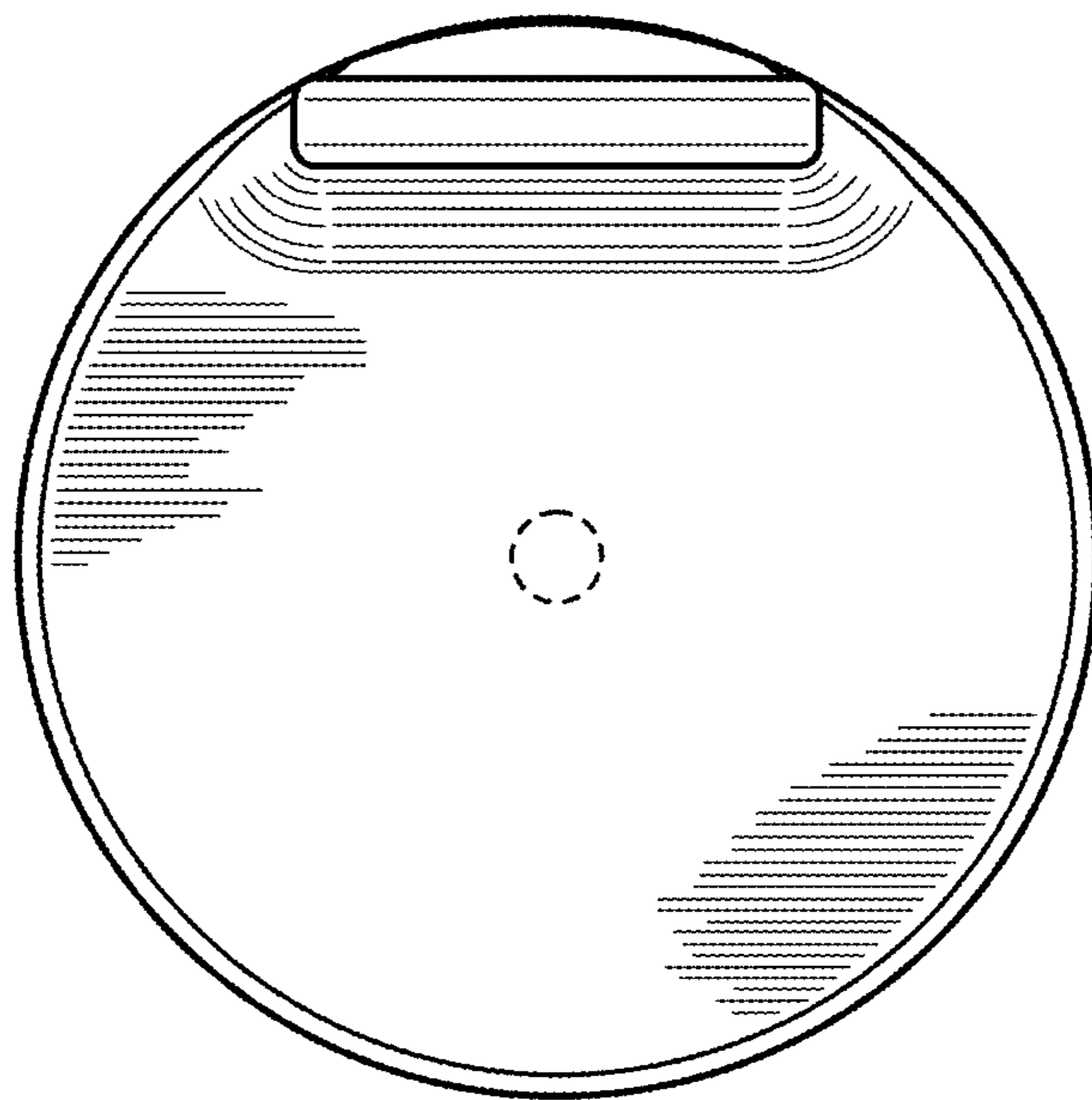
**FIG. 14**



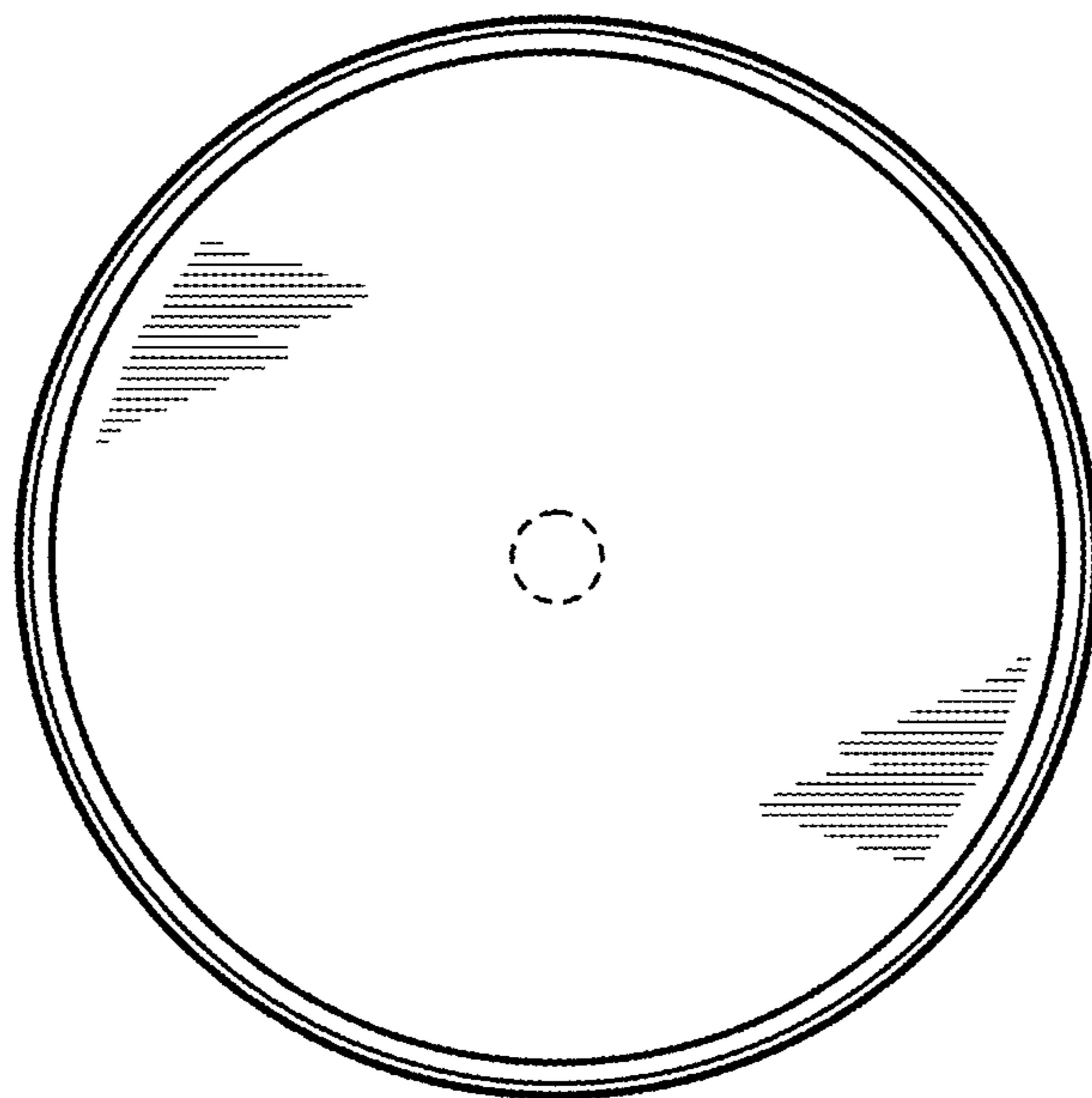
**FIG. 15**



**FIG. 16**



**FIG. 17**



**FIG. 18**