



US00D909851S

(12) **United States Design Patent**
Chiang

(10) **Patent No.:** **US D909,851 S**

(45) **Date of Patent:** **** Feb. 9, 2021**

(54) **COMBINED PLATE HOLDING BRACKET**

(71) Applicant: **Man Kit Chiang**, Fremont, CA (US)

(72) Inventor: **Man Kit Chiang**, Fremont, CA (US)

(**) Term: **15 Years**

(21) Appl. No.: **29/702,586**

(22) Filed: **Aug. 20, 2019**

(51) **LOC (13) Cl.** **08-08**

(52) **U.S. Cl.**
USPC **D8/349**

(58) **Field of Classification Search**
USPC D8/349, 350–353, 355, 363, 373–377
CPC A47G 1/20; A47G 7/047; A47G 25/0607;
A47G 29/00
See application file for complete search history.

(56) **References Cited**

U.S. PATENT DOCUMENTS

D554,475 S *	11/2007	Gorin	D8/353
D554,974 S *	11/2007	Huang	D8/352
D579,759 S *	11/2008	Strait	D8/349
D645,727 S *	9/2011	Bergmann	D8/350
D671,394 S *	11/2012	Derry	D8/373
D673,838 S *	1/2013	Clark	D8/353
D675,081 S *	1/2013	Clark	D8/353
8,541,699 B2 *	9/2013	Milton	H02G 15/007
				174/659
8,973,216 B1 *	3/2015	Ramirez	H02G 3/22
				16/2.2
D839,076 S *	1/2019	Siminoff	D8/349
10,249,993 B2 *	4/2019	Andersen	H02G 3/14
D867,853 S *	11/2019	Lin	D8/331
D884,457 S *	5/2020	Roberts, III	D8/353

D887,818 S *	6/2020	Lynch	D8/349
D889,936 S *	7/2020	DeCosta	D8/353
D893,288 S *	8/2020	Wendling	D8/374
D893,289 S *	8/2020	Oetlinger	D8/376
D894,720 S *	9/2020	Wendling	D8/374

* cited by examiner

Primary Examiner — Mark A Goodwind
Assistant Examiner — Benjamin M Weeks

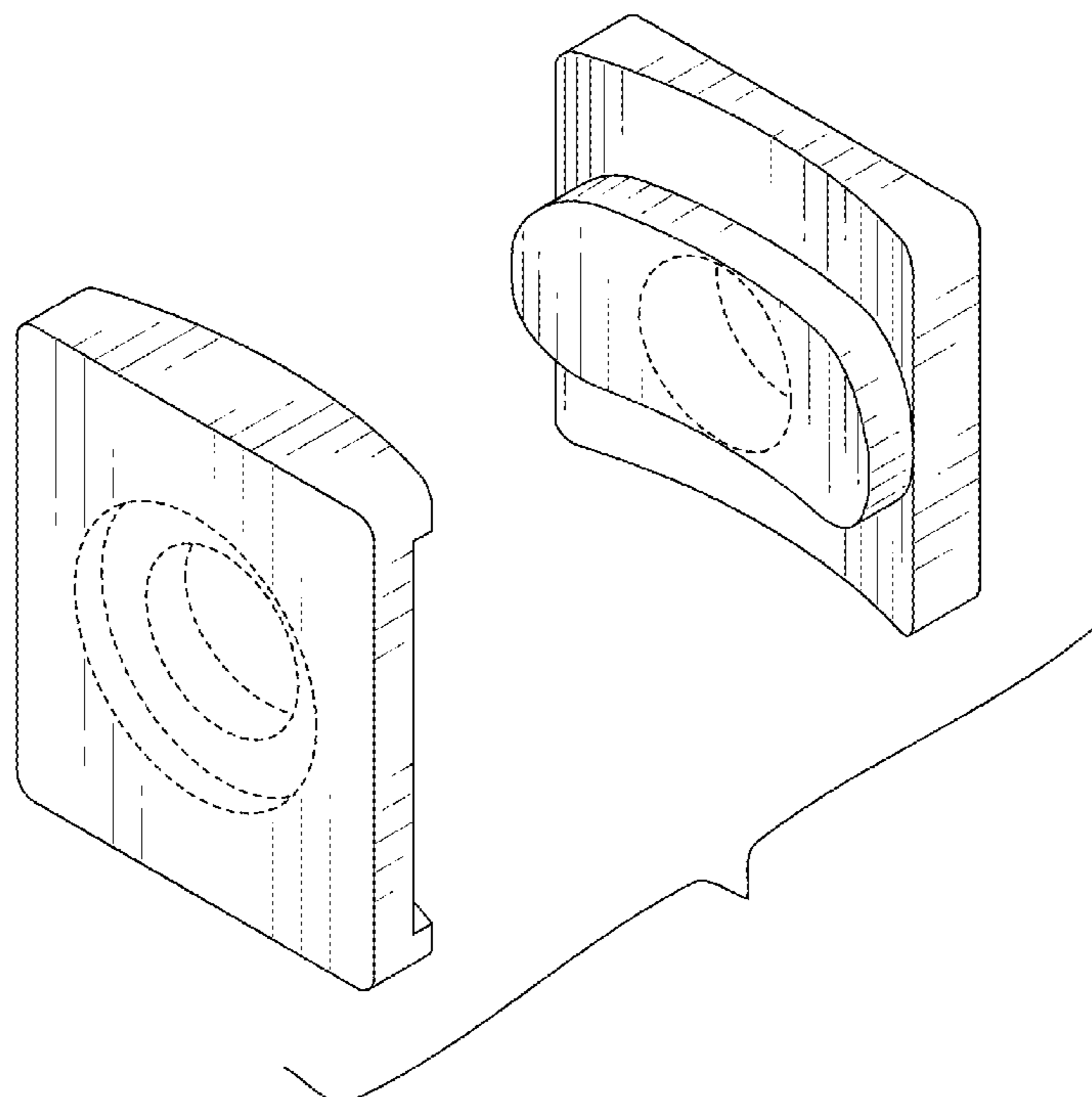
(57) **CLAIM**

The ornamental design for a combined plate holding bracket, as shown and described.

DESCRIPTION

FIG. 1 is a top-front-left perspective view of a combined plate holding bracket showing my new design;
 FIG. 2 is a bottom-rear-right perspective view thereof;
 FIG. 3 is a front elevated view thereof;
 FIG. 4 is a rear elevated view thereof;
 FIG. 5 is a top plan view thereof;
 FIG. 6 is a bottom plan view thereof;
 FIG. 7 is a right elevated view thereof;
 FIG. 8 is a left elevated view thereof;
 FIG. 9 is a top front-left perspective view thereof, showing the combined plate holding bracket in an operational configuration; and,
 FIG. 10 is a bottom rear-right perspective view thereof, showing the combined plate holding bracket in an operational configuration.
 The broken lines showing of orifices in FIG. 1-4 and FIG. 7-10, and the broken lines showing of a plate in FIG. 9-10 are included for the purpose of showing environmental structure and form no part of the claimed design.

1 Claim, 10 Drawing Sheets



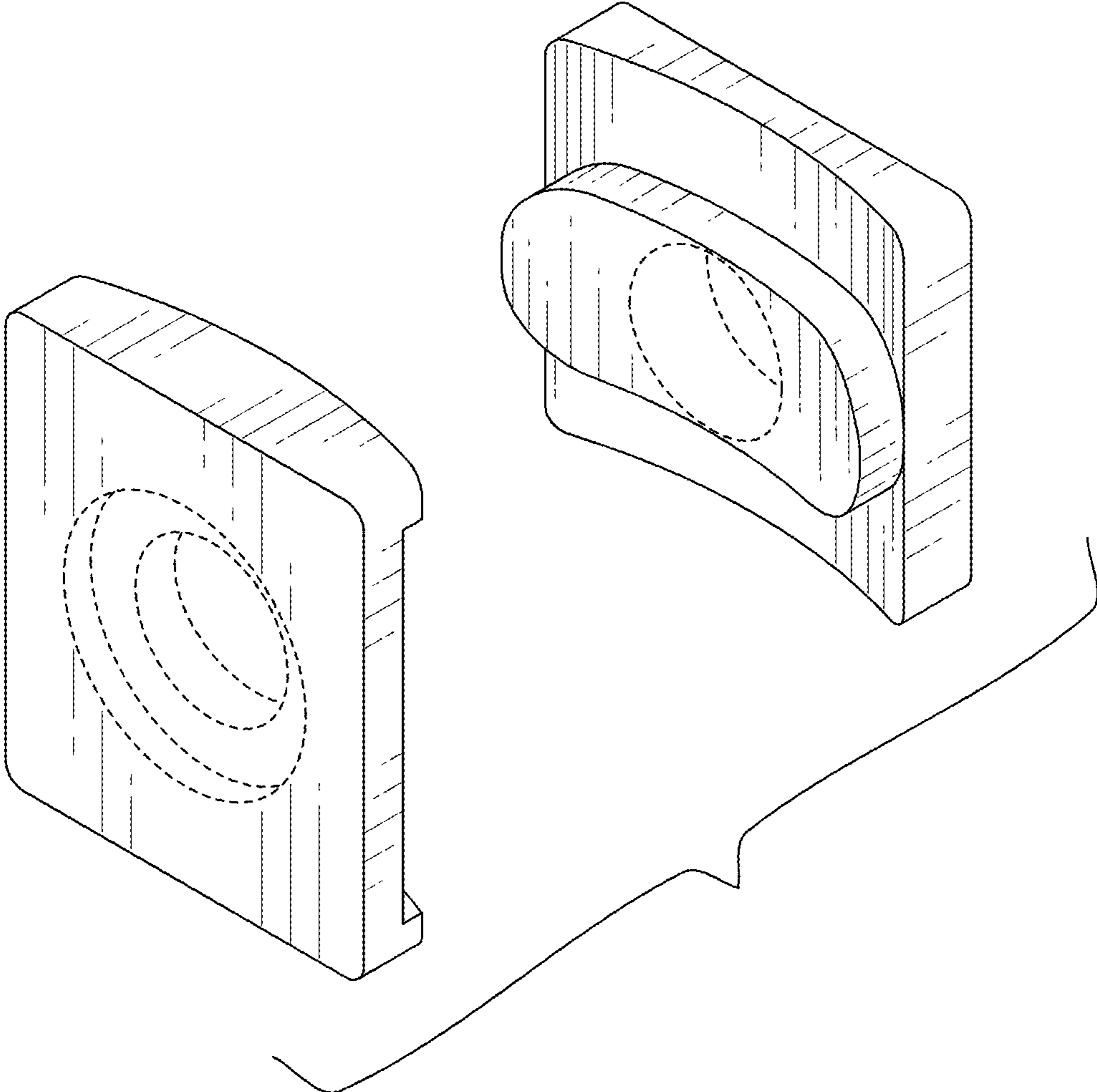


FIG. 1

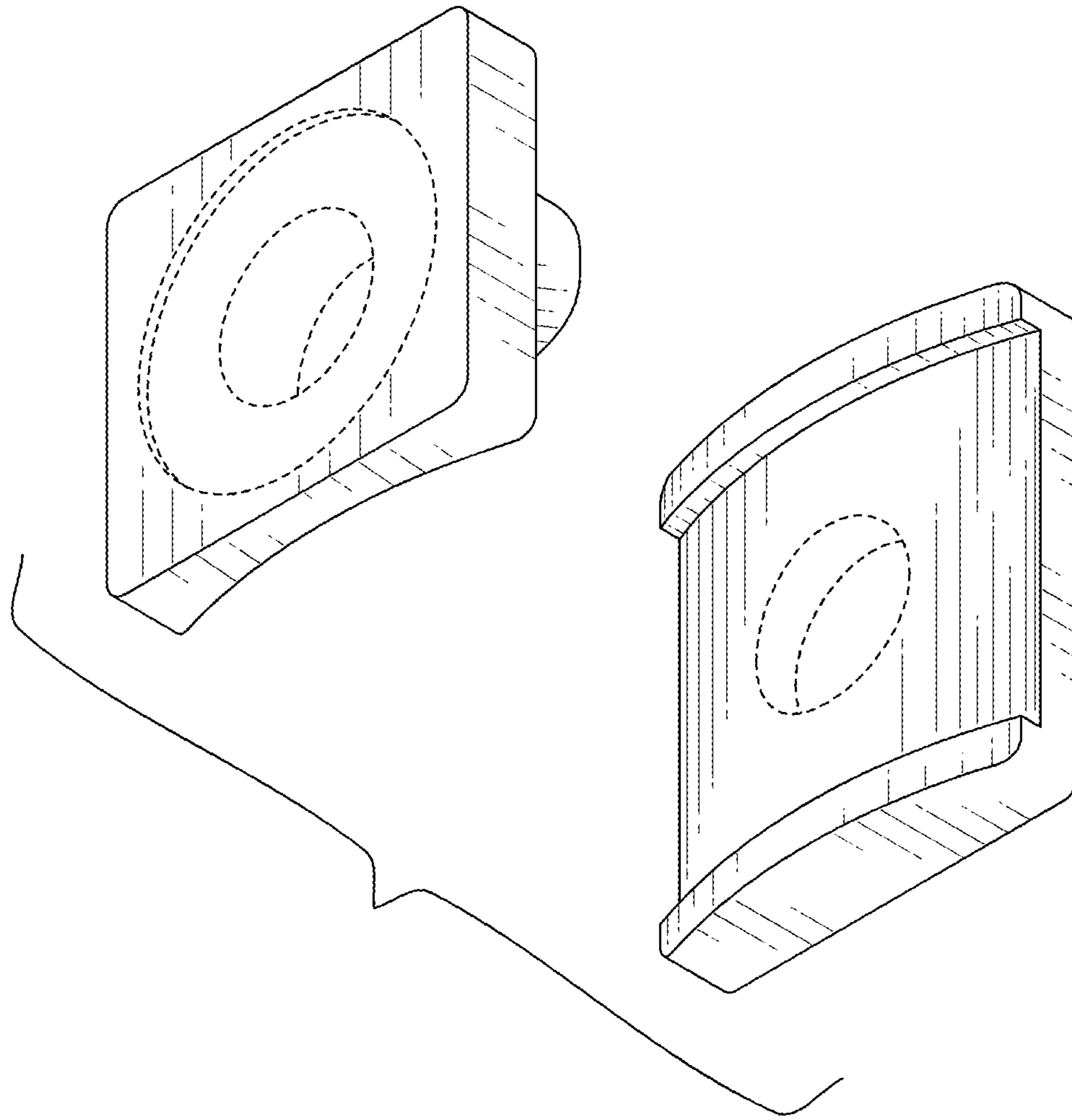


FIG. 2

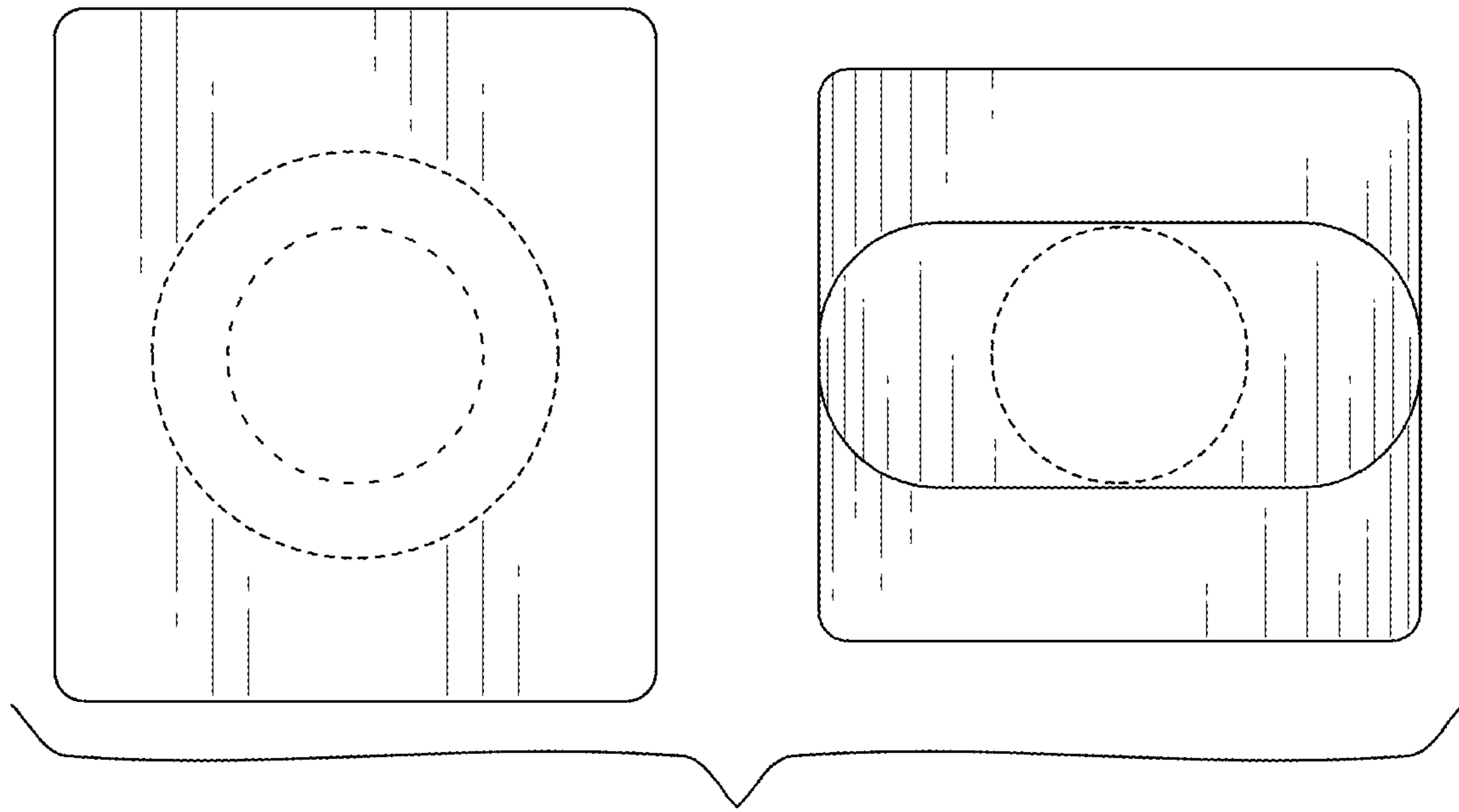


FIG. 3

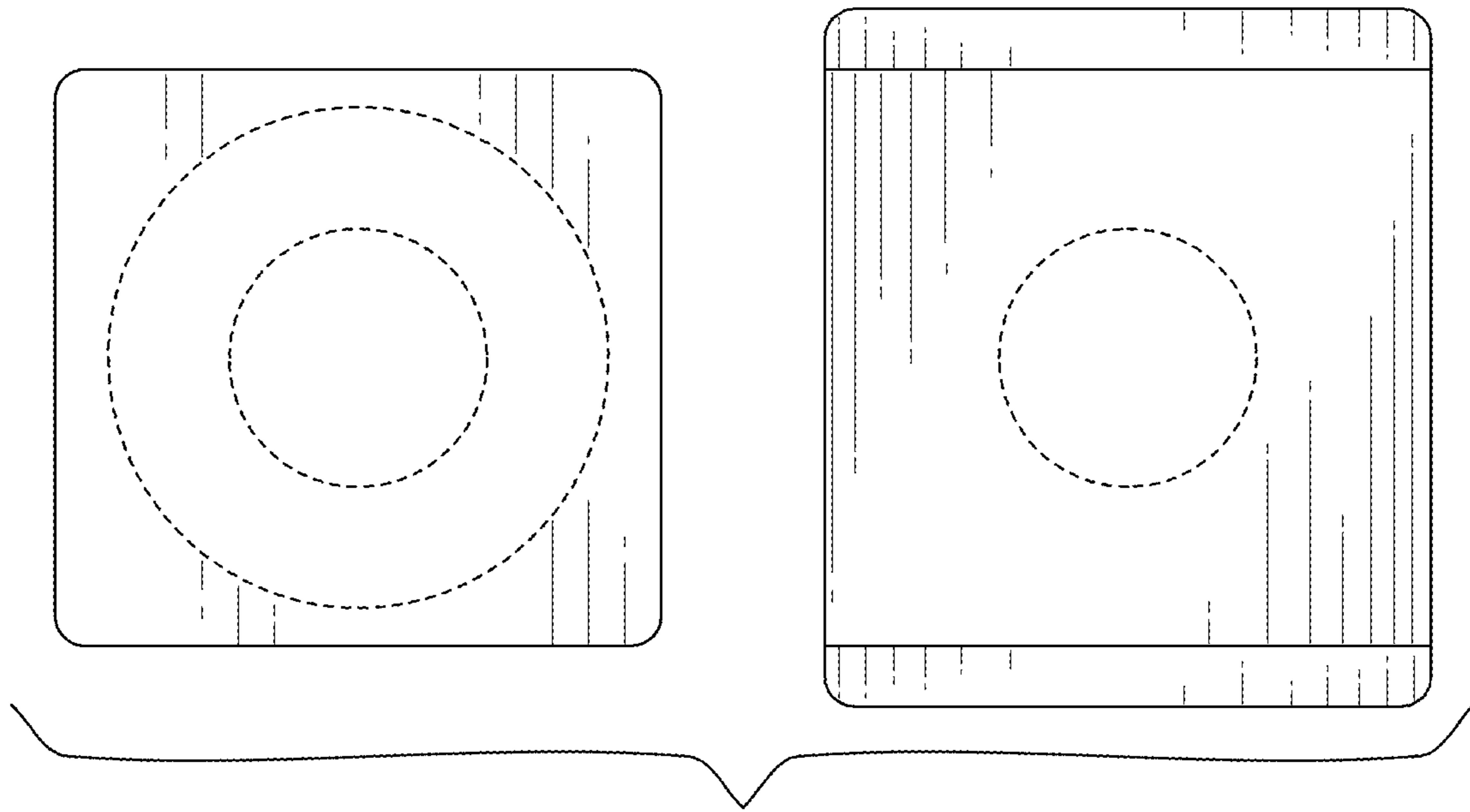


FIG. 4

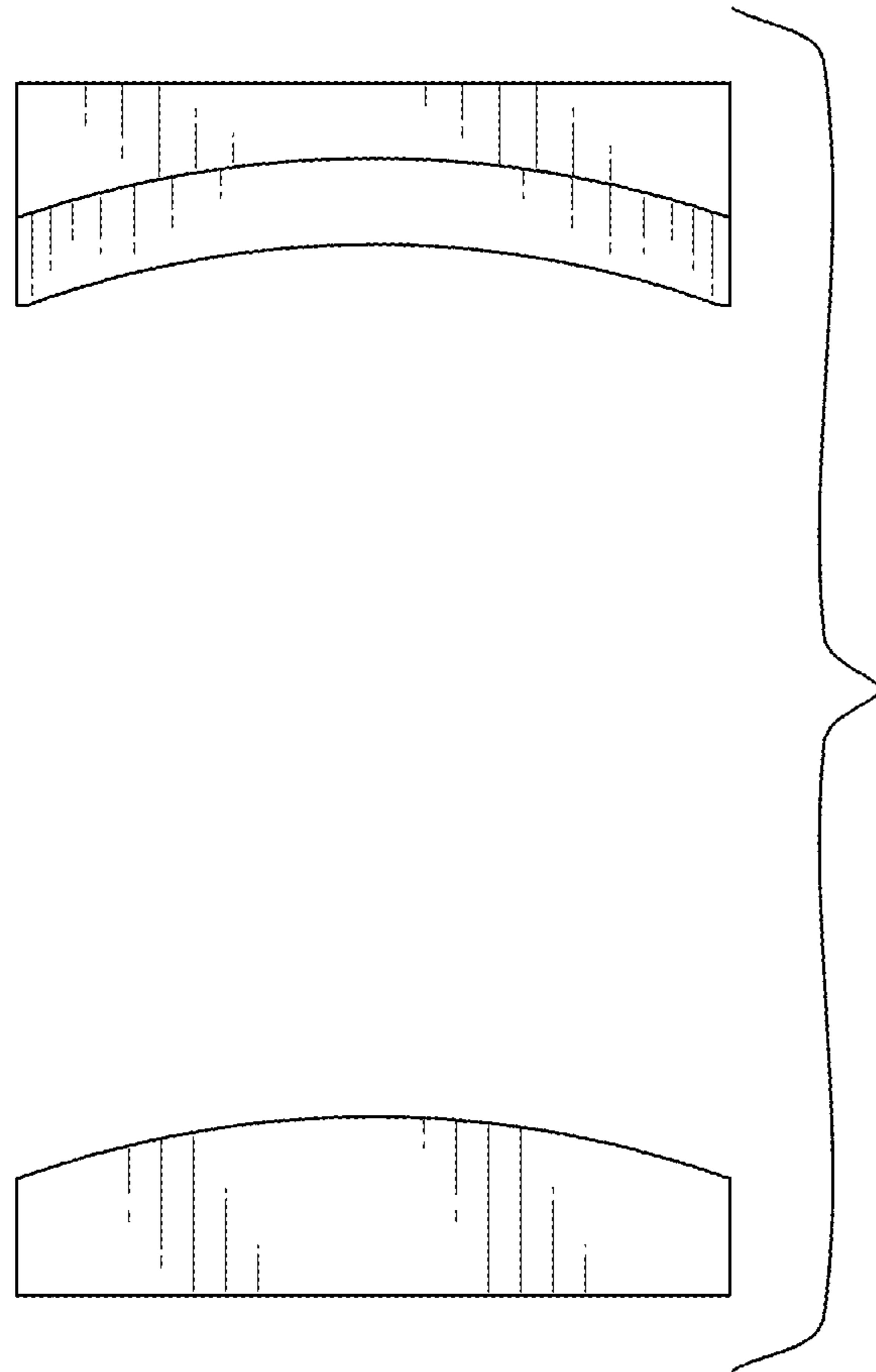


FIG. 5

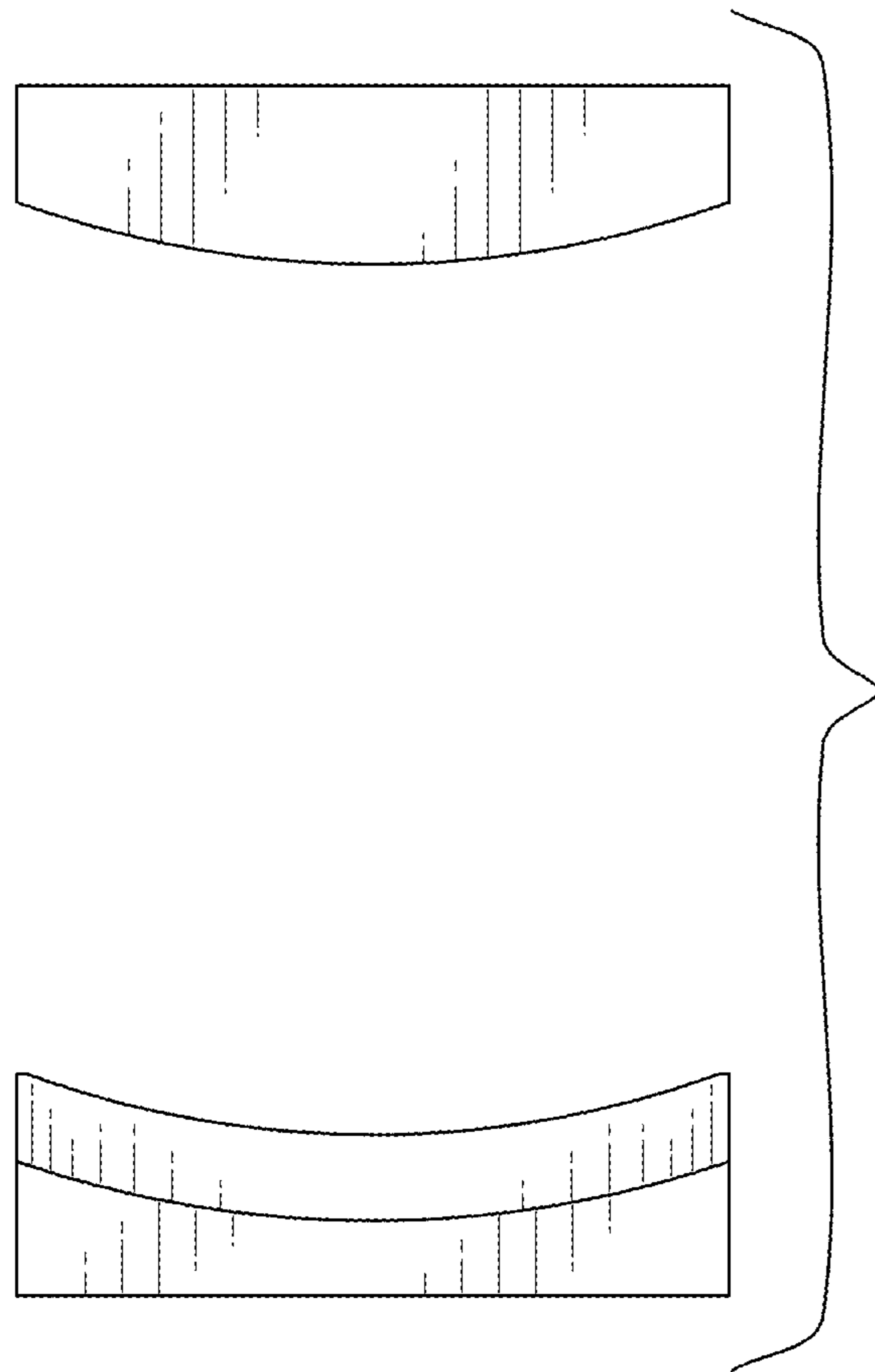


FIG. 6

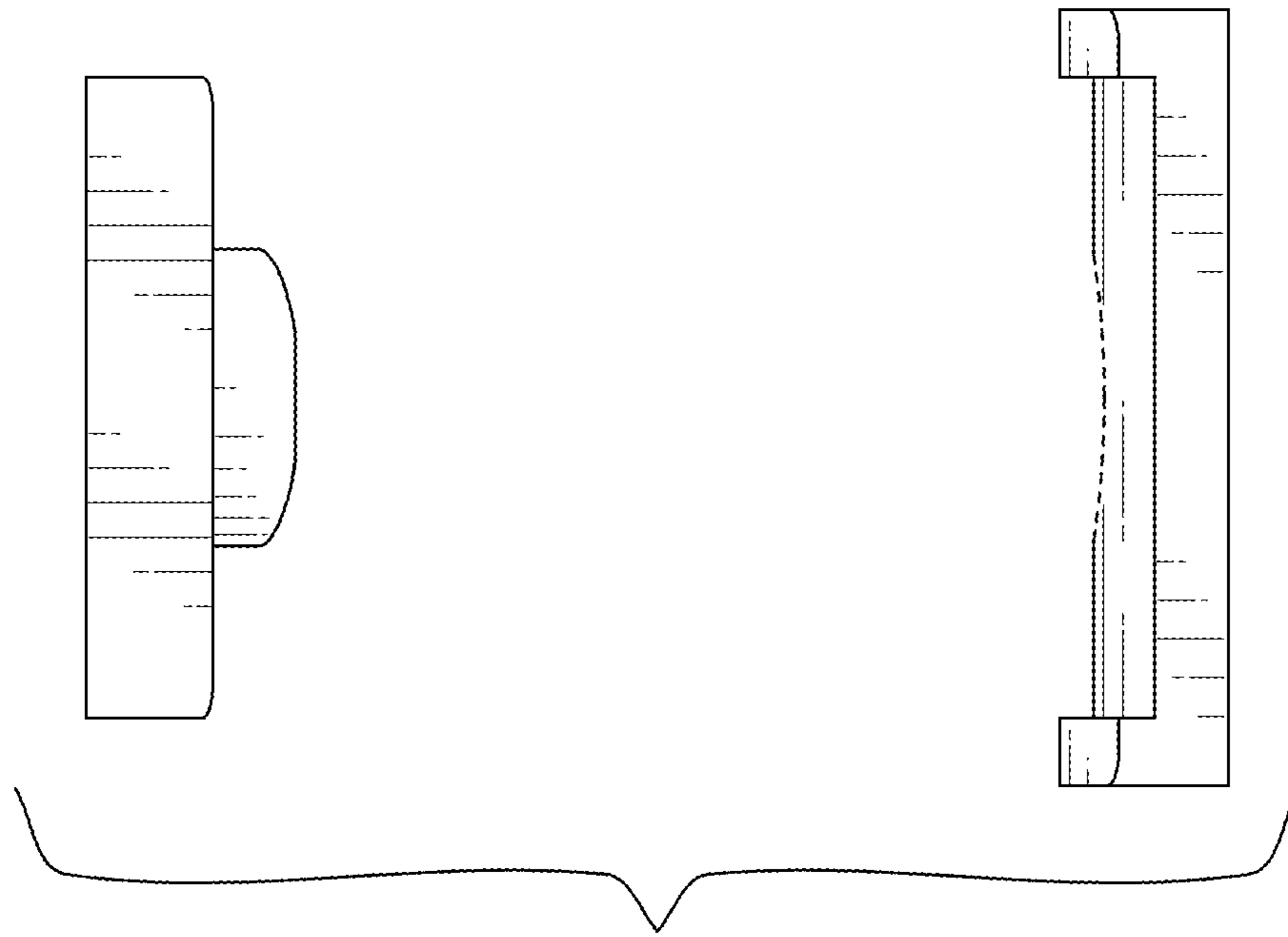


FIG. 7

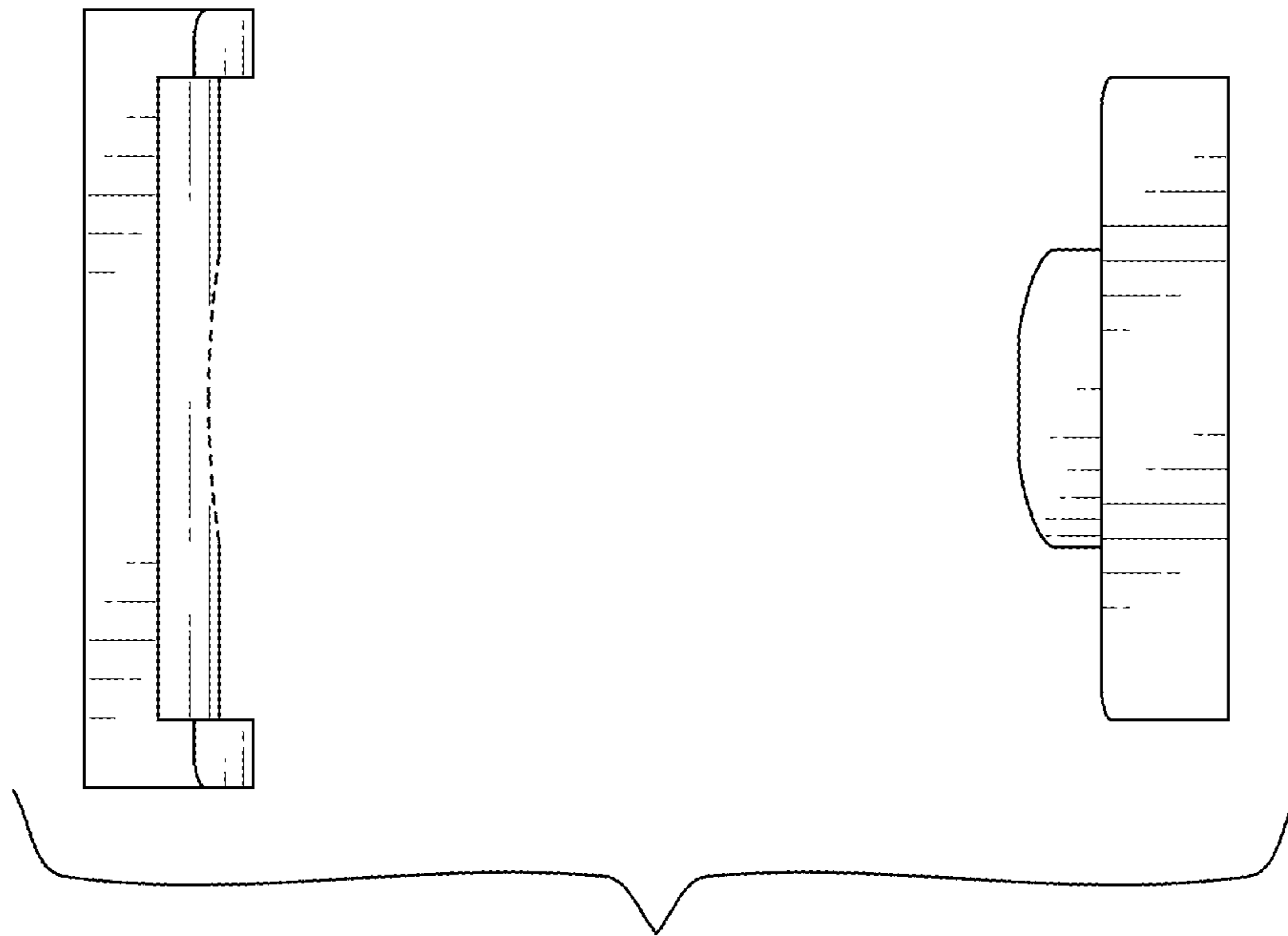


FIG. 8

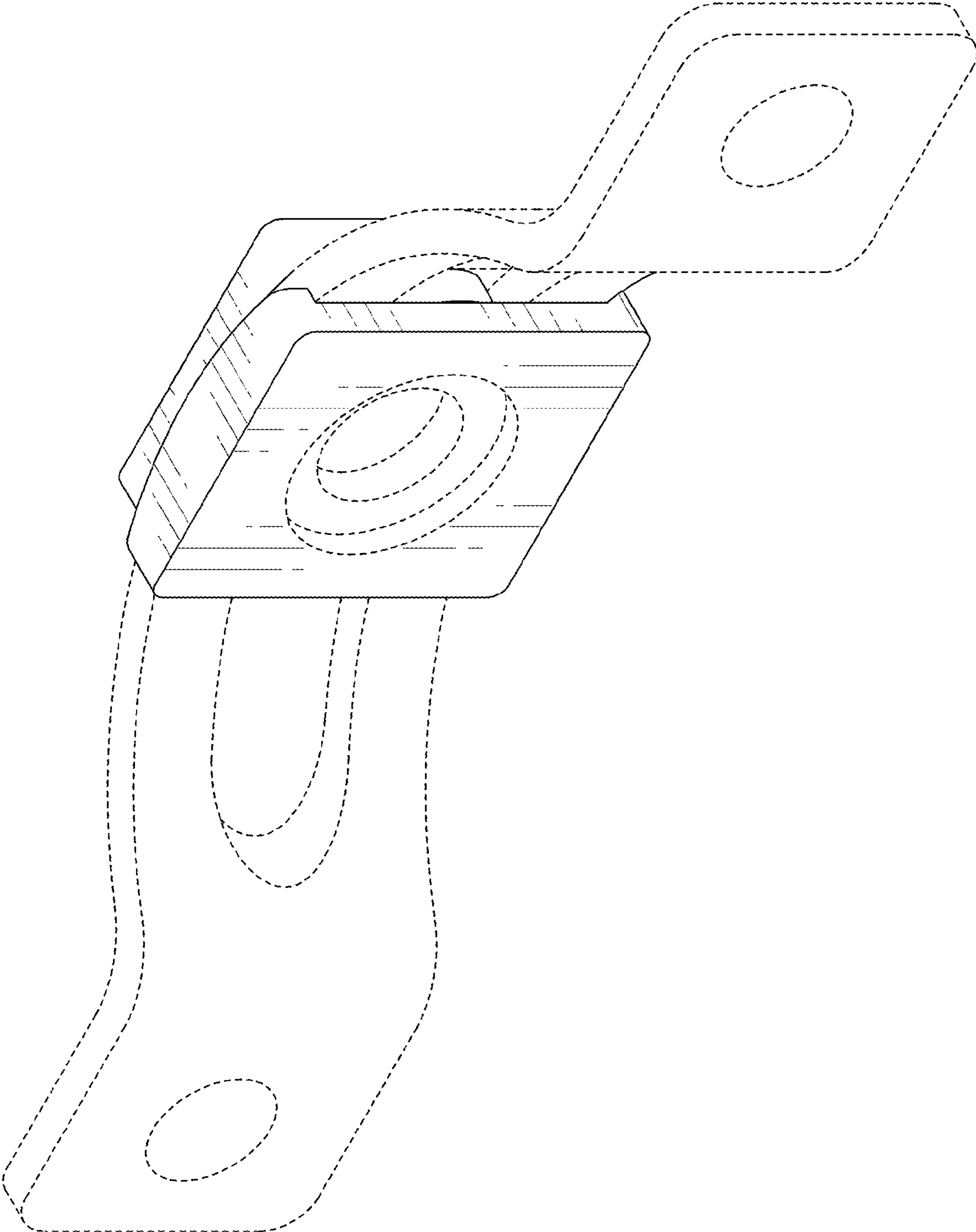


FIG. 9

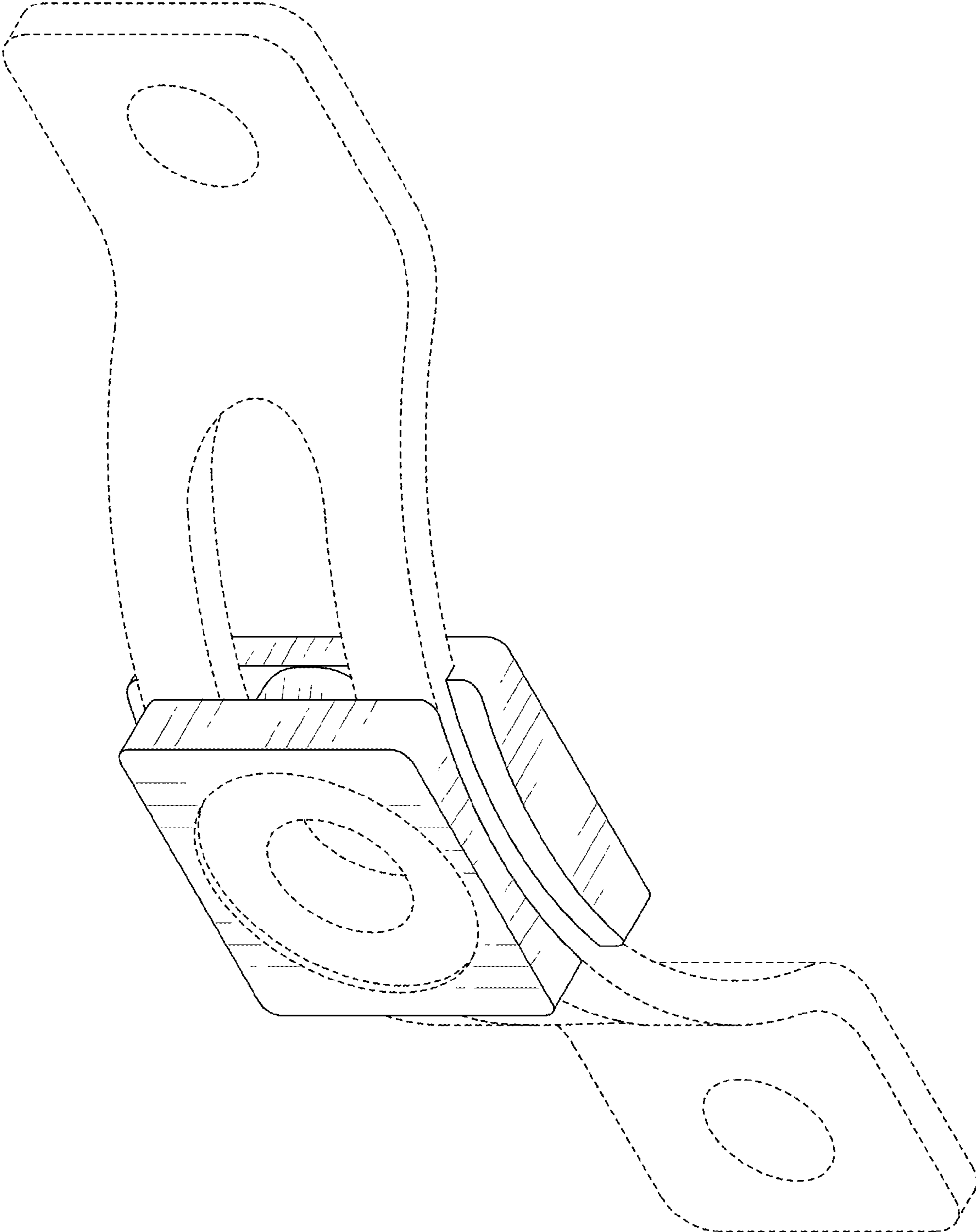


FIG. 10